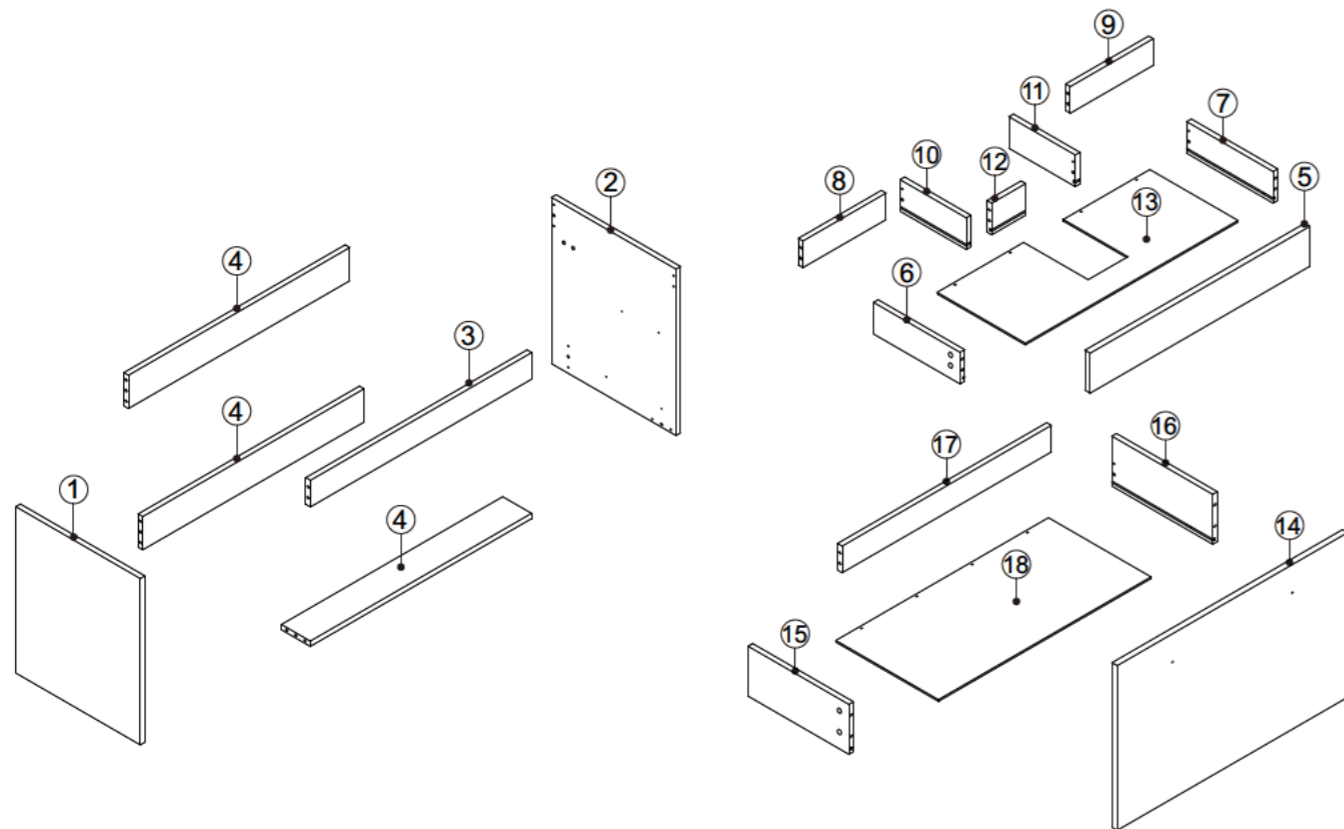
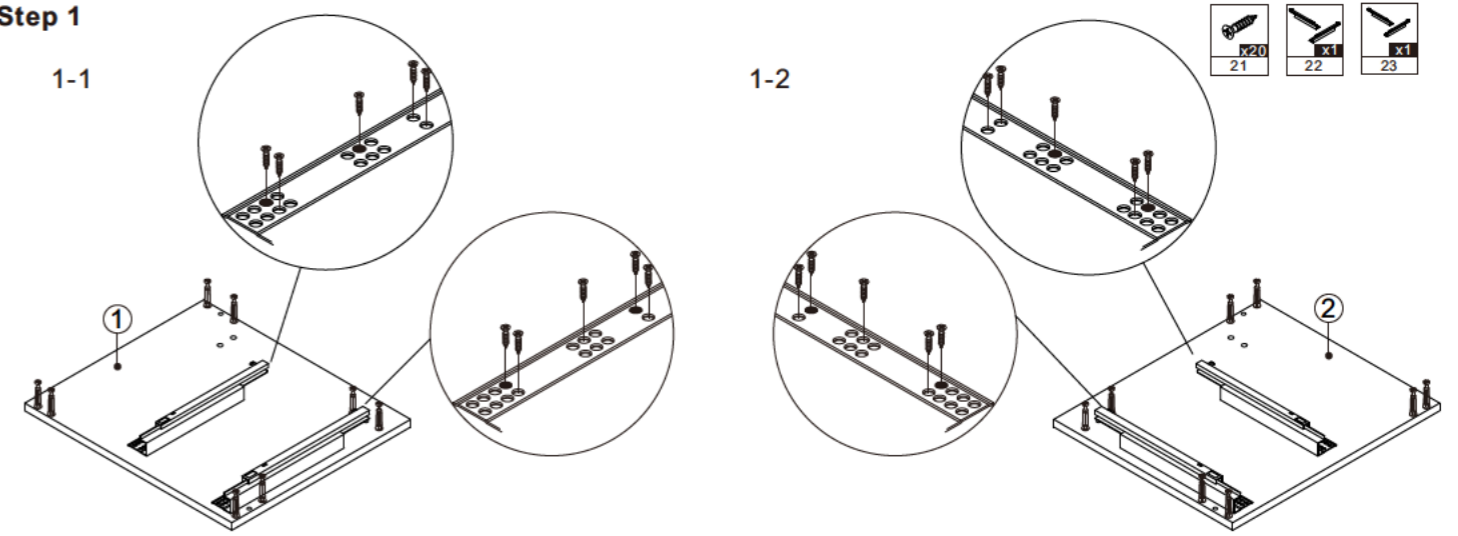


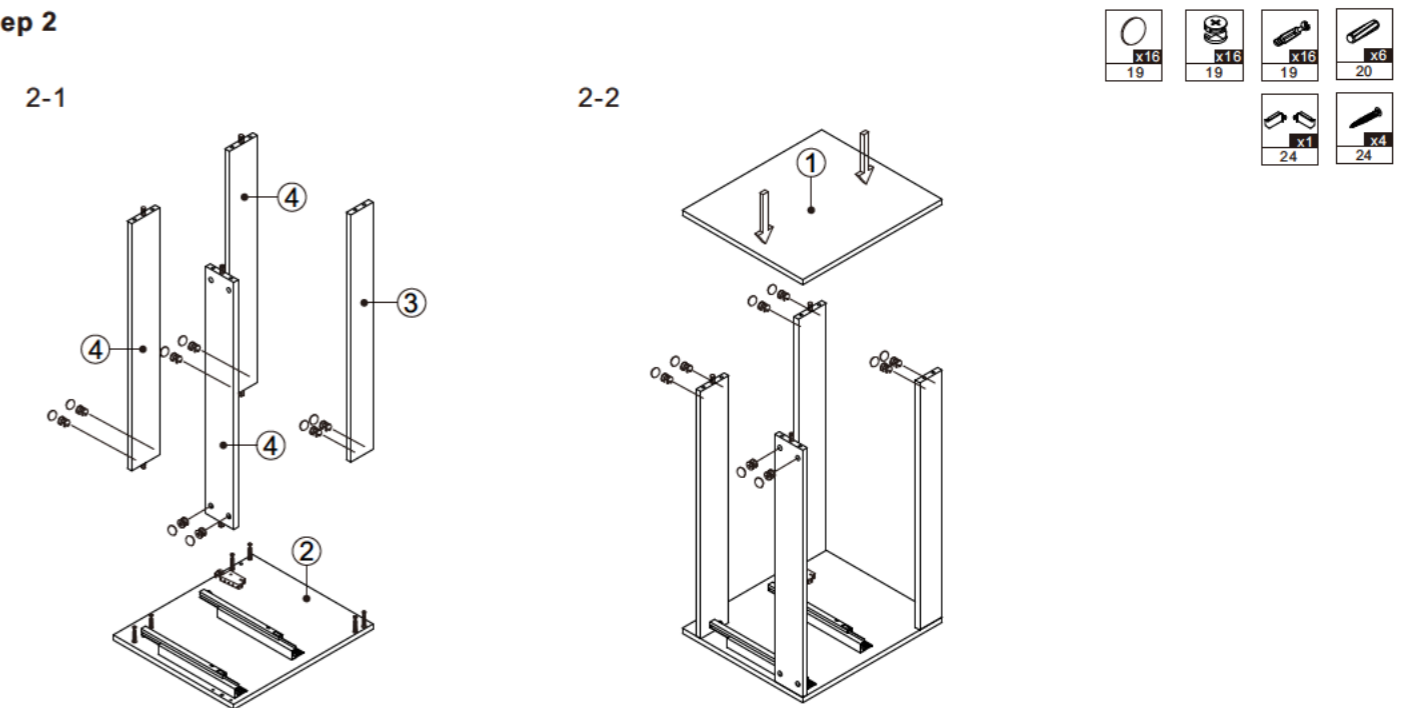
NO.	Description	Quantity
1	Left side board for cabinet	1
2	Right side board for cabinet	1
3	Connect board 3	1
4	Connect board 4	3
5	Drawer front 5	1
6	Left board for up drawer	1
7	Right board for up drawer	1
8	Back board for up drawer 8	1
9	Back board for up drawer 9	1
10	Left board for u shape	1
11	Right board for u shape	1
12	Back board for u shape	1
13	Bottom board for up drawer	1
14	Drawer front 14	1
15	Left board for drawer down	1
16	Right board for drawer down	1
17	Back board for drawer down	1
18	Bottom board for drawer down	1
19	○ ● 🔩 Three-in-one Connector	32
20	🪵 Wood Plug	14
21	🔩 Screws M4x14	20
22	L 🔩 R 🔩 Slider (350mm)	1
23	L 🔩 R 🔩 Slider (300mm)	1
24	L 🔩 R 🔩 🔩 🔩 Screws M4x25	1
25	🔩 🔩 Handle Screws M4x22	2
26	🔩 Handle	1
27	🔩 Screws M4x20	12
28	🔩 🔩 Screws M4.2x50 For Fix On The Wall	6



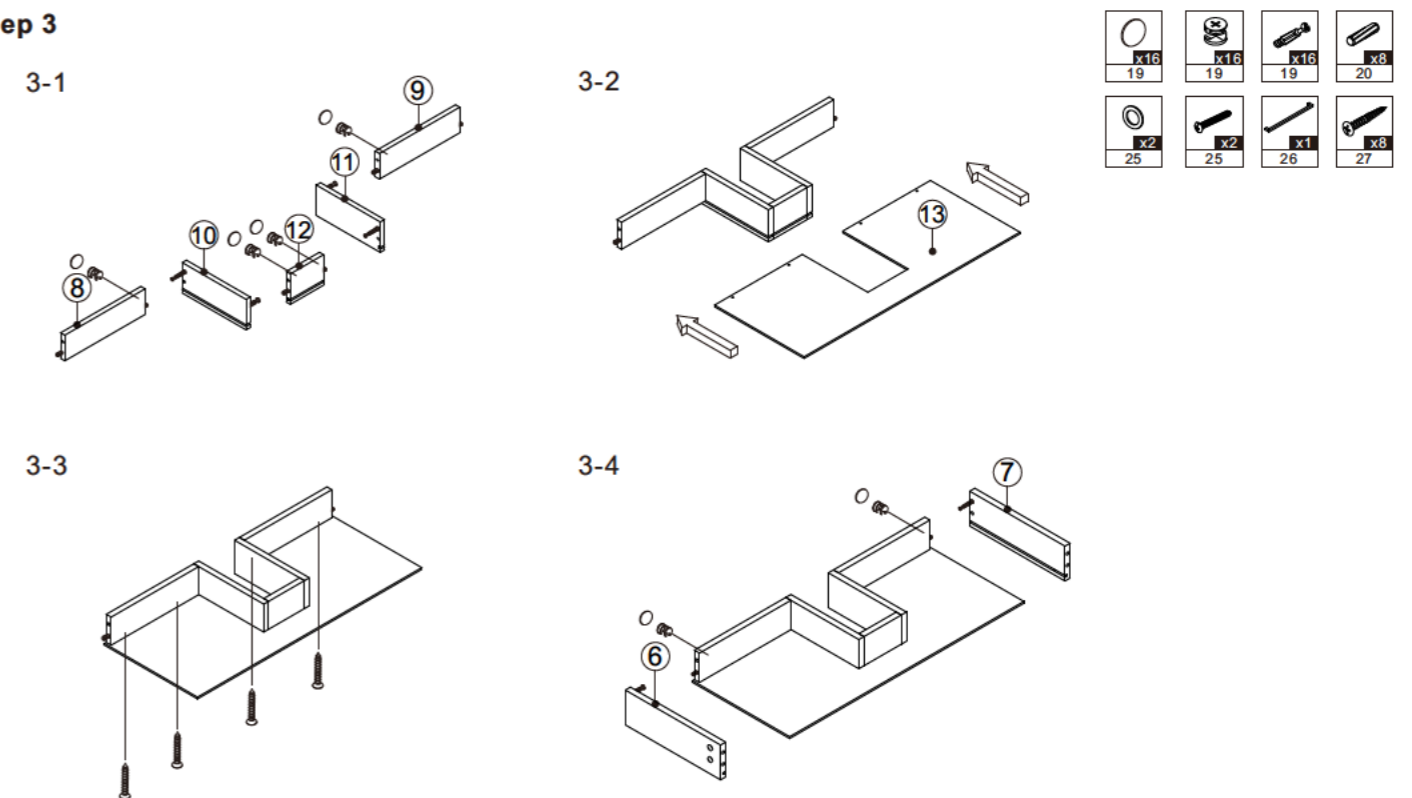
### Step 1



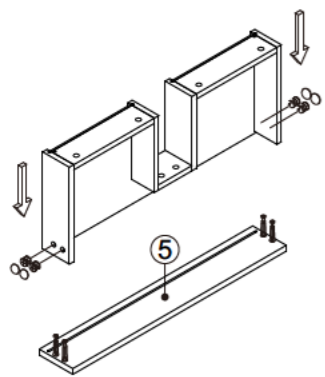
### Step 2



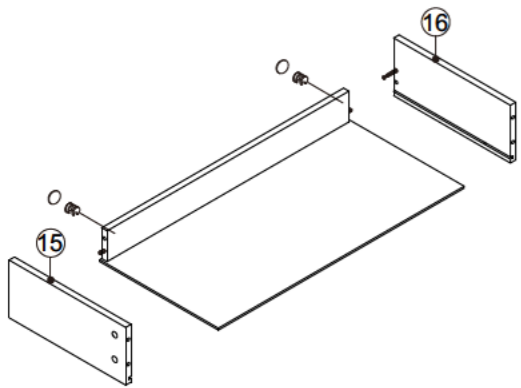
### Step 3



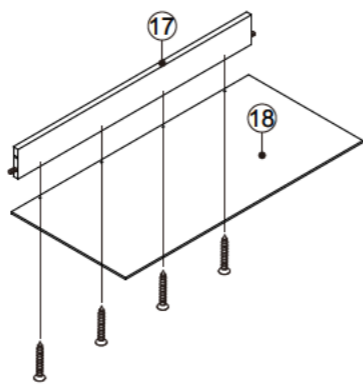
3-5



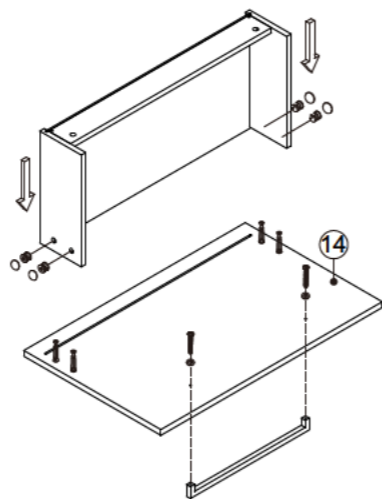
3-7



3-6

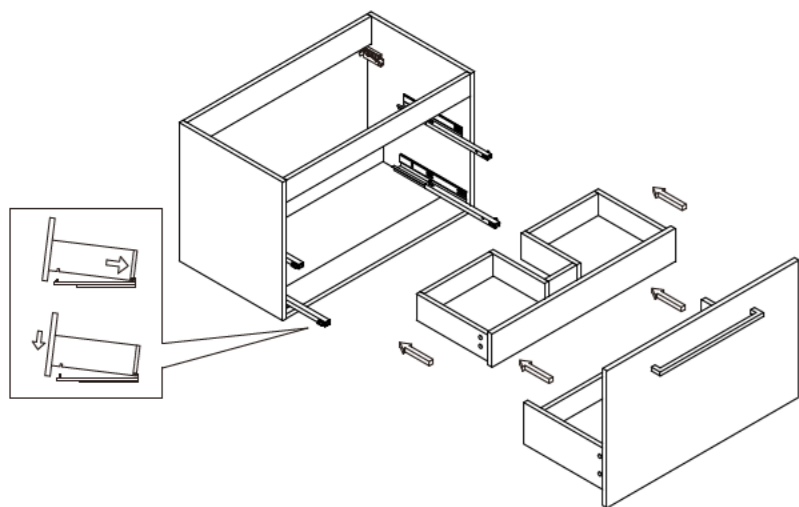


3-8

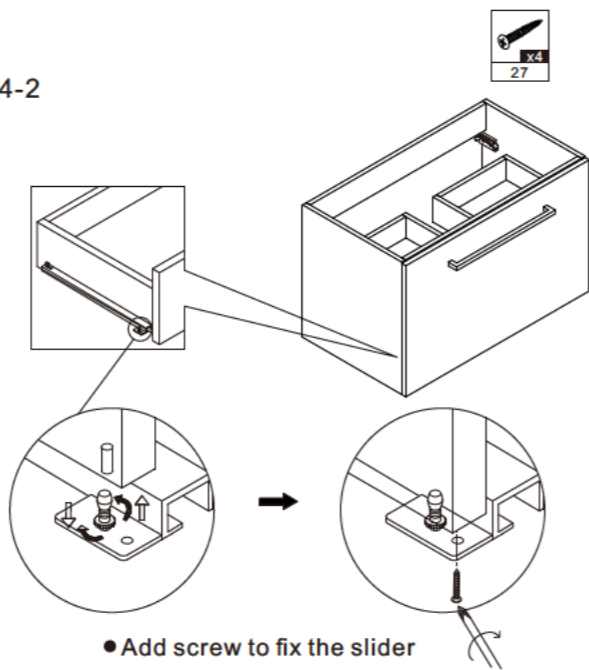


**Step 4**

4-1

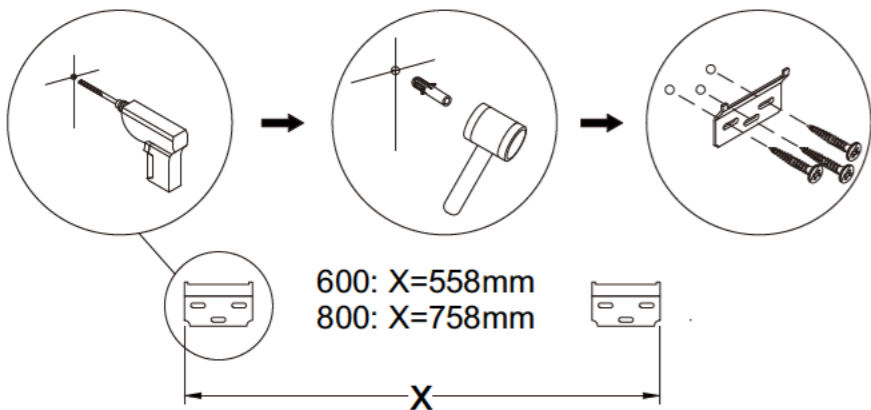


4-2



• Add screw to fix the slider

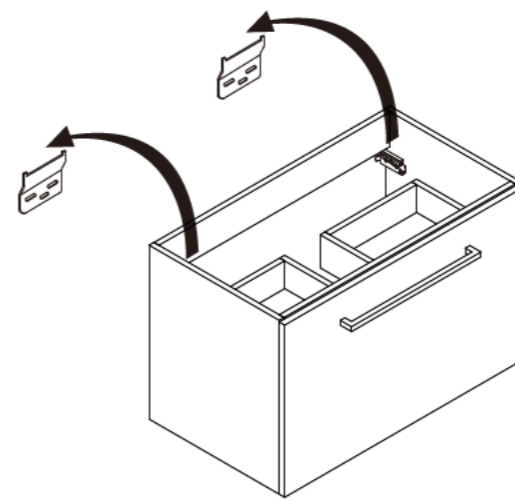
**Step 5**



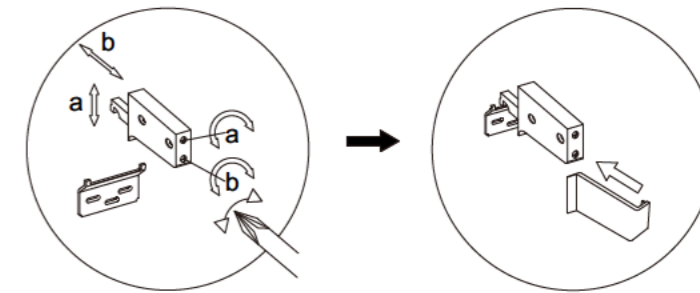
600: X=558mm  
800: X=758mm

X

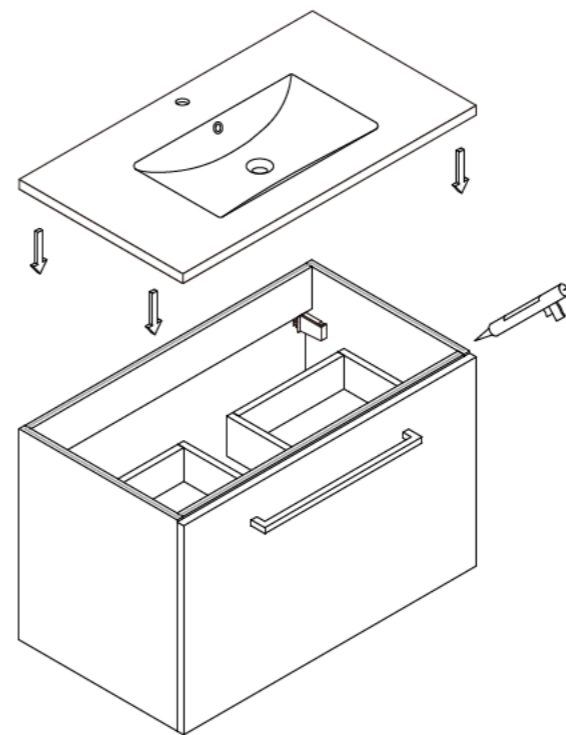
**Step 6**



• Through the screw to adjust position of the hanger  
a: up and down  
b: front and back

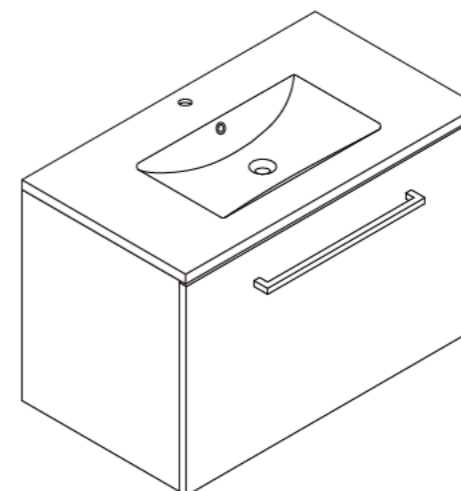


**Step 7**



• Install the basin on the cabinet with glue

**Step 8**



• Put into use after 24 hours.