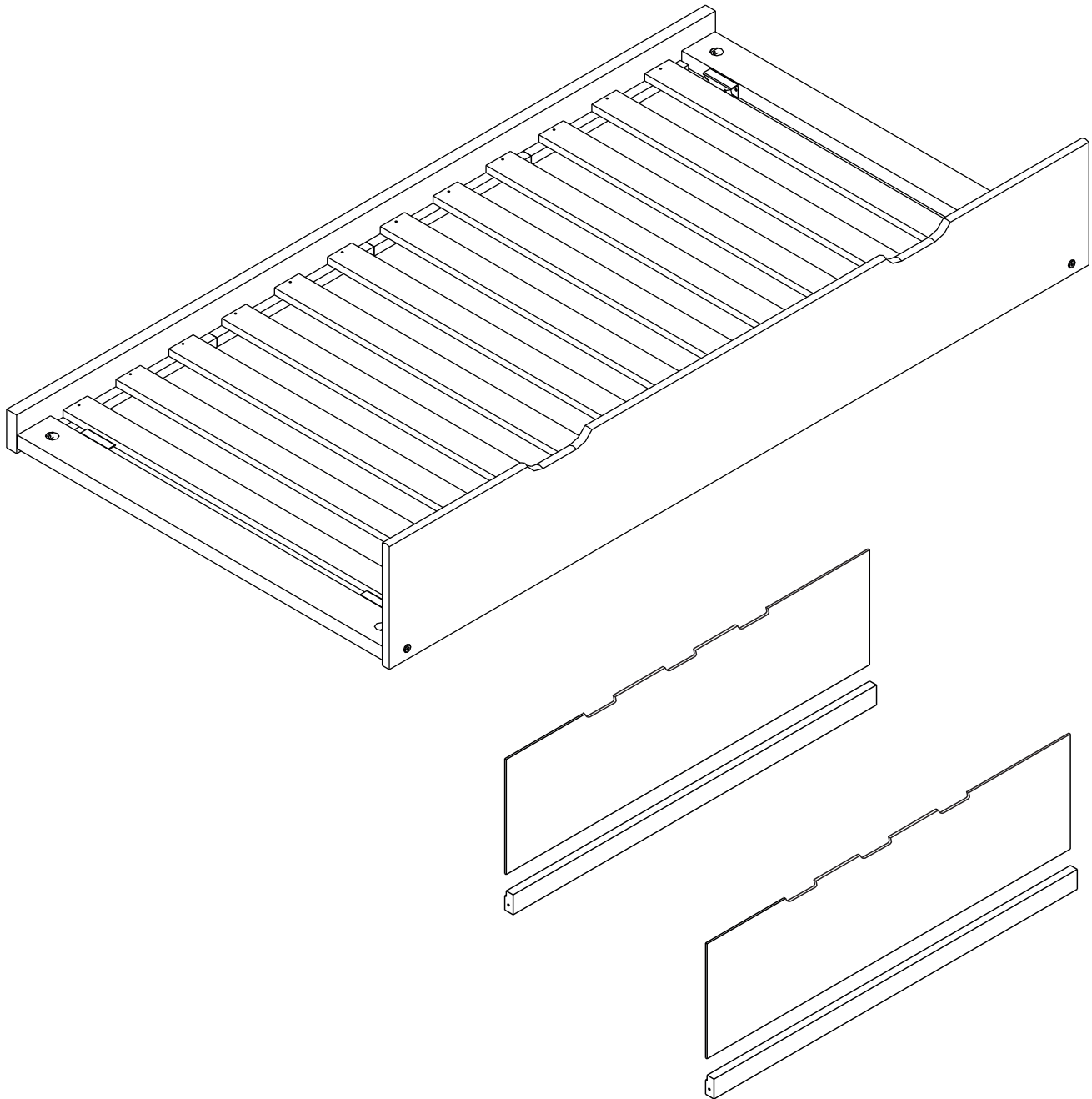


TRUNDLE + MODESTY PANEL - FULL

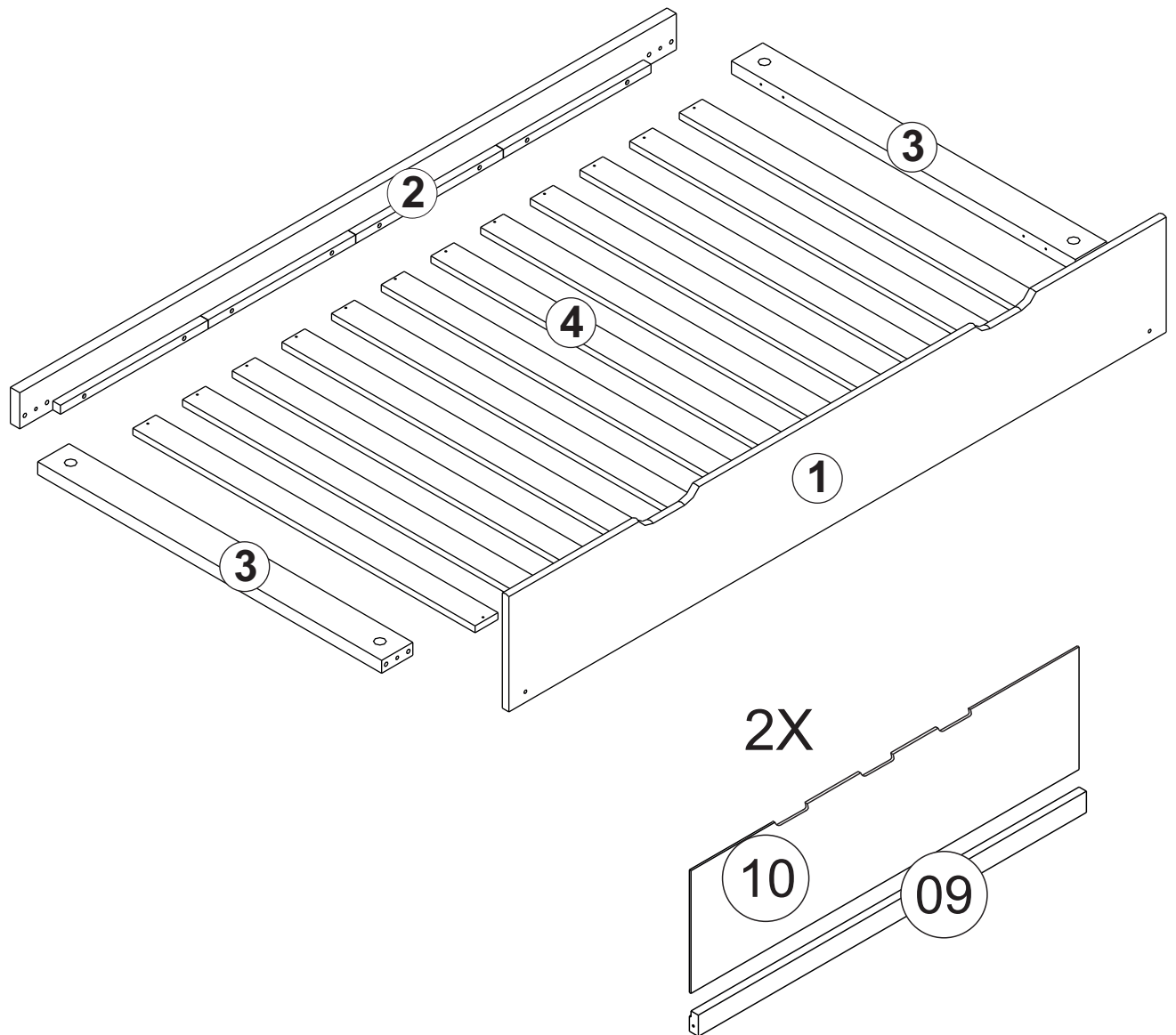


ATTENTION


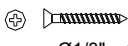
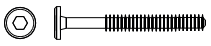
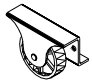
- 1 - Read and observe carefully all the assembly instructions before beginning assembly.
- 2 - The assembly of the product must be done on a clean and flat surface. We suggest to use the packaging to cover the floor to avoid damages.
- 3 - The screw must be tightened periodically.
- 4 - Avoid contact with sharp objects.
- 5 - Avoid banging pieces together.




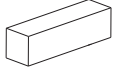


“Please! Confirm all parts and hardware are included to assemble!”



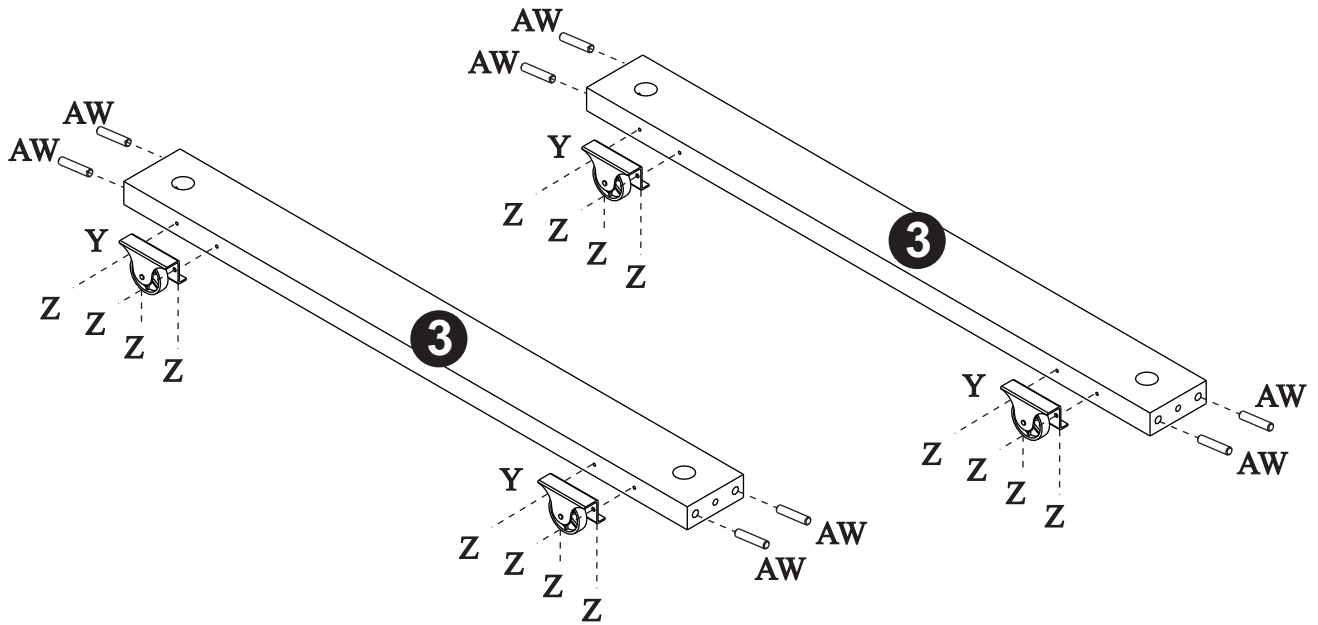
Hardware - Carton

F		01x
I	 Ø1/8" x 1 3/8"	28x
K	 Ø1/4" x 3 1/8"	04x
Y	 1 15/16"	04x

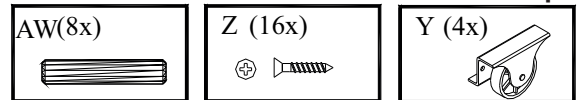
Z	 Ø1/8" x 5/8"	32x
AW	 Ø 3/8" x 1 3/8"	08x
BC	 1/4"	04x
BH		02x

ASSEMBLY INSTRUCTIONS

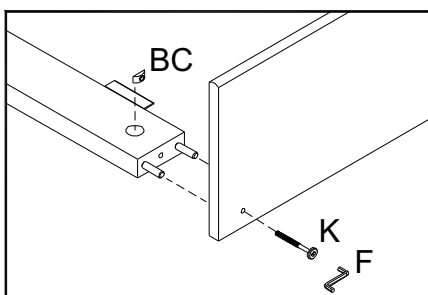
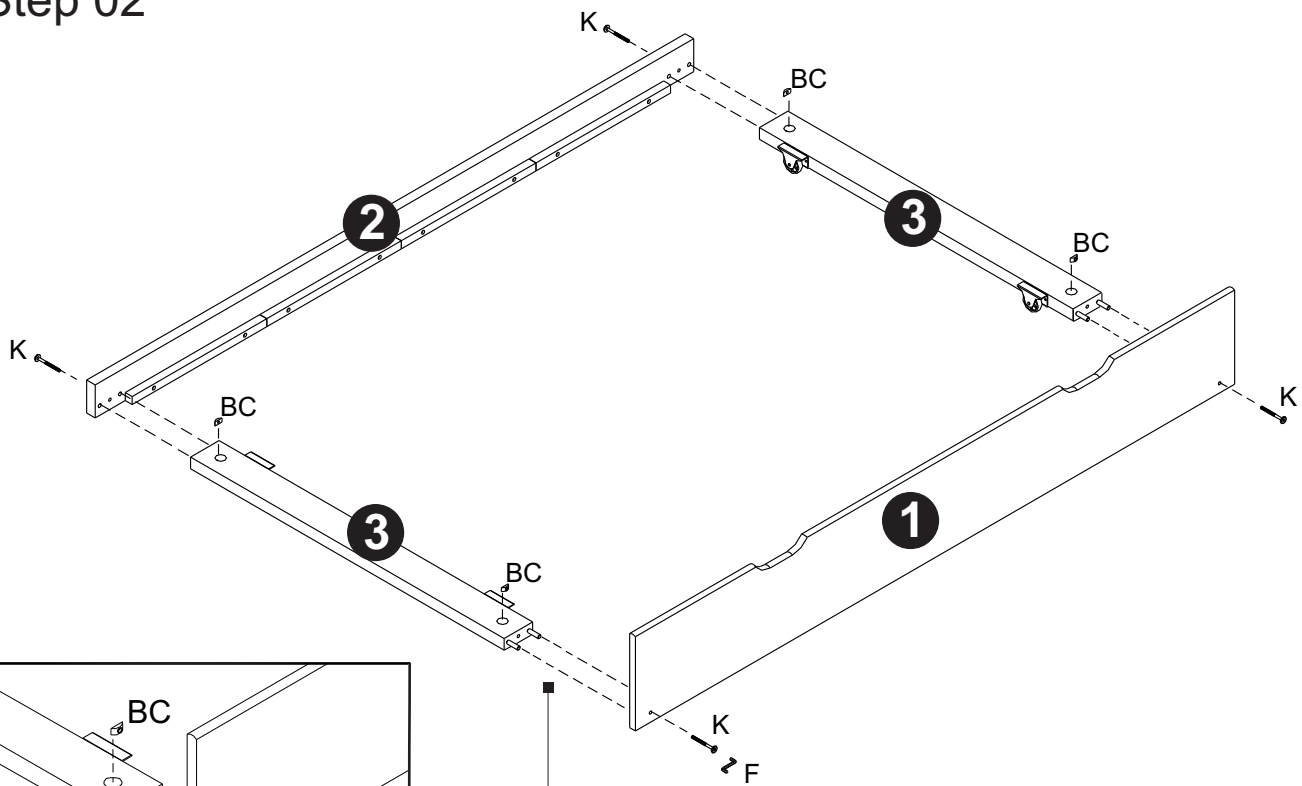
Step 01



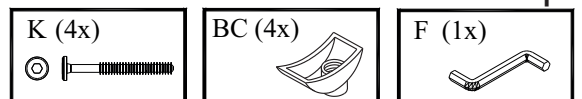
Parts needed for this step:



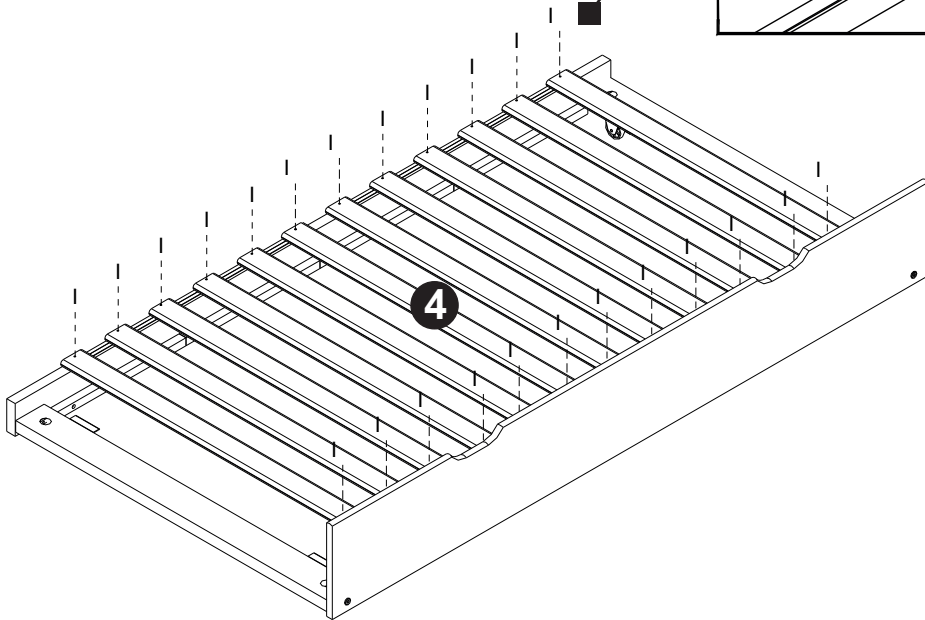
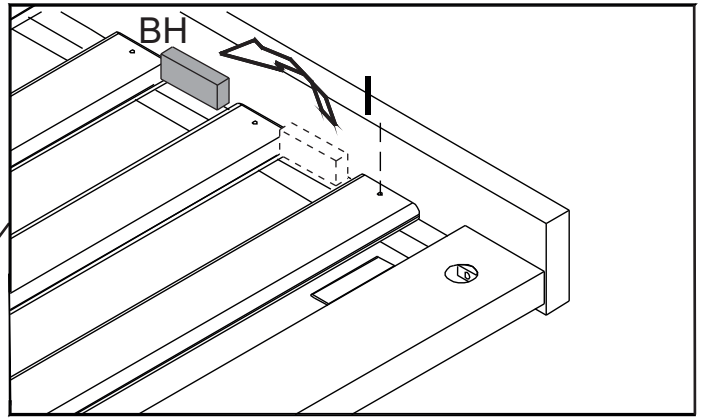
Step 02



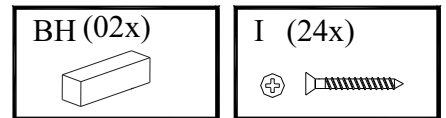
Parts needed for this step:



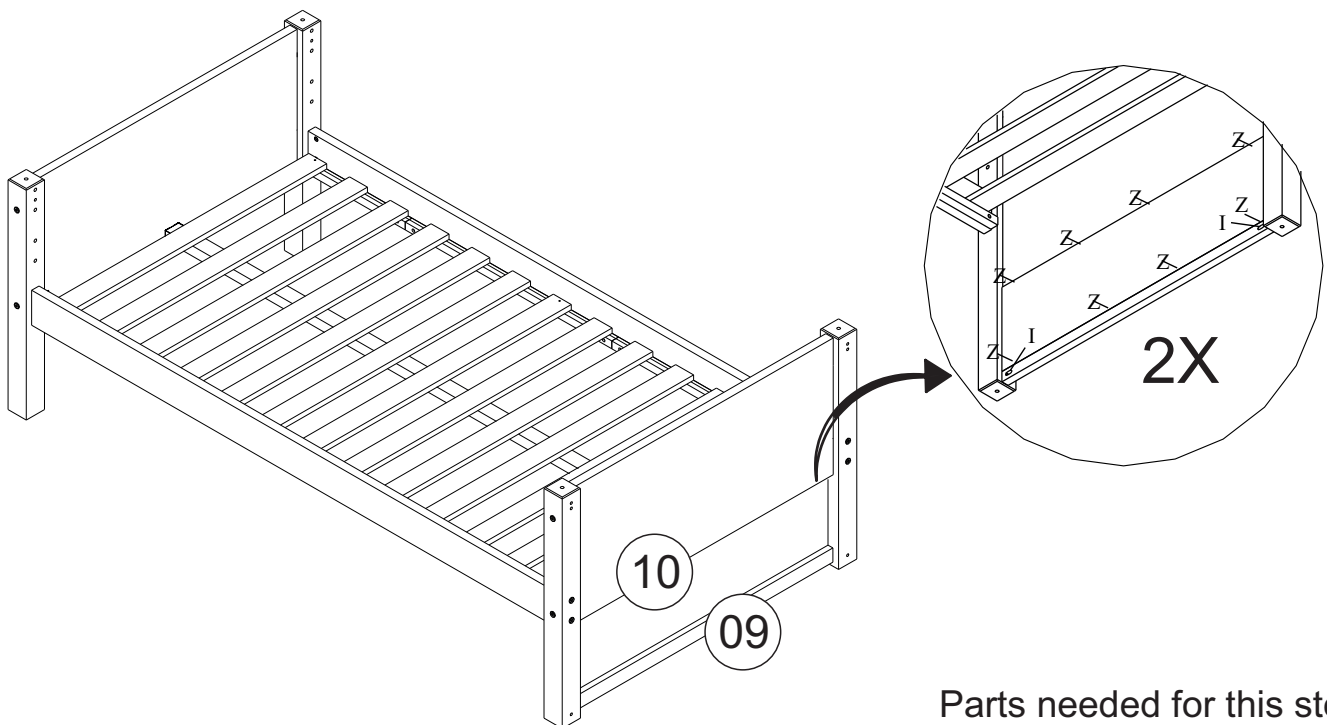
Step 03



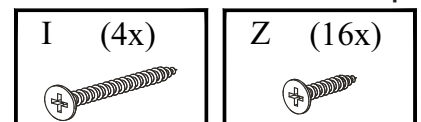
Parts needed for this step:



Step 04



Parts needed for this step:



Step 05

