

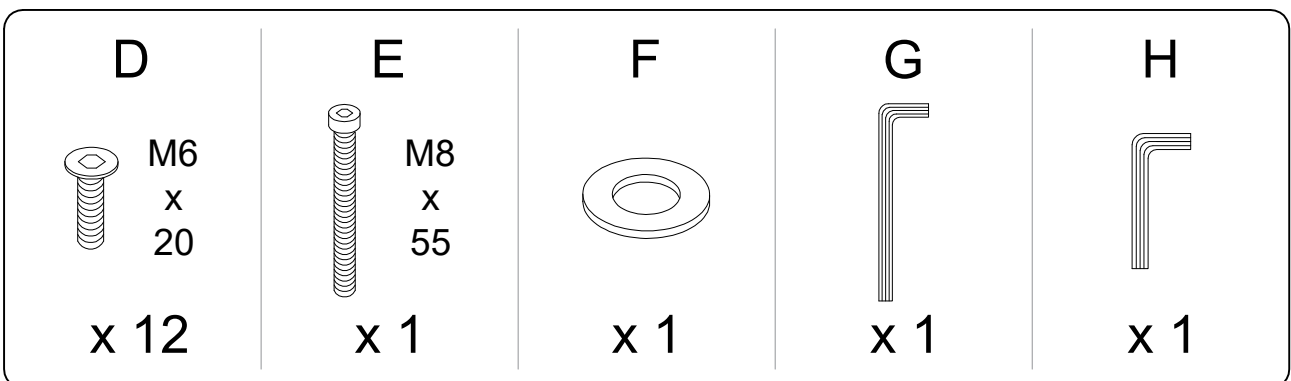
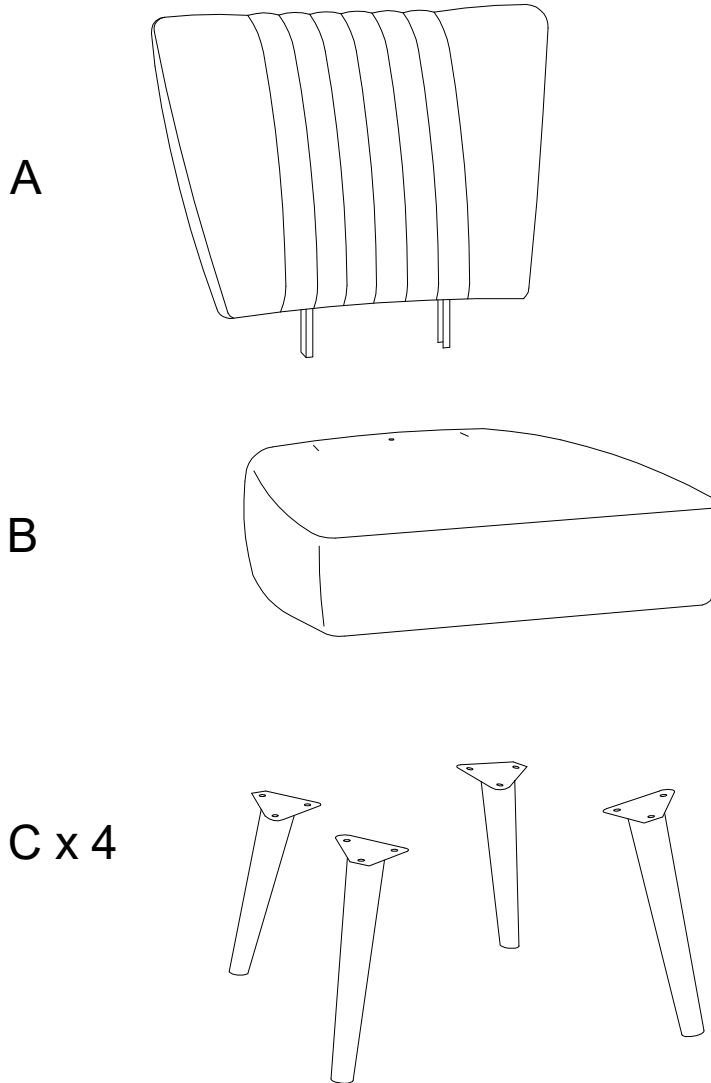
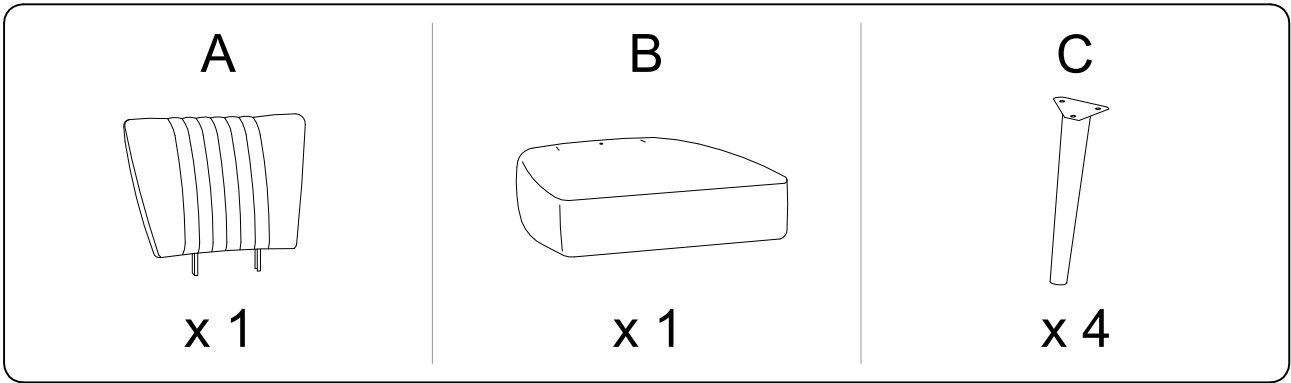
Assembly instructions for the chair, including warnings, time, and person requirements.

Warning 1: Do not use a power drill. Use the provided L-shaped bracket.

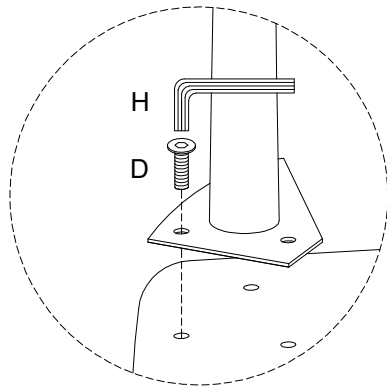
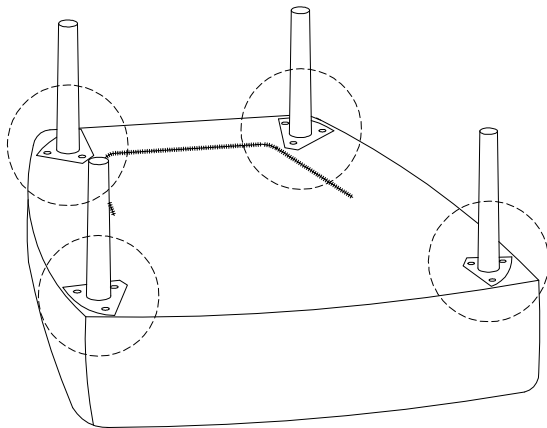
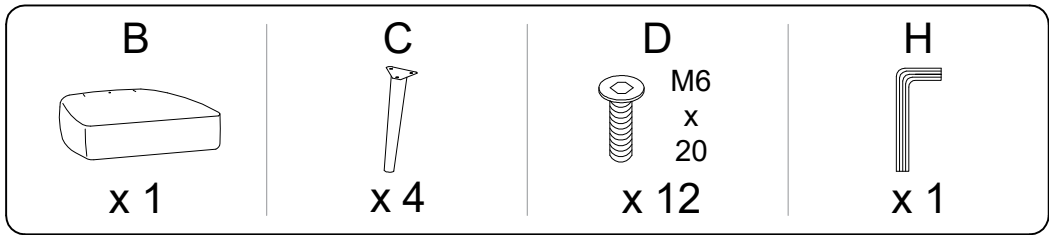
Warning 2: Do not use a screwdriver on the seat base. Use the provided rectangular base.

Time: 15'

Personnel: 1



1



2

