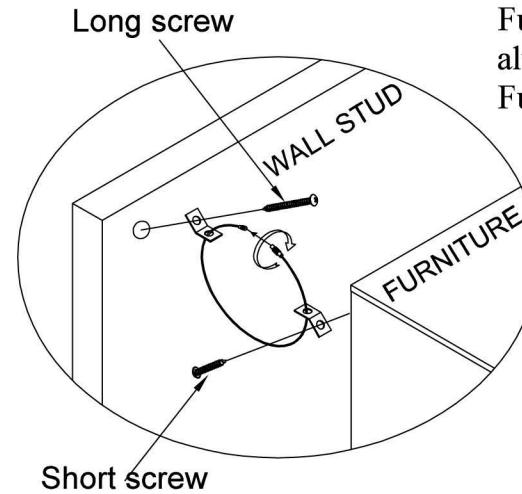
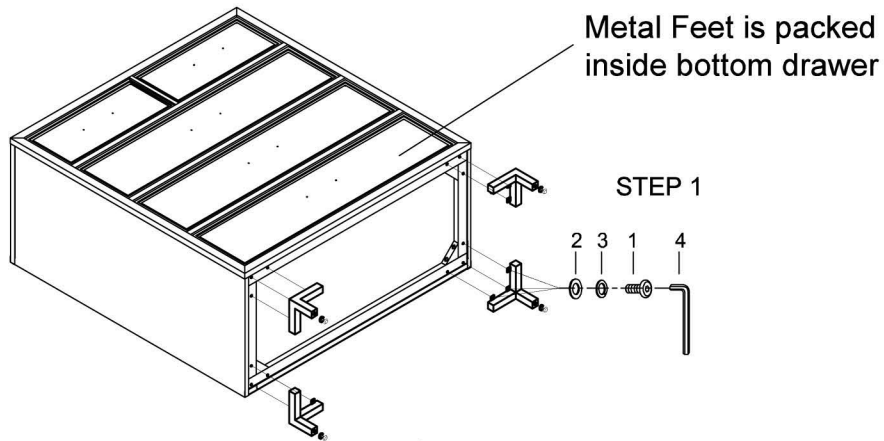


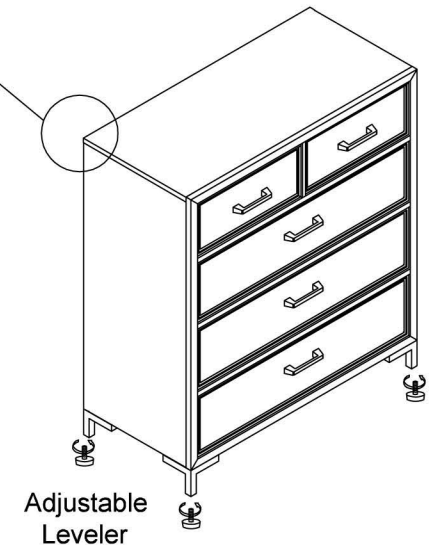
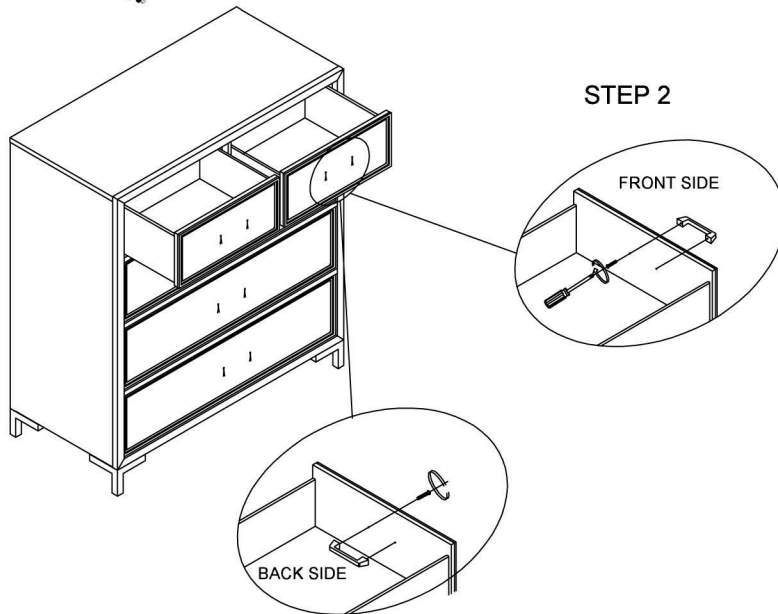
ASSEMBLY INSTRUCTION

CHEST

Thank you for purchasing this quality product. Be sure to check all packing material carefully for small parts which may have come loose inside the carton during shipment. Identify and count all parts and compare with the parts list below.



Furniture Tipping Restraint must always be used to prevent the Furniture from tipping.



NO	PICTURE	HARDWARE LIST	DESCRIPTION	Q.TY
①		BOLT	Ø5/16**3/4"	12
②		WASHER	Ø5/16**19mm	12
③		LOCK WASHER	Ø5/16"	12
④		ALLEN KEY	Ø5/16"	1
⑤		TIPPING RESTRAINT		1
(A)		CHEST		1
(B)		METAL FEET		4