

ASSEMBLY INSTRUCTIONS

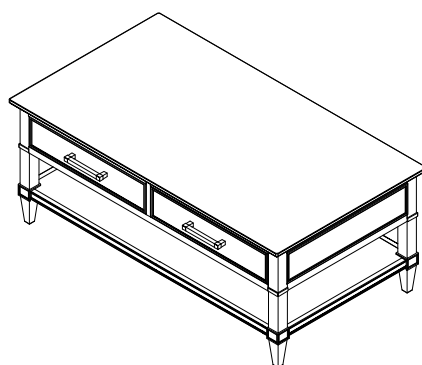


Figure 1

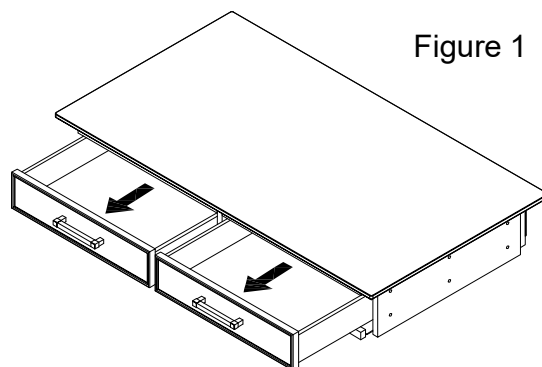


Figure 2

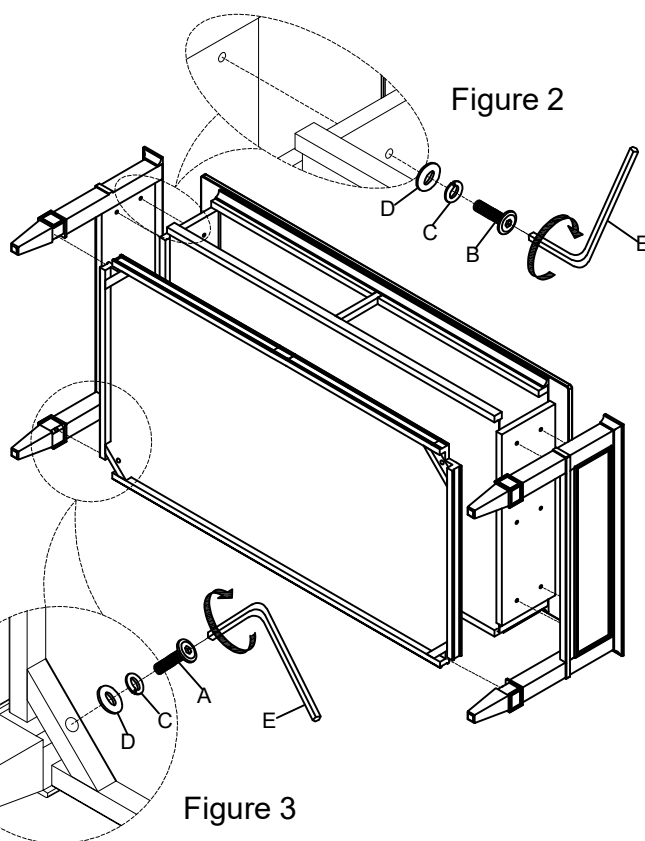


Figure 3

TOOLS REQUIRED:

Allen Key (supplied, part # E)

BEFORE YOU START:

1. Check the parts against the parts list to make sure all items are present.
2. Assemble your furniture on a soft, flat surface to avoid scratching the finish.
3. **CAUTION:** Do not over tighten screws, nuts or bolts during assembly.
4. Your furniture may require occasional tightening.

INSTRUCTIONS:

1. Move the Drawer out of the Top frame (See Figure 1)
2. Attach Side Frame to Top frame and Lower Shelf.
Tighten all bolts. (See Figure 2,3).
3. Set the table up-right, put Drawer back to Table Frame.
(See Figure 4).
4. Level it by adjusting the leveler. (See figure 5).

Figure 4

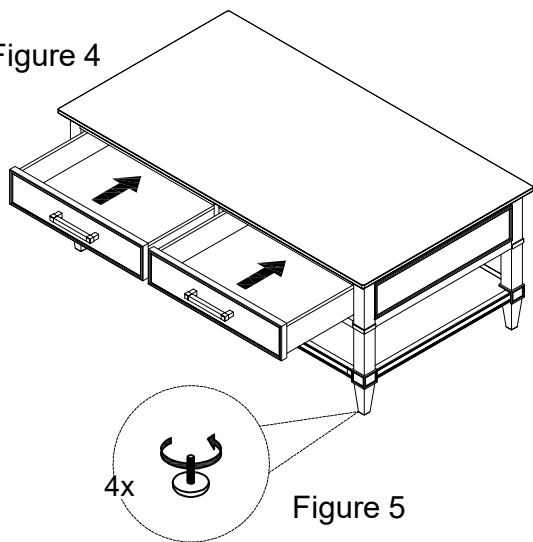







Figure 5

4x



NO.	HARDWARE LIST		
A		Allen Head Bolt Ø5/16x1-1/2"	4
B		Allen Head Bolt Ø5/16x1-1/4"	12
C		Lock Washer Ø5/16"	16
D		Flat Washer Ø5/16"	16
E		Allen Key 4mm	1