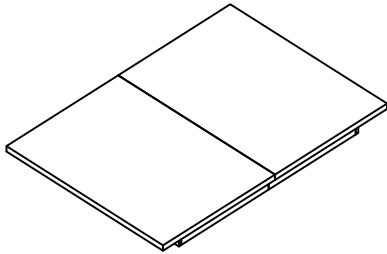


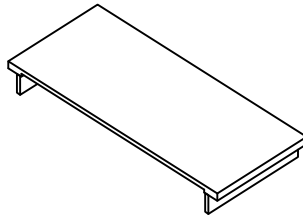
# ASSEMBLY INSTRUCTION

DO NOT FULLY TIGHTEN BOLTS UNTIL THE ENTIRE ITEM IS COMPLETELY ASSEMBLED

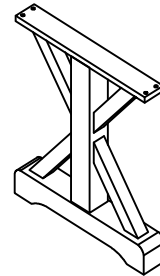
**A=1PC**



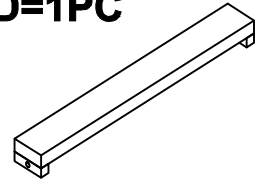
**B=1PC**



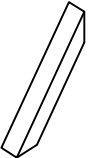
**C=2PCS**







**D=1PC**

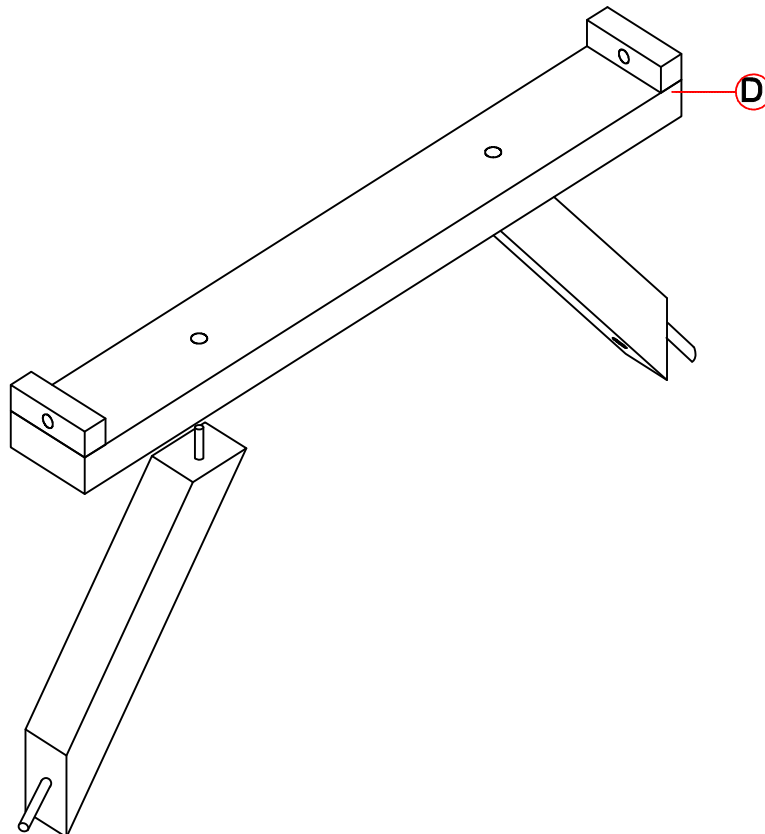


**E=2PCS**

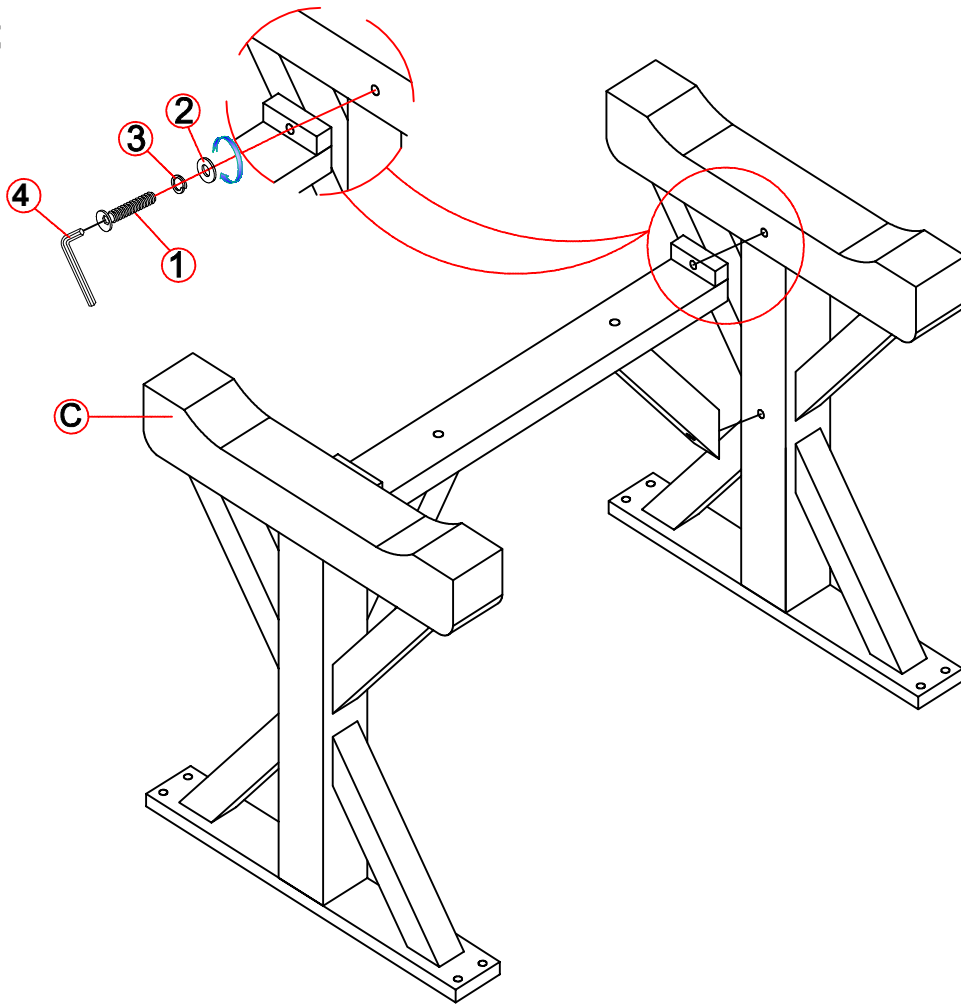


No.	Description.		Q.Ty
1	<b>BOLT Ø 1/4" x 45mm</b>		<b>12Pcs</b>
2	<b>FLAT WASHER</b>		<b>12Pcs</b>
3	<b>SPRING WASHER</b>		<b>12Pcs</b>
4	<b>ALLEY KEY</b>		<b>1 Pcs</b>

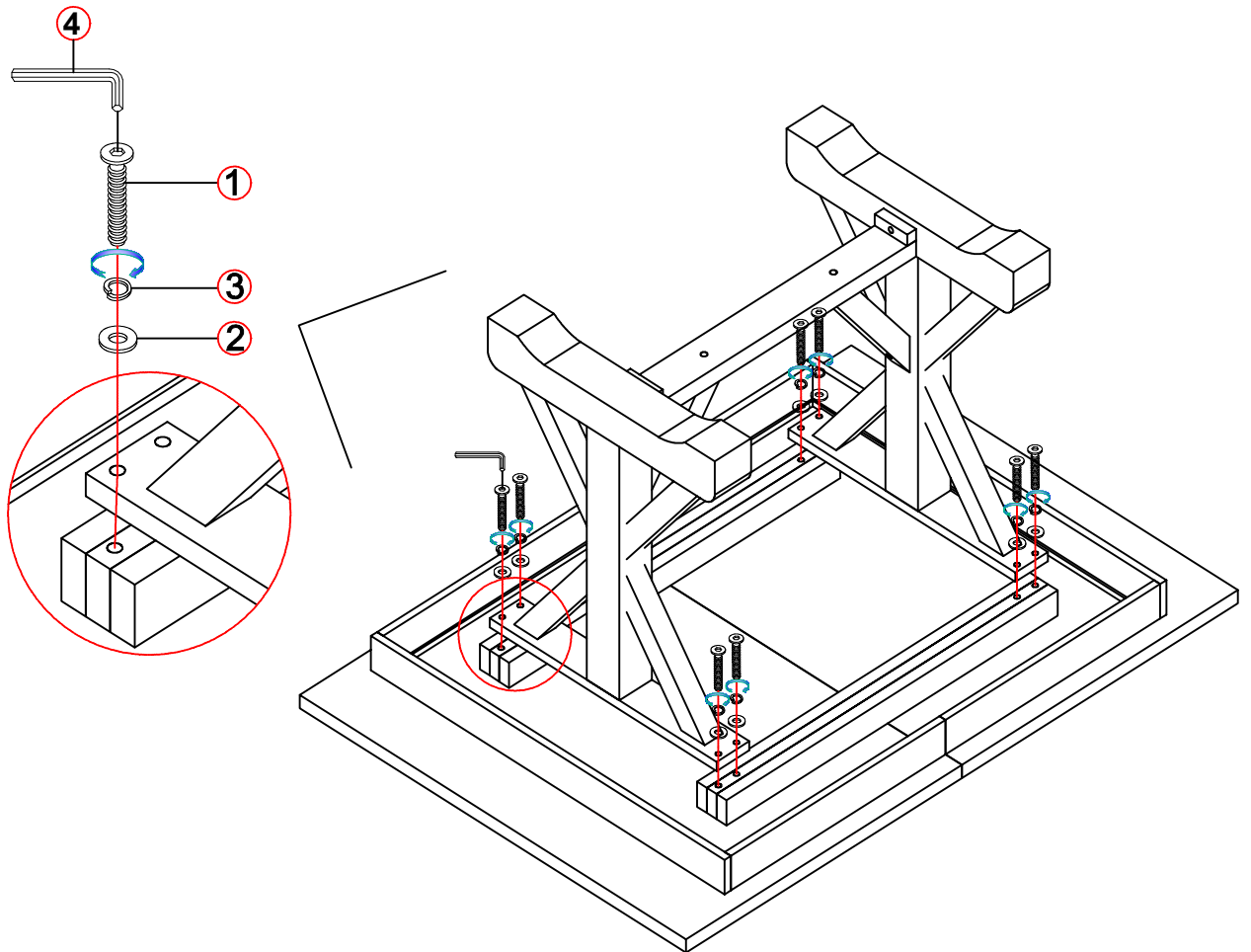
## STEP 1



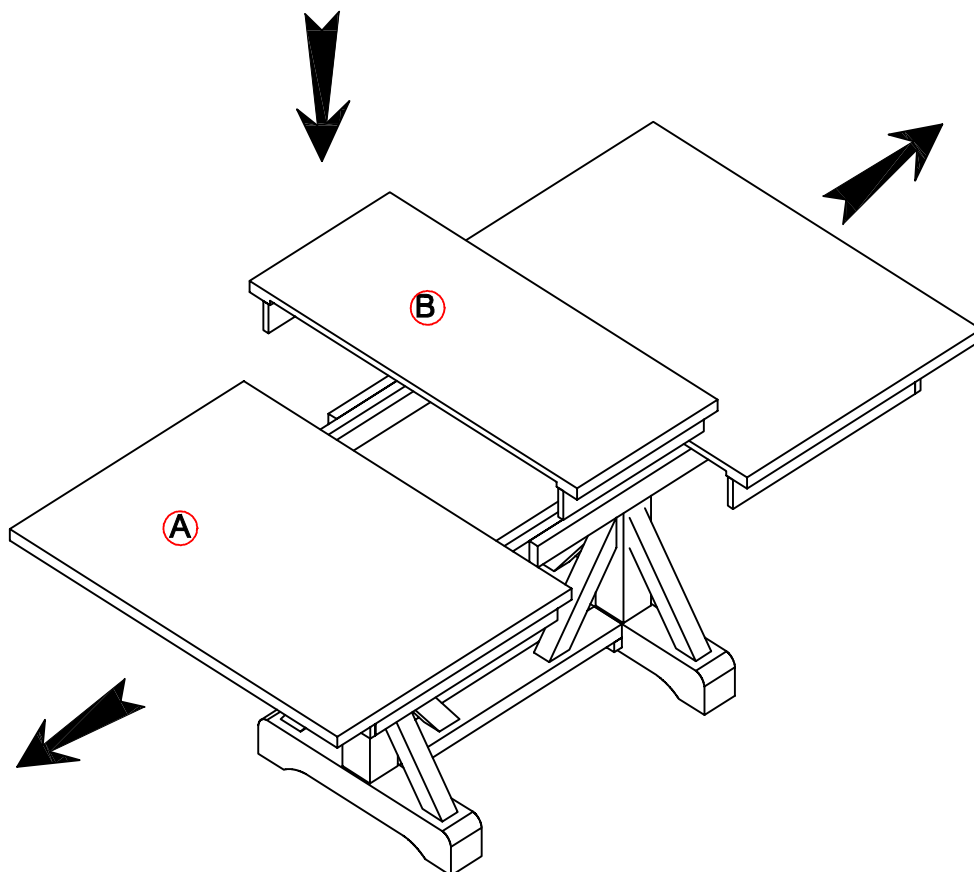
## STEP 2



## STEP 3



**STEP 4**



**COMPLETE**

