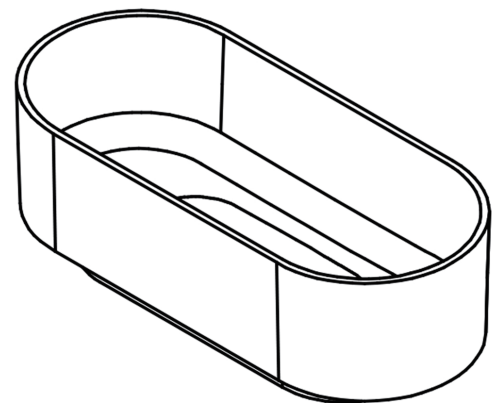
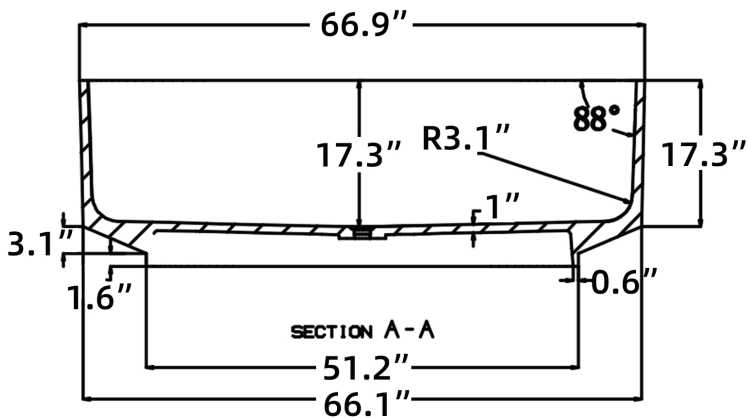
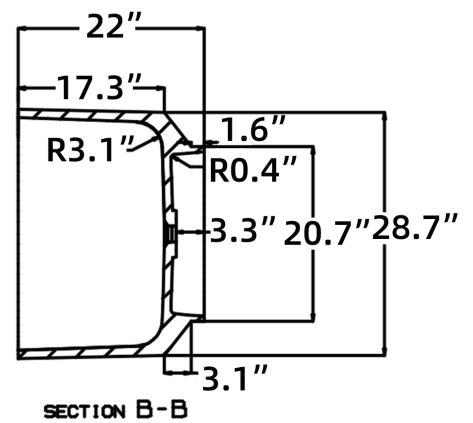
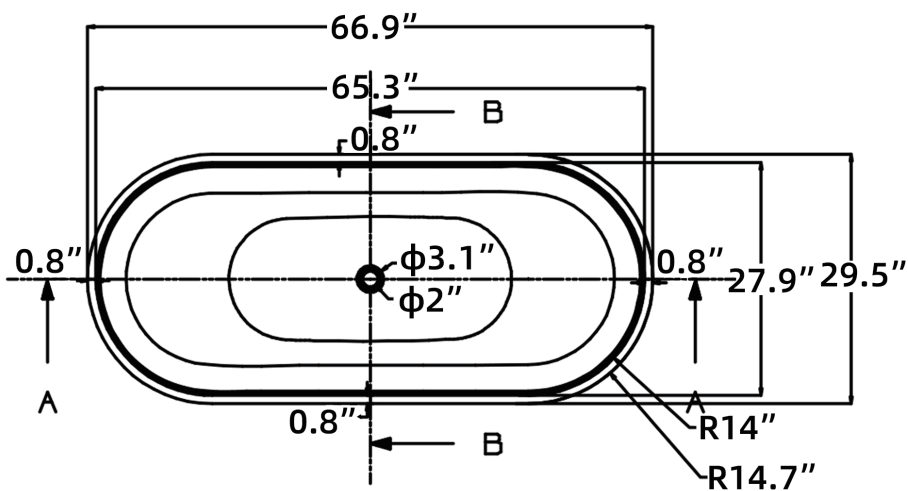


# Dimension/Specification



Sku RX-S09-67