

Assembly Instruction

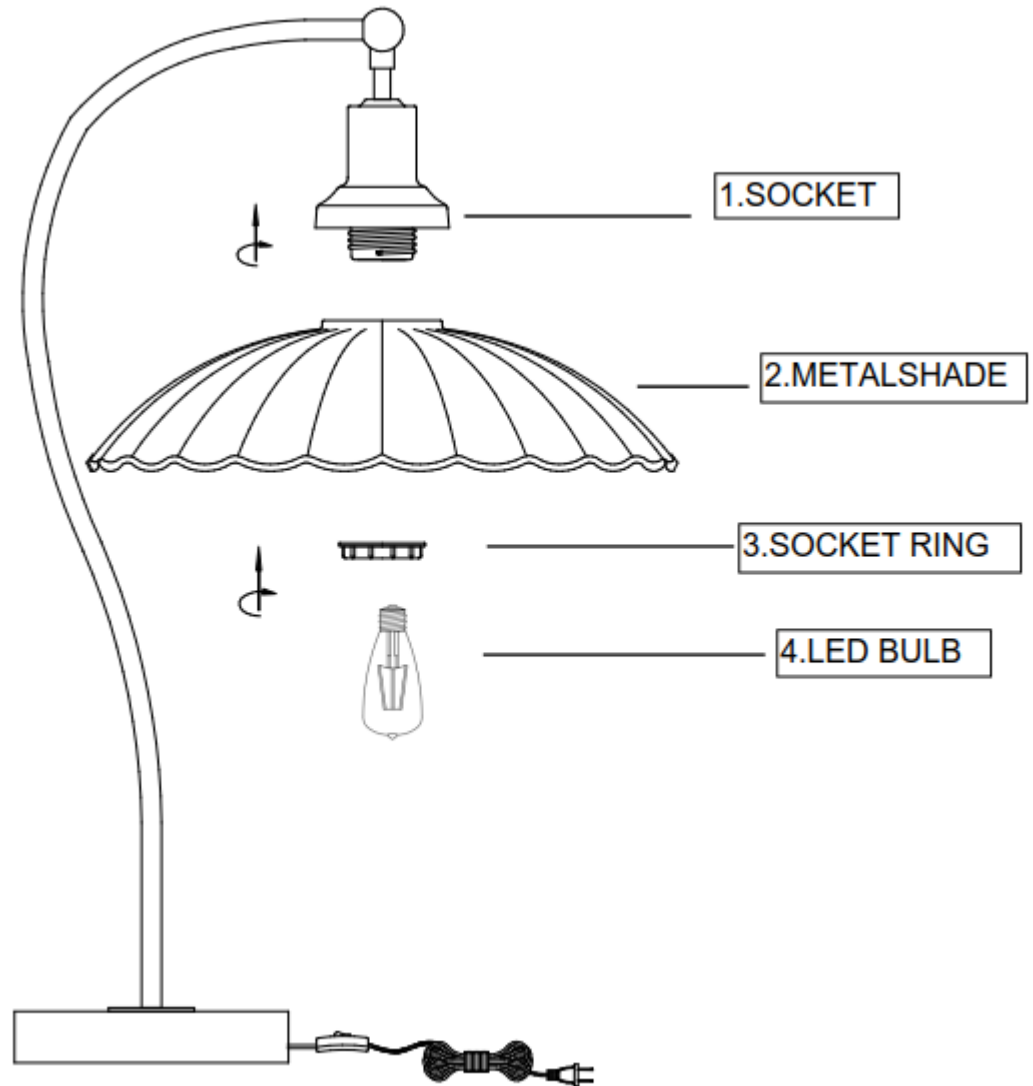
ITEM NO.: TDL334982DS

- 1) Carefully place all parts on a smooth surface and line them up as per the sketch.
- 2) Place the shades (2) onto lamp socket(1), and secure with the socket ring (3).
- 3) Install the LED bulb(bulb included).

CAUTION - Refer to the wattage caution label located near the lamp holder for recommended maximum wattage - Do not exceed recommended wattage.

WARNING - Do not attempt to replace the bulb while the lamp is plugged into a wall receptacle.

IMPORTANT SAFETY INSTRUCTIONS This portable lamp has a polarized plug (one blade is wider than the other) as a safety feature to reduce the risk of electric shock. This plug will fit in a polarized outlet only one way. If the plug does not fit fully in the outlet, reverse the plug. If it still does not fit, contact a qualified electrician. Never use with an extension cord unless plug can be fully inserted. Do not alter the plug.



E26, TYPE A, 60W (NOT INCLUDED)