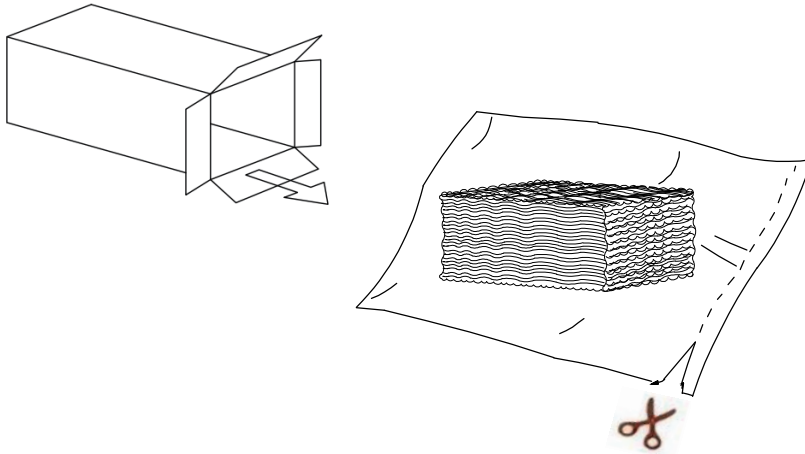


ASSEMBLY INSTRUCTION

STEP: 1



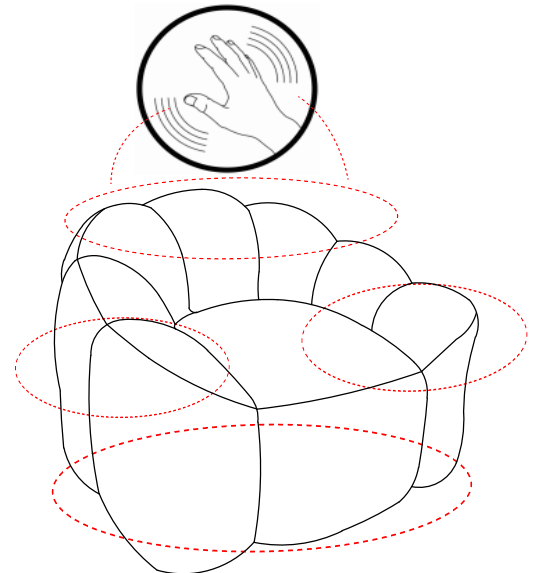
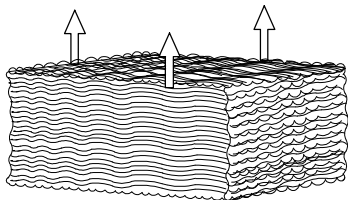
Carefully use a paper cutter or scissors to cut along the edges of the product for unsealing and decompression.

ASSEMBLY INSTRUCTION

STEP: 2

Wait for **48** hours until the chair is completely decompressed.

You can gently pat the product to make it more plump.



If you have any problems with the goods you purchased, please contact us via email at the address: after-sales@163.com. We will solve the issue for you!