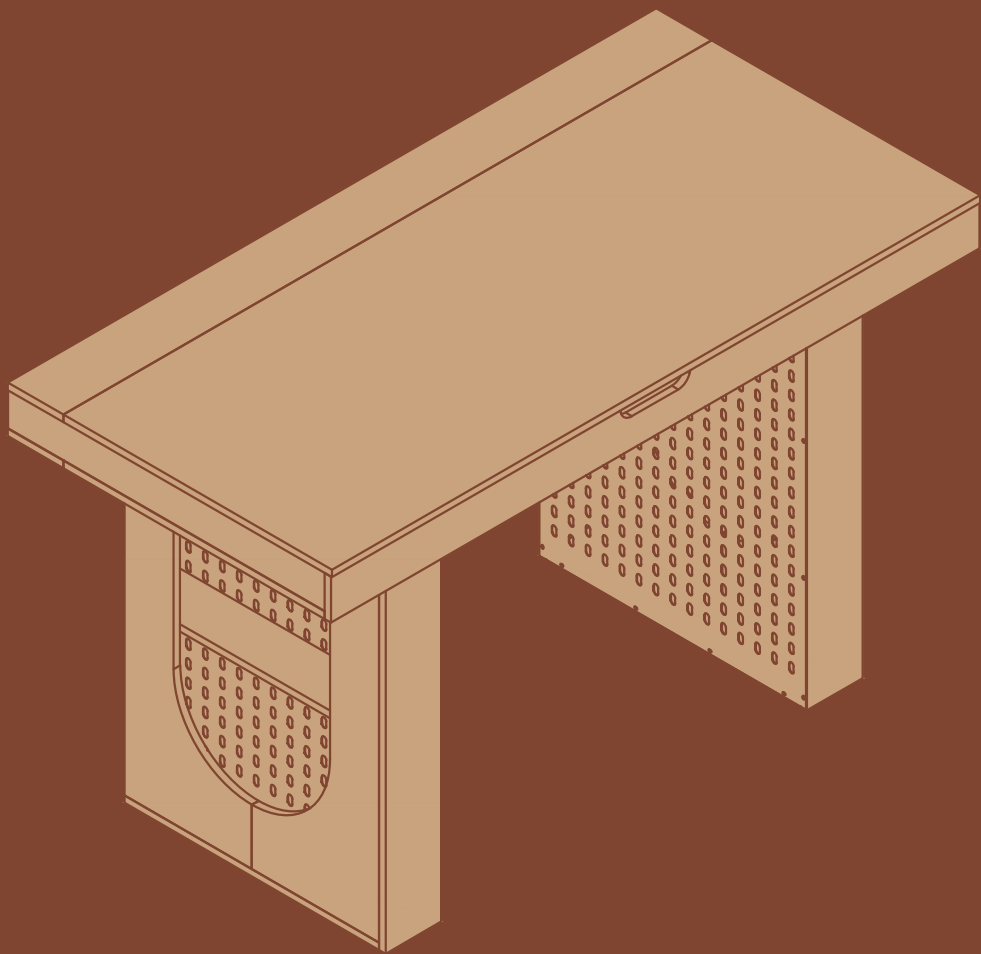


ASSEMBLY INSTRUCTION



Office Table

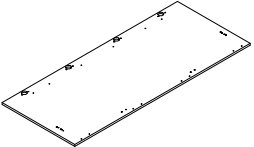
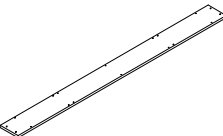
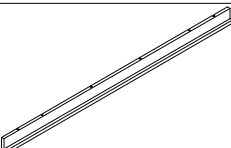
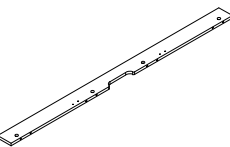
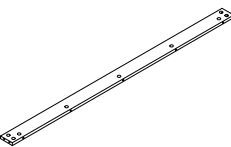
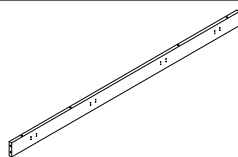
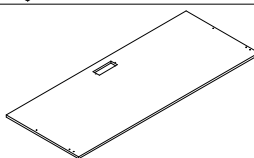
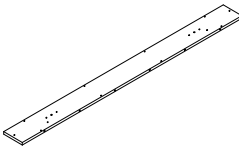
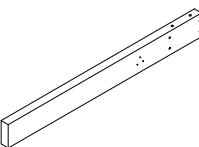
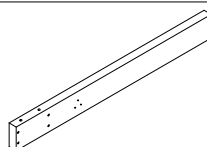
INTRODUCTION

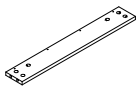
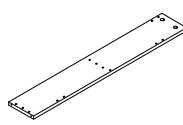
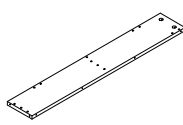
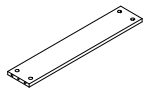
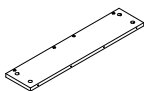
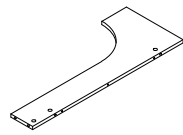
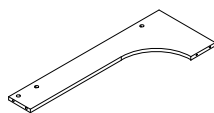
Thank you for purchasing our products. Please read the instructions carefully before installation and keep it in a safe place for future reference. If you need any assistance or support, please feel free to contact our customer support team.

PRECAUTIONS




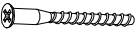
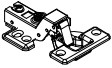


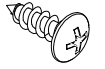
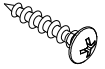

1. There are many components and accessories in the package. Each component and accessory is labeled with a letter or a number, check carefully before using any of them. Keep them away from children to prevent accidents.
 2. Please install the product on a clean and soft underlay (such as carpet or cardboard) to avoid scratching or damaging the surface of the product.
 3. The main components of the product is relatively heavy. Please pay attention to safety during installation.
 4. The product is not stable during installation. Please do not move it randomly before it is completely installed.
 5. If you have any questions during installation, please contact the customer service in time.
- * Please be sure to follow the installation steps in the manual to avoid unnecessary losses caused by improper installation.
 - * If you need further assistance, please contact the customer service online.




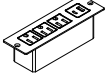
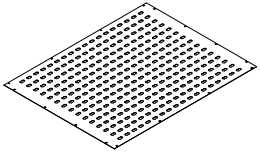


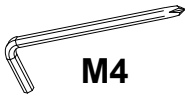
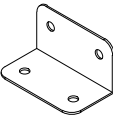
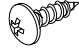
Parts List

ID	Parts	QTY
1		1
2		1
3		1
4		1
5		1
6		1
7		1
8		1
9		1
10		1

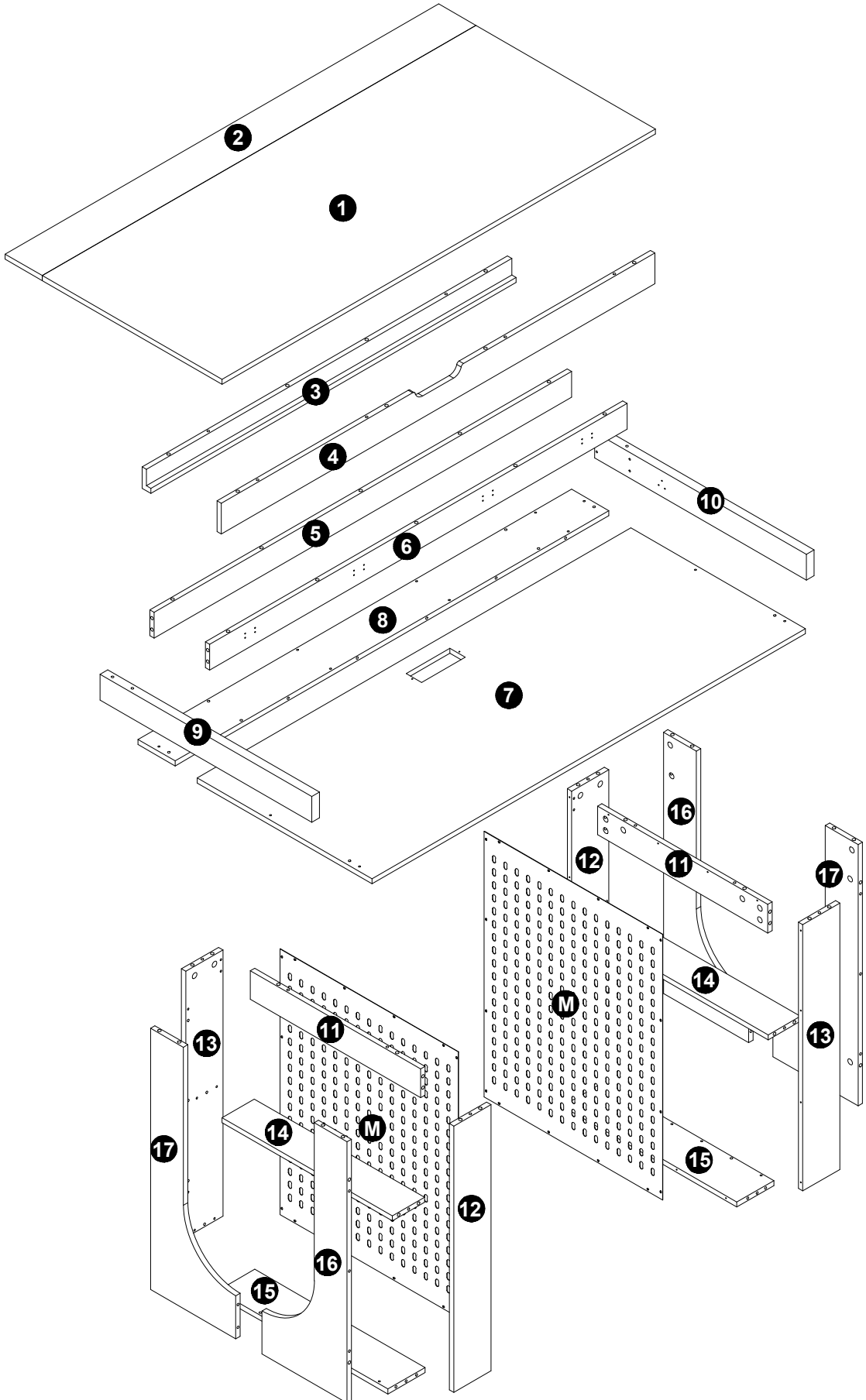
ID	Parts	QTY
11		2
12		2
13		2
14		2
15		2
16		2
17		2

Hardware List

ID	Parts	QTY
A	Ø6*33.5mm 	74+7
B	Ø15*9.5mm 	74+7
C	Ø6*30mm 	68+4
D	Ø5*50mm 	22+2
E		4
F	Ø4*14mm 	24+2
G		8
H	Ø3.5*14mm 	40+4
I	Ø3.5*25mm 	6+1
J	Ø3.5*12mm 	2

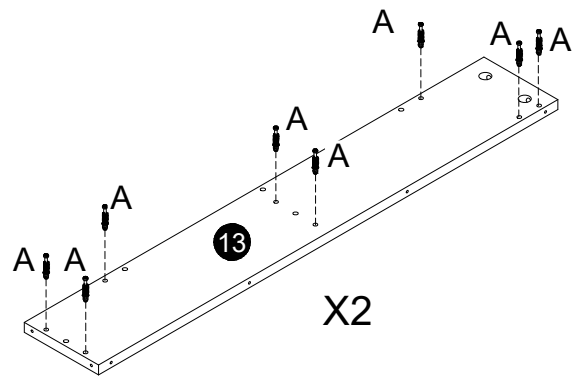
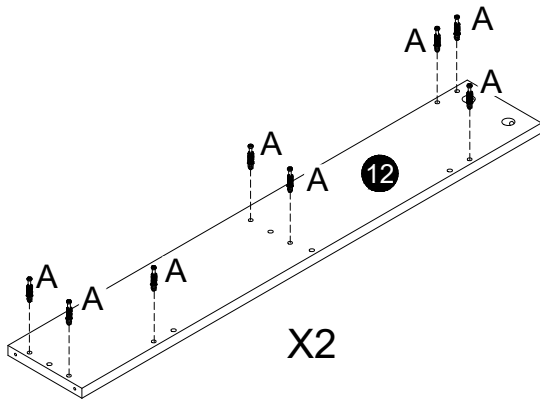
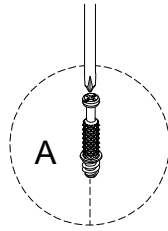
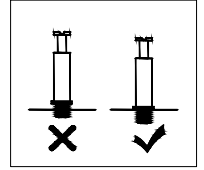
ID	Parts	QTY
K	   K1 K2 K3	2
L		1
M		2
N		74
O		1
P	 M4	1
Q		2
R	Ø3.5*12mm 	8

Parts List



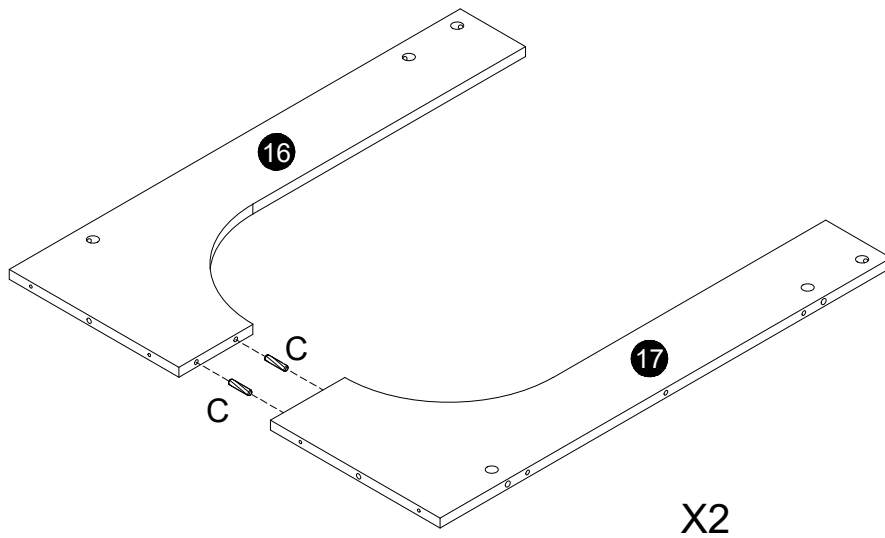
STEP 1

 **A** X32



STEP 2

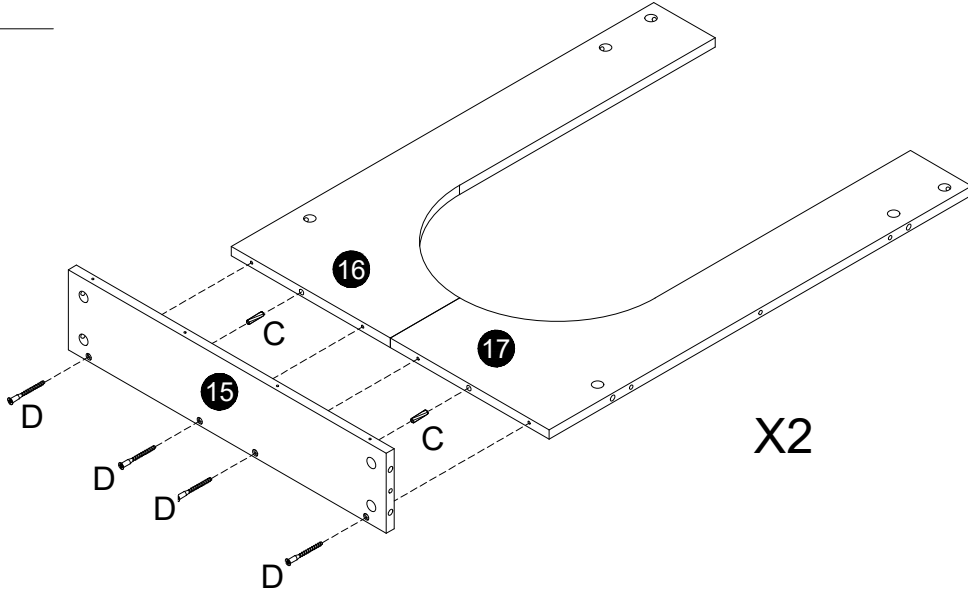
 **C** X4



STEP 3

 **D** X8

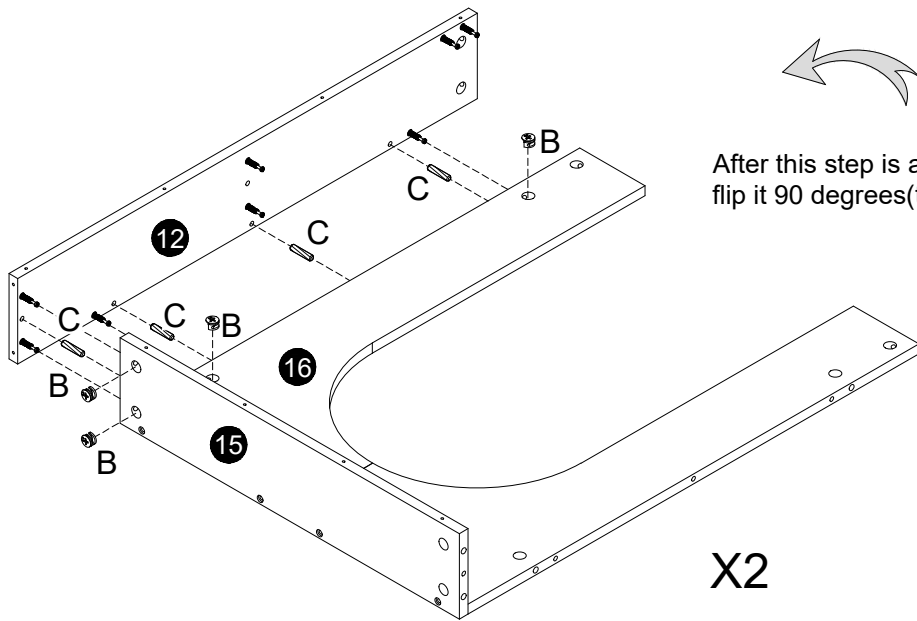
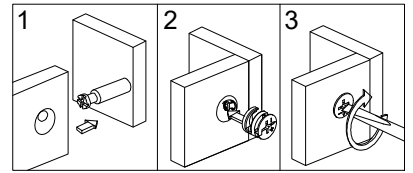
 **C** X4



STEP 4

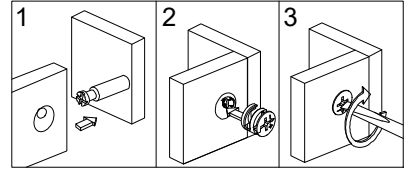
 **B** X8

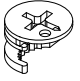
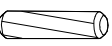
 **C** X8

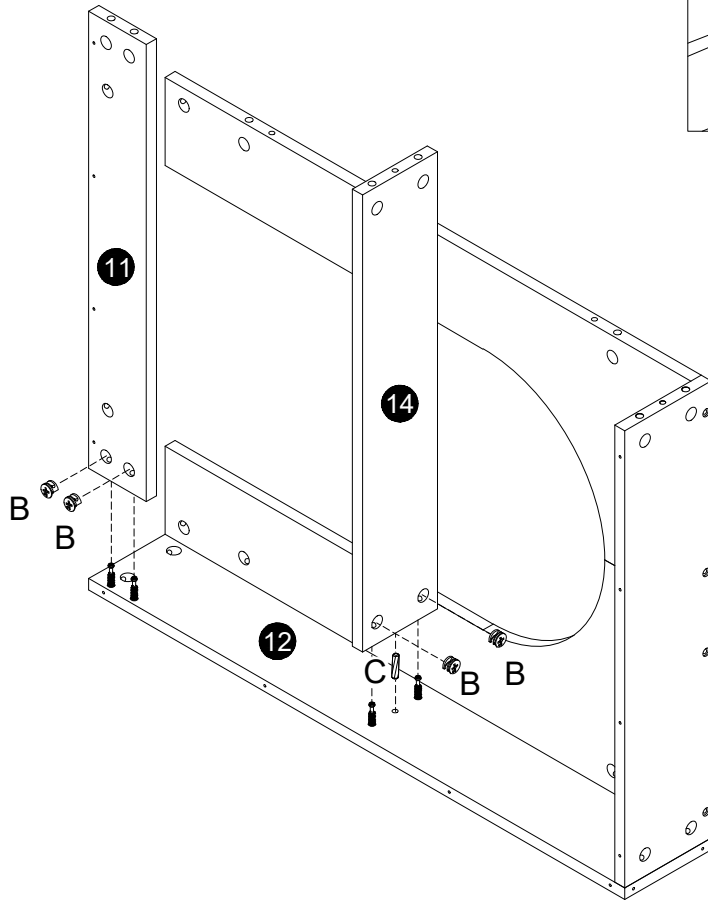


After this step is assembled, flip it 90 degrees(to step 5)

STEP 5

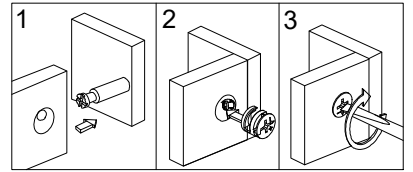


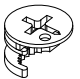
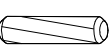
-  **B** X8
-  **C** X2

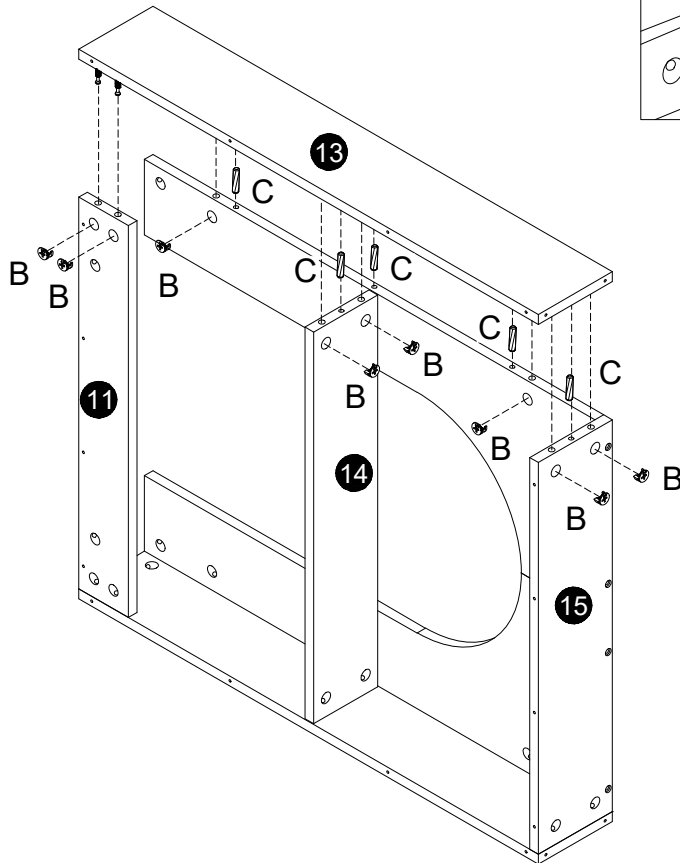


X2

STEP 6



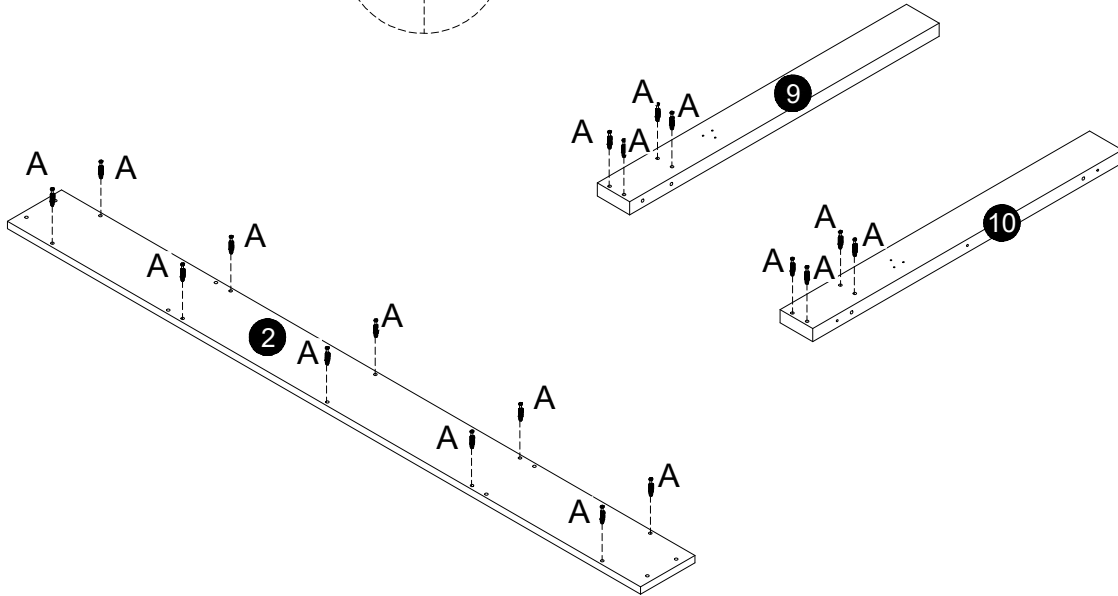
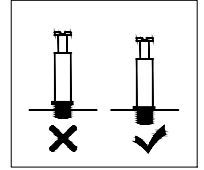
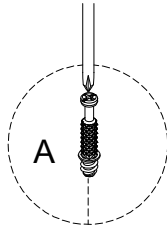
-  **B** X16
-  **C** X10



X2

STEP 7

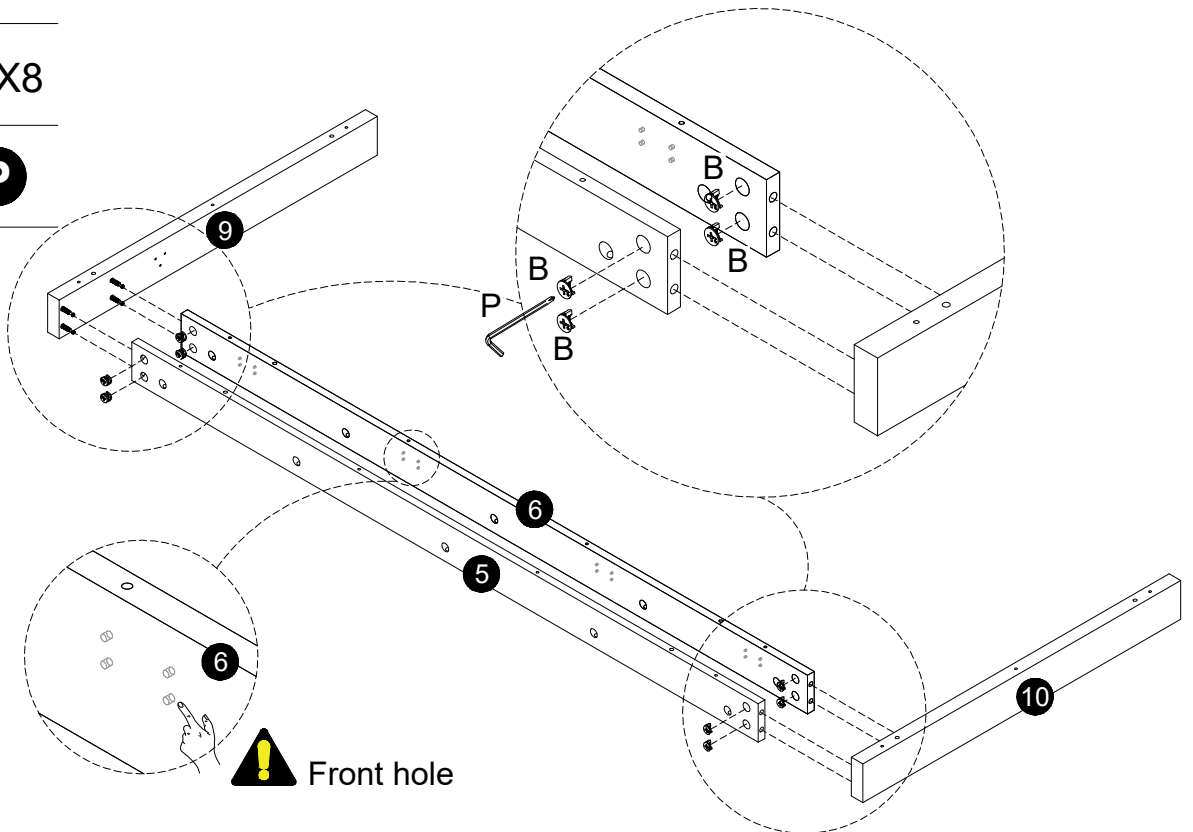
 **A** X18



STEP 8

 **B** X8

 **P**



STEP 9



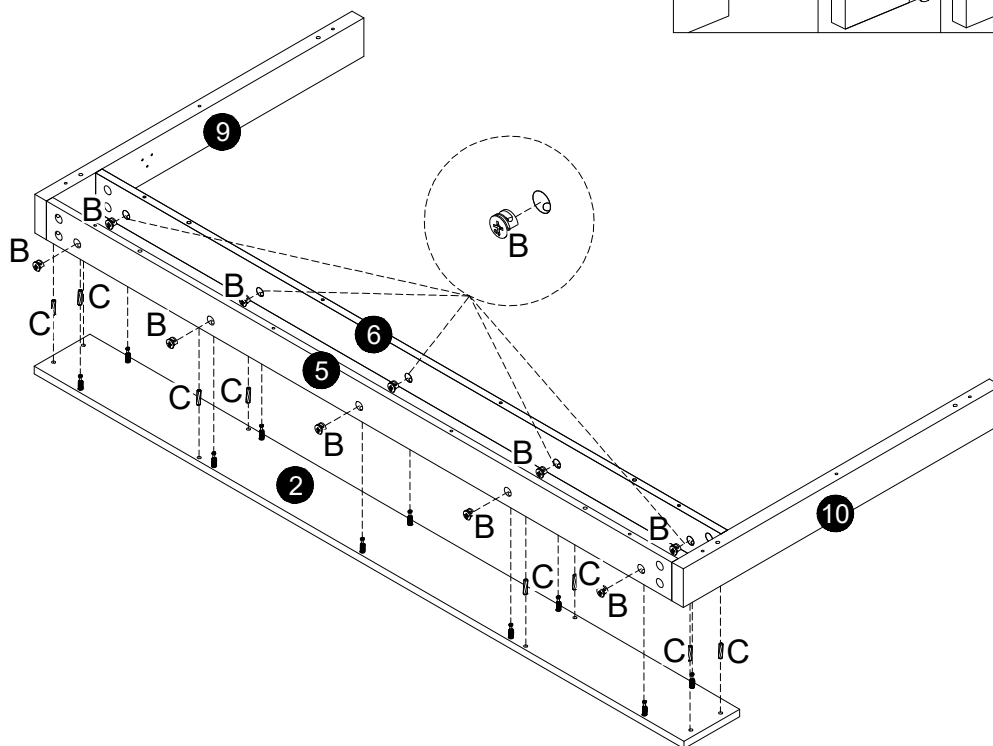
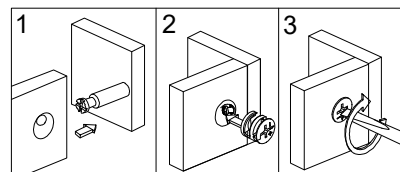
B X10



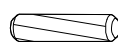
C X8



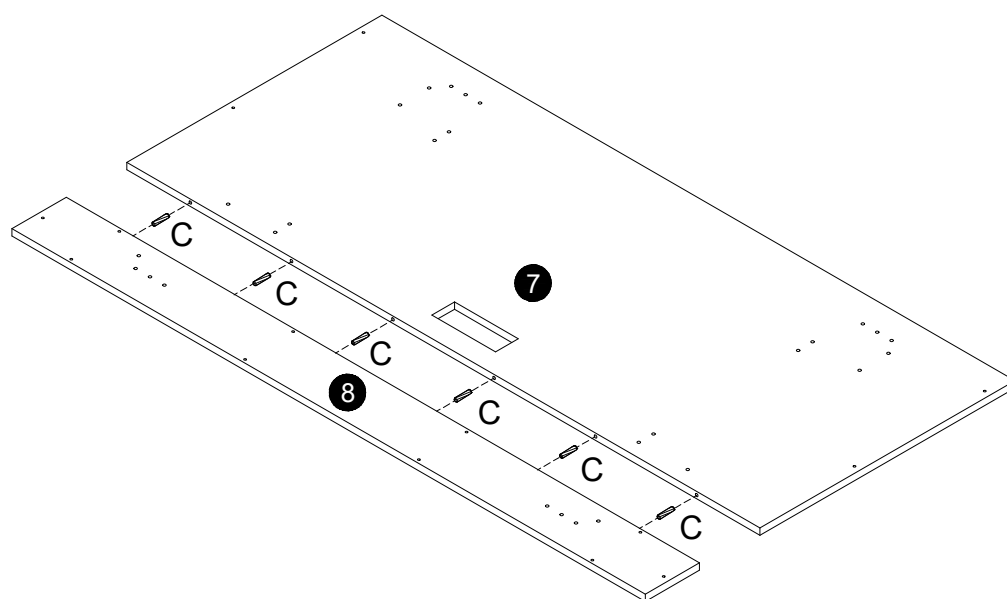
P



STEP 10



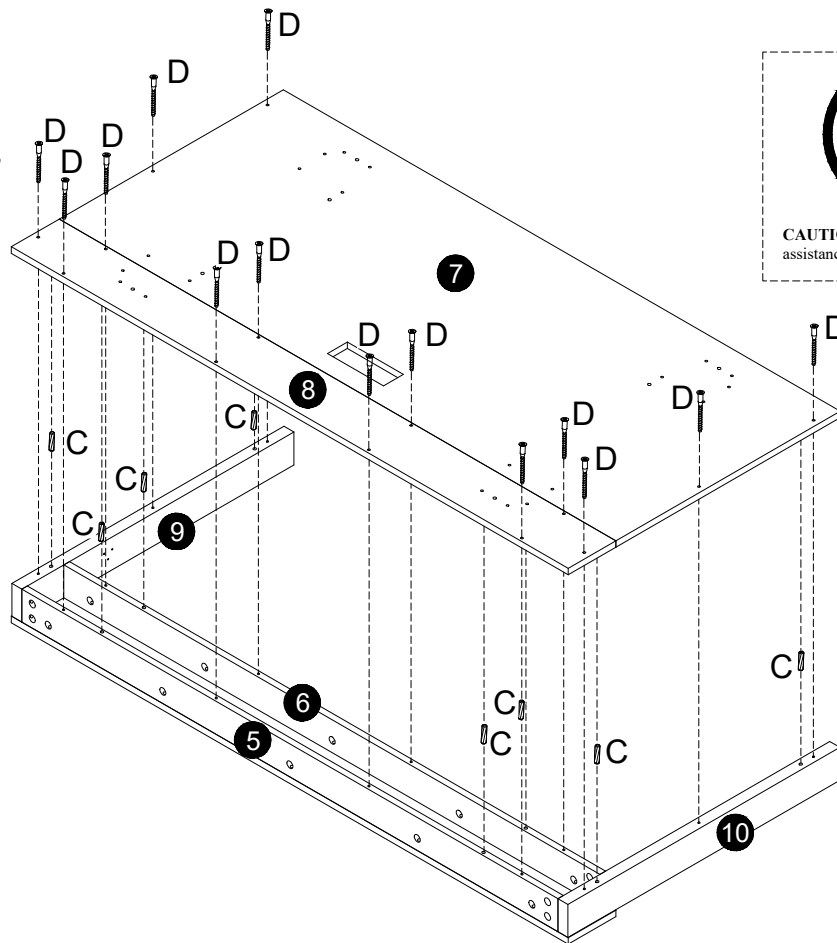
C X6



STEP 11

 **D** X14

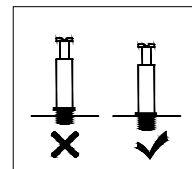
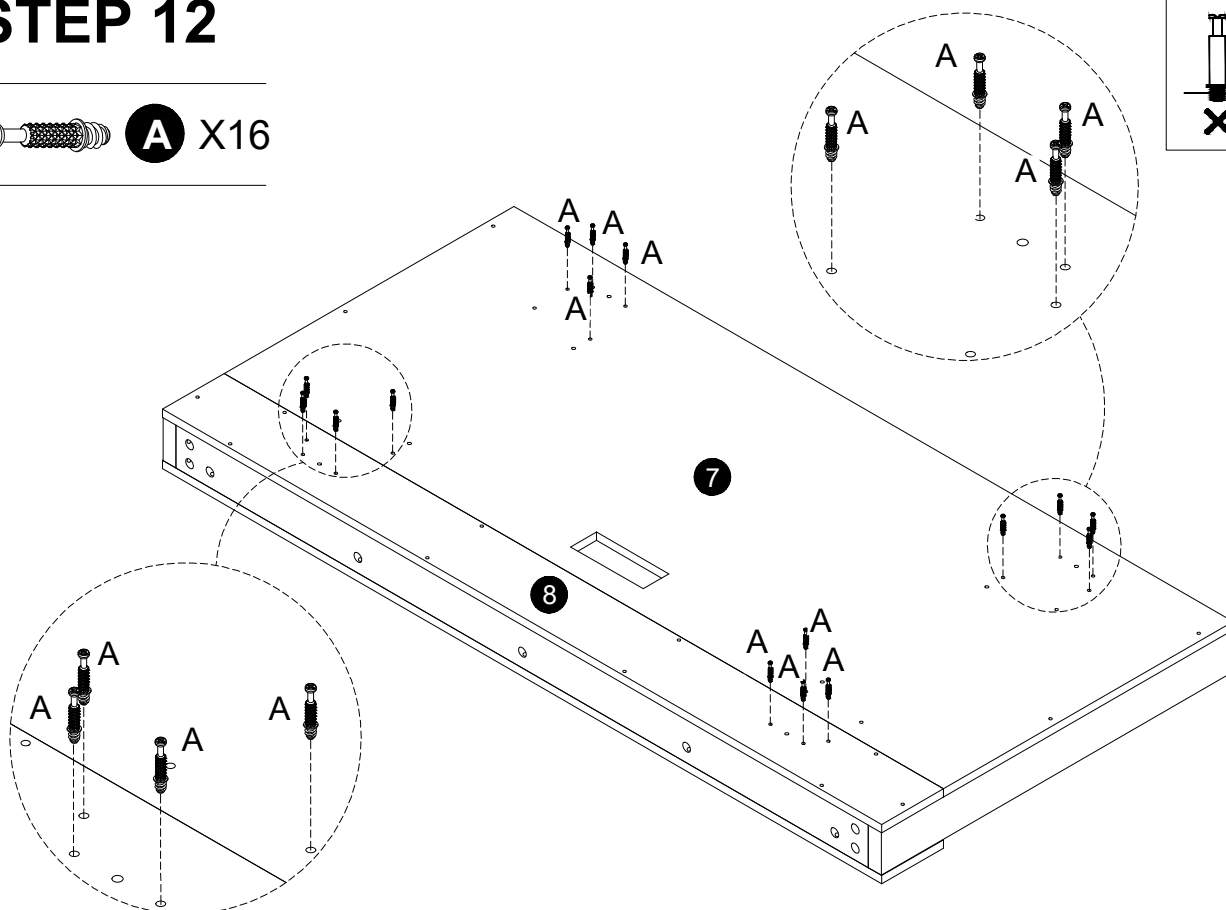
 **C** X8



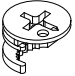
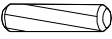

CAUTION: Heavy! You may need assistance with this step

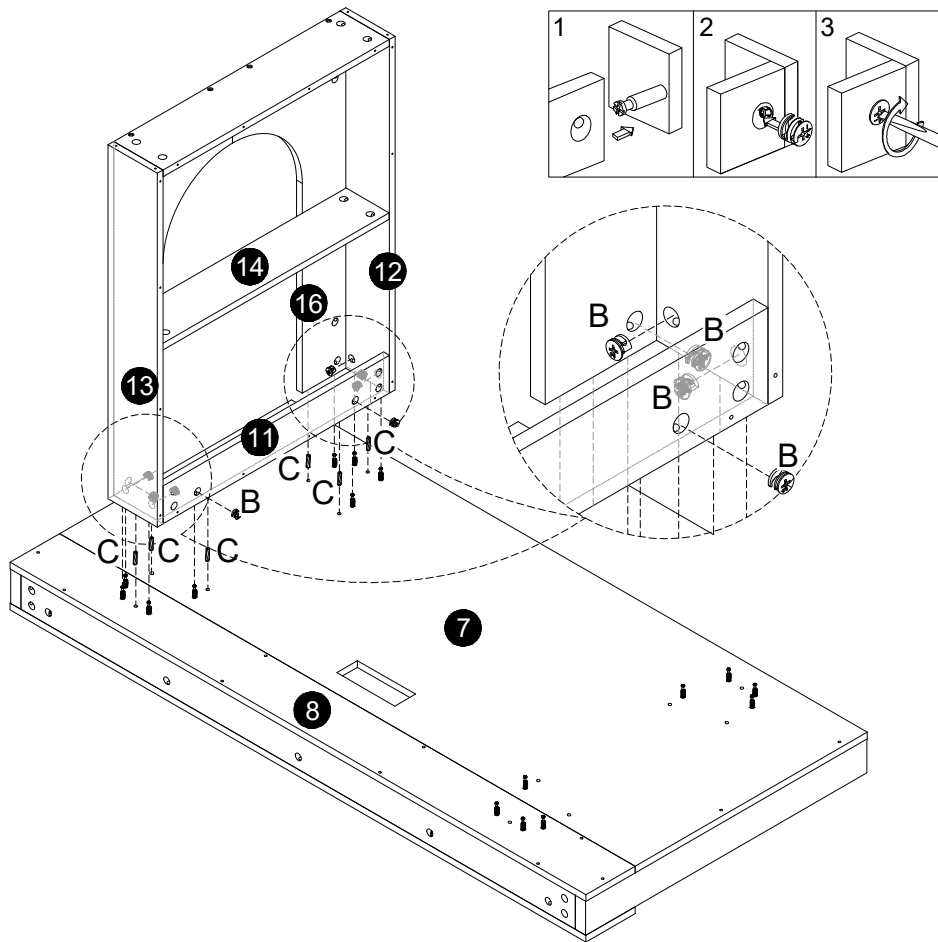
STEP 12

 **A** X16


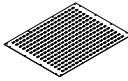


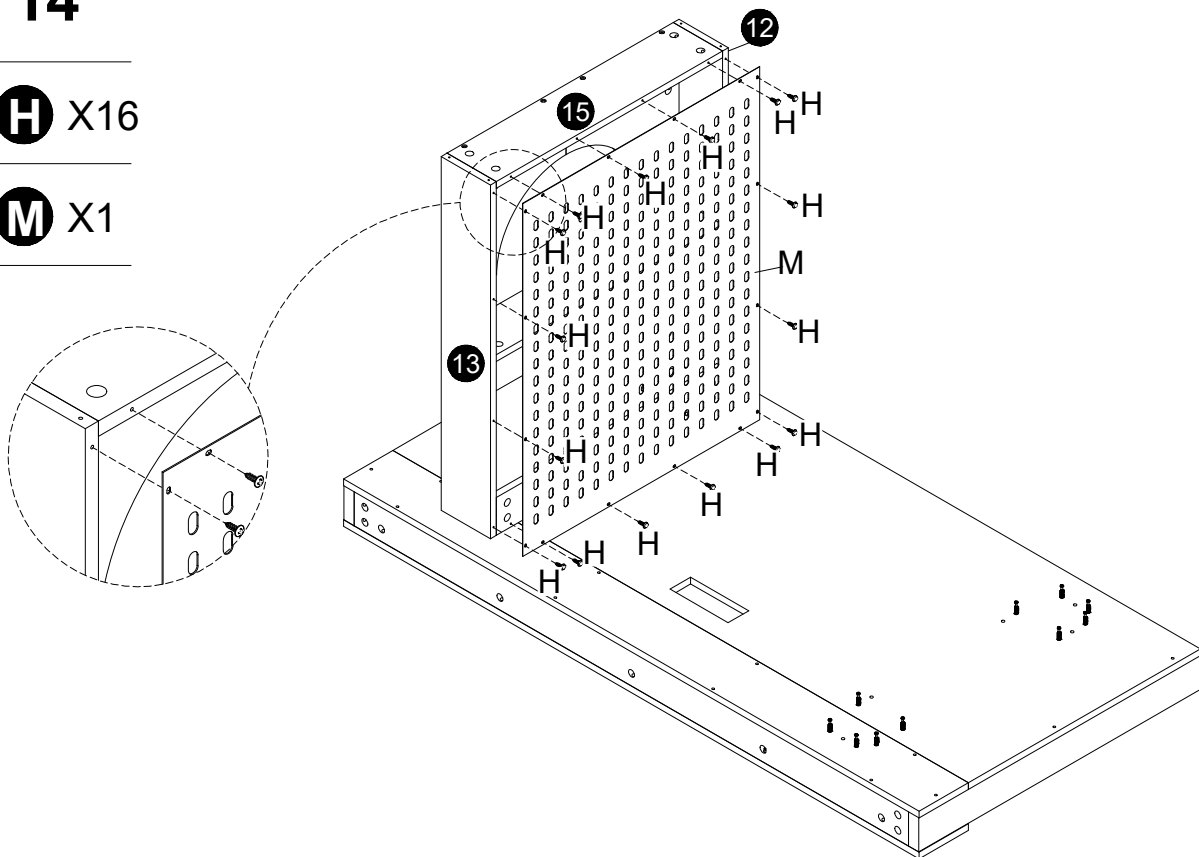
STEP 13

-  **B** X8
-  **C** X6
-  **P**

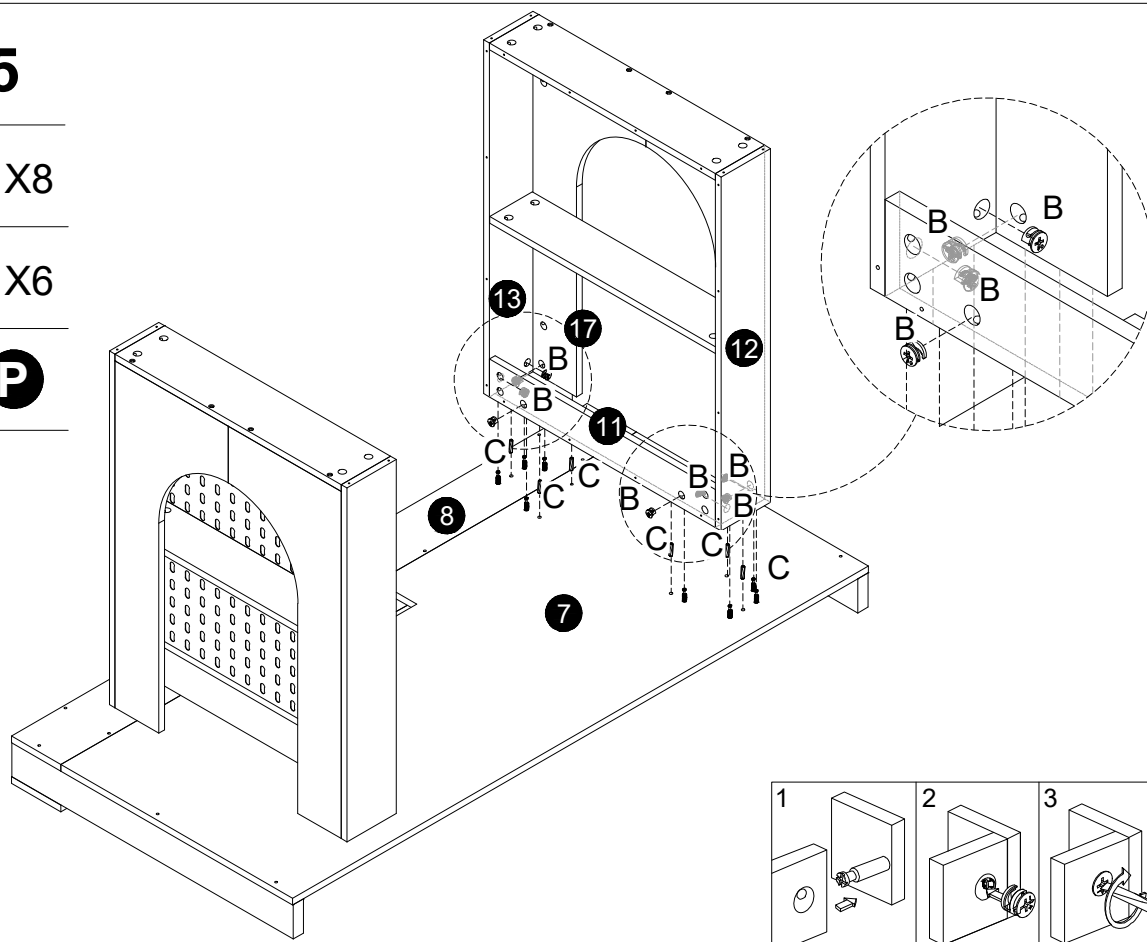


STEP 14

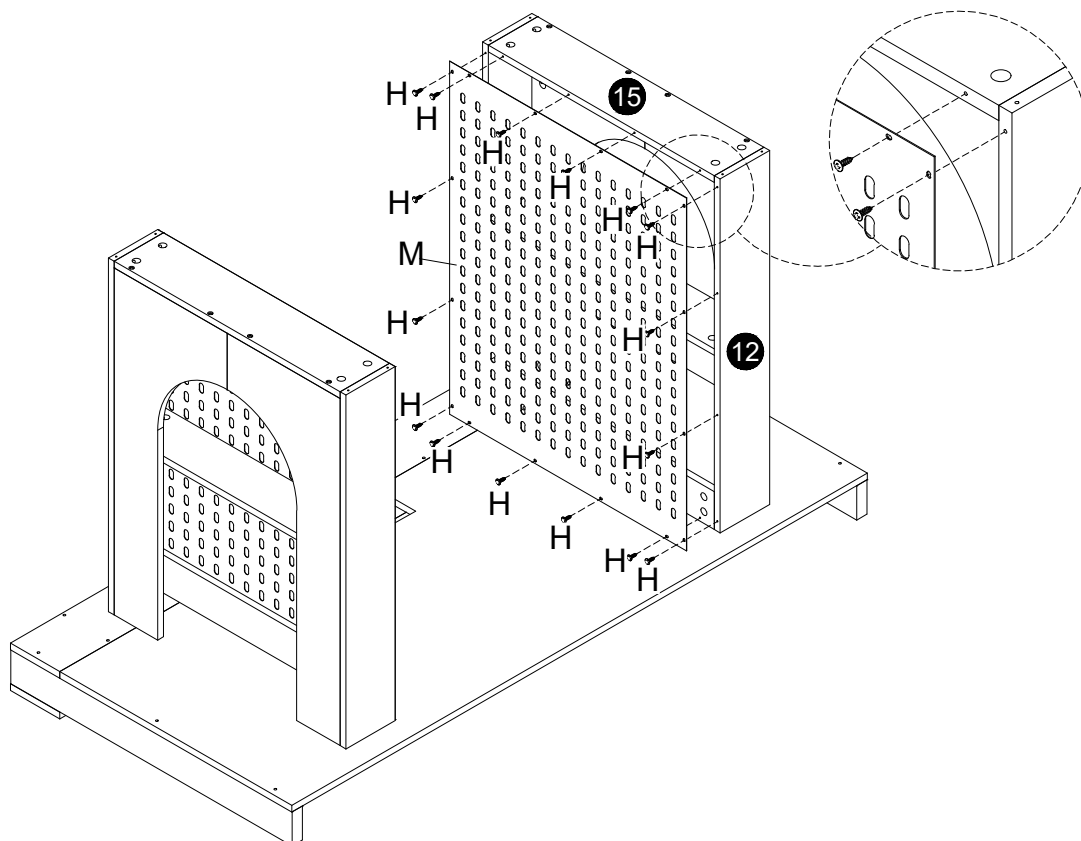
-  **H** X16
-  **M** X1



STEP 15



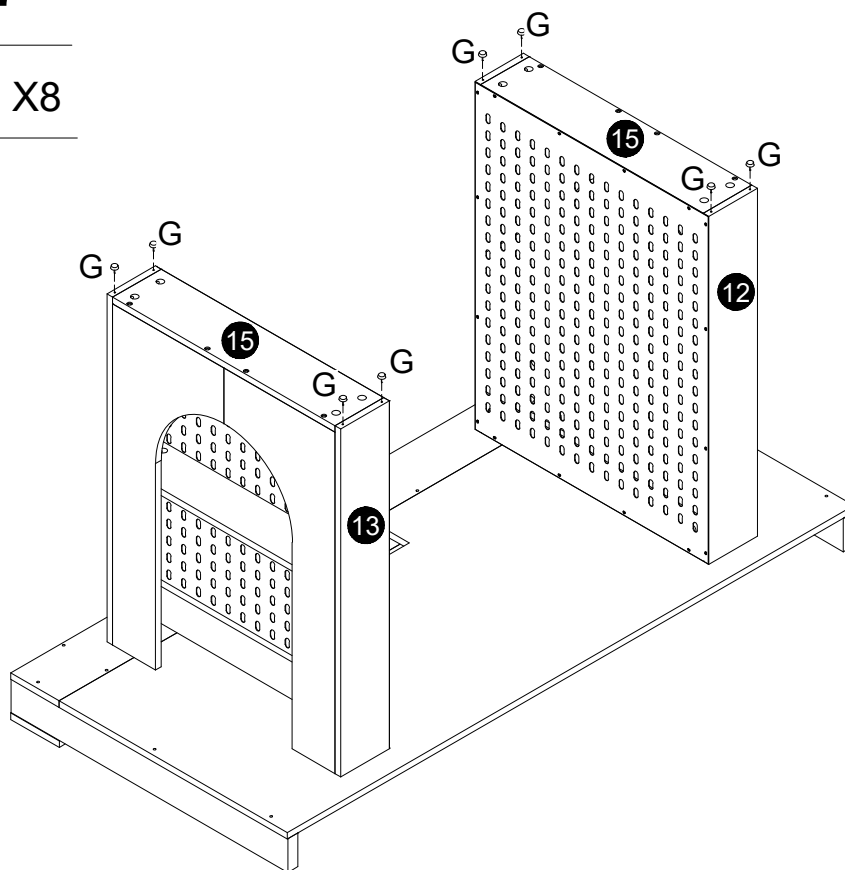
STEP 16



STEP 17



G X8



STEP 18



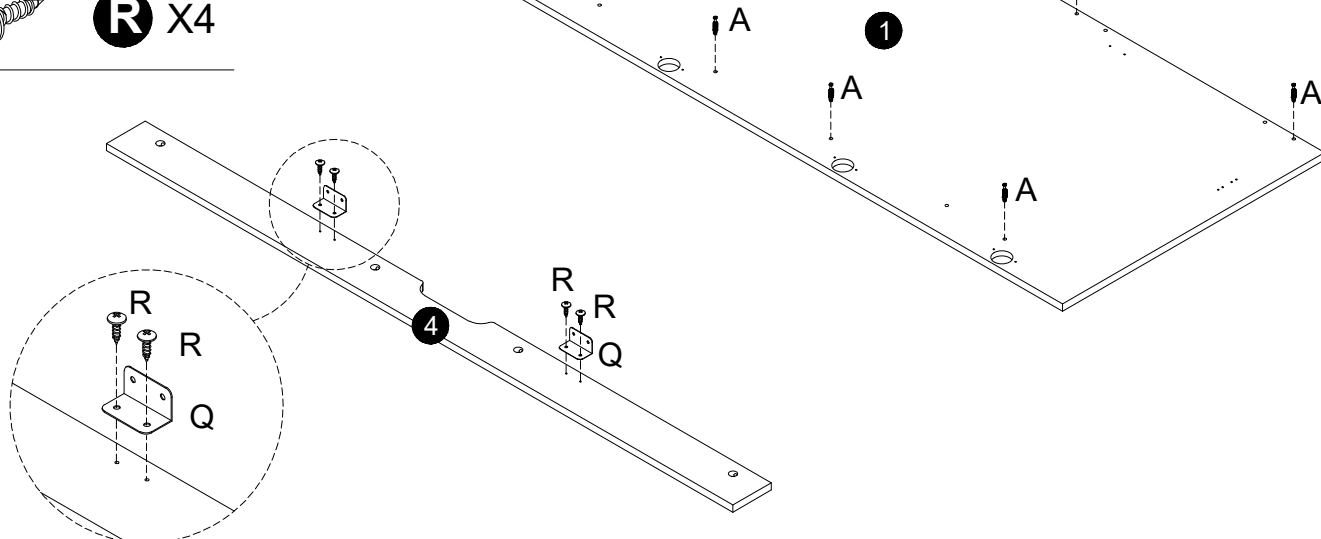
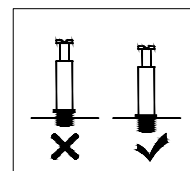
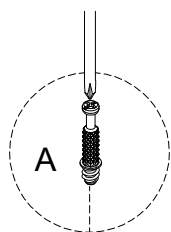
A X8



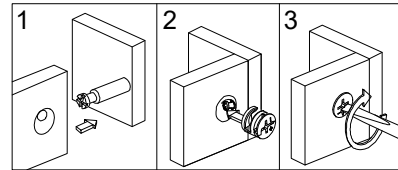
Q X2

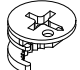
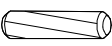



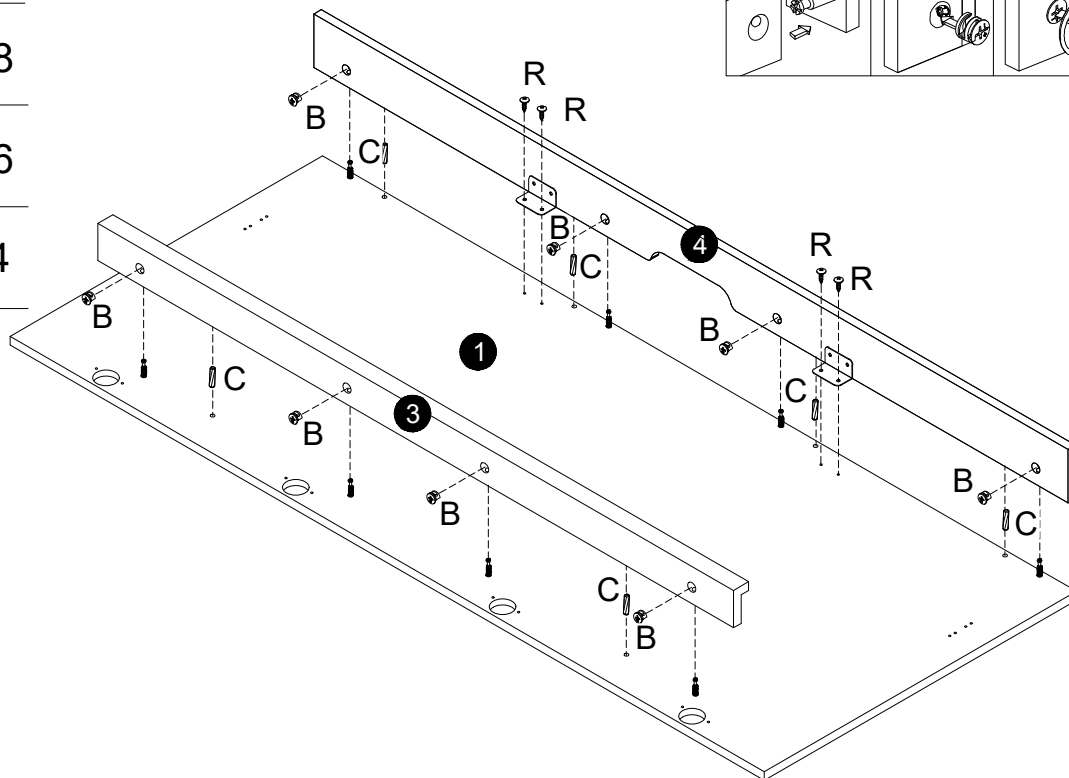
R X4



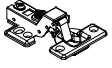

STEP 19

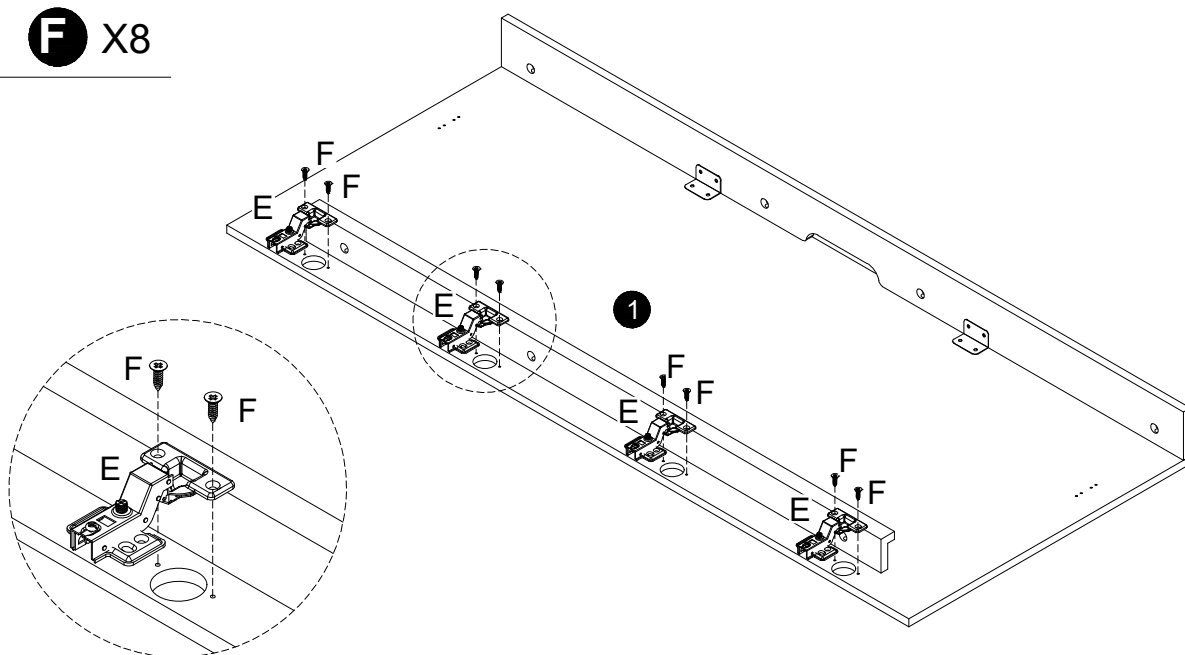


-  **B** X8
-  **C** X6
-  **R** X4



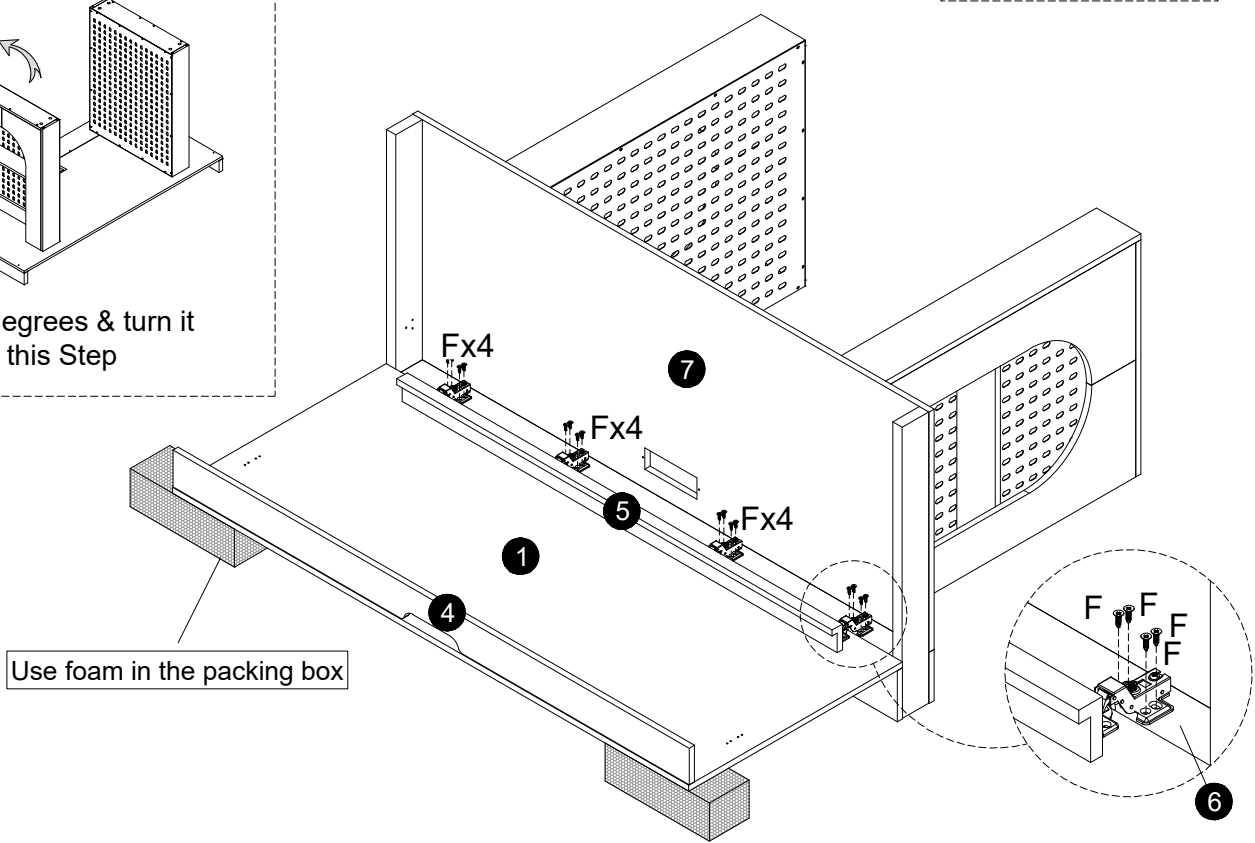
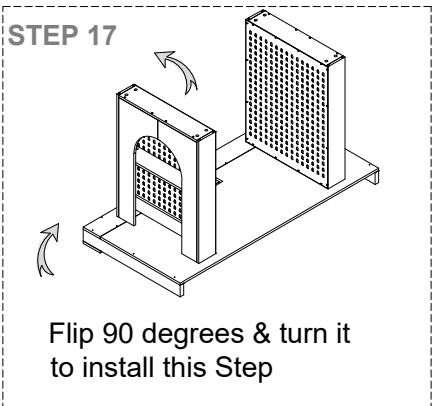
STEP 20

-  **E** X4
-  **F** X8

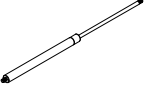




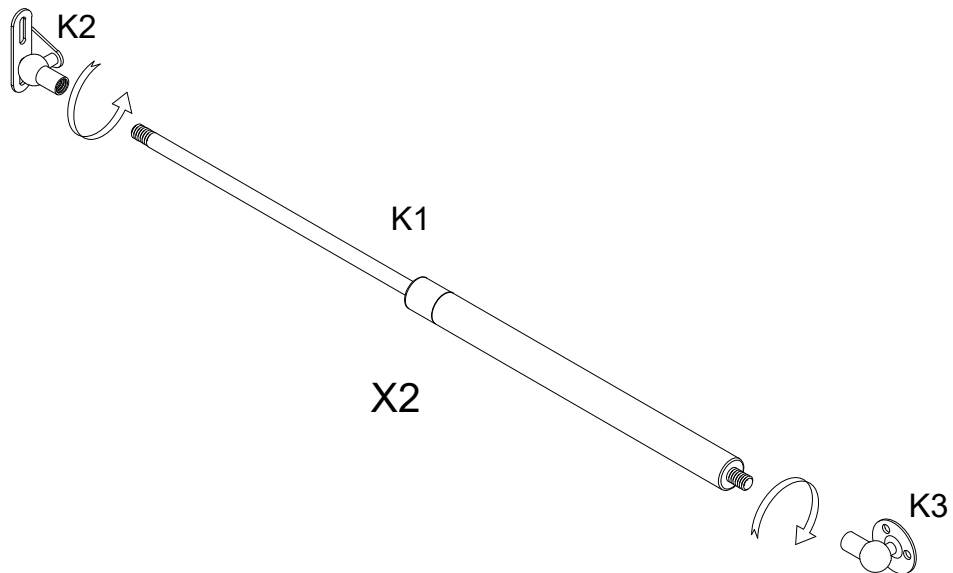
STEP 21

 **F** X16

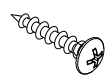


STEP 22

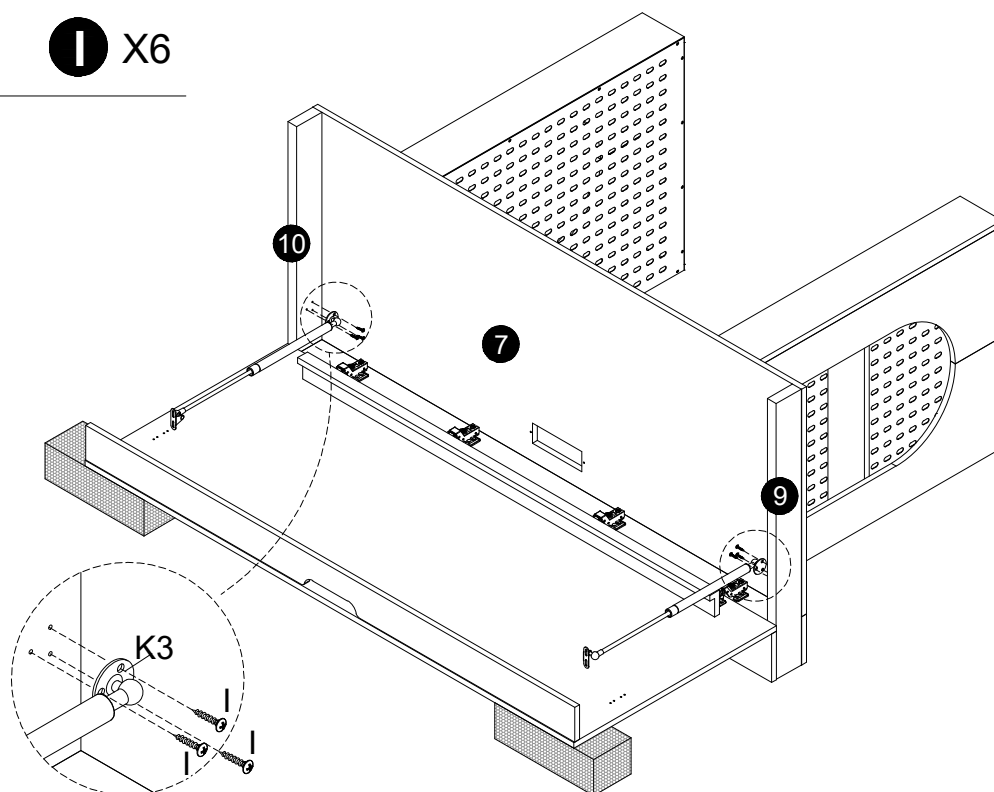
-  **K1** X2
-  **K2** X2
-  **K3** X2



STEP 23



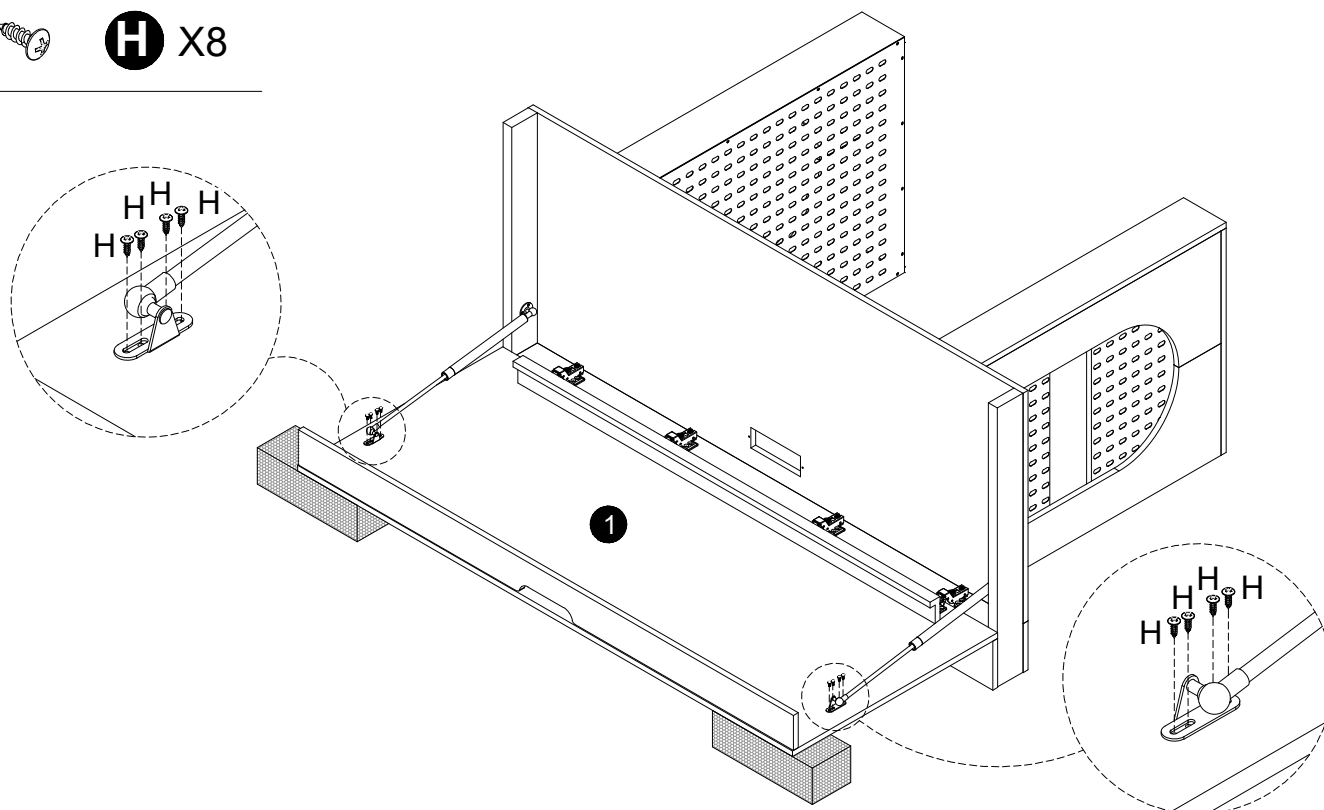
I X6



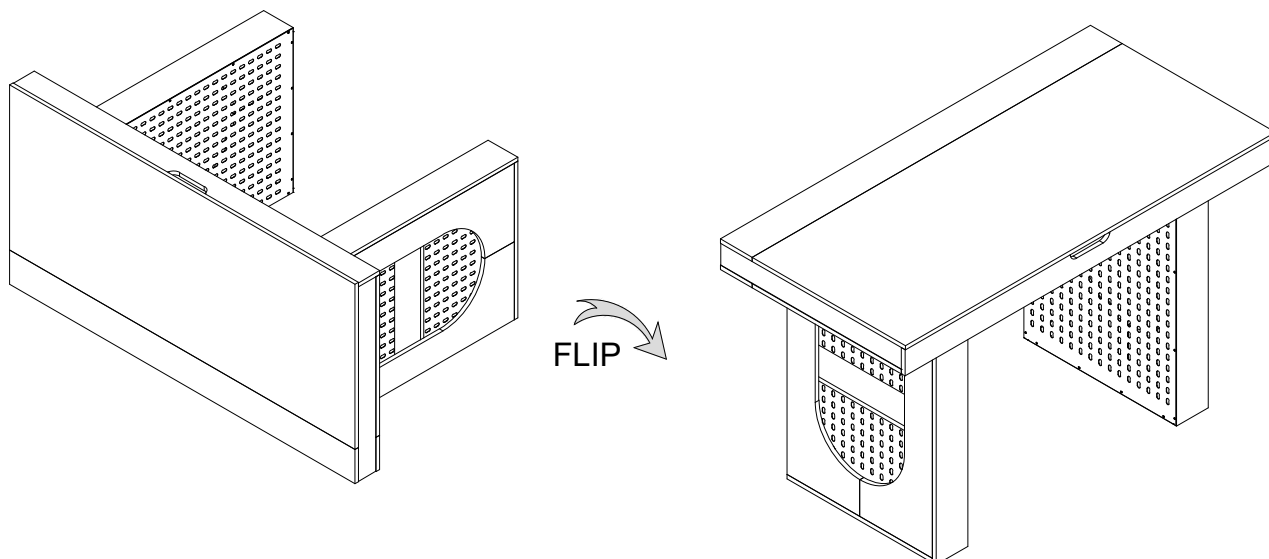
STEP 24



H X8



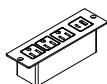
STEP 25



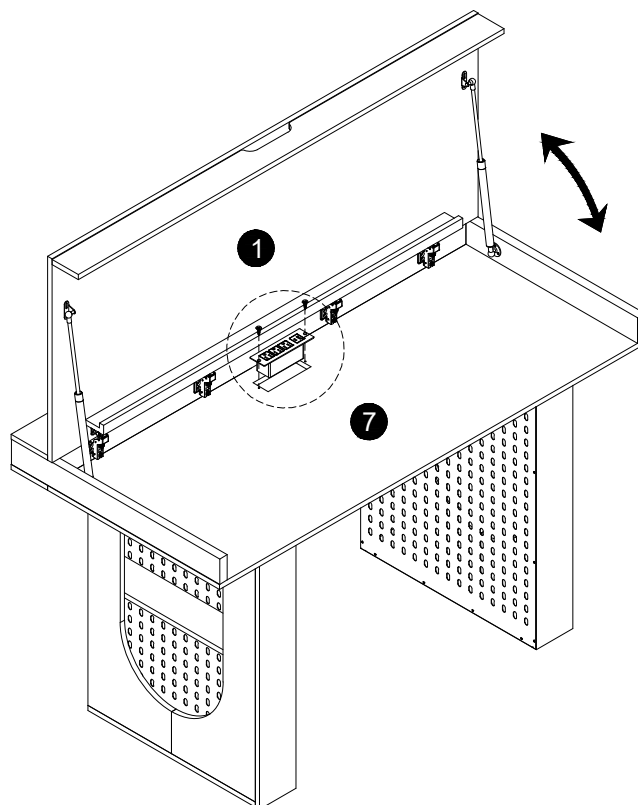
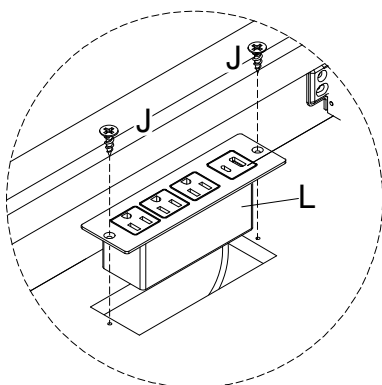
STEP 26



J X2



L X1



STEP 27



N X74



Note: After assembly, cover the holes.

