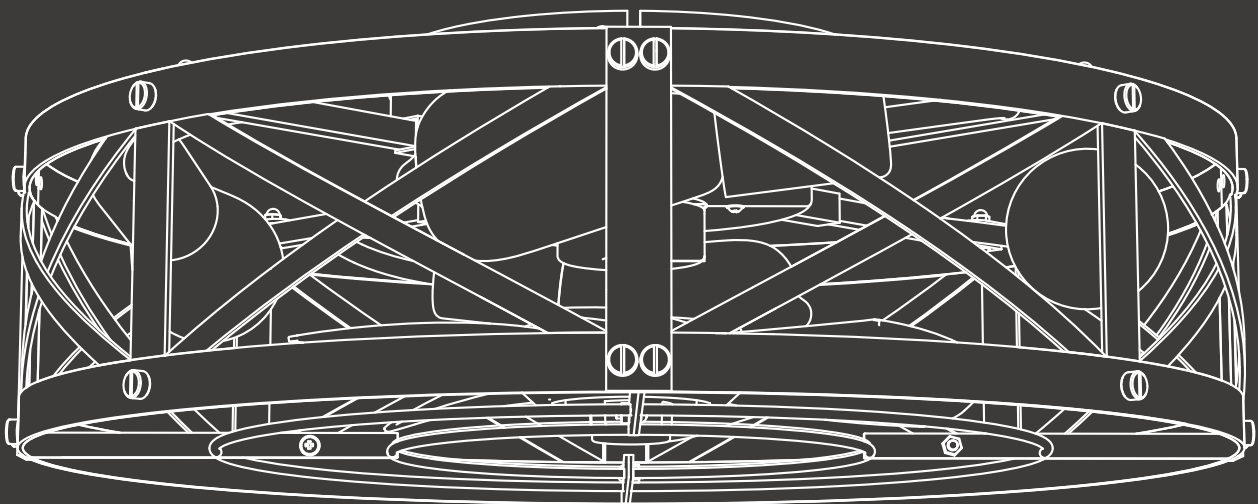


# Caged Ceiling Fan

## Instruction Manual

AC-DSV4NDS



 EST 9:00AM--17:00PM

 [HJ-Customer-Service@outlook.com](mailto:HJ-Customer-Service@outlook.com)

 6269443420 | 6267435564

# Contents

---

Warning .....	01
Package Contents .....	02
Assemble the Remote Control Bracket .....	02
Assemble the Fan .....	03
How to Use .....	05
Energy-saving Usage .....	05
Remote Control .....	06
Troubleshooting .....	07
Maintenance .....	07
Warranty Information .....	08

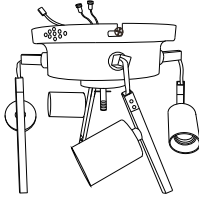
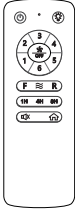
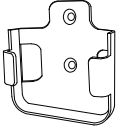
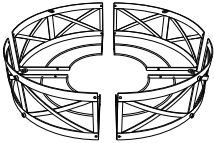

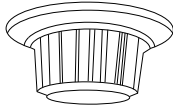
# Warning


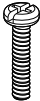








Please read this user manual carefully before assembling or using the product and keep it for future reference.

1. Before installing, disconnect the power supply and ensure the fan switch is in the off position. Do not connect any power until the installation is complete.
2. Before assembling, servicing, or cleaning the unit, turn off the fan and switch off the power at the main fuse box.
3. Check that all parts and hardware are present and intact. If any parts are missing or damaged, please contact our after-sales service.
4. Before installing the fan, carefully read and follow the wiring instructions. If you do not have enough wiring knowledge or experience, it is recommended to consult a qualified electrician.
5. Do not insert any foreign objects into the fan blades while the fan is operating.
6. This appliance is not intended for use by persons with reduced physical, sensory, or mental capabilities, or who lack experience or knowledge, unless they are supervised or instructed on the proper use of the appliance by a person responsible for their safety. Children should be supervised to ensure they do not play with the appliance.
7. All wiring and junction boxes must comply with the National Electrical Code and local electrical codes. The minimum required wire specification is a 3-conductor (2-wire with ground) cable of the following size:
  - 12 AWG for lengths between 50 ft and 100 ft
  - 14 AWG for lengths up to 50 ft
8. The fan requires a grounded electrical supply (AC 110~130 V/ 60Hz, 15A). Electrical code requires the use of a fan-rated junction box to support the extra weight and motion of the fan. Fan-rated junction boxes vary in ratings and design. Ensure the ratings of your junction box suit this fan.
9. Be cautious when cleaning or servicing the fan.
10. Do not use water or detergents to clean the fan or fan blades. Use only a dry rag or a slightly damp cloth.

# Package Contents

Please check that all parts and hardware are present and intact.

<b>AX1</b> 	<b>BX1</b> 	<b>CX1</b> 
<b>DX1</b> 	<b>EX1</b> 	<b>FX1</b> 

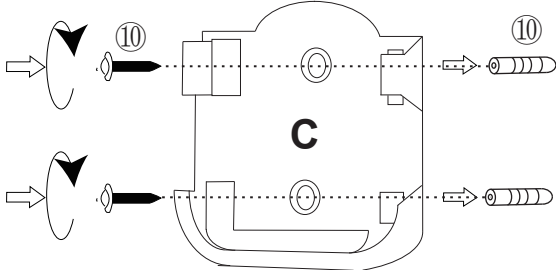
									
①X3	②X2	③X4	④X4	⑤X2	⑥X8	⑦X8	⑧X4	⑨X4	⑩X2

# Tools May Required

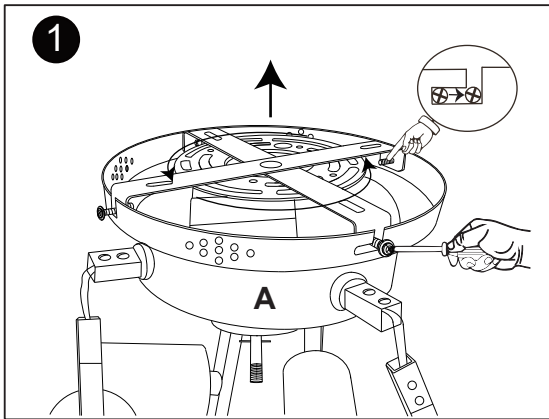
			
Ladder	Wire Stripper	Wrench	Screwdriver

# Assemble the Remote Control Bracket

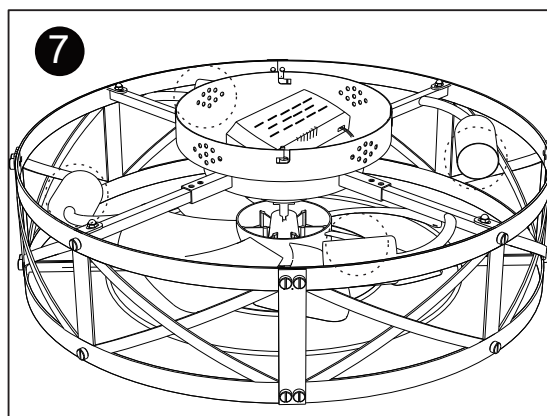
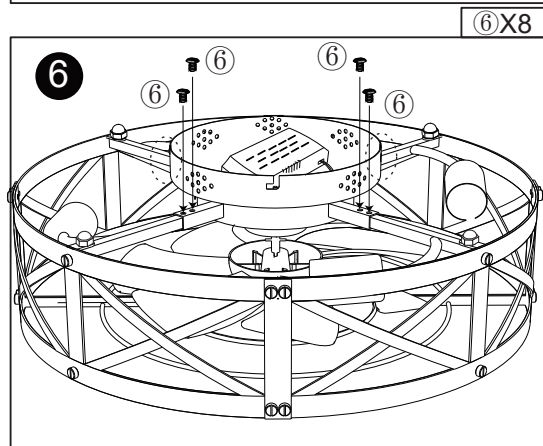
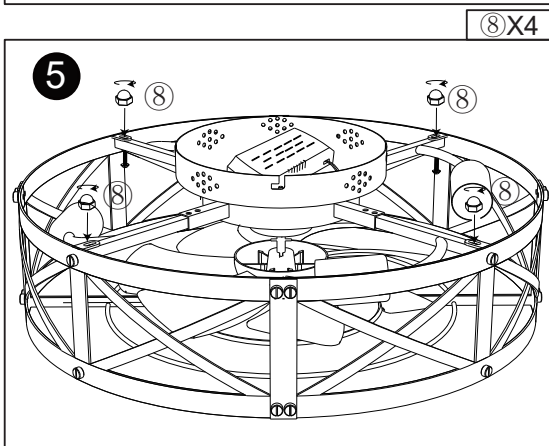
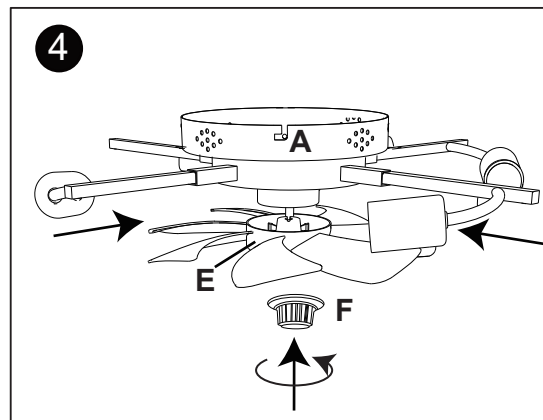
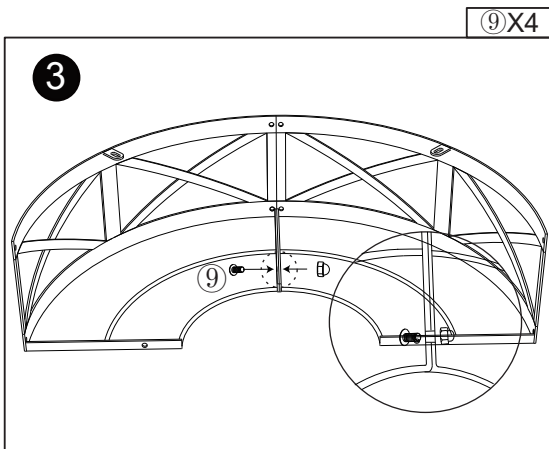
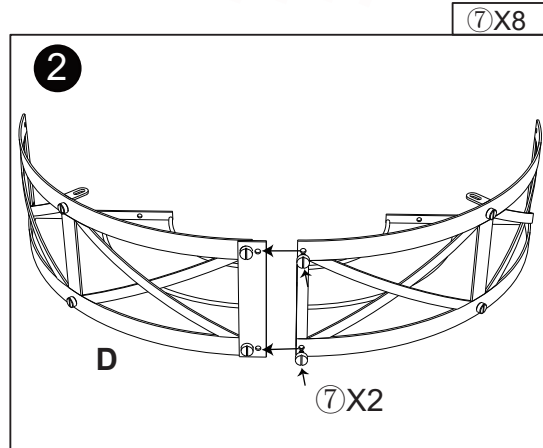
Secure the remote control bracket to the wall.



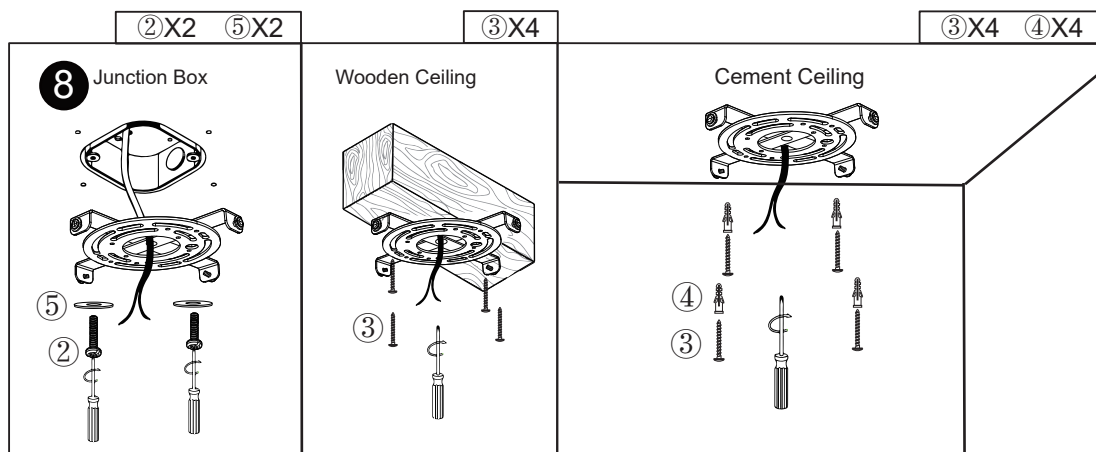
# Assemble the Fan



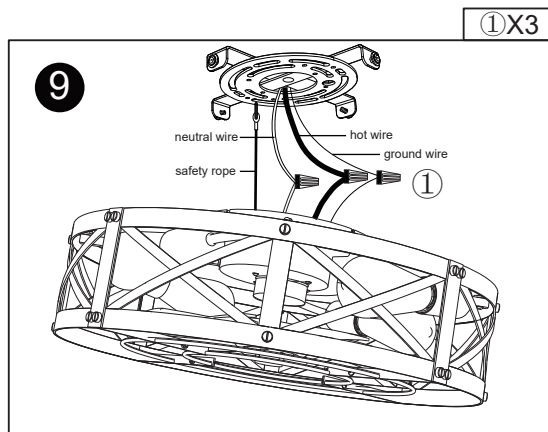
**1** Loosen the four screws on the mounting plate (don't remove them). Turn the mounting plate counterclockwise to unlock and remove it.



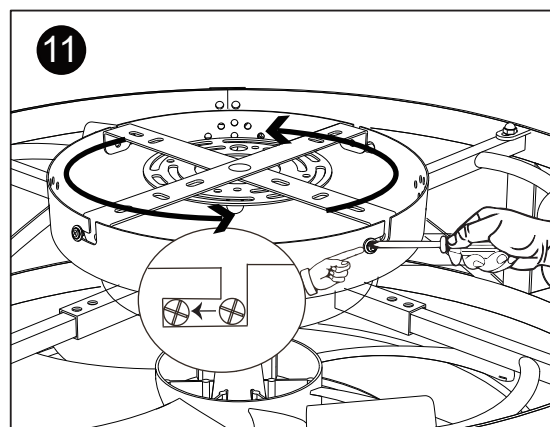
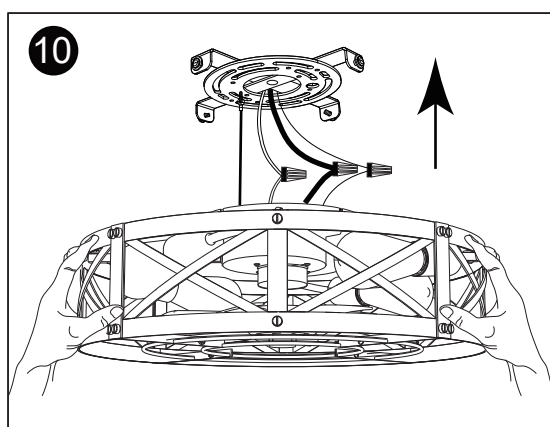
**7** Screw bulbs (not included) into the sockets.  
Recommended bulbs: ST19/T14/A19, LED Type, E26, 120V



**8** According to your ceiling situation, choose the corresponding installation.



**9** Secure the fan to the mounting plate using the pre-assembled safety rope. Connect the "neutral wire" (white wire) from the ceiling to the white wire of the ceiling fan. Connect the "hot wire" (black wire) from the ceiling to the black wire of the ceiling fan. Connect the "ground wire" (green, yellow, or bare) from the ceiling to the green wire from the ceiling fan.



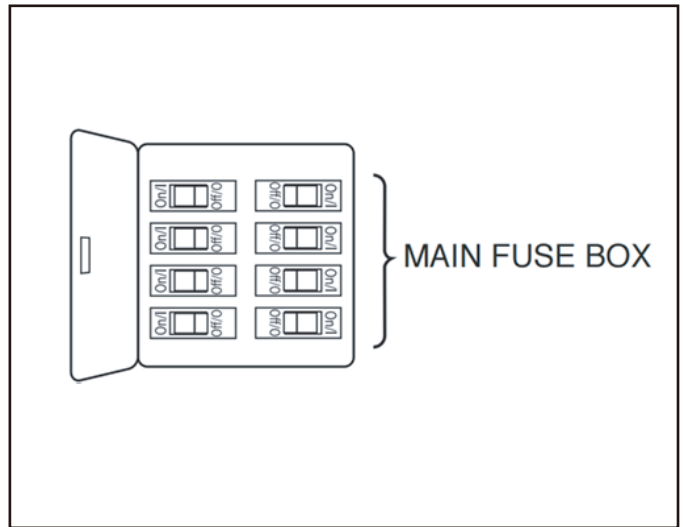
- 10** Push the fan upward, aligning it with the mounting plate.
- 11** Rotate the ceiling fan to align with the grooves, then tighten four screws on the mounting plate.

## How to Use

- **IMPORTANT:** To reduce the risk of fire or electrical shock, do not use a full-range dimmer switch to control the fan speed (Figure 1).
- Ensure the fan is properly and completely installed, then restore power at the main fuse box (Figure 2).
- The wall switch can only control the light.
- To achieve optimal performance, it is recommended to install the fan in a room up to 7.5 ft by 7.5 ft and at a height of 7-10 ft.



(Figure 1)



(Figure 2)

## Energy-saving Usage

For optimal ceiling fan performance and energy savings, proper installation and use are essential. Follow these tips for best results.

### 1. Choosing the Appropriate Mounting Location

For optimal airflow, install the fan in the center of the room, with the bottom at least 7 feet above the floor and 18 inches from walls. If ceiling height permits, mounting it 7 to 9 feet above the floor is recommended.


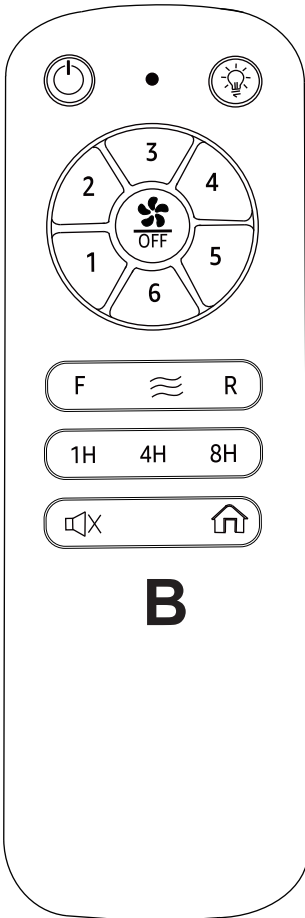





### 2. Turn Off When Not in Use

### 3. Recommended Usage for Different Seasons

- **In Summer:** Use the fan in a counterclockwise direction. The airflow produced can reach a wind-chill effect, making you feel cooler.
- **In Winter:** Use the fan in a clockwise direction, which can push the warm air near the ceiling down to the lower space.


# Remote Control

**Note:** Turn the light back on after more than 10s, it will retain the previous state.

	All off	
	Light on/off CCT change (press quickly)	
1-6	Fan speed	
	Fan off	
	Natural wind	
<b>F</b>	Forward rotation of fan blades	
<b>R</b>	Reverse rotation of fan blades	
1h 4h 8h	Quick timer setting (1H-4H-8H)	
	<b>Anti-theft mode</b> (Pressing the button will turn off the light and fan. Then the light and fan will run for 5 minutes every 2 hours.)	
	Mute	

To operate the fan, please install 2 AAA batteries (not included) in the remote control. If the remote will not be used for an extended period, remove the batteries to prevent damage. Store the remote away from excessive heat and humidity.

The remote control can be used to control multiple receivers.

1. For the ceiling fan you want to pair, turn off the power for at least 60 seconds.
2. Turn the power back on, then press and hold the " " button for 3-5 seconds.
3. A beep sound indicates a successful pairing. If the pairing process is unsuccessful, please repeat the above steps.

# Troubleshooting

## WARNING

For your safety, always turn off the power at the fuse box or circuit breaker before troubleshooting.

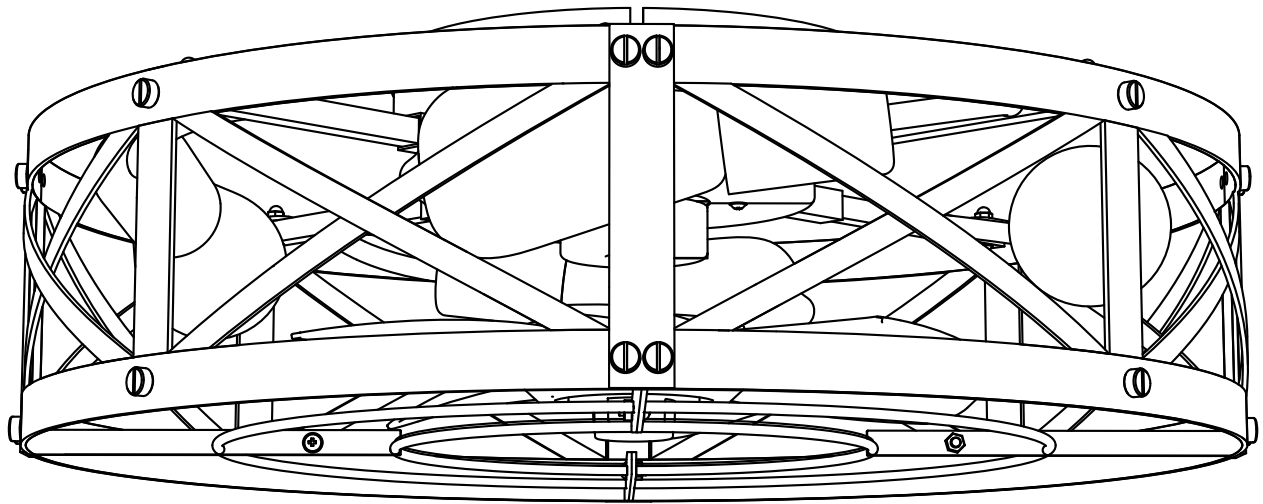
Problems	Possible Causes	Solutions
The fan won't start or the light won't turn on.	Fuse or circuit breaker blows.	Check the fuse and circuit breaker. Replace the fuse or reset the circuit breaker as necessary.
	Loose power line connections at the fan.	Check the line connections. Ensure they are installed and tightened properly. <b>Caution:</b> Ensure the main power is turned off before handling.
	Incorrect wiring between the junction box and the fan.	
	The junction box is damaged due to incorrect connection.	Contact our after-sales service for support.
The fan wobbles excessively.	Loose screws on the mounting plate.	Tighten any loose screws.
	Loose screws on the fan housing.	
	The safety rope is not tightened.	Tighten the safety rope.
The fan operates noisily.	Loose screws on the mounting plate.	Tighten any loose screws.
	Loose screws on the fan housing.	
	Foreign objects entangled in the fan blades.	Turn off the fan and remove the foreign objects.
The remote control does not work.	The remote battery is depleted.	Replace with a new battery.
	The battery is not installed correctly.	Reinstall the battery correctly.
	The remote and the fan are not paired.	Repair the remote with the fan.

# Maintenance

1. Clean the fan periodically or as needed.
2. When cleaning, use only a soft brush or lint-free cloth to avoid scratching.
3. Do not use water, as it may damage the fan and cause electrical shock. Always dry clean it.

# Warranty Information

1. This product is covered by a **one (1) -year** limited warranty against defects in materials and workmanship, valid only for the original purchaser. The warranty period begins on the date of retail purchase and is non-transferable.
2. This warranty does not cover normal wear and tear, or any damage resulting from misuse, negligent use, use with improper voltage or current, failure to follow the operating instructions, or any disassembly, repair, or modification not authorized by our after-sales service.
3. Additionally, this warranty does not cover damages caused by Acts of God (such as fire, flood, hurricanes, or tornadoes) or force majeure events (such as arson, power outages, riots, or vandalism).
4. This warranty gives you specific legal rights, and you may also have other rights which vary from state to state (or province to province). Some states (or provinces) do not allow limitations on how long an implied warranty lasts, or the exclusion or limitation of incidental or consequential damages, so the above limitations or exclusions may not apply to you.



## Technical Support

6269443420 | 6267435564

## Other Info

[HJ-Customer-Service@outlook.com](mailto:HJ-Customer-Service@outlook.com)

Thank you for choosing this product. We strive to provide you with the best quality products and service in the industry. Should you have any issues, please don't hesitate to contact us.