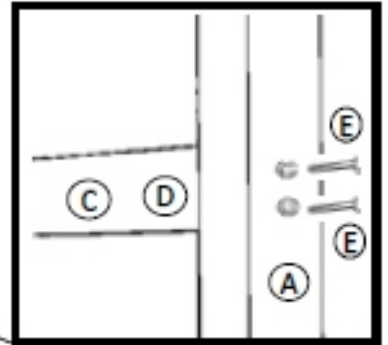
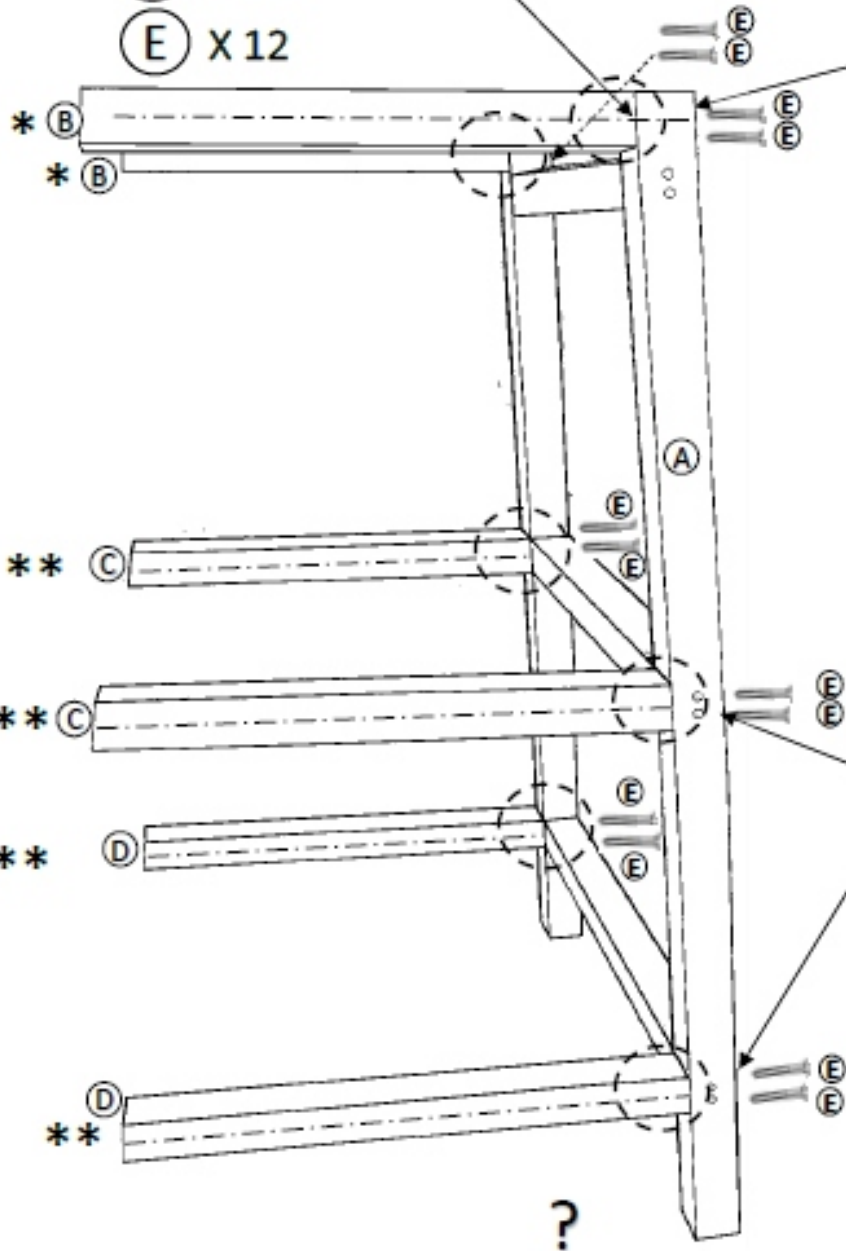
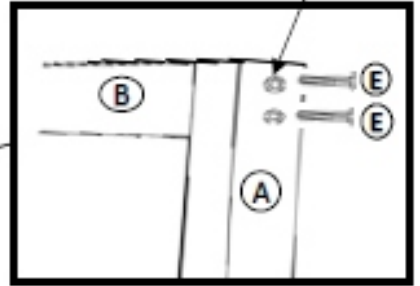
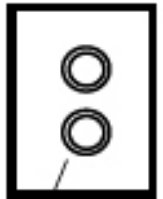
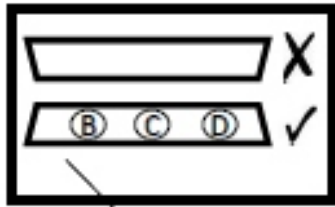


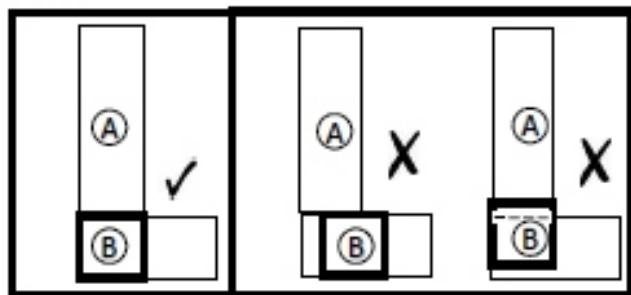
PLEASE DO NOT OVER TIGHTEN SCREWS

1

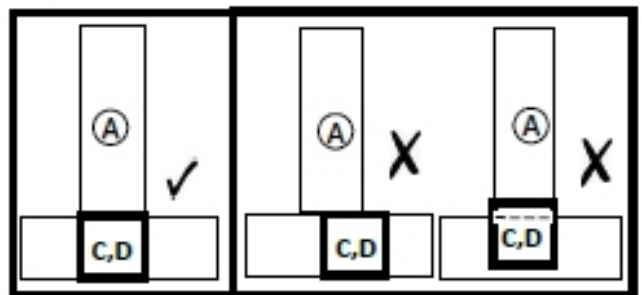
- (A) X 1
- (B) X 2
- (C) X 2
- (D) X 2
- (E) X 12



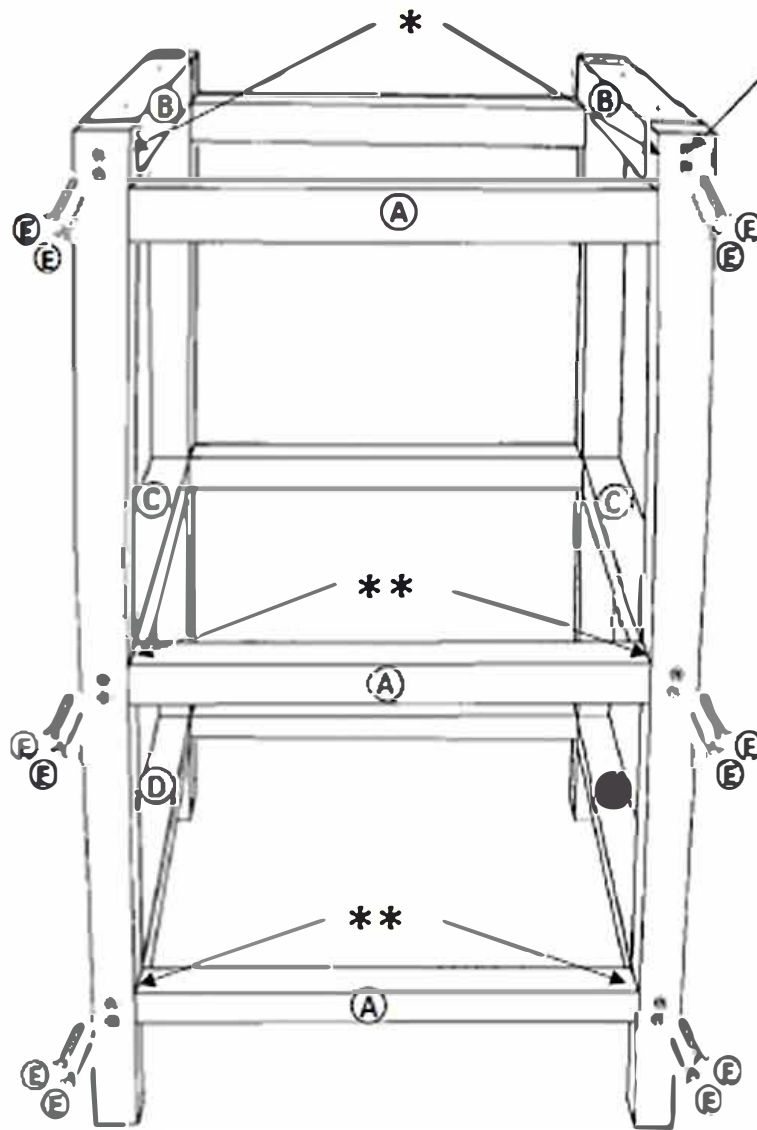
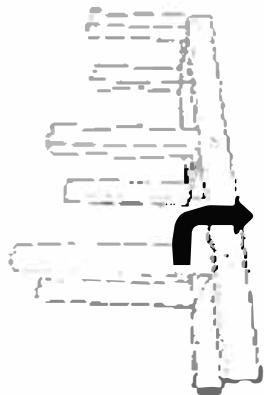
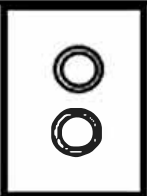
*



**



2 (A) x 1
 (E) x 12



*

**

