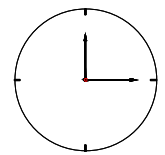


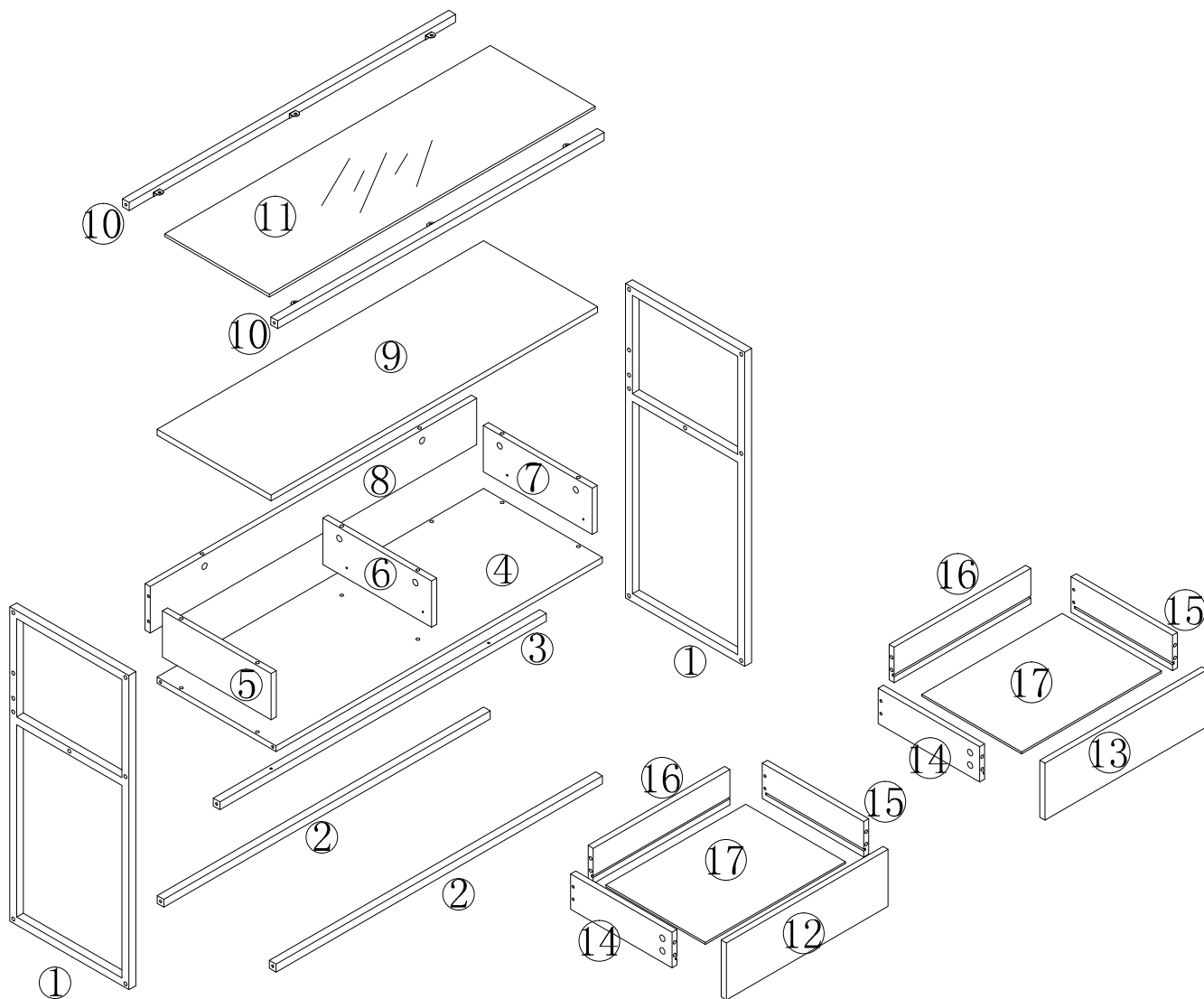
2 Persons



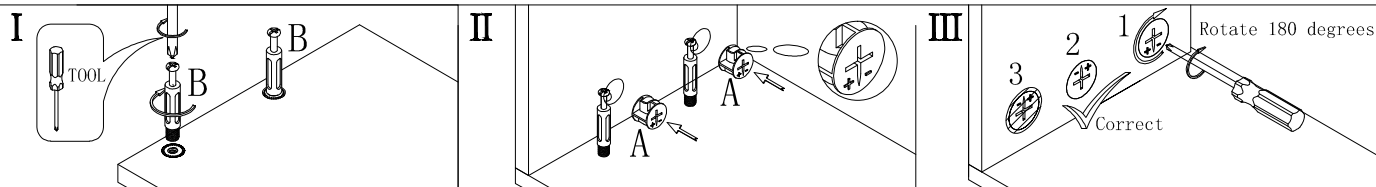
2 hours

READ AND SAVE THIS INSTRUCTION FOR FUTURE USE

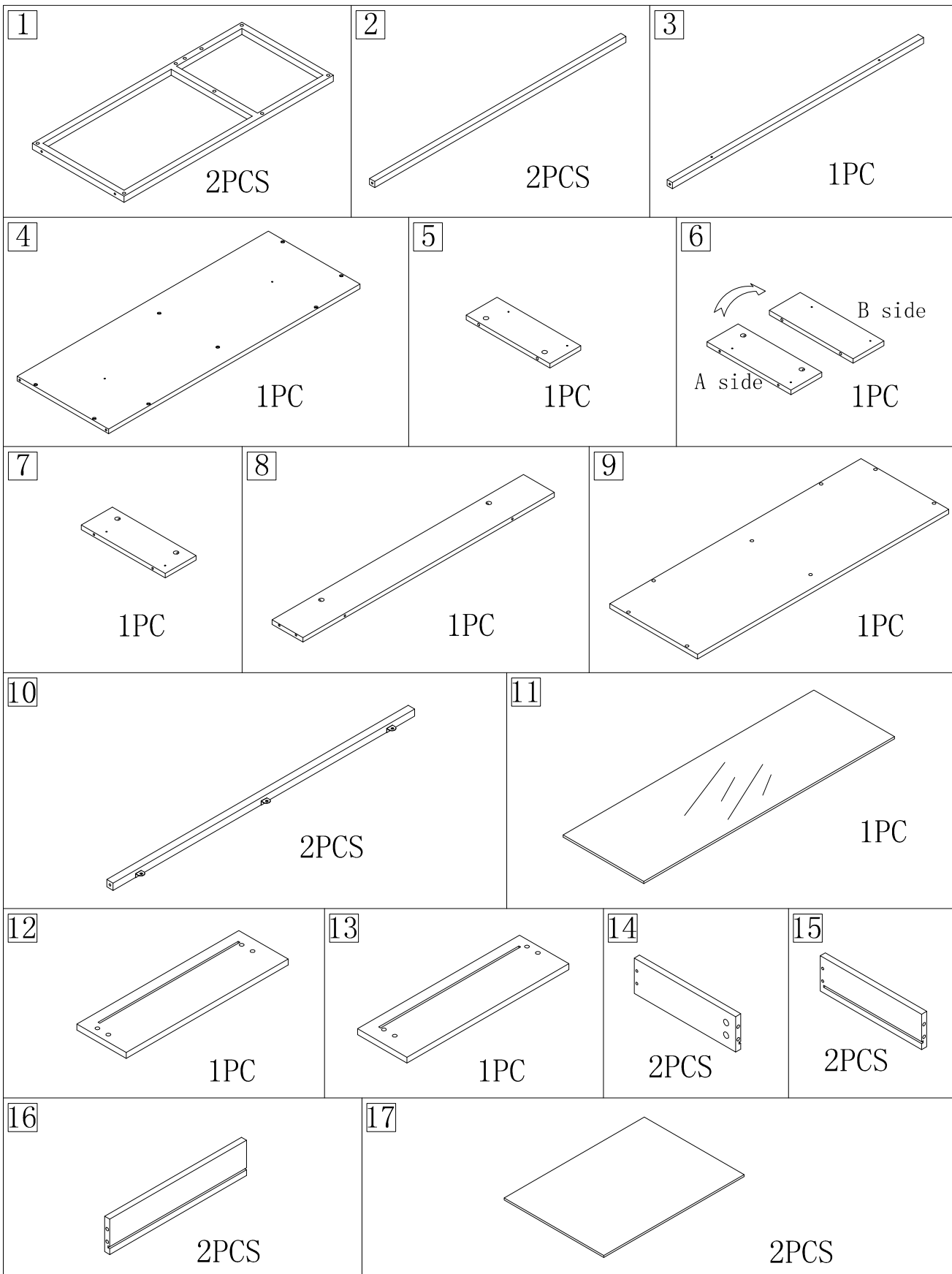
ASSEMBLY INSTRUCTION



Disassembly and installation of accessories



| | | | | | | | |
|---------------------------|-------------------------|----------------------|--------------------------|---------------------------|----------------------------|--------------------------|--------------------------|
| A 16PCS 15*10mm | B 16PCS 6*28mm | C 4PCS ø6mm | D 8PCS ø10*10mm | E 8PCS ø3.5*50mm | F 16PCS ø3.5*14mm | G 10PCS ø6*35mm | H 16PCS ø7*38mm |
| I 2PCS ø3.5*30mm | J 6PCS | K 1PC M4 | L 2PCS | M 2PCS | N 2PCS | O 2PCS | Tools Recommended |



Note : Do not tighten bolts fully until all parts are connected!

Note : Ne serrez pas les boulons à fond tant que toutes les pièces ne sont pas connectées!

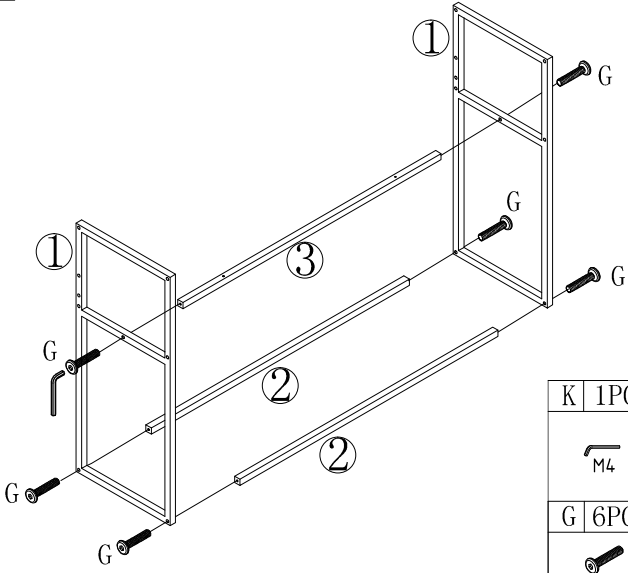
Hinweis: Ziehen Sie die Schrauben erst fest an, wenn alle Teile verbunden sind!

Nota: non serrare completamente i bulloni fino a tutte le parti non sono ancora collegate!

Nota: No apriete los tornillos completamente hasta que todas las partes están conectadas!

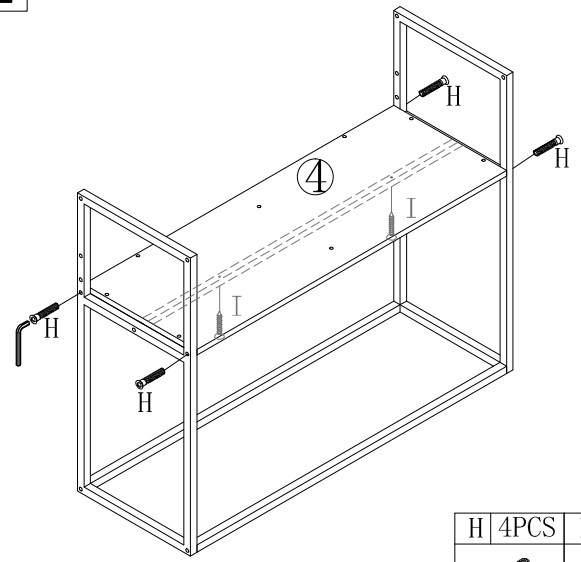


1



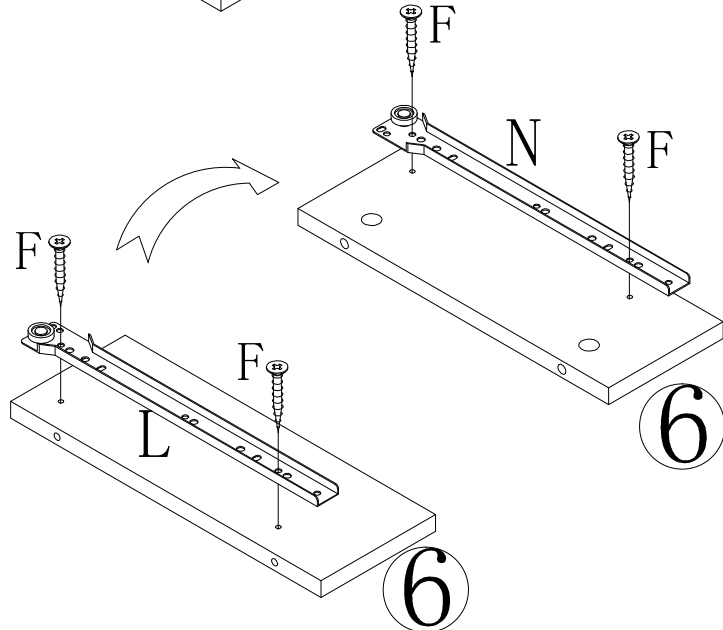
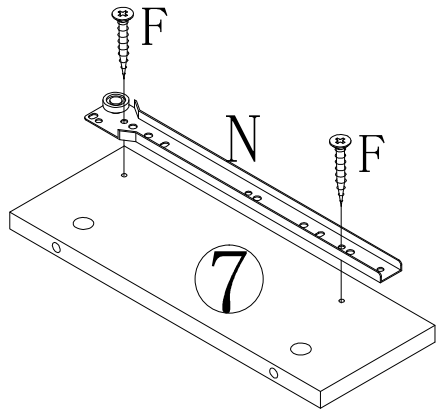
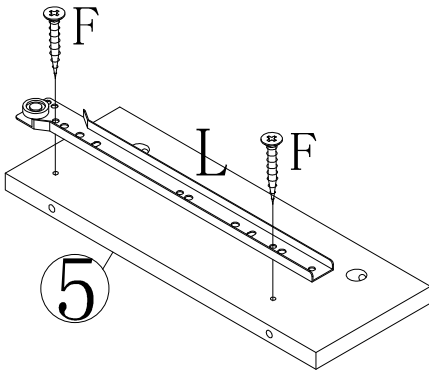
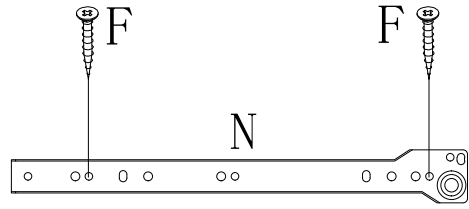
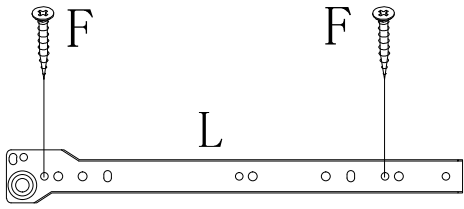
| | |
|---|---------|
| K | 1PC |
| | M4 |
| G | 6PCS |
| | |
| | φ6*35mm |

2



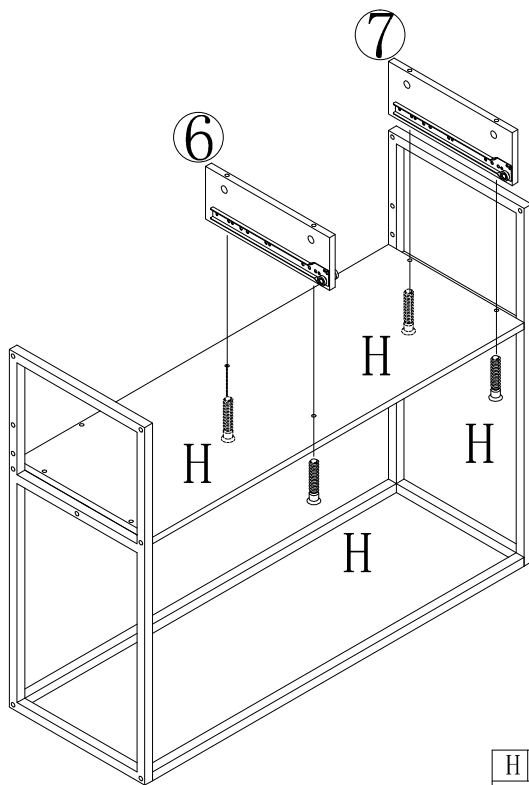
| | | | |
|---|---------|---|-----------|
| H | 4PCS | I | 2PCS |
| | | | |
| | φ7*38mm | | φ3.5*30mm |

3



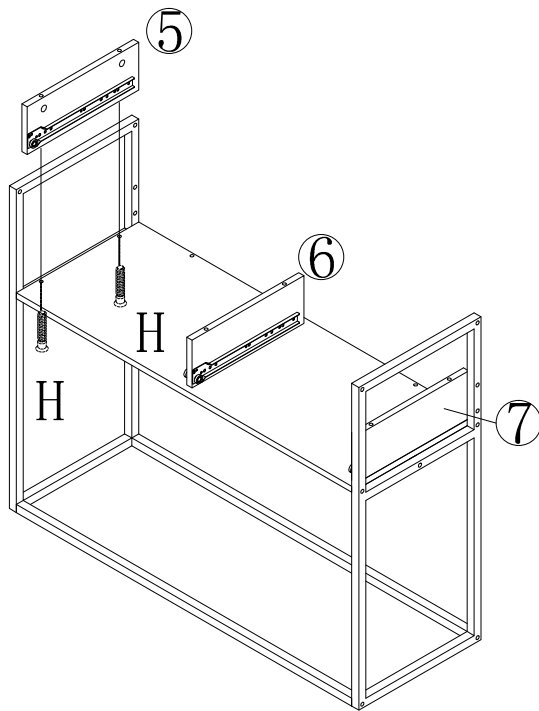
| | |
|---|-----------|
| F | 8PCS |
| | |
| | φ3.5*14mm |
| L | 2PCS |
| | |
| N | 2PCS |
| | |

4



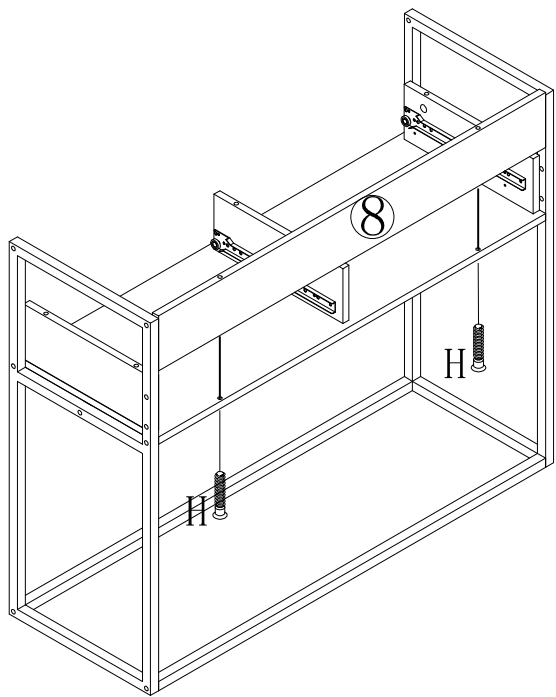
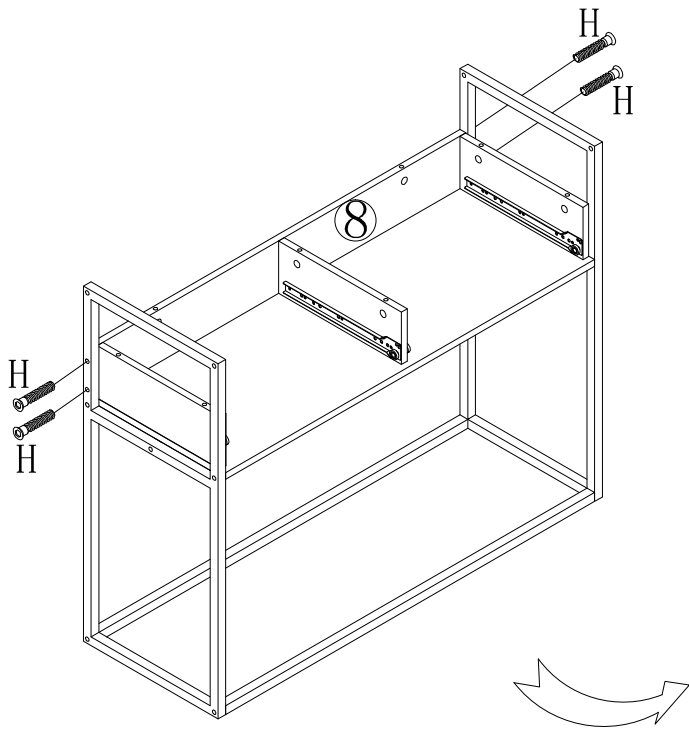
| |
|---|
| H 4PCS |
|  |
| φ7*38mm |

5



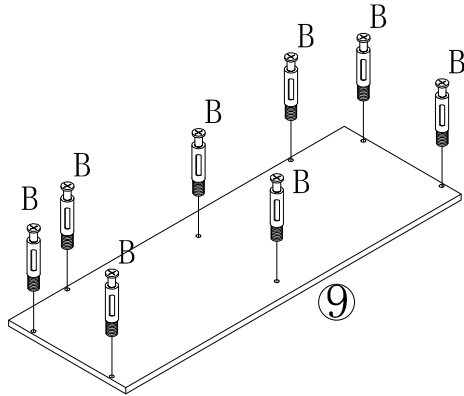
| |
|---|
| H 2PCS |
|  |
| φ7*38mm |


6



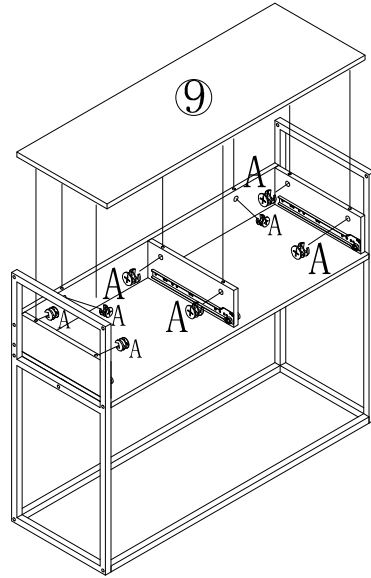
| |
|---|
| H 6PCS |
|  |
| φ7*38mm |


7



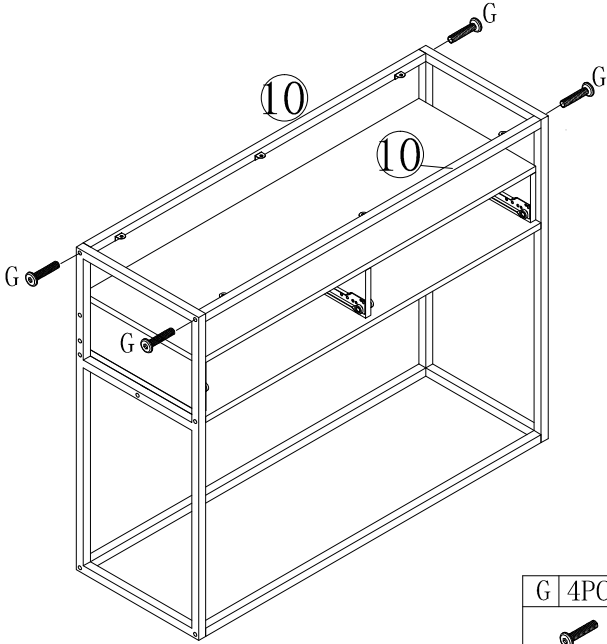
| |
|---|
| B 8PCS |
|  |
| 6*28mm |

8



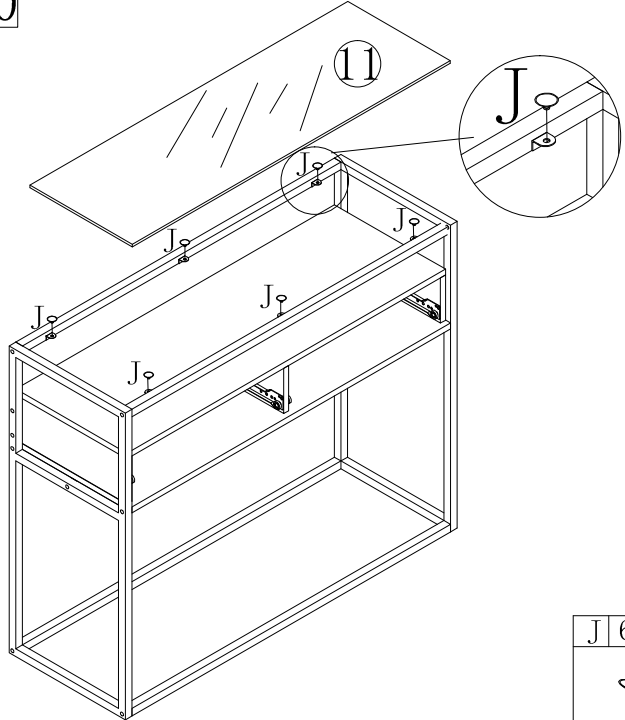
| |
|---|
| A 8PCS |
|  |
| 15*10mm |


9



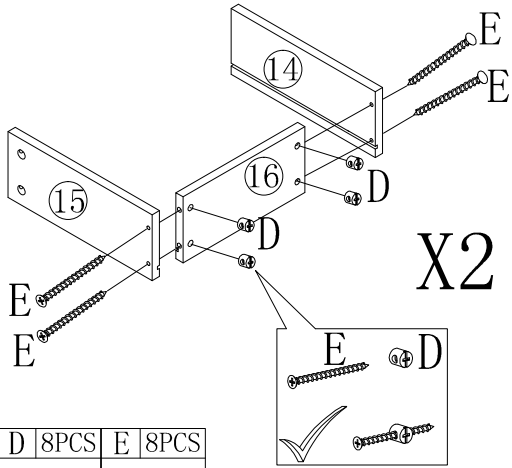
| |
|---|
| G 4PCS |
|  |
| ∅6*35mm |



10



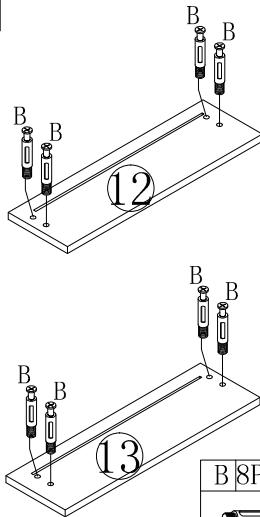
| |
|---|
| J 6PCS |
|  |


11



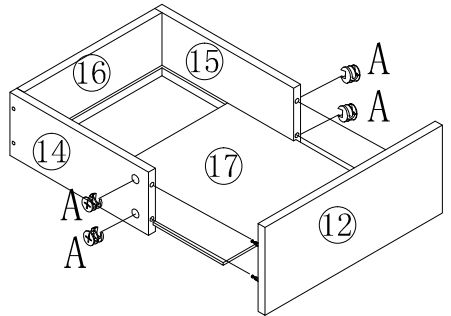
| | |
|---|---|
| D 8PCS | E 8PCS |
|  |  |
| 10*10mm | 3.5*50mm |


12




| |
|---|
| B 8PCS |
|  |
| 6*28mm |

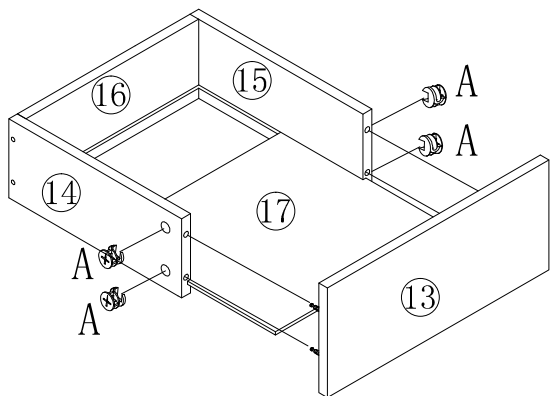
13






| |
|---|
| A 4PCS |
|  |
| 15*12mm |

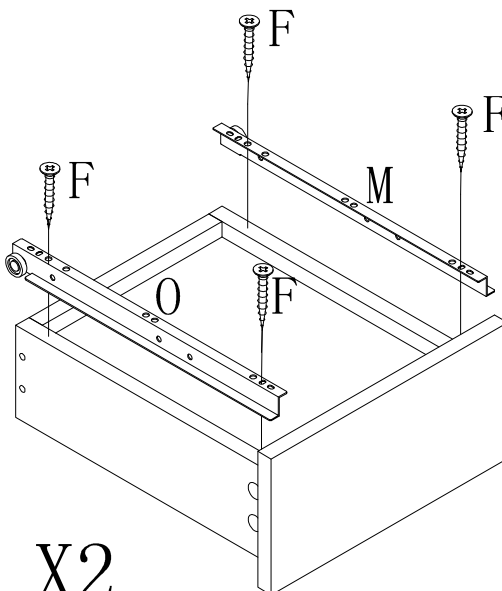
14

| | |
|---|------|
| A | 4PCS |
|  | |
| 15*12mm | |



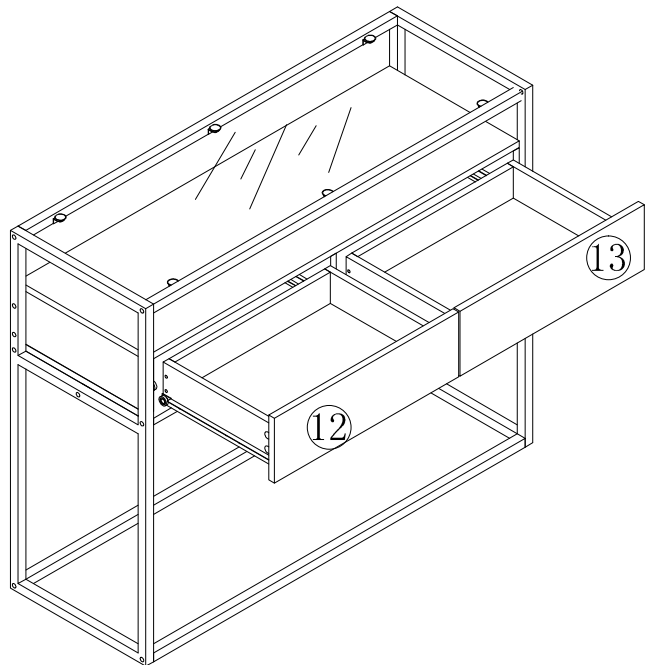
15

| | |
|---|------|
| F | 8PCS |
|  | |
| Ø4*14mm | |
| M | 2PCS |
|  | |
| O | 2PCS |
|  | |

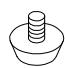


X2

16



17

| | |
|---|------|
| C | 4PCS |
|  | |
| Ø6mm | |

