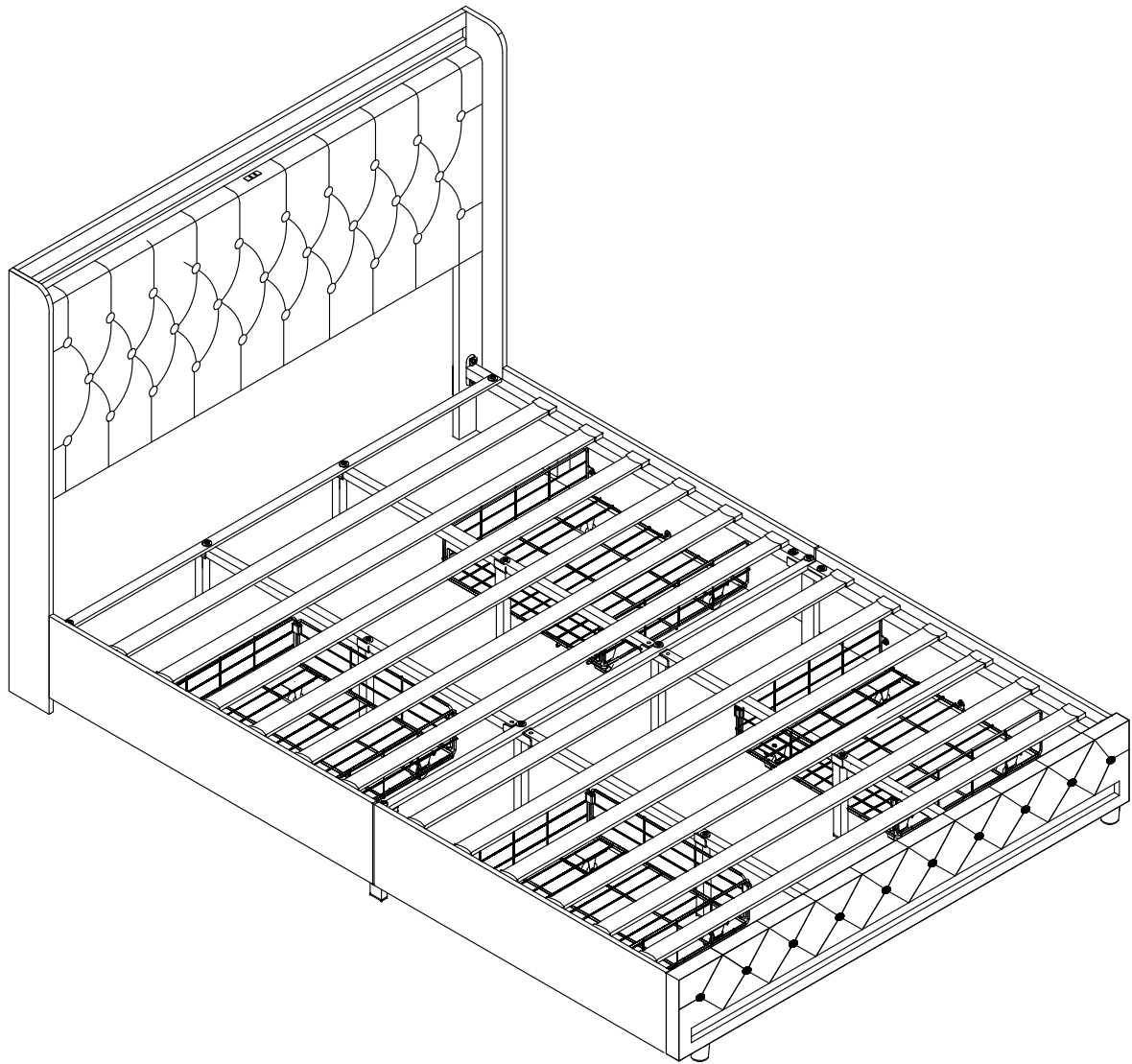


Instruction Manual



Bed Frame (King Size)

HFT-UP-082 / HFT-UP-087 V1.0

EN

Thank you for purchase on our products. Please contact us if you have difficulty with assembly or need replacement parts. Our customer service is here to assist you. Please attach your User Name or Order ID so that we can assist you better.

WARNING

Serious or fatal injury may occur from unexpected assembly or use.

1. During the assembly process, keep all parts away from babies or children.
2. Use of tip-over restraints may only reduce, but not eliminate the risk of tip-over.
3. Unless specially designed to accommodate, do not set heavy objects on top of this product.
4. Place the heaviest items on the lowest shelf.
5. Never allow children to climb or bang on drawers, doors or shelves.

DE

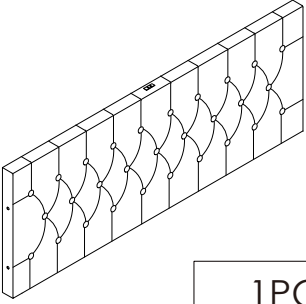
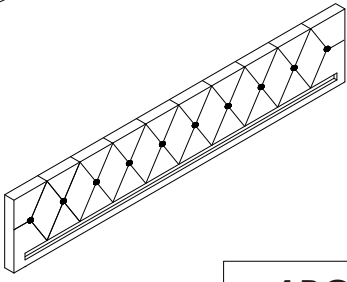


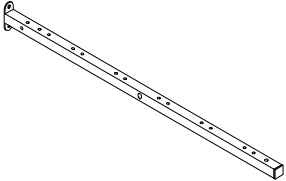
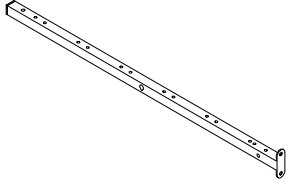
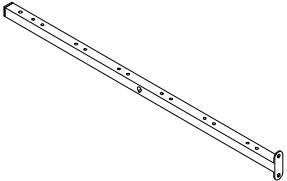
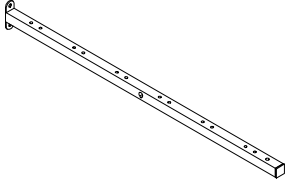
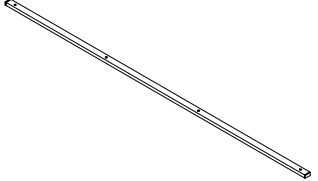
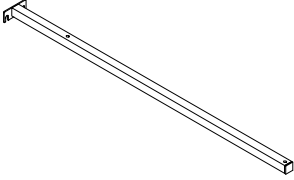
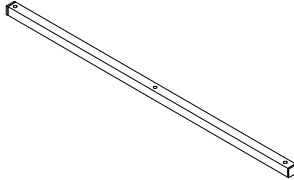
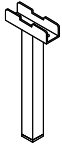
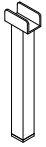
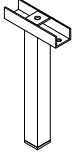

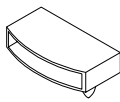
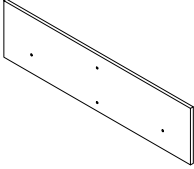

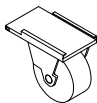
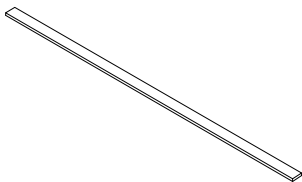

Vielen Dank für Ihren Kauf von uns Produkten. Bitte kontaktieren Sie uns, wenn Sie Probleme mit Montage haben oder Ersatzteile benötigen. Wir Kundenservice ist für Sie da. Bitte geben Sie Ihren Benutzernamen oder Ihre Bestellnummer an, damit wir Sie besser unterstützen können.

WARNUNG


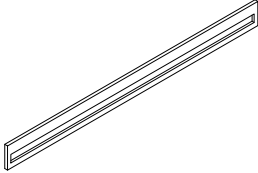
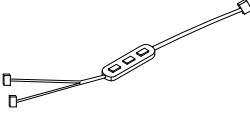
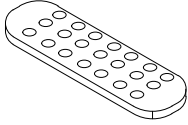
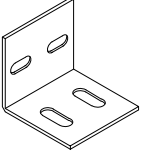
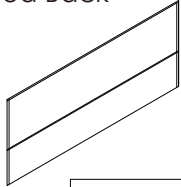
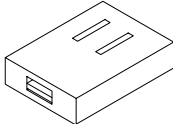
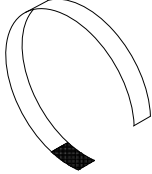
Bei unerwarteter Montage oder Verwendung können schwere oder tödliche Verletzung auftreten.

1. Legen Sie in den Montageprozess alle Teile weg von Babys oder Kindern.
2. Die Verwendung von Kippsicherungen kann die Gefahr eines Kippens nur verringern, jedoch nicht beseitigen.
3. Setzen Sie bitte keine schweren Gegenstände auf dieses Produkt, es sei denn, dass das Produkt speziell für die Unterbringung konzipiert wird.
4. Legen Sie bitte die schwersten Gegenstände auf das unterste Regal.
5. Erlauben Sie nie Kindern, auf Schubladen, Türen oder Regale zu klettern oder zu knallen.

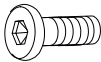
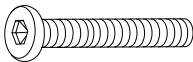
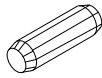
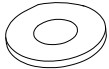
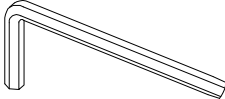
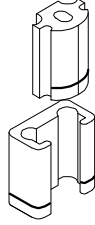
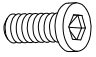
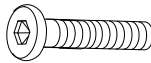

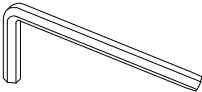
Assembly Instruction of (Bed)

<p>1 Headboard</p>  <p>1PC</p>	<p>2 Footboard</p>  <p>1PC</p>	<p>3L Headboard Side Leg(L)</p>  <p>1PC</p>	
<p>3R Headboard Side Leg(R)</p>  <p>1PC</p>	<p>4 Side Cross Beam</p>  <p>1PC</p>	<p>5 Side Cross Beam</p>  <p>1PC</p>	
<p>6 Side Cross Beam</p>  <p>1PC</p>	<p>7 Side Cross Beam</p>  <p>1PC</p>	<p>8 Middle Cross Beam</p>  <p>2PCS</p>	
<p>9 Back Middle Cross Beam</p>  <p>2PCS</p>	<p>10 Front Middle Cross Beam</p>  <p>2PCS</p>	<p>11 Middle Leg</p>  <p>2PCS</p>	<p>12 Front Leg</p>  <p>6PCS</p>
<p>13 Edge Of The Foot</p>  <p>2PCS</p>	<p>14 Bed Leg</p>  <p>2PCS</p>	<p>15 Wood Slats End Caps</p>  <p>24+2PCS</p>	<p>16 Drawer Panel</p>  <p>4PCS</p>
<p>17 Drawer</p>  <p>4PCS</p>	<p>18 Drawer Wheel</p>  <p>16PCS</p>	<p>19 Slats</p>  <p>12PCS</p>	<p>20L Winbacks(L)</p>  <p>1PC</p>

Assembly Instruction of (Bed)

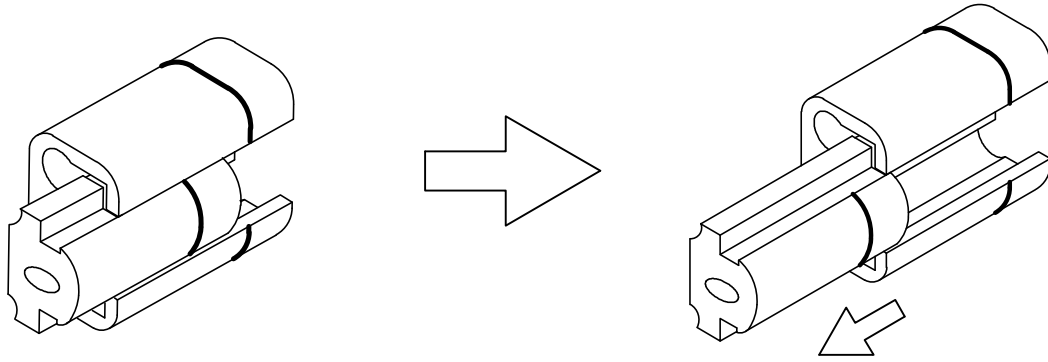
<p>20R Winbacks(R)</p>  <p style="text-align: right; border: 1px solid black; padding: 2px;">1PC</p>	<p>21 Light Board</p>  <p style="text-align: right; border: 1px solid black; padding: 2px;">1PC</p>	<p>22A Adapter Cable</p>  <p style="text-align: right; border: 1px solid black; padding: 2px;">1PC</p>	<p>22B Remote control</p>  <p style="text-align: right; border: 1px solid black; padding: 2px;">1PC</p>
<p>23 L Metal Part</p>  <p style="text-align: right; border: 1px solid black; padding: 2px;">4PCS</p>	<p>24 Cover Fabric Of Bed Back</p>  <p style="text-align: right; border: 1px solid black; padding: 2px;">1PC</p>	<p>25 USB plug</p>  <p style="text-align: right; border: 1px solid black; padding: 2px;">1PC</p>	<p>26 Velced</p>  <p style="text-align: right; border: 1px solid black; padding: 2px;">4PCS</p>

Headware List:

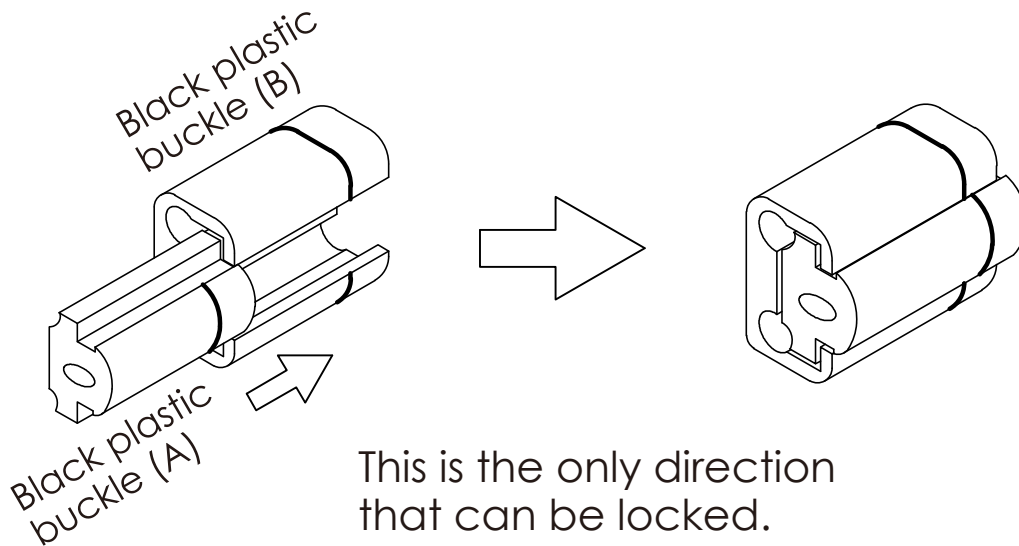
<p>A Screw</p>  <p style="text-align: right; border: 1px solid black; padding: 2px;">5/16"×25mm 12+1PCS</p>	<p>B Screw</p>  <p style="text-align: right; border: 1px solid black; padding: 2px;">5/16"×50mm 24+2PCS</p>	<p>C Wood plug</p>  <p style="text-align: right; border: 1px solid black; padding: 2px;">Ø8×40mm 2PCS</p>
<p>D Flat washer</p>  <p style="text-align: right; border: 1px solid black; padding: 2px;">5/16"×19mm 42+2PCS</p>	<p>E Allen key</p>  <p style="text-align: right; border: 1px solid black; padding: 2px;">M8 1PC</p>	<p>F Drawer connector</p>  <p style="text-align: right; border: 1px solid black; padding: 2px;">8+1PCS</p>
<p>G Screw</p>  <p style="text-align: right; border: 1px solid black; padding: 2px;">1/4"×15mm 32+2PCS</p>	<p>H Screw</p>  <p style="text-align: right; border: 1px solid black; padding: 2px;">5/16"×35mm 6PCS</p>	<p>I Flat washer</p>  <p style="text-align: right; border: 1px solid black; padding: 2px;">1/4"×16mm 16+2PCS</p>
<p>J Allen key</p>  <p style="text-align: right; border: 1px solid black; padding: 2px;">M5 1PC</p>		

Assembly Instruction of (Drawer)

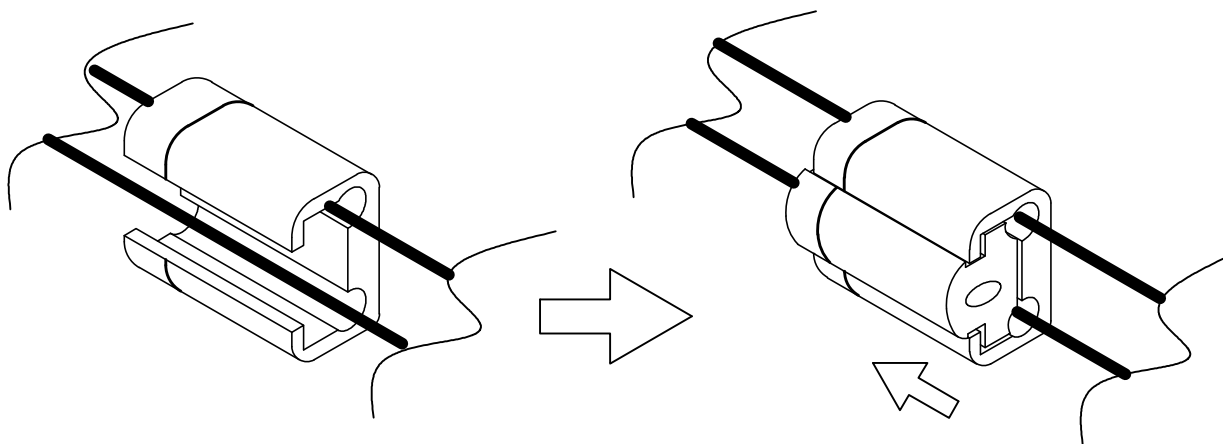
STEP 1



You can pull the buckle out by following the direction indicated by the arrow



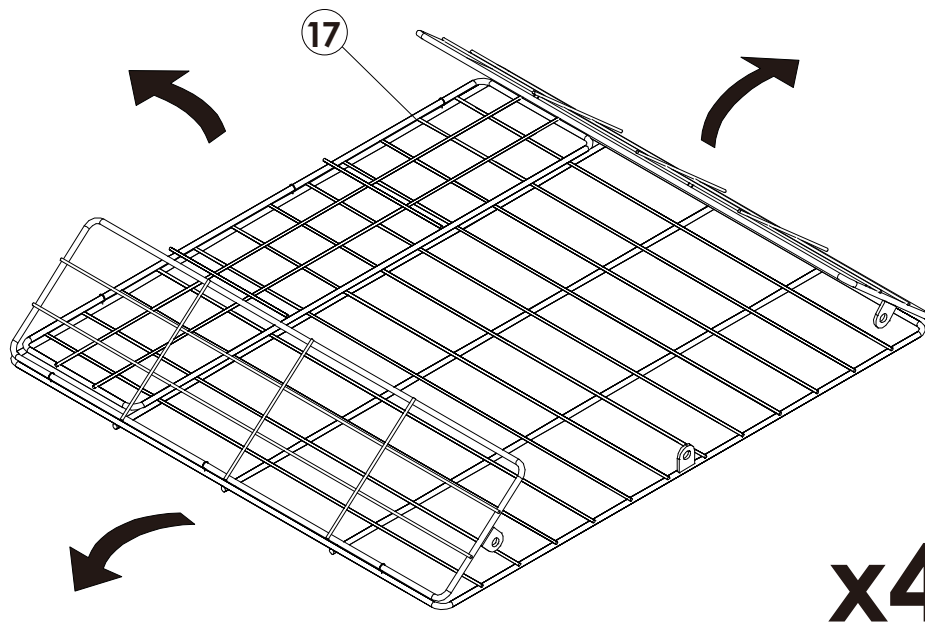
STEP 2



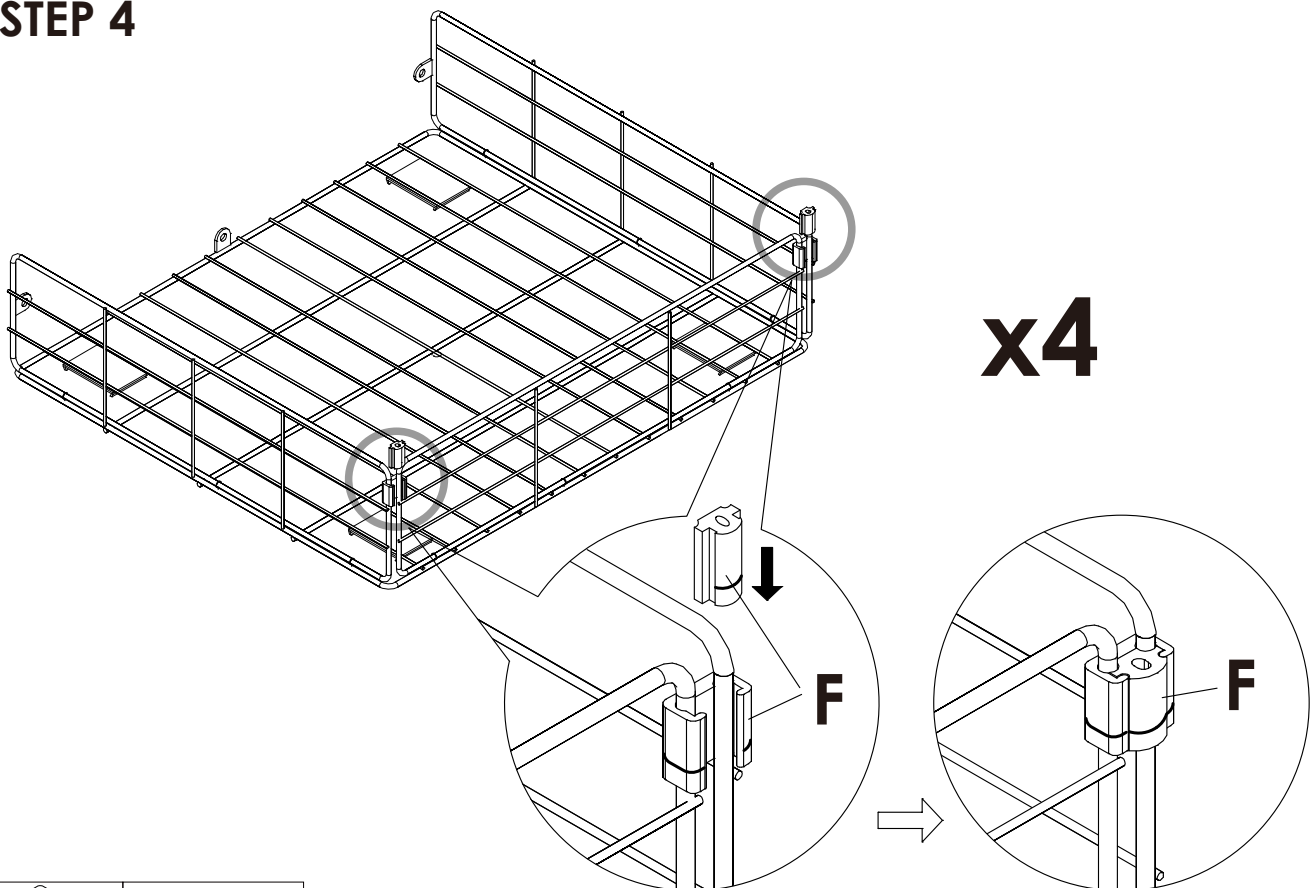
Place round iron tube as shown for better drawer assembly

Assembly Instruction of (Drawer)

STEP 3



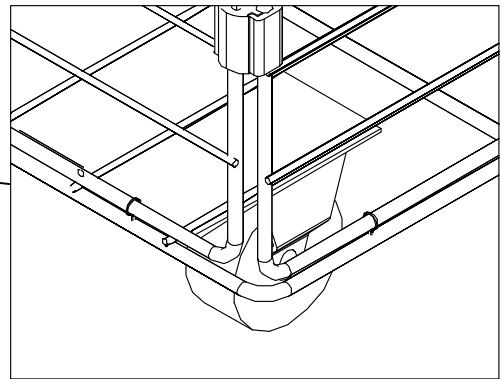
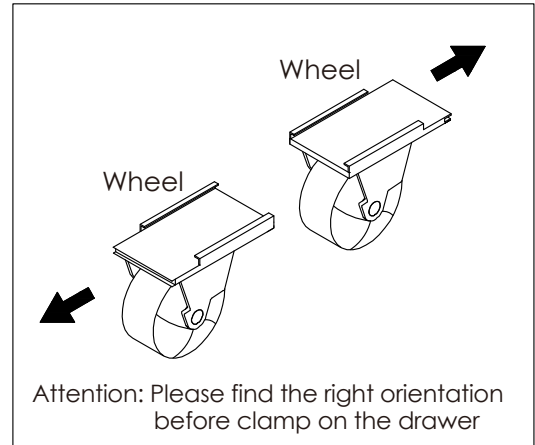
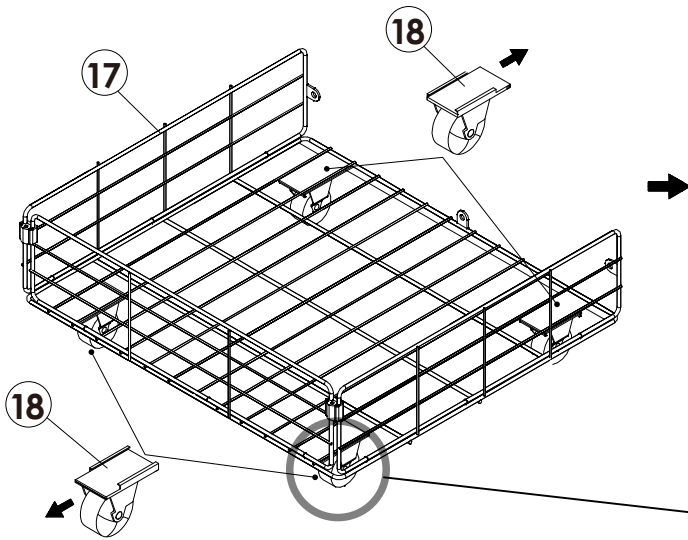
STEP 4



F x 8PCS

Assembly Instruction of (Drawer)

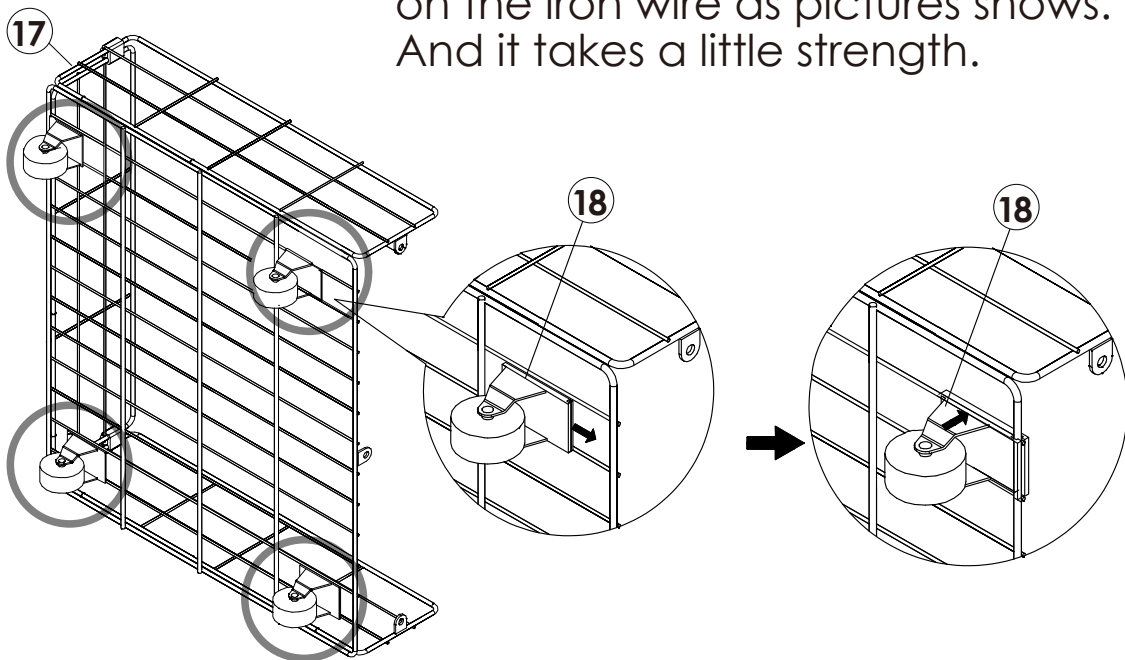
STEP 5



x4

STEP 6

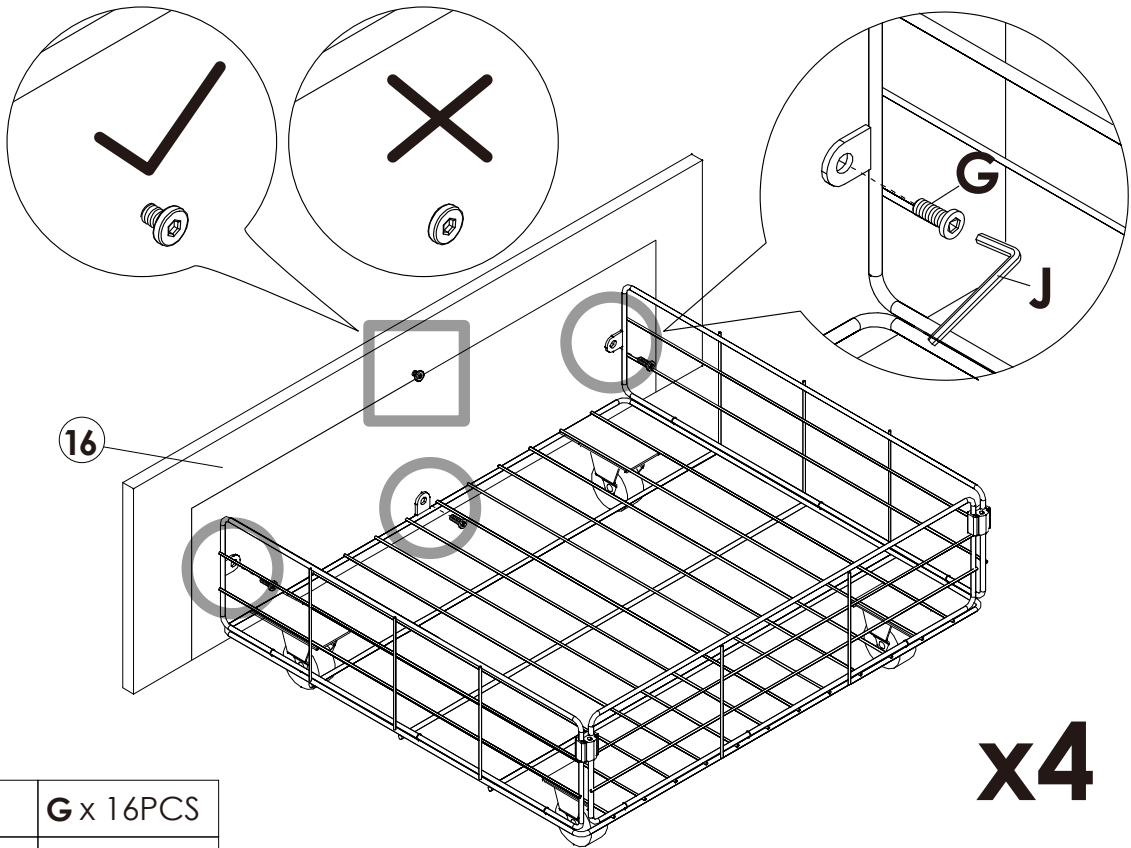
Push the clamp of wheel to clamp on the iron wire as pictures shows. And it takes a little strength.

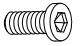



x4

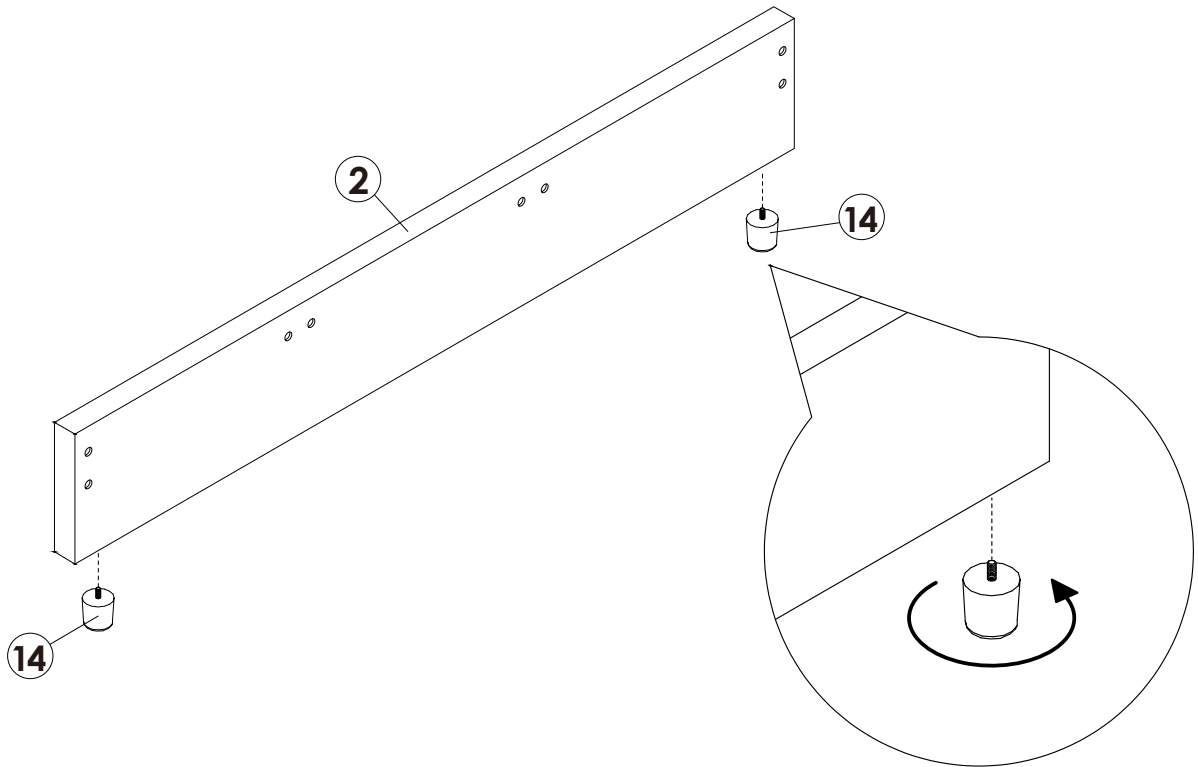
Assembly Instruction of (Drawer)

STEP 7



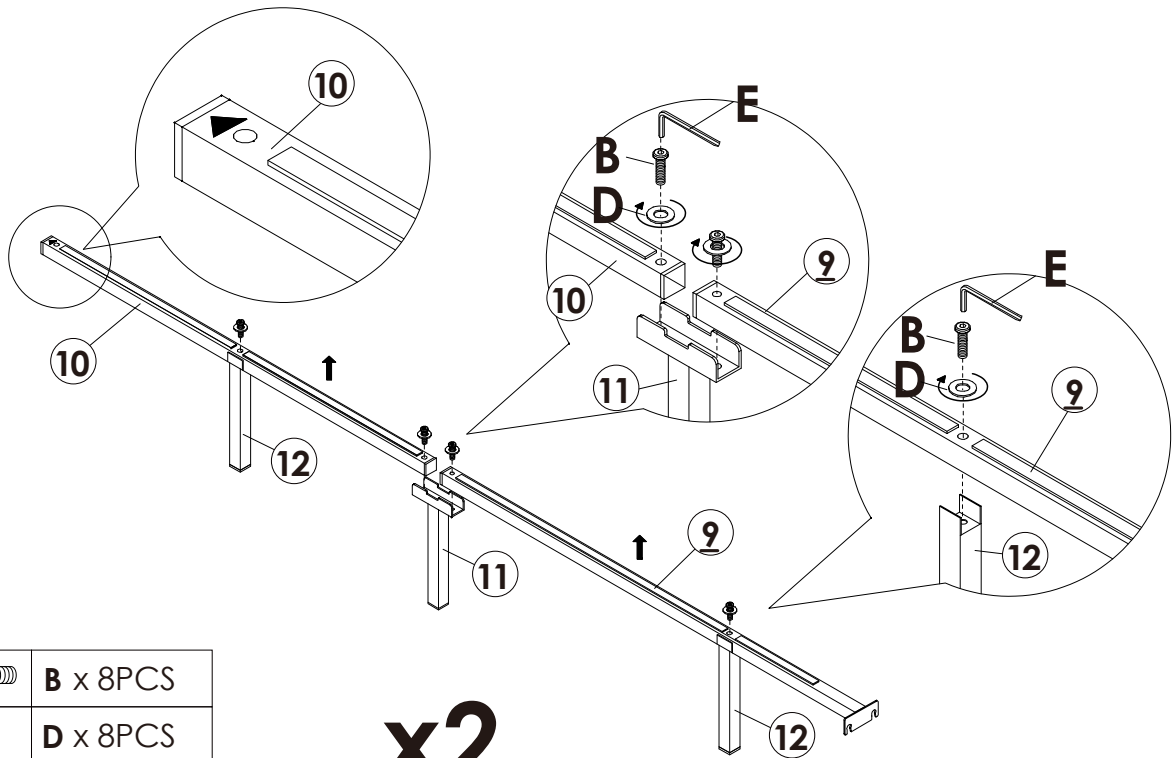
	G x 16PCS
	J x 1PC




STEP 8



Assembly Instruction of (Drawer)

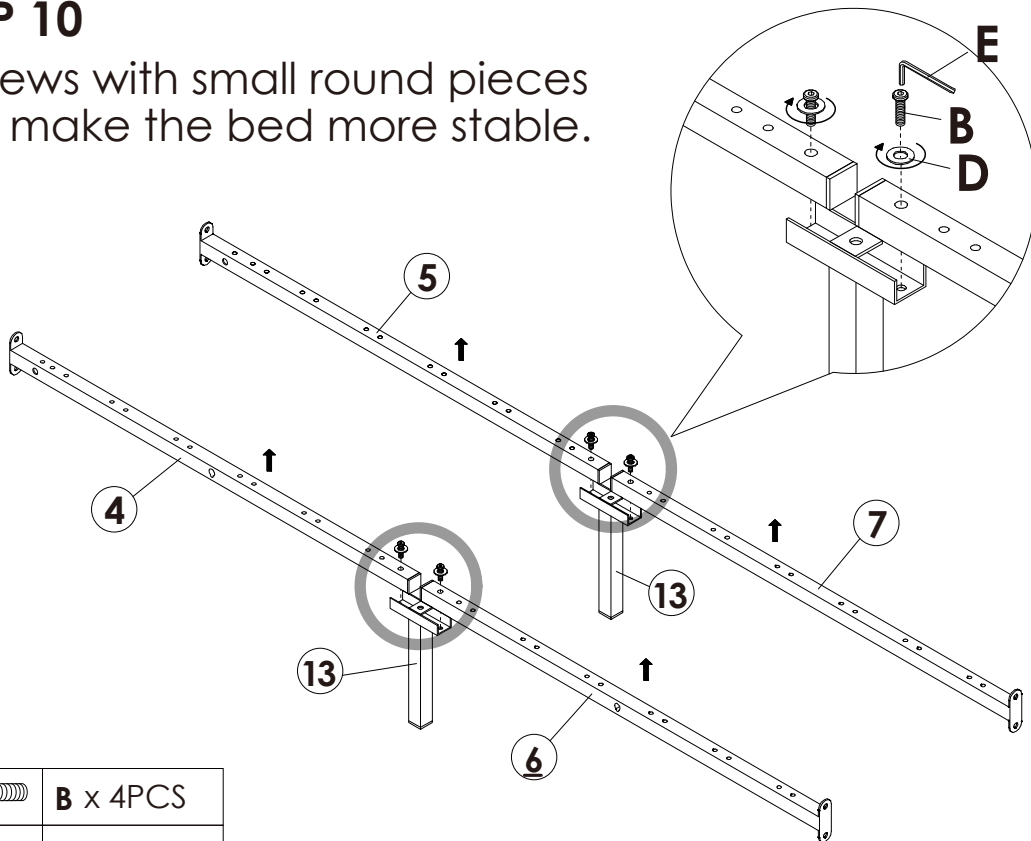
STEP 9 Noted that the middle cross beam, the direction of the red arrow is the front






	B x 8PCS
	D x 8PCS
	E x 1PC

x2

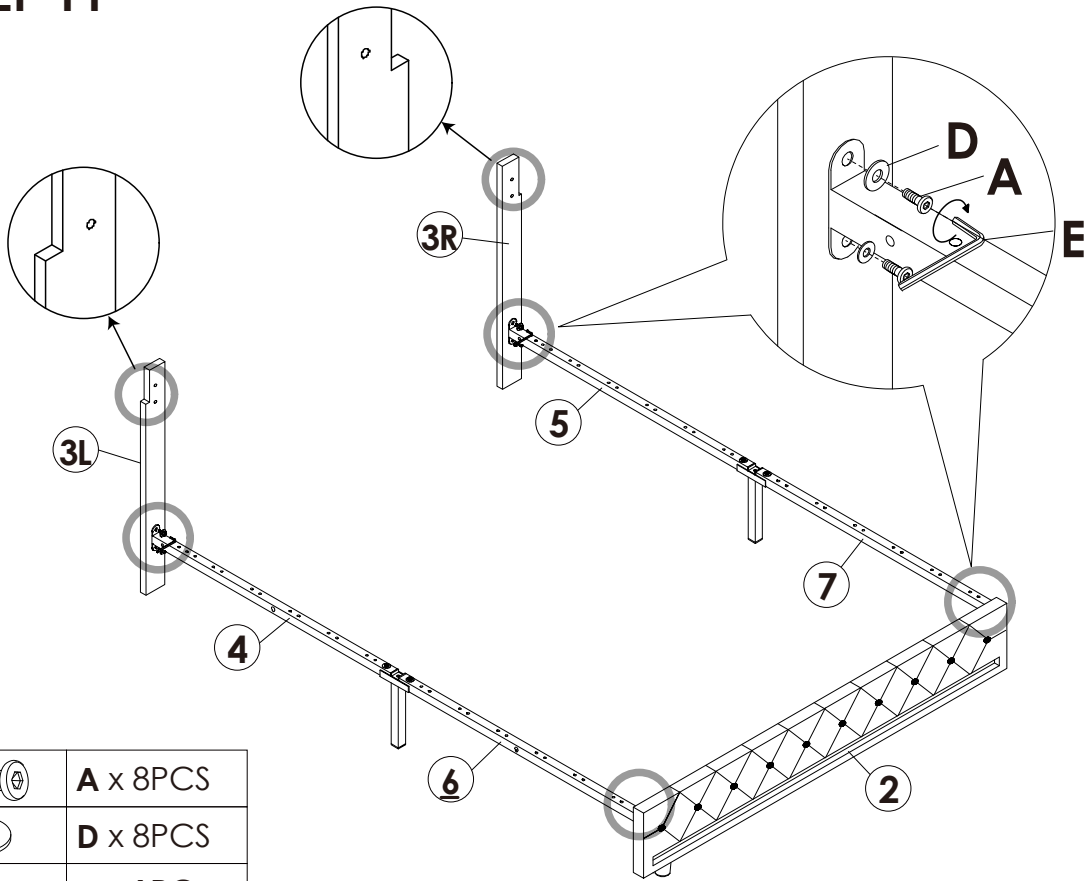
STEP 10
Screws with small round pieces will make the bed more stable.






	B x 4PCS
	D x 4PCS
	E x 1PC

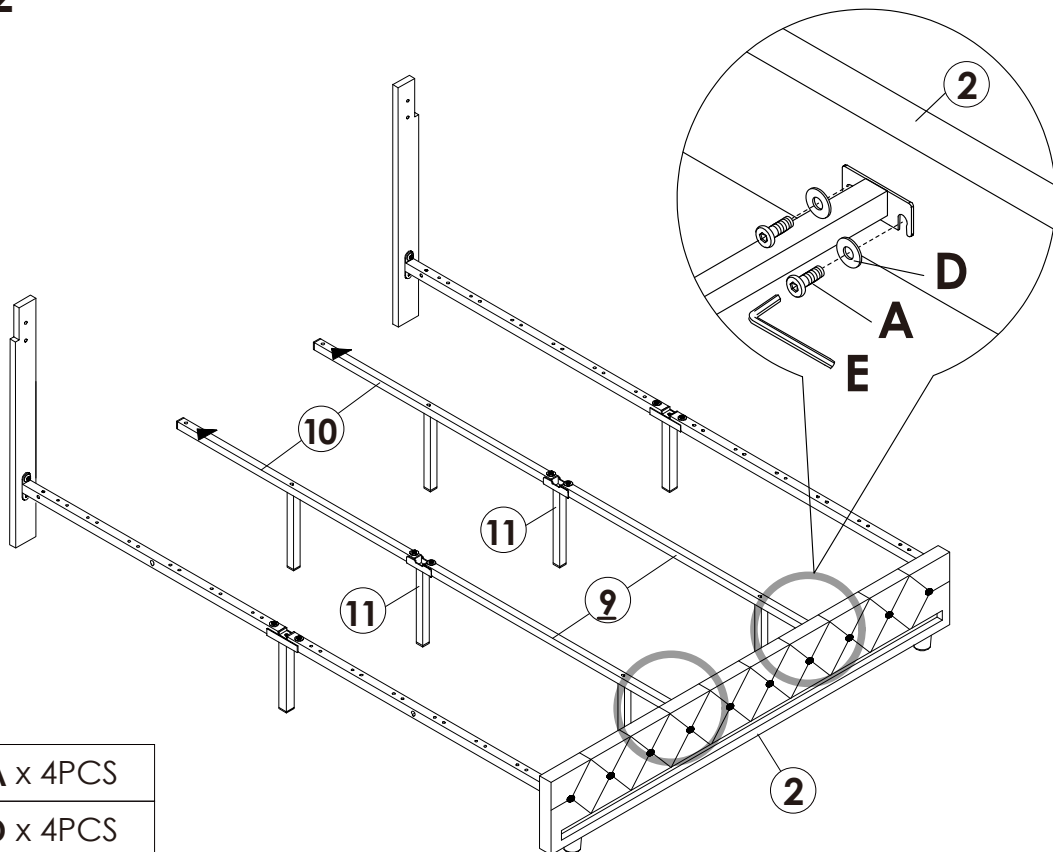
Assembly Instruction of (Drawer)


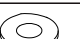

STEP 11



	A x 8PCS
	D x 8PCS
	E x 1PC

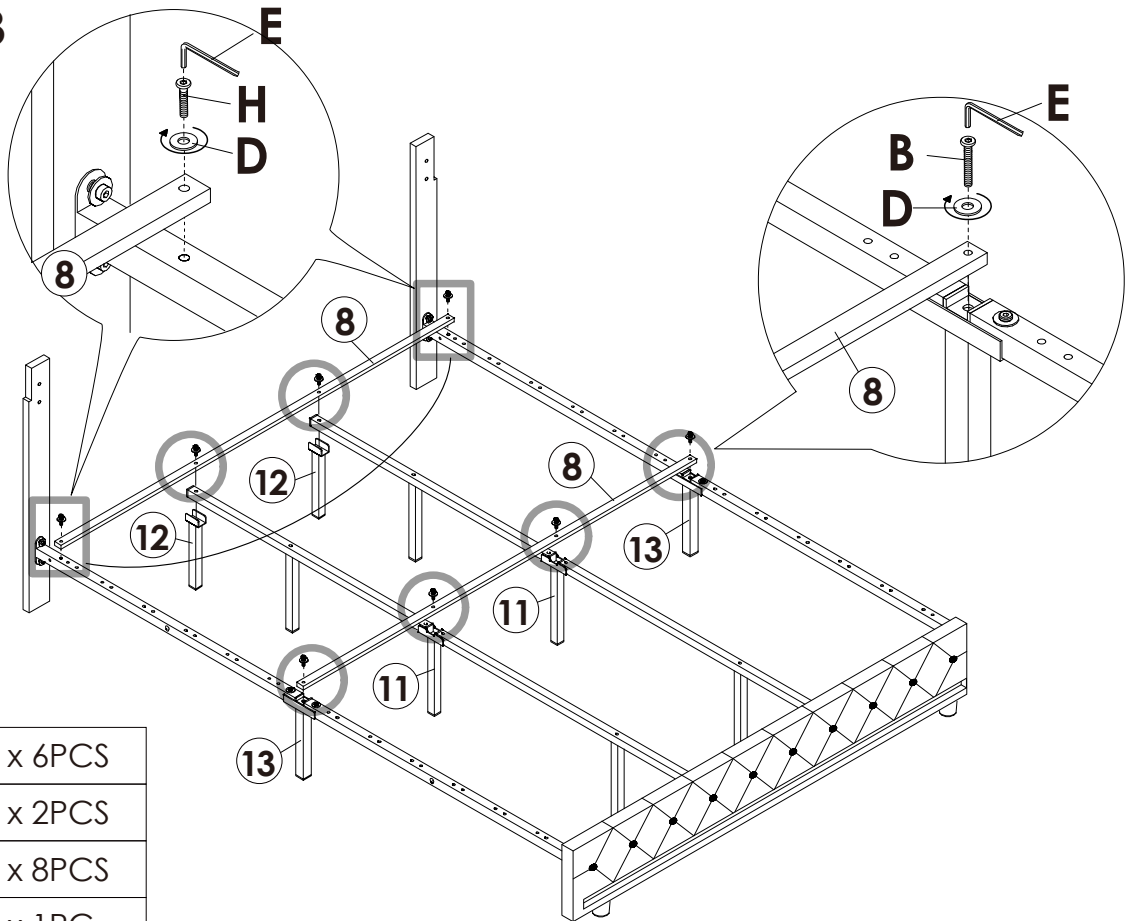
STEP 12


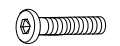




	A x 4PCS
	D x 4PCS
	E x 1PC

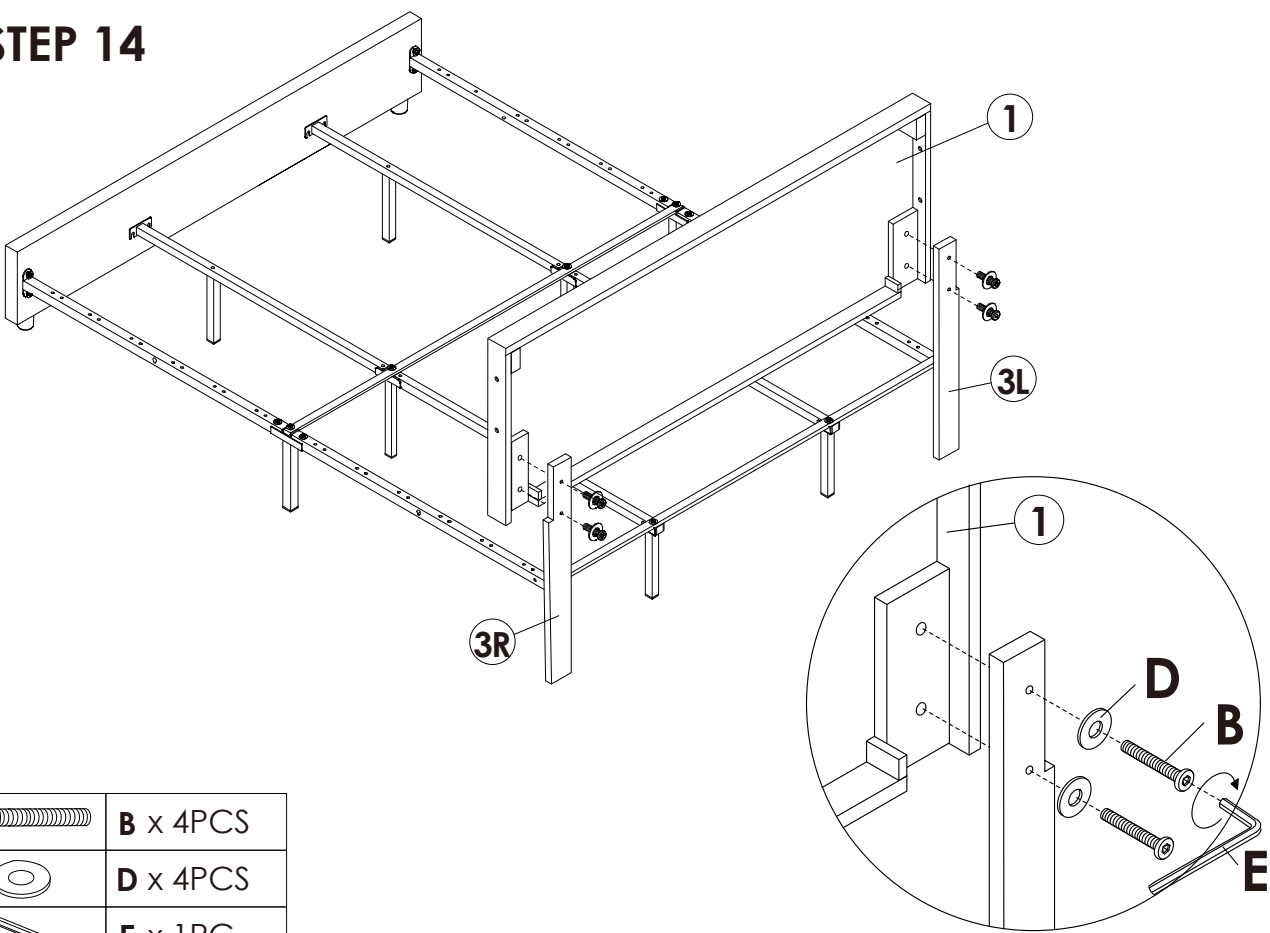
Assembly Instruction of (Drawer)




STEP 13



	B x 6PCS
	H x 2PCS
	D x 8PCS
	E x 1PC

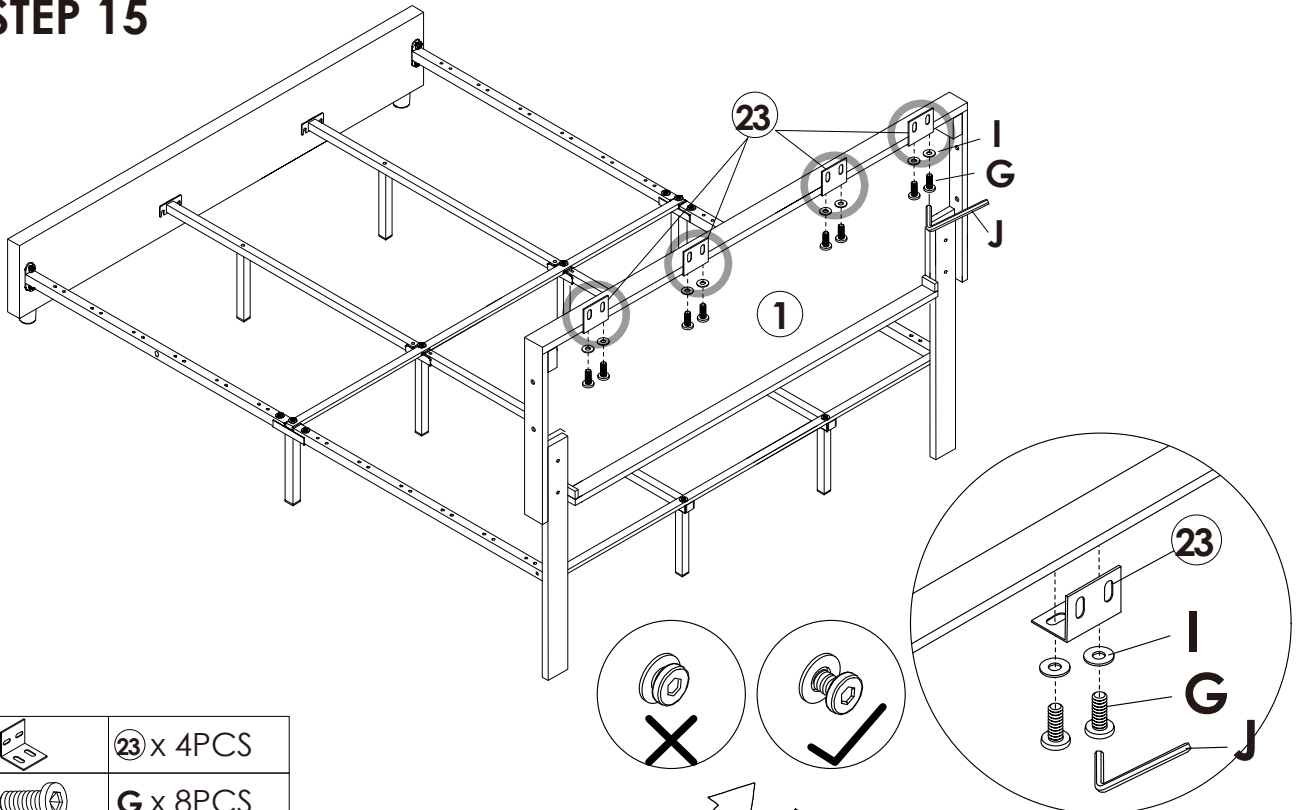
STEP 14



	B x 4PCS
	D x 4PCS
	E x 1PC

Assembly Instruction of (Drawer)

STEP 15

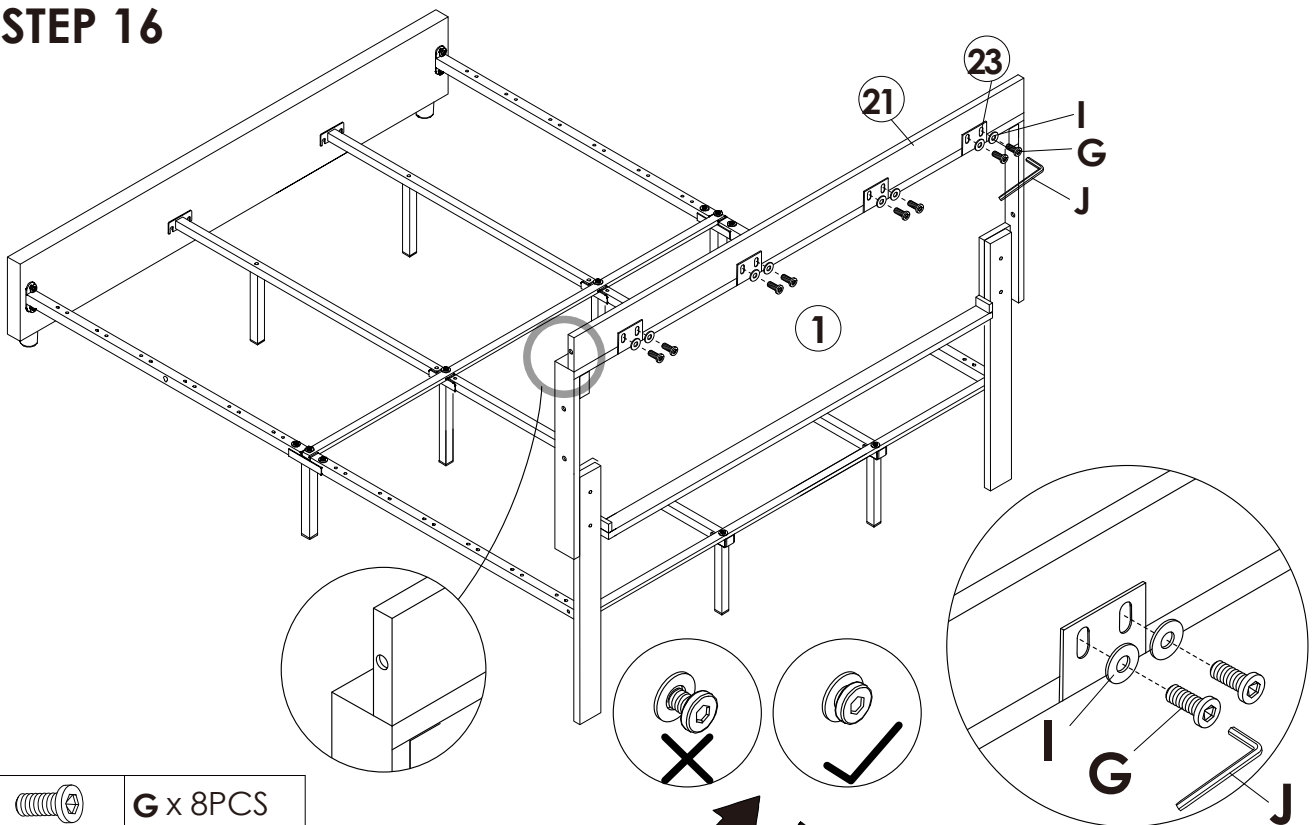


	23 x 4PCS
	G x 8PCS
	I x 8PCS
	J x 1PC



please do not tighten them too much

STEP 16



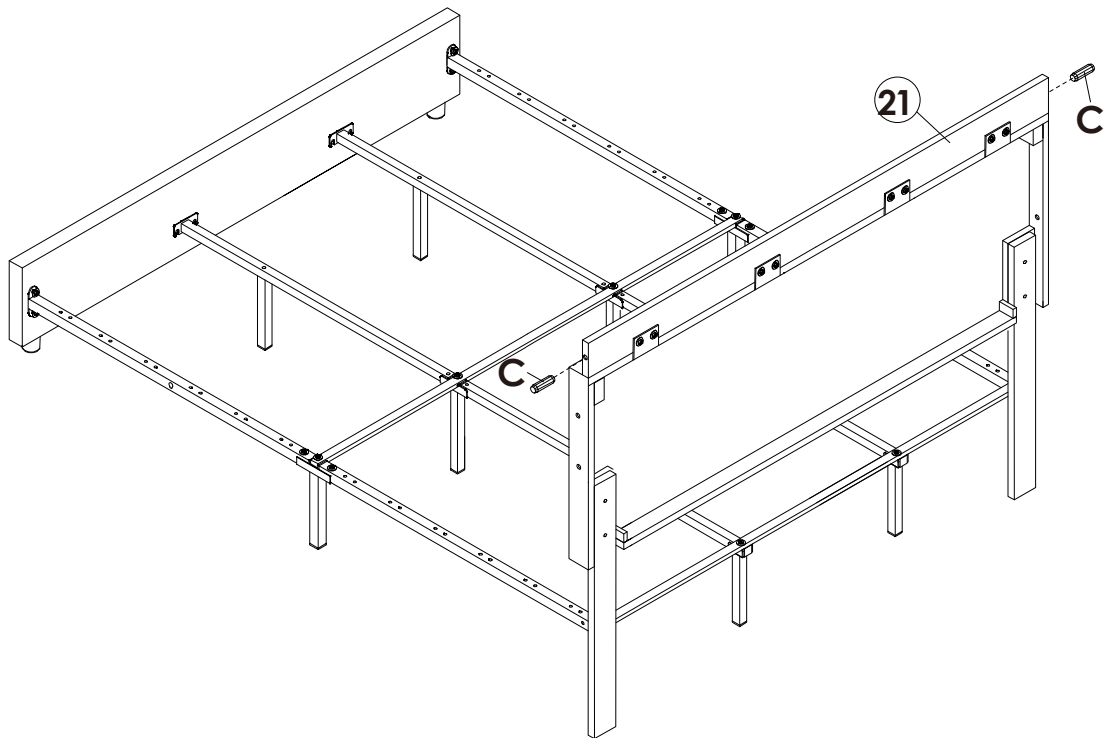
	G x 8PCS
	I x 8PCS
	J x 1PC



Tight all the innerscrew after all holes are aligned.

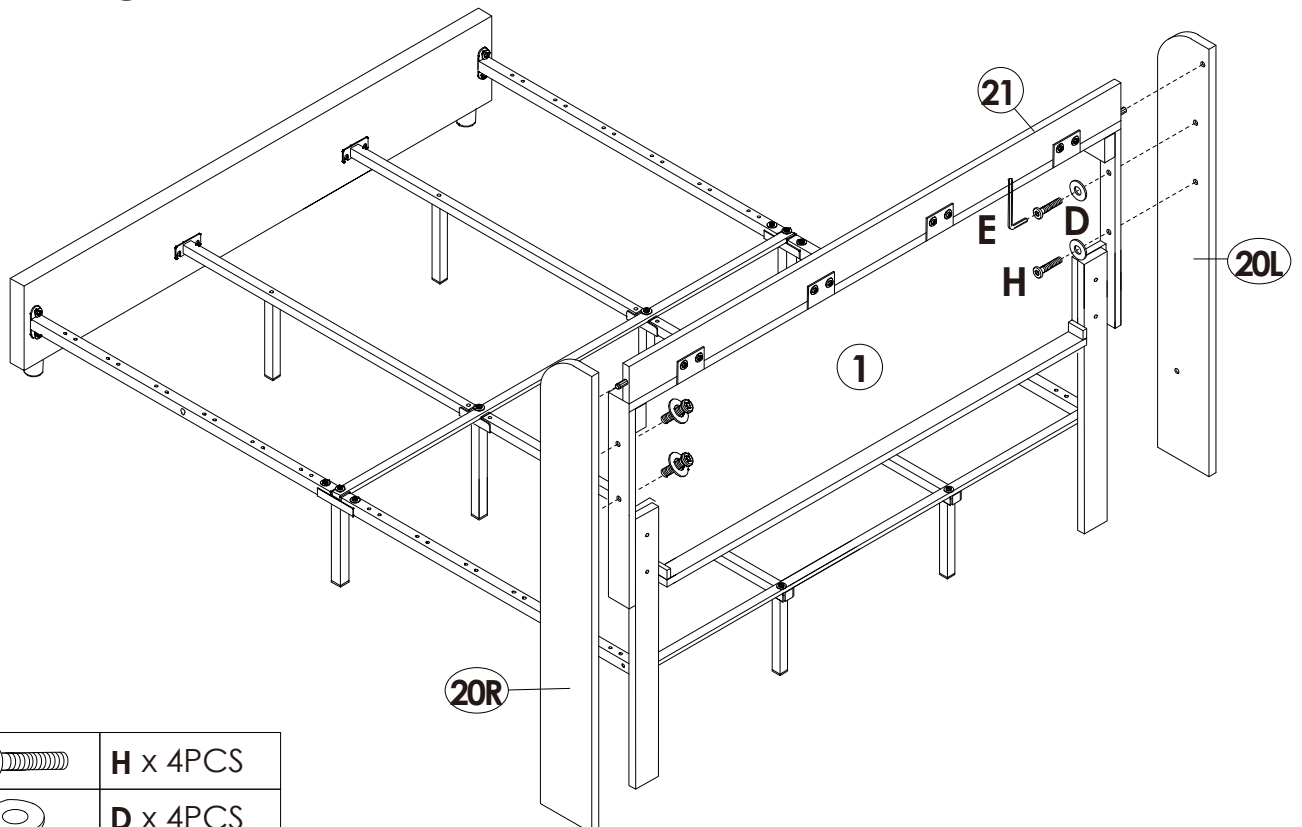
Assembly Instruction of (Drawer)

STEP 17



C x 2PCS

STEP 18



H x 4PCS



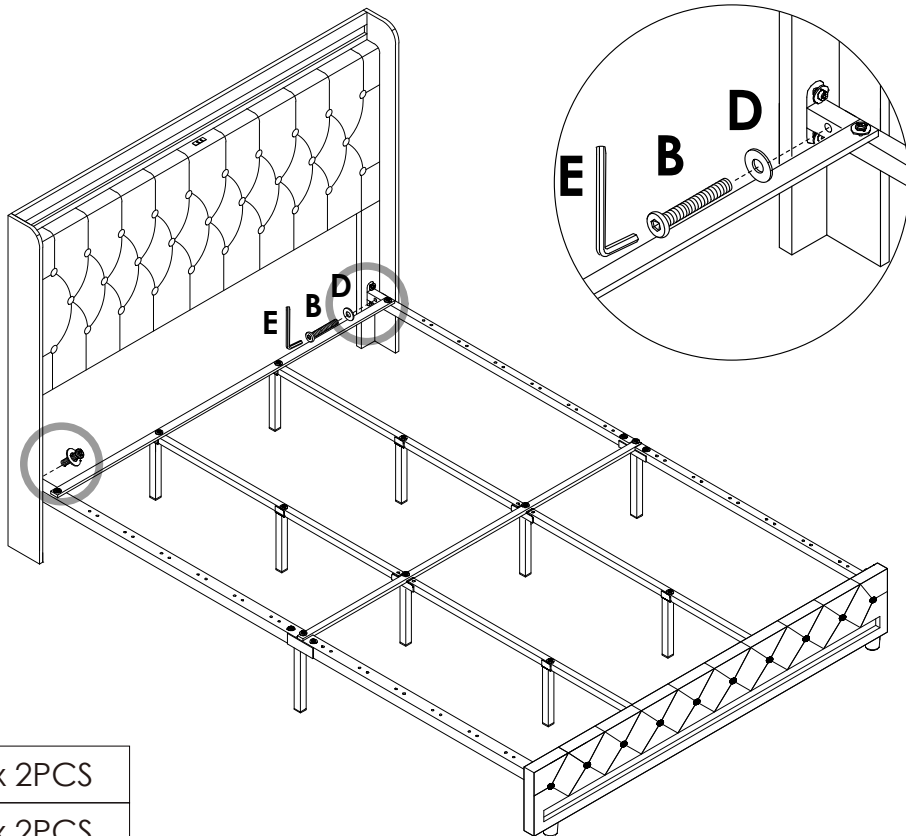
D x 4PCS






E x 1PC

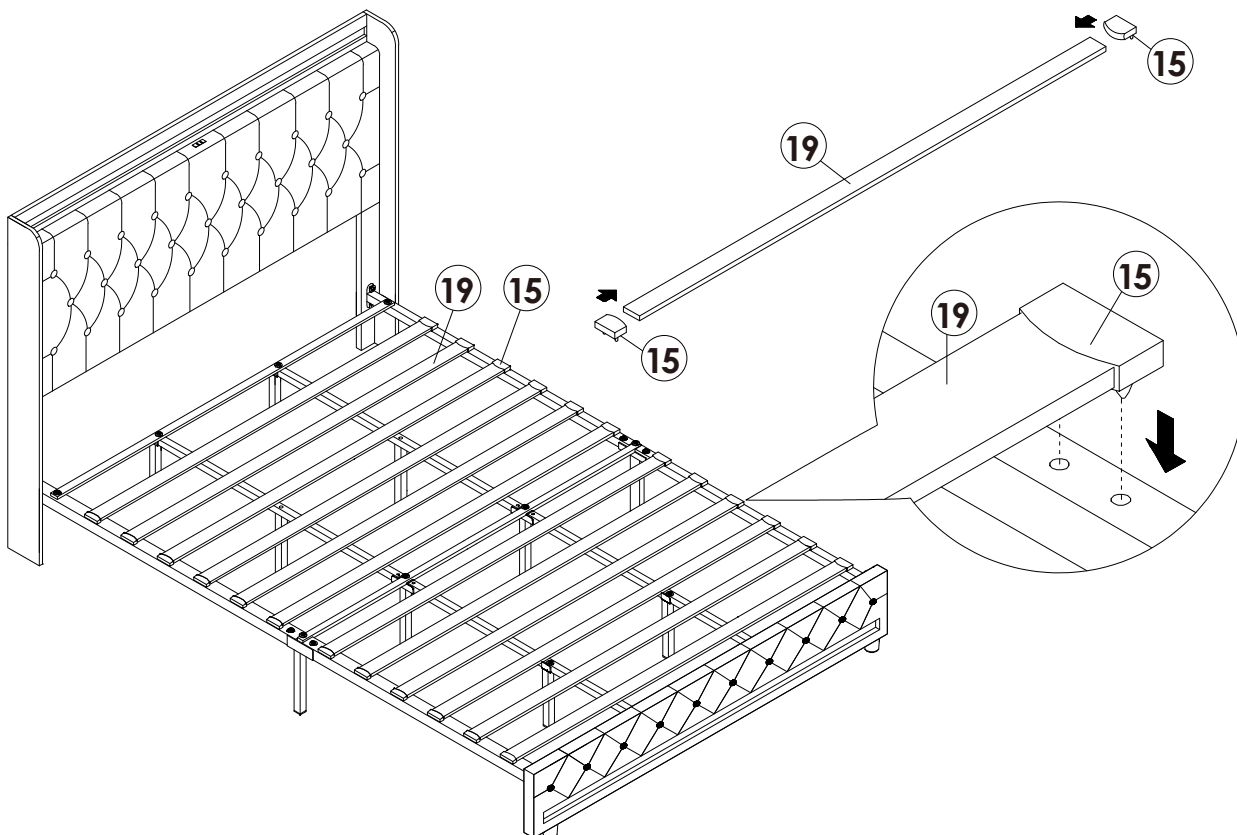
Assembly Instruction of (Drawer)

STEP 19



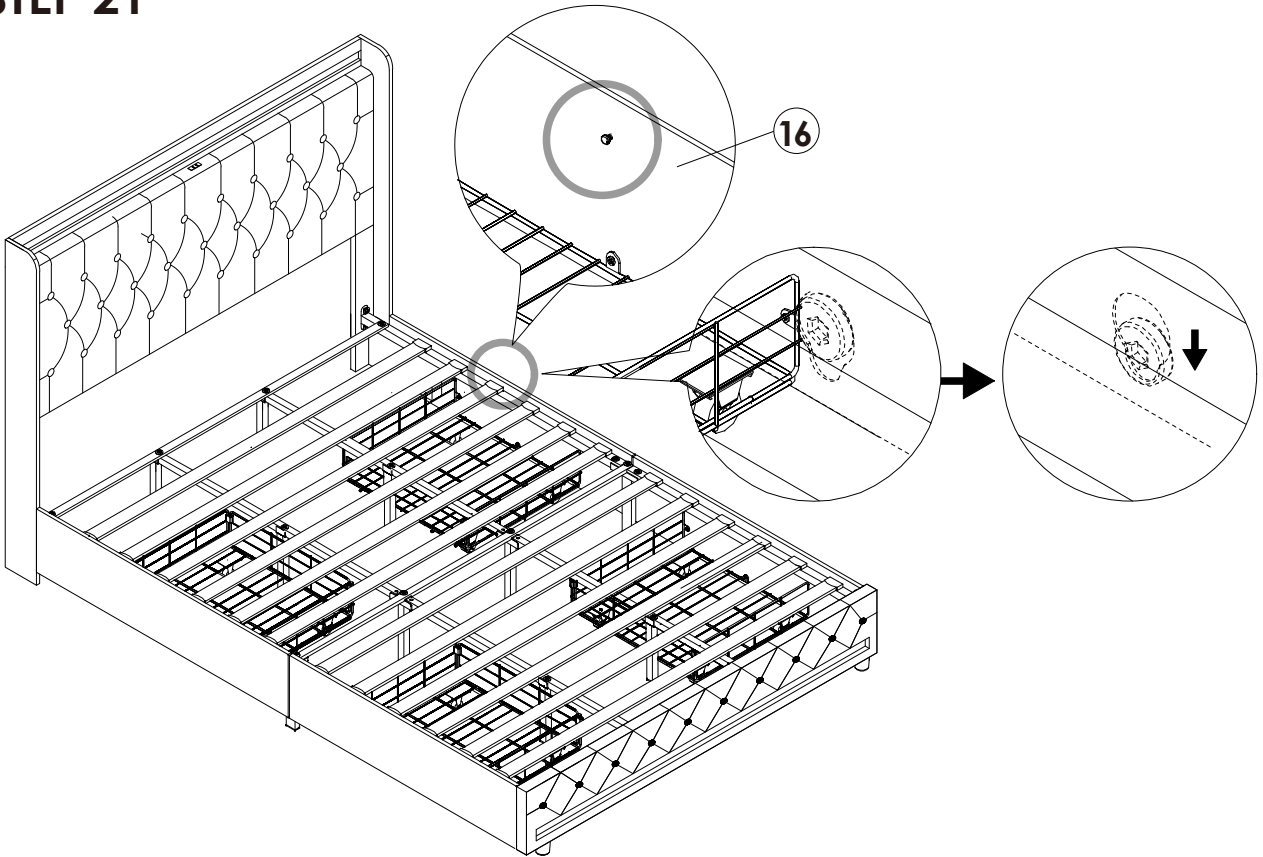
	B x 2PCS
	D x 2PCS
	E x 1PC

STEP 20

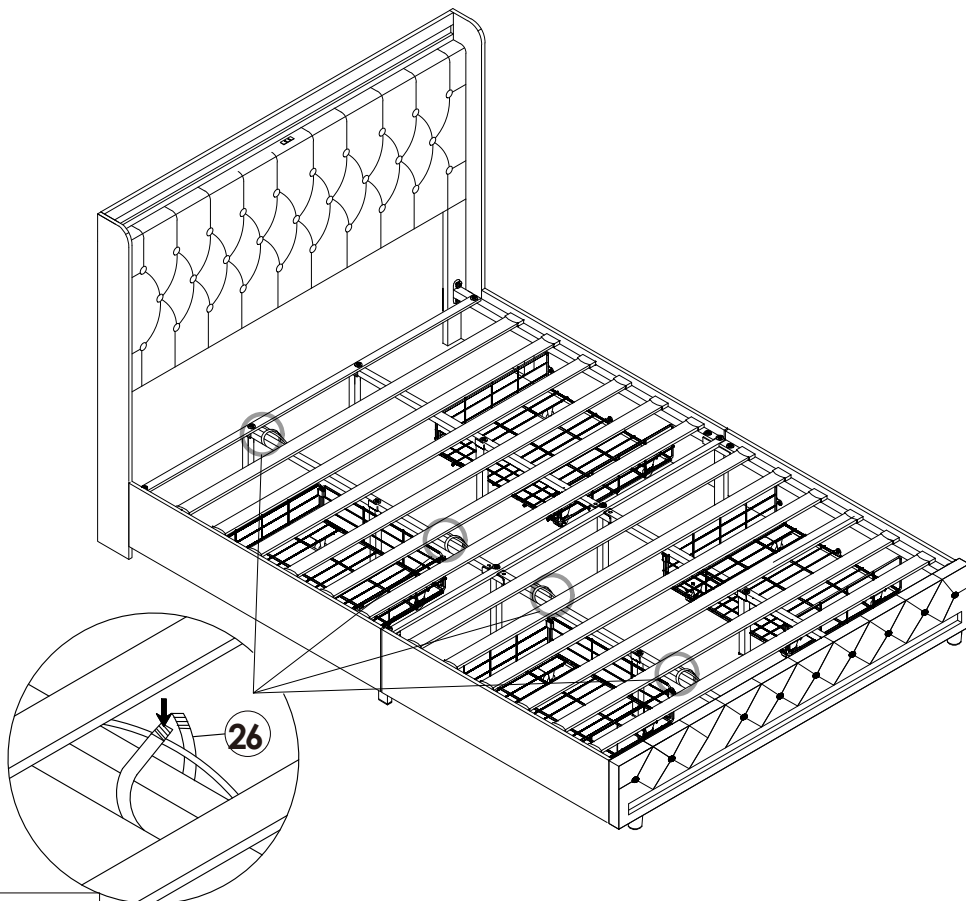


Assembly Instruction of (Drawer)

STEP 21



STEP 22

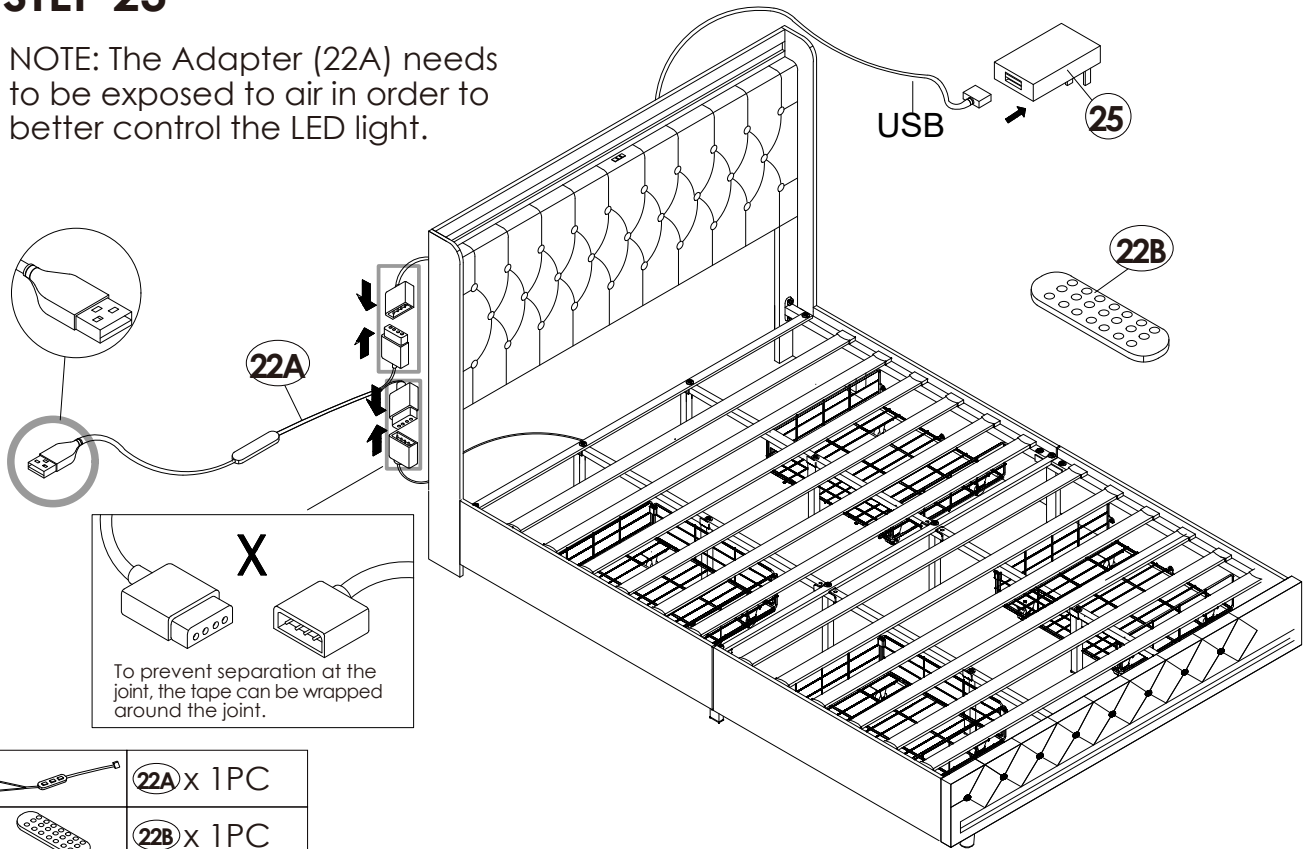


26 x 4PCS

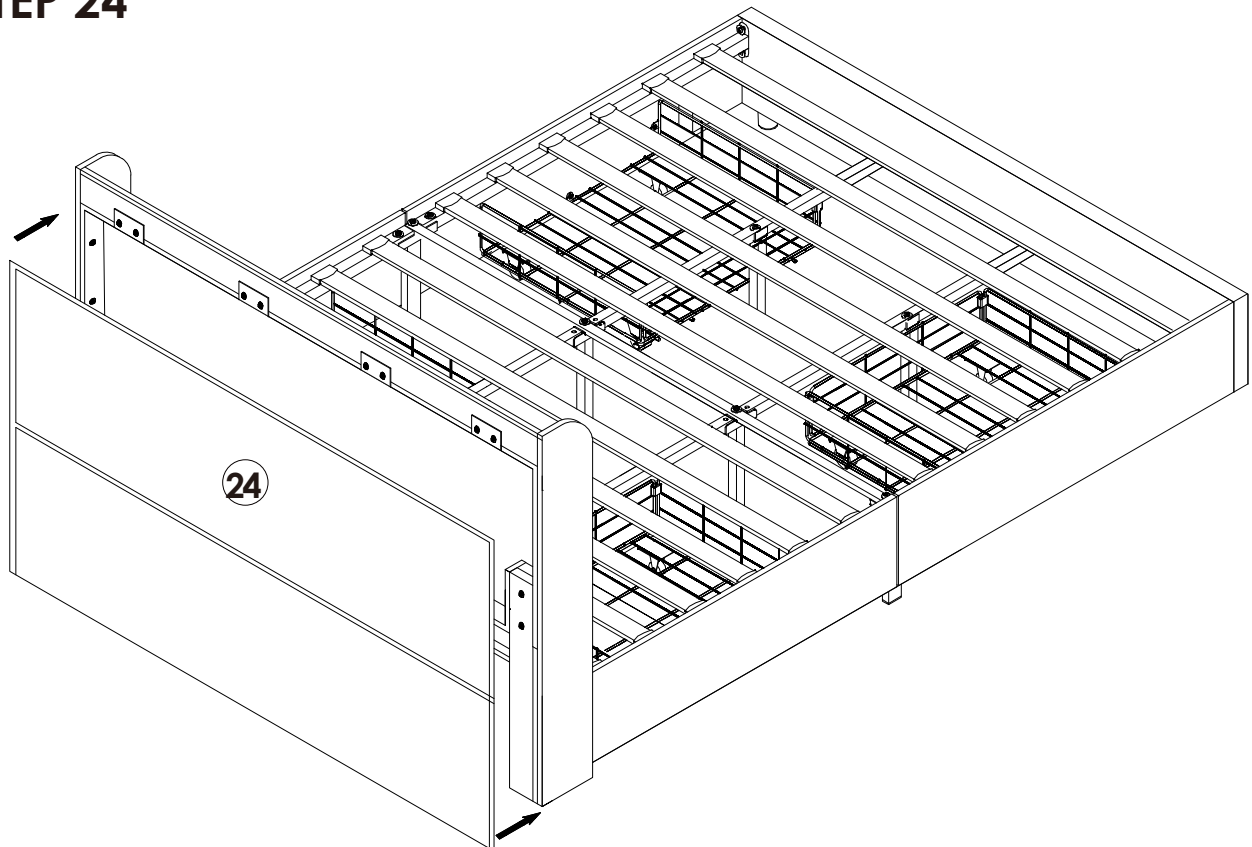
Assembly Instruction of (Drawer)

STEP 23

NOTE: The Adapter (22A) needs to be exposed to air in order to better control the LED light.

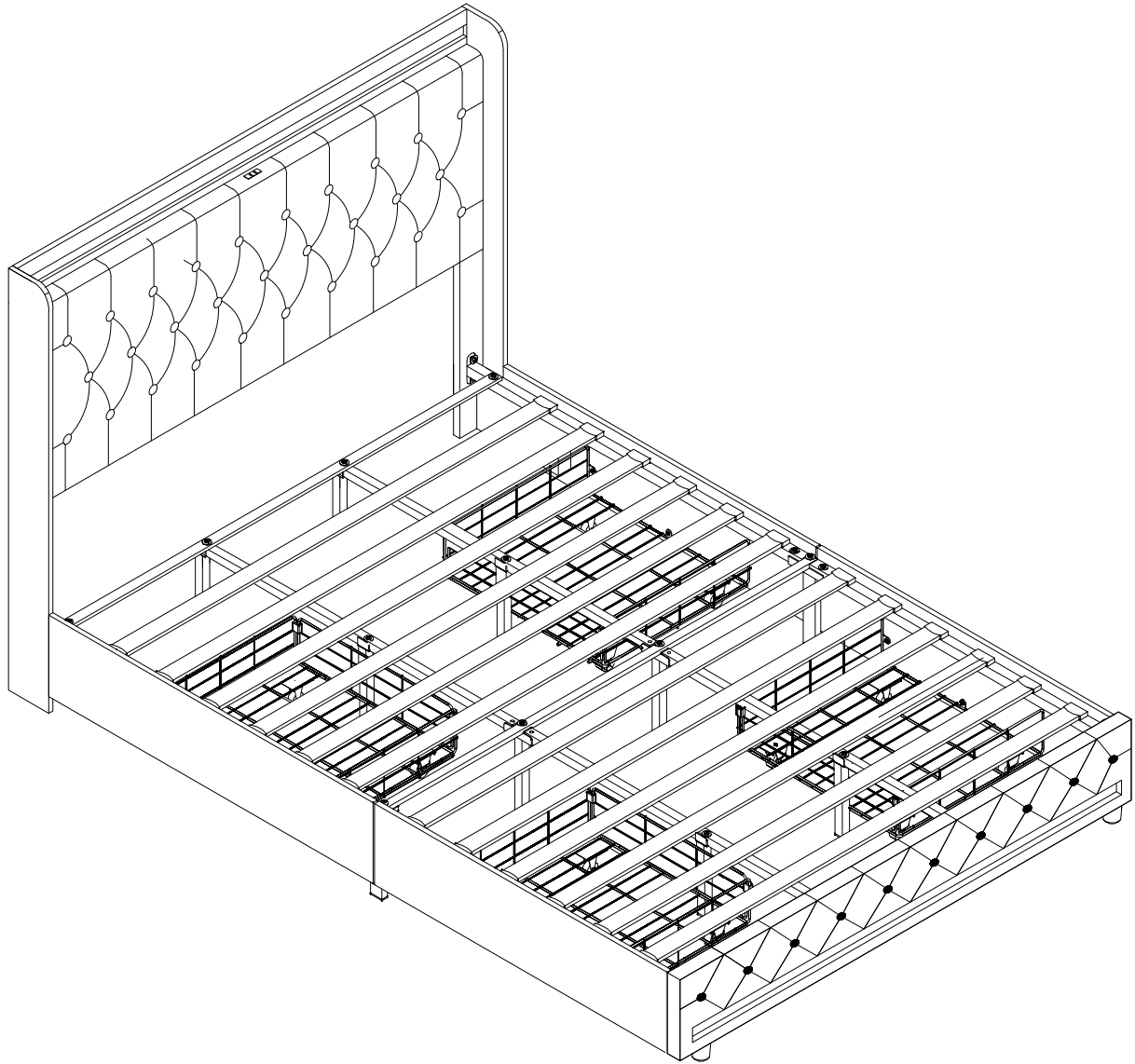


STEP 24



Assembly Instruction of (Drawer)

STEP 25



Thanks Gracias!