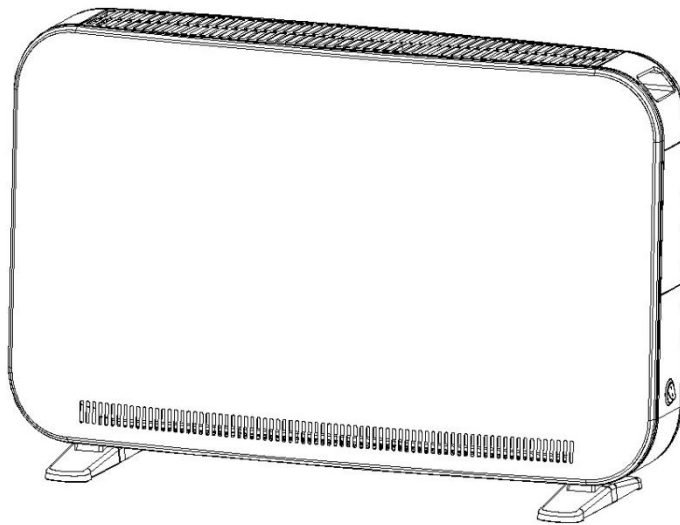




# Russell Hobbs

## Digital Convection Heater



**Model Number:**

**RHCVH2003 (B)**

**220-240V AC 50Hz/60Hz 1830W - 2180W**

This product is only suitable for well insulated spaces or occasional use

**PLEASE RETAIN**  
**FOR FUTURE REFERENCE**

# CONTENTS

	<b>Page(s)</b>
Safety Instructions and Electrical Safety	<b>3 – 6</b>
Battery Replacement Information	<b>7</b>
Feature Diagram	<b>8</b>
Base Assembly	<b>9</b>
Control Panel and Remote	<b>10</b>
Operations and Functions	<b>11 - 14</b>
Cleaning and Care	<b>15</b>
Problem Solving	<b>16</b>
Guarantee and Customer Services	<b>17</b>
Spare Parts	<b>18</b>
Connection to the Mains Supply	<b>19</b>
Specification	<b>20</b>
Notes	<b>21 - 23</b>
Disposal Information	<b>24</b>

# SAFETY INSTRUCTIONS

When using electrical appliances, basic safety precautions should always be observed, including the following:

- Read all instructions.
- Check that the mains voltage corresponds with the rating on the appliance.
- This appliance must be positioned upright on the floor away from curtains, furniture or wall coverings and other flammable items.
- The appliance must not be left unattended while it is connected to the mains supply.
- Do not touch hot surfaces. Use the handle or the controls.
- To protect against electrical shock do not immerse cord, plug, or appliance in water or other liquid. Do not operate with wet hands.
- Do not let the cord hang over the edge of a worktop, table etc. or touch hot surfaces.
- Do not operate any appliance with a damaged cord or plug, or after the appliance malfunctions or is dropped or damaged in any manner. The supply cord cannot be replaced. If the cord is damaged the appliance should be scrapped.
- The use of accessory attachments not recommended by the appliance manufacturer may cause fire, electric shock or injury.
- This appliance must not be immersed in any liquid
- To disconnect remove the plug from the mains outlet. Do not pull the plug out by the cord.

# SAFETY INSTRUCTIONS

- Never remove parts from the appliance, such as the feet, screws and so on.
- Never use the appliance near a bath, shower or a swimming pool.
- Never place flammable objects or clothing on top of the appliance.
- Allow a 100cm safe area around the appliance on all sides.
- Never use the appliance in a room with explosive gas such as petrol, or while using any kinds of flammable glues, sprays or solvents.
- Do not place any part of your body near the air inlet, outlet or on the fins ,to avoid personal injury, electric shock or fire.
- If overheating should occur, the built-in overheating safety device will shut the appliance off.
- Prevent overheating of the appliance by keeping the air inlets and outlets clean and free of anything that may cause blockage. Check all inlets and outlets regularly for accumulated dust.
- **DO NOT COVER.**
- Caution: Some parts of this product can become very hot and cause burns. Particular attention must be given when children and vulnerable people are present.
- Do not insert any foreign objects into the grill.
- Keep all grills clear of any draped fabric or curtains.
- The appliance must not be located immediately below a mains socket. Do not use the appliance with a programmer, timer or any other device that switches the appliance on automatically. A fire risk exists if the appliance is covered or positioned incorrectly.

# SAFETY INSTRUCTIONS

- Do not operate this appliance for any thing other than its intended use.
- This appliance is not intended for commercial use
- **This product is intended for household use only.** Do not use outdoors.
- This product is only intended for heating.
- **Warning:** It is hazardous for anyone other than a competent person to carry out any service or repair operation which involves the removal of a cover which gives protection against exposure to electrical parts.
- **Warning:** Children of less than 3 years should be kept away unless continuously supervised.
- Children aged from 3 years and less than 8 years shall only switch on/off the appliance provided that it has been placed or installed in its intended normal operating position and they have been given supervision or instruction concerning use of the appliance in a safe way and understand the hazards involved.
- Children aged from 3 years and less than 8 years shall not plug in, regulate and clean the appliance or perform user maintenance.
- **Warning:** This appliance is not intended for use by persons (including children) with reduced physical, sensory or mental capabilities, or lack of experience and knowledge, unless they have been given supervision or instruction concerning use of the appliance by a person responsible for their safety. Children should be supervised to make sure that they do not play with or use the appliance.
- **Warning:** In order to avoid overheating, do not cover the heater

# SAFETY INSTRUCTIONS

## Electrical Safety

**THIS APPLIANCE MUST BE PLUGGED INTO AN EARTHED SOCKET**

- Before switching on, make sure that the voltage of your electricity supply is the same as that indicated on the rating plate. This product is designed to operate on 220 - 240V AC 50Hz/60Hz. Connection to any other power source may damage the unit.
- This product may be fitted with a non re-wireable plug. If it is necessary to change the fuse in the plug, the fuse cover must be refitted. If the fuse cover becomes lost or damaged, the plug must not be used until a suitable replacement is obtained.
- If the plug needs to be changed because it is not suitable for your socket, or becomes damaged in any way, it should be cut off and an appropriate plug fitted. This should be carried out by a qualified electrician. The plug removed must be disposed of safely, as insertion into a 13 Amp socket is likely to cause an electrical hazard.

This symbol means DO NOT COVER:



# BATTERY REPLACEMENT INFORMATION

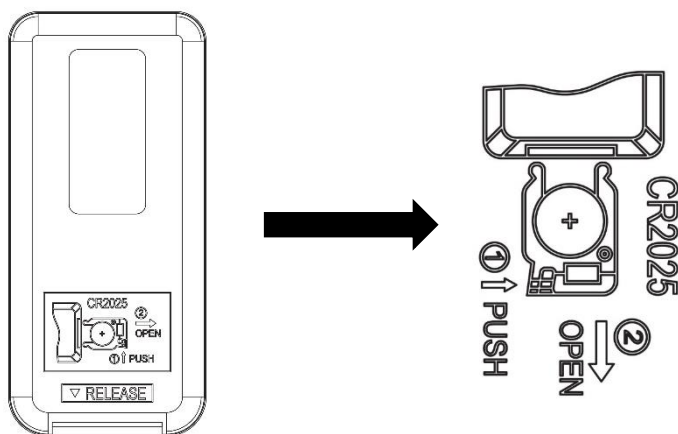
This appliance comes with 1 CR2025 (3V) battery which is to be fitted into the remote.



**CAUTION: Batteries are a chemical burn and choking hazard. Keep batteries away from children.**

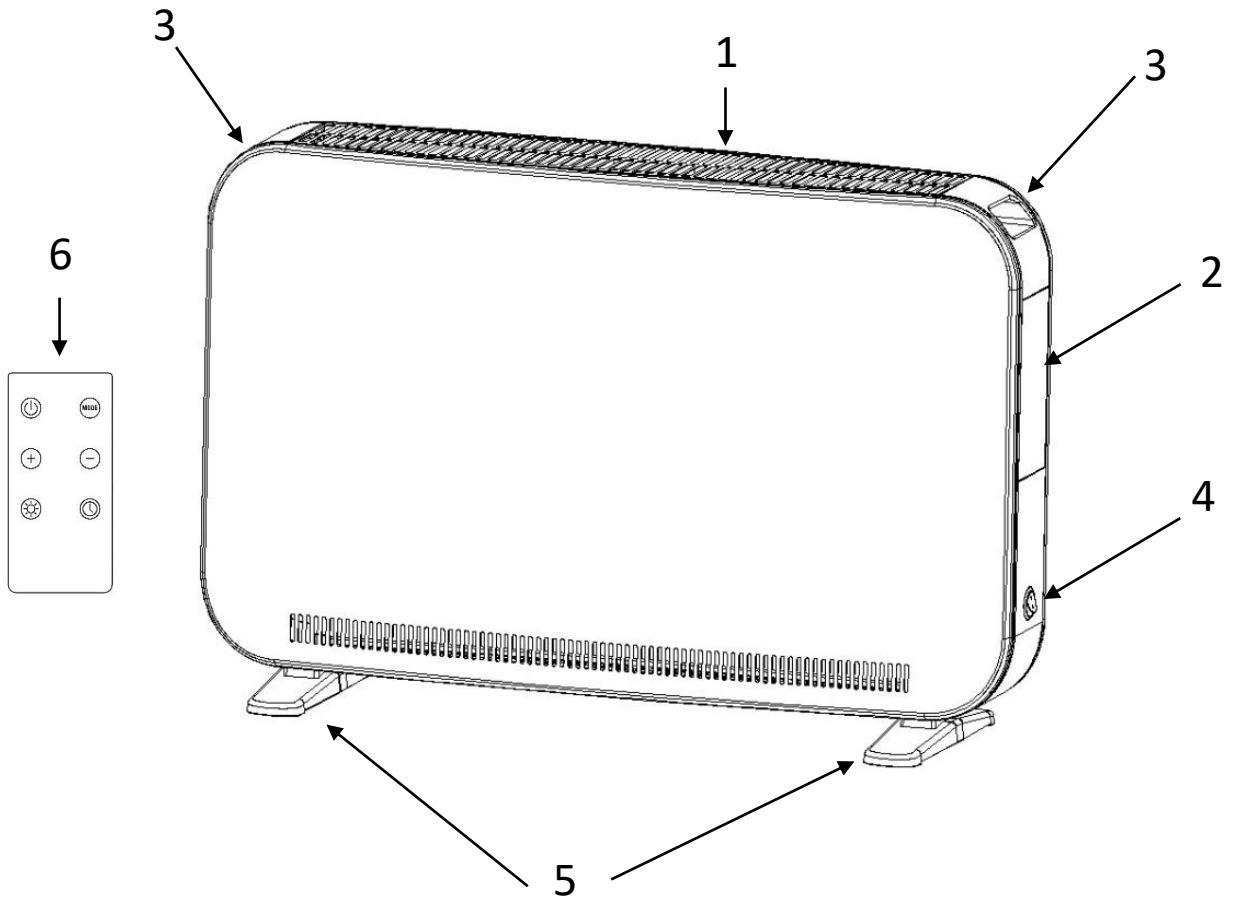
- Ensure that the battery compartment is always completely secure. If the battery compartment does not close securely, stop using the remote, remove the batteries, and keep it away from children.
- If you think batteries might have been swallowed or placed inside any part of the body, seek immediate medical attention. Dispose of cells properly and keep away from children. Even used cells may cause injury.
- Please dispose of or recycle the remote control batteries according to municipal or provincial laws.

To place the batteries into the remote/replace the batteries please follow the instructions below:



1. Remove the cover from the back of the remote.
2. Insert 1 CR2025 (3V) battery as shown above.
3. Replace the cover onto the back of the remote.

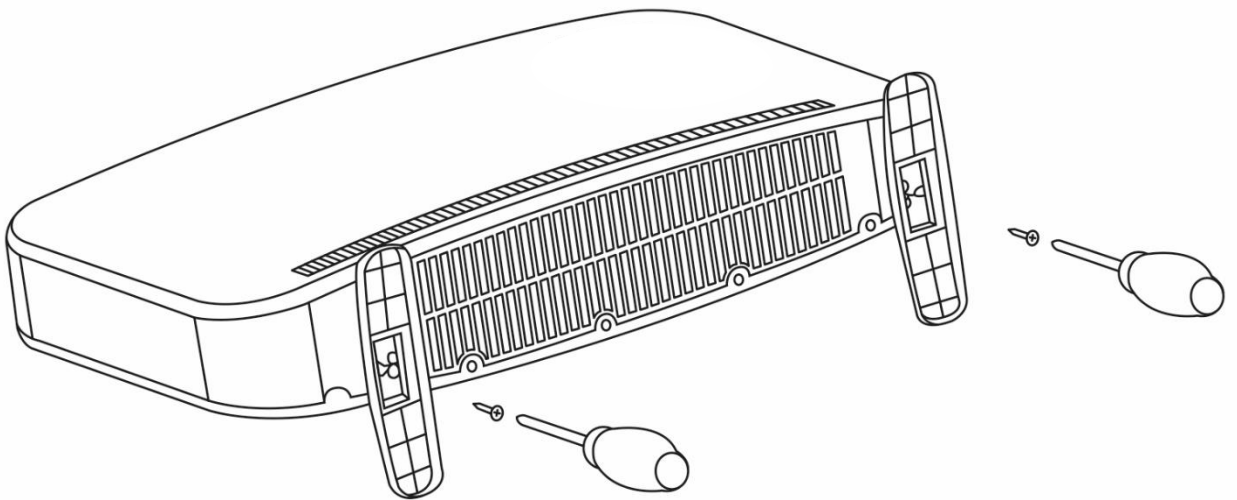
# FEATURE DIAGRAM



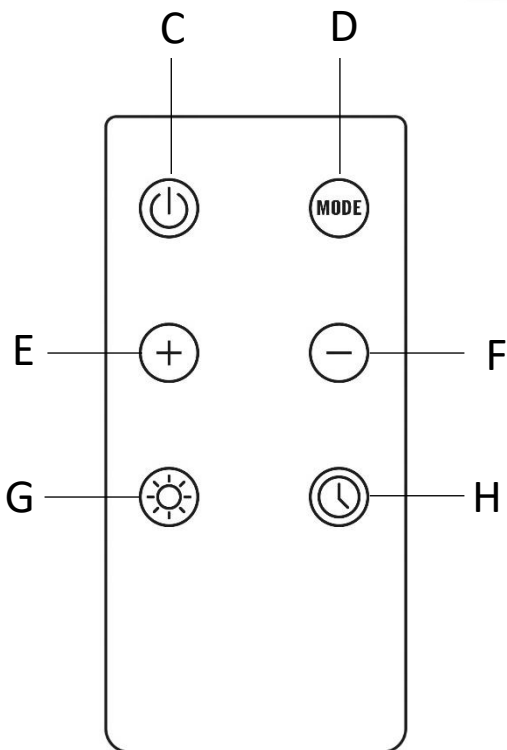
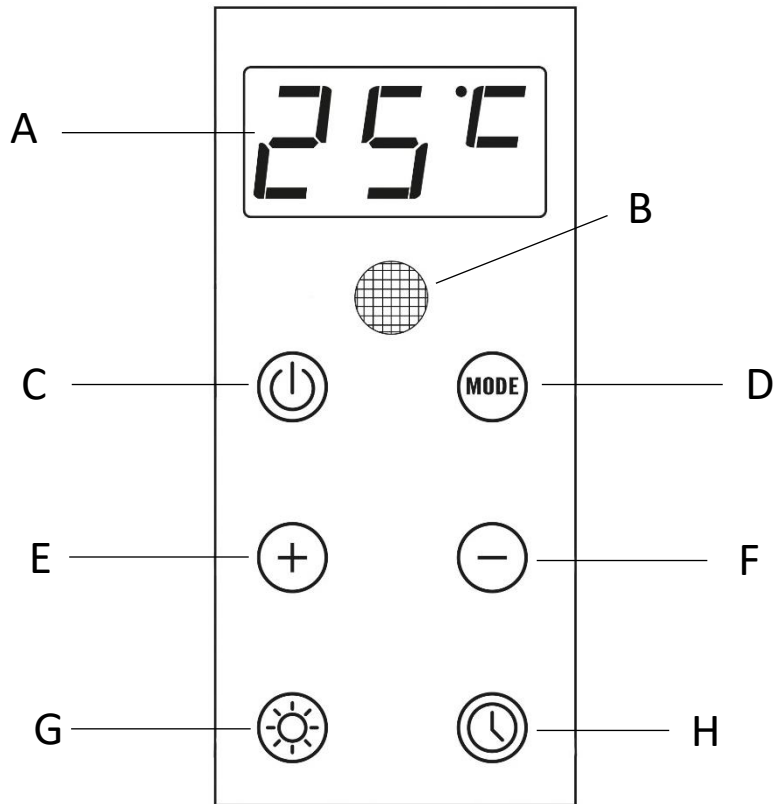
- |                                |                   |
|--------------------------------|-------------------|
| 1. Air outlet                  | 4. Power switch   |
| 2. Control panel & LED display | 5. Feet           |
| 3. Handles                     | 6. Remote control |

# BASE ASSEMBLY

Before using the heater, the feet must be fitted to the unit. These are to be attached to the base of the heater using the 2 screws provided. Carefully lie the heater on its side, clip on the feet and secure by inserting the screws, taking care to ensure that they are located correctly in the bottom ends of the plastic mouldings.



# CONTROL PANEL & REMOTE



- A. LED display
- B. Remote control receiver
- C. Power on/off button
- D. Mode selection button
- E. Temperature/timer increase button
- F. Temperature/timer decrease button
- G. Temperature button
- H. Timer button

# OPERATIONS AND FUNCTIONS

Before connecting your appliance to the mains socket, position the appliance upright on the floor, at least 100cm away from the wall, curtains, furniture or wall coverings.

Insert the mains plug into a suitable wall mains socket. Then use the “**Power Switch**” to turn on the unit. The unit will then enter standby mode, as shown by the “**Power On/Off**” and “**Timer**” button lowly lit. Your heater is now ready for use.



## **Power On/Off Button**

- Press the “**Power On/Off**” button on the appliance/remote control once to turn the heater on with default settings: High mode and a temperature setting of 24°C,
- Press the “**Power On/Off**” button again to put the heater into standby mode.



## **Mode Button**

- When the unit is on, repeatedly press the “**Mode**” button on the appliance/remote control to cycle through the modes: High (3) (2000W) -> Medium (2) (1200W) -> Low (1) (800W).
- Once the mode has been set, the “**Mode**” button on the control panel will be illuminated. After 5 seconds the display will change from the mode (3,2,1) back to the temperature.
- The temperature can be set and adjusted in all modes.
- When the set temperature is reached, heater will stop working. When the ambient temperature is lower than the set temperature, the heater will start working again.

# OPERATIONS AND FUNCTIONS



## **Temperature Button**

- When the unit is on, press the “**Temperature**” button on the appliance/remote control.
- The “**Temperature**”, “+” and “-” buttons will illuminate, and the current set temperature will be displayed and flash.
- Use the “+” or “-” buttons on the appliance/remote control to adjust the temperature from 7°C to 35°C in 1°C increments.
- After 5 seconds of inactivity the temperature will be set; alternatively, once you have selected your required temperature press the “**Temperature**” button again to confirm.
- When the unit is on, press and hold the “**Temperature**” button for 5 seconds to change the temperature mode from Celsius to Fahrenheit. Repeat this to change the temperature mode from Fahrenheit to Celsius.
- Please note that in Fahrenheit mode, the default temperature will be 75°F and the setting range is 45°F - 95°F.



## **Adjustment Buttons**



- When the unit is on and the temperature button has been pressed, press the “+” or “-” buttons on the appliance/remote control to adjust the temperature. If you rapidly press the “+” or “-” buttons, the temperature will change rapidly.
- The adjustment buttons can also be used to adjust the timer, as described below.

# OPERATIONS AND FUNCTIONS



## Timer Button

- When the power is on, you can schedule to shut off the heater, or when in standby mode you can schedule to turn on the heater.
- To set press the “**Timer**” button; the “**Timer**”, “+” and “-” buttons will now illuminate.
- Use the “+” or “-” buttons on the appliance/remote control to adjust the hours on the timer. The timer will cycle through 00, 01, 02... up to 24 hours. If you rapidly press or hold down the “+” or “-” buttons, the temperature will change rapidly.
- After 5 seconds of inactivity the timer will be set; alternatively, once you have selected your required time press the “**Timer**” button again to confirm. The “**Timer**” button will now remain illuminated until the timer is up.
- If “0” hours is selected then the timing indicator will remain dimly lit, as before.
- The display will show the selected timer length for 5 seconds after confirmation. The display will then change back to the temperature.
- If you would like to see the remaining time after the timer has been set, press the “**Timer**” button again. The “+” or “-” buttons on the appliance/remote control can now be used to adjust the timer again if required.
- When the time is up, the appliance will automatically stop running.
- **NOTE:** The heater must remain plugged in for this function to work.

# OPERATIONS AND FUNCTIONS

**PLEASE NOTE:** Once the appliance has been plugged into the mains, if there is no operation within 3 minutes. The unit will then enter standby mode, as shown by the “**Power On/Off**” and “**Timer**” button lowly lit. Your heater is now ready for use.

## Other Functions

**Memory Function** - If the heater is turned off then on again using the “**Power On/Off**” button on the appliance/remote control, it will resume operation in the mode it was in before it was turned off. If the heater is turned off using the “**Power Switch**” or unplugged then plugged back in again, it will default to the original settings.

**Tip-Over Protection** - When the heater is tipped over, the heater will automatically shut off. Place the heater on a flat, level, and stable surface and turn the heater on again.

**Overheat Protection** - Overheat protection - the power to the heating elements will automatically cut off if the temperature of the heating elements exceeds a certain limit. In the event of overheating, the heater will stop operating. Once the appliance has completely cooled the appliance will then resume operating as normal.

# CLEANING AND CARE

## **WARNING: Electrical Shock Hazard.**

Before you clean the appliance, disconnect the mains plug from the wall socket.

- Allow the appliance to cool down completely before cleaning.
- Do not immerse cord, plug or appliance in any liquid or allow moisture to come into contact with electrical parts.
- Clean the outer surface using a moist cloth and wipe over with a dry, soft cloth.
- Do not use harsh detergents, abrasives or spray on cleaners.
- Don't allow water to seep into the openings or come into contact with electrical connections.
- Allow sufficient drying time before operating again.
- Clean the air inlets and outlets regularly with a vacuum cleaner using the brush attachment (with regular use, at least twice a year).
- When the appliance is not in use. We recommend that, the heater is re-packed in its original packaging and stored in a cool, dry place.

# **PROBLEM SOLVING**

## **My appliance does not work when I turn it on:**

1. Check that your appliance is plugged in and the power is turned on at the mains socket.
2. Try another mains socket.
3. Check the appliance is in an upright position.
4. Check that the heat and temperature setting has not been set too low.
5. If the appliance still doesn't work, do not try to repair it yourself.
6. Check the timer setting (if your model has a timer).

## **If your appliance power is automatically cut off, follow the step below:**

1. Unplug your appliance from the mains socket and allow it to completely cool down.
2. Inspect your appliance. Clean the air inlet and air outlet with a vacuum cleaner if necessary. If there are any signs of physical damage (e.g. melting, or burning of the case), do not attempt to use the appliance. Please leave all maintenance work to qualified personnel.
3. Plug in the appliance and switch it on again. If it cuts off again, move the appliance to a better ventilated location.

## **If your appliance shows the error code "EH" or "EL", follow the steps below:**

1. Turn the appliance off at the mains.
2. Turn the power back on. If the fault persists contact customer services.

# GUARANTEE AND CUSTOMER SERVICES

This product is guaranteed for **12 months** from the date of the original purchase. If any defect arises due to faulty materials or workmanship, the faulty product must be returned to the place of purchase. Refund or replacement is at the discretion of the retailer.

## **The following conditions apply:**

- The product must be returned to the retailer with the original proof of purchase.
- The product must be installed and used in accordance with the instructions contained in this instruction guide and any other instructions for use which are supplied.
- It must be used for domestic purposes only and for its intended use.
- This warranty does not cover wear and tear, damage, misuse or consumable parts.

**This does not affect your statutory rights.**

## Customer Services & Spare Parts:

<b>Region</b>	<b>Contact</b>	<b>Website</b>
UK & Northern Ireland	0345 209 7461	mda.russellhobbs.com
Ireland	1 800 938982	ie.mda.russellhobbs.com
Rest of Europe	europe@productcaregroup.com	de.mda.russellhobbs.com fr.mda.russellhobbs.com es.mda.russellhobbs.com it.mda.russellhobbs.com nl.mda.russellhobbs.com

# **SPARE PARTS**

To check the availability of the following spare parts, simply contact our friendly Customer Services team using the details provided on the previous page.

Feet and screws  
Remote control

# CONNECTION TO THE MAINS SUPPLY

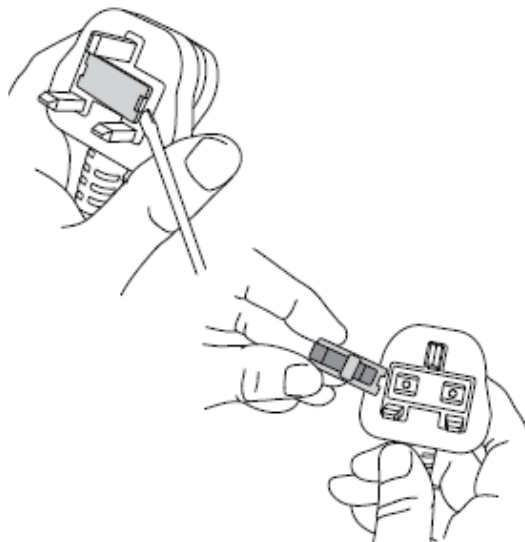
This appliance is designed to operate from a mains supply of 220-240V~50Hz/60Hz.

Check that the voltage marked on the product corresponds with your supply voltage.

## **How to change the fuse**

1. Slot the end of a screwdriver into the recess in the fuse holder of the plug.
2. Pull the fuse holder upwards until free of the plug and slide the fuse out.
3. Replace the fuse and replace fuse holder, pushing down until locked into place.

**Important:** Only ever use a 13 amp fuse.



# SPECIFICATION

Model number	RHCVH2003 (B)
Rated voltage	220V - 240V ~ 50Hz/60Hz
Power consumption	1830W - 2180W
Product dimensions (CMS)	(H)60 x (W) 18.5 x (D) 39.5

Model number	RHCVH2003 (B)				
Item	Symbol	Value	Unit	Item	Unit
<b>Heat output</b>			<b>Type of heat input, for electric storage local space heaters only</b>		
Nominal heat output	$P_{nom}$	1.83-2.18	kW	manual heat charge control, with integrated thermostat	No
Minimum heatoutput (indicative)	$P_{min}$	0.85	kW	manual heat charge control with room and/or outdoor temperature feedback	No
Maximum continuous heat output	$P_{max,c}$	2.18	kW	electronic heat charge control with room and/or outdoor temperature feedback	No
				fan assisted heat output	No
<b>Auxiliary electricity consumption</b>			<b>Type of heat output/room temperature control</b>		
At nominal heat output	$e_{lmax}$	N/A	kW	single stage heat output and no room temperature control	No
At minimum heat output	$e_{lmin}$	N/A	kW	Two or more manual stages, no room temperature control	No
In standby mode	$e_{lSB}$	0.00016	kW	with mechanic thermostat room temperature control	No
				with electronic room temperature control	Yes
				electronic room temperature control plus day timer	No
				electronic room temperature control plus week timer	No
			<b>Other control options (multiple selections possible)</b>		
				room temperature control, with presence detection	No
				room temperature control, with open windowdetection	No
				with distance control option	No
				with adaptive start control	No
				with working time limitation	Yes
				with black bulb sensor	No
Contact details	Product Care Trading Ltd, Unit 1 Green Bank Business Park, Swan Lane, Hindley Green, Wigan, WN2 4AY, United Kingdom				
	Product Care (Ireland) Ltd, Unit 3D North Point House, North Point Business Park, New Mallow Road, Cork, T23 AT2P, Ireland				

# NOTES

# NOTES

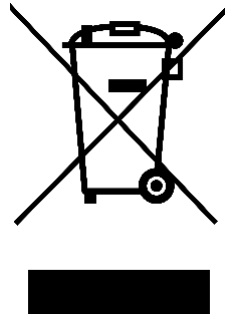
# NOTES



# Russell Hobbs

Made by Product Care Trading Limited under license from Spectrum Brands (UK) Limited. Product Care Trading Ltd, Unit 1 Green Bank Business Park, Swan Lane, Hindley Green, Wigan, WN2 4AY, United Kingdom / Product Care (Ireland) Ltd, Unit 3D North Point House, North Point Business Park, New Mallow Road, Cork, T23 AT2P, Ireland. Russell Hobbs is the registered trademark of Spectrum Brands (UK) Ltd.

UK  
CA



The 'wheelee bin' symbol is known as the 'Crossed-out wheelee bin Symbol'.

When this symbol is marked on a product/batteries, it means that the product/batteries should not be disposed of with your general household waste. Only discard electrical/electronic/battery items in separate collection schemes, which cater for the recovery and recycling of materials contained within. Your co-operation is vital to ensure the success of these schemes and for the protection of the environment. For your nearest disposal facility, visit [www.recycle-more.co.uk](http://www.recycle-more.co.uk) or ask in store for details.

SEDEX – Connecting businesses and their global suppliers to share ethical data and enabling improvement in ethical performance. Visit [www.sedex.org.uk](http://www.sedex.org.uk) for further information.

We reserve the right, due to possible changes to design, to alter the instruction manual without prior notice.

Revision 1.4