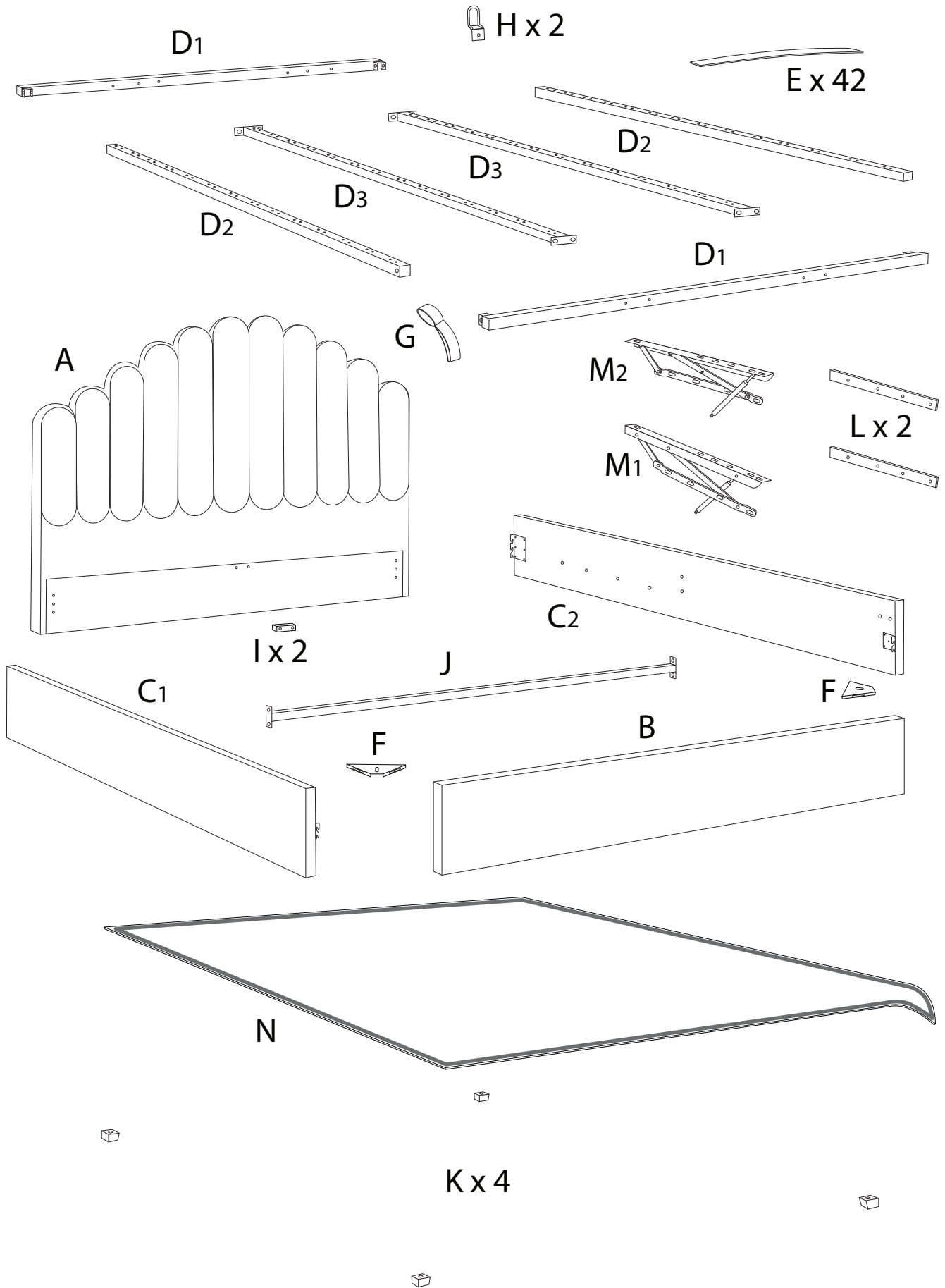
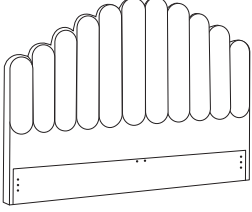
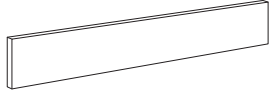
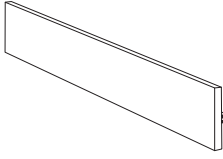
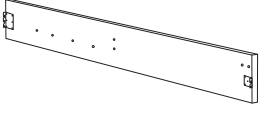

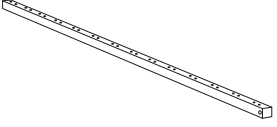
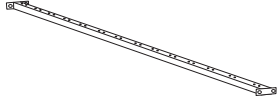

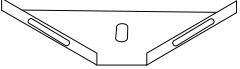

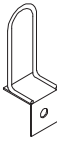
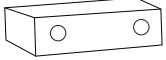

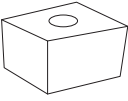
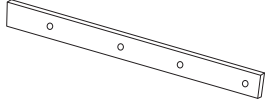
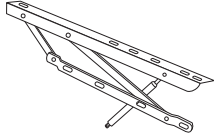
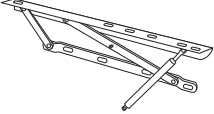
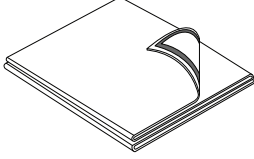
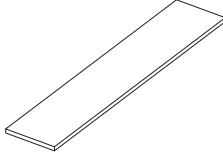
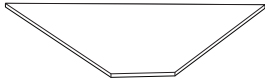
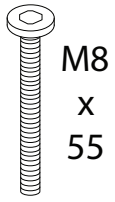

		90'
		2



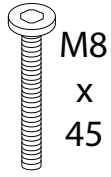
<p>A</p>  <p>x 1</p>	<p>B</p>  <p>x 1</p>	<p>C1</p>  <p>x 1</p>	<p>C2</p>  <p>x 1</p>
<p>D1</p>  <p>x 2</p>	<p>D2</p>  <p>x 2</p>	<p>D3</p>  <p>x 2</p>	<p>E</p>  <p>x 42</p>
<p>F</p>  <p>x 2</p>	<p>G</p>  <p>x 1</p>	<p>H</p>  <p>x 2</p>	<p>I</p>  <p>x 2</p>
<p>J</p>  <p>x 1</p>	<p>K</p>  <p>x 4</p>	<p>L</p>  <p>x 2</p>	<p>M1</p>  <p>x 1</p>
<p>M2</p>  <p>x 1</p>	<p>N</p>  <p>x 1</p>	<p>O</p>  <p>x 4</p>	<p>P</p>  <p>x 2</p>

1



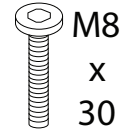
x 4

2



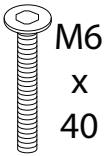
x 22

3



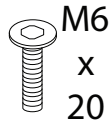
x 10

4



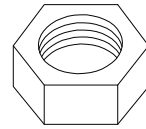
x 8

5



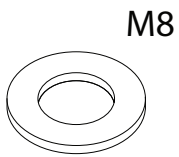
x 12

6



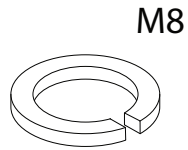
x 18

7



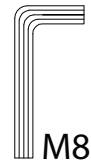
x 36

8



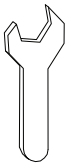
x 36

9



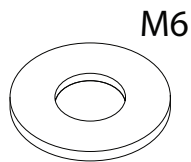
x 1

10



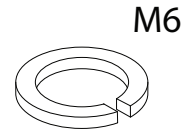
x 1

11



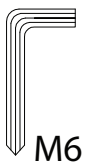
x 20

12



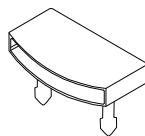
x 20

13



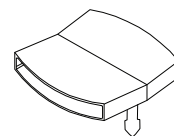
x 1

14



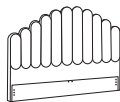

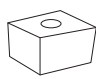
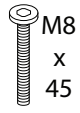

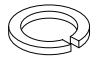

x 28

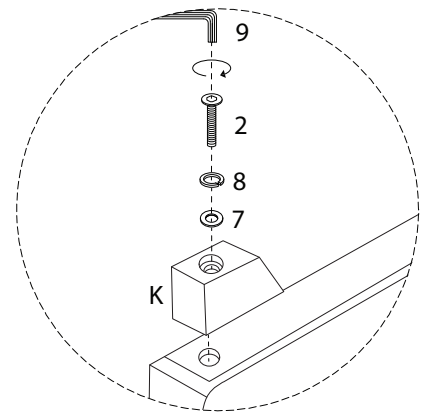
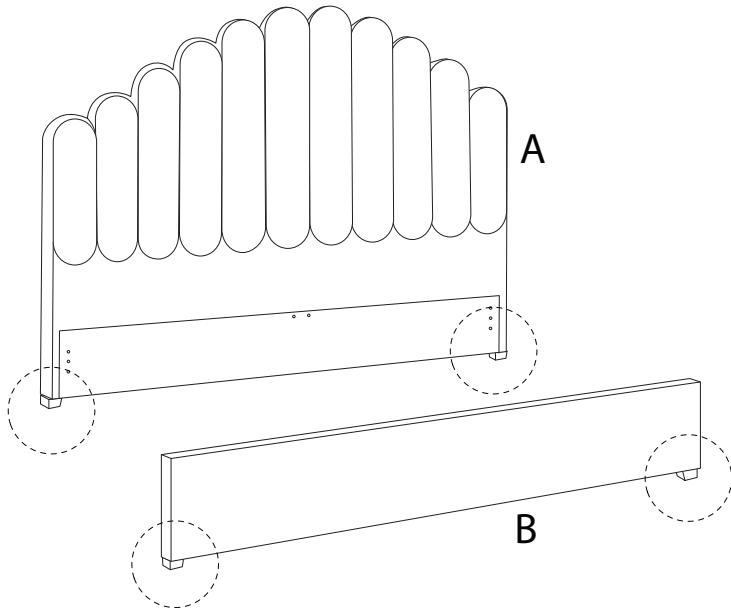
15



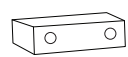
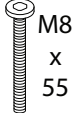

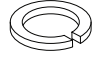
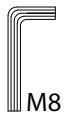
x 28

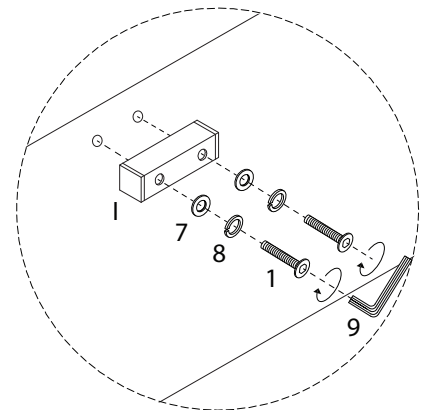
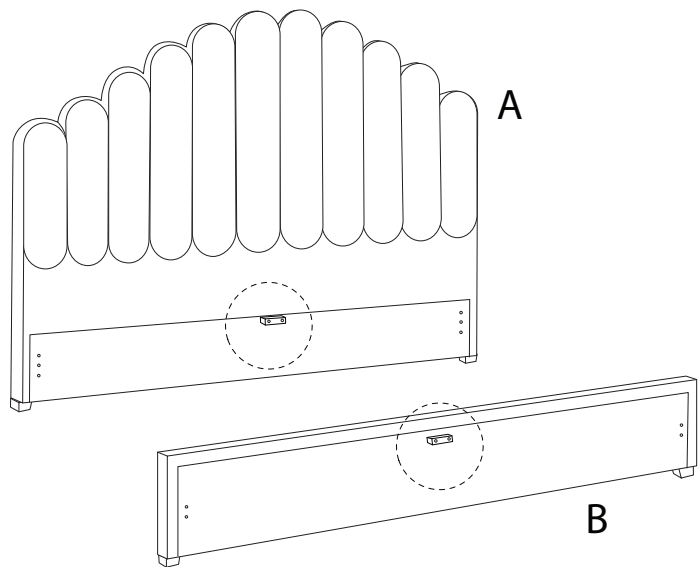
1

A  x 1	B  x 1	K  x 4	2  x 4	7  x 4	8  x 4	9  x 1
--	--	--	--	---	--	--



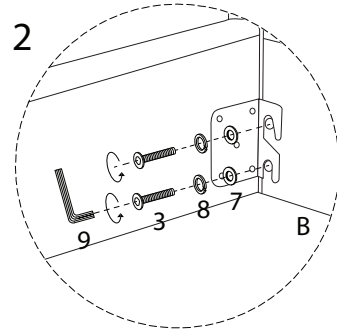
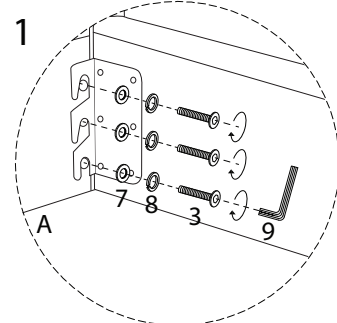
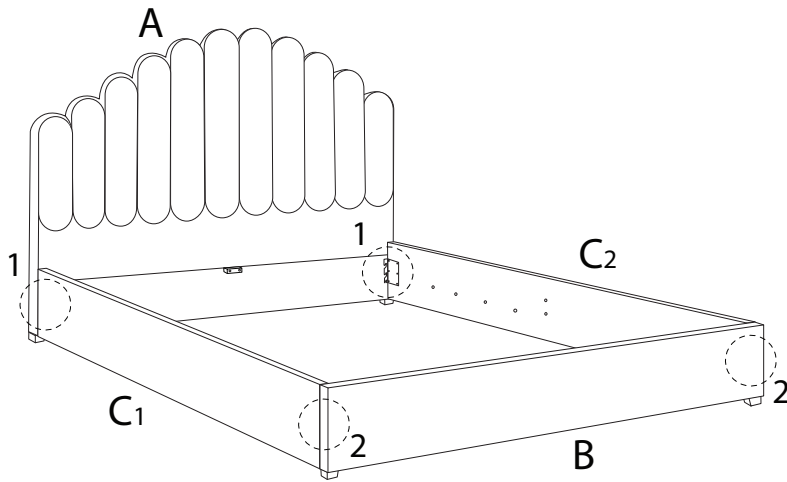
2

I  x 2	1  x 4	7  x 4	8  x 4	9  x 1
--	--	--	--	--



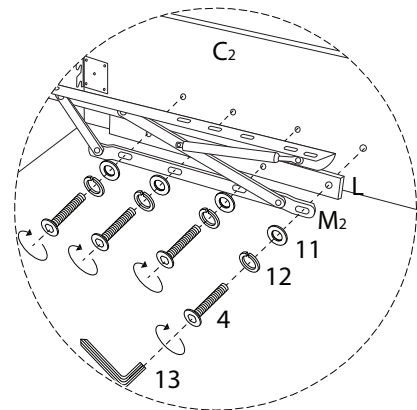
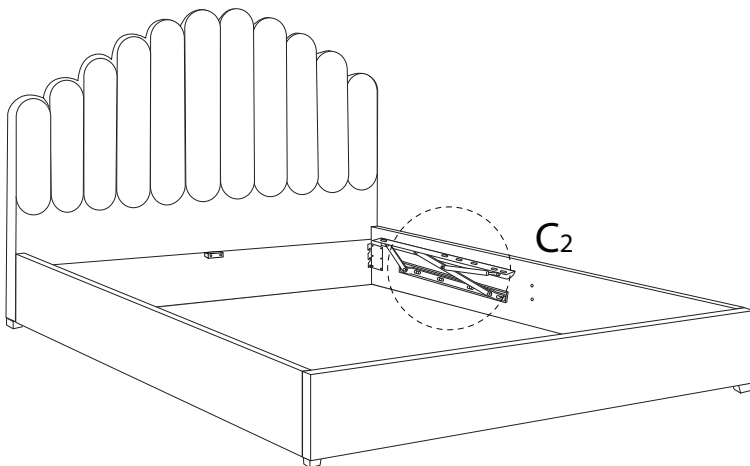
3

C1 x 1	C2 x 1	3 M8 x 30 x 10	7 M8 x 10	8 M8 x 10	9 M8 x 1
---------------	---------------	-----------------------------	---------------------	---------------------	--------------------

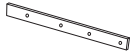
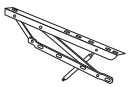
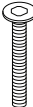
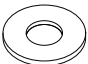

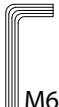


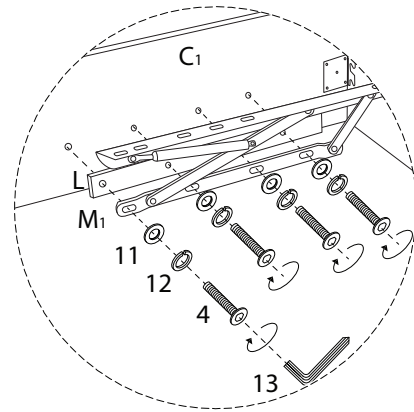
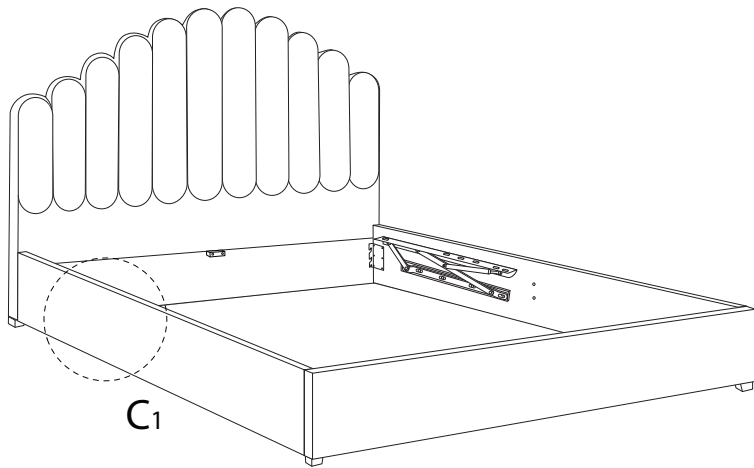
4

L x 1	M2 x 1	4 M6 x 40 x 4	11 M6 x 4	12 M6 x 4	13 M6 x 1
--------------	---------------	----------------------------	---------------------	---------------------	---------------------

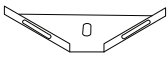
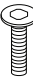


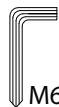


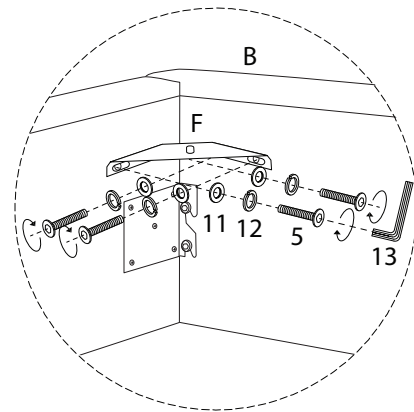
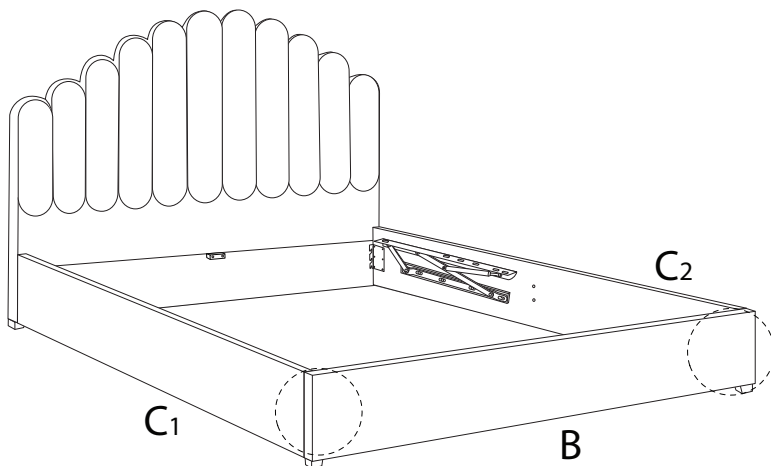
5

L  x 1	M ₁  x 1	4 M6 x 40  x 4	11 M6  x 4	12 M6  x 4	13  M6 x 1
---	--	--	---	--	--




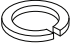



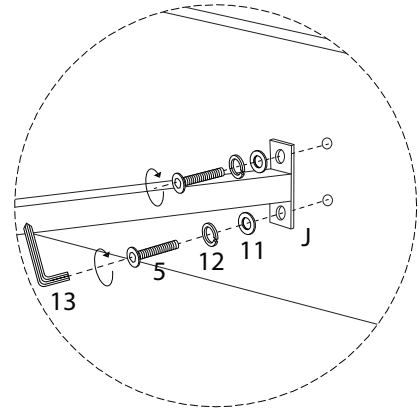
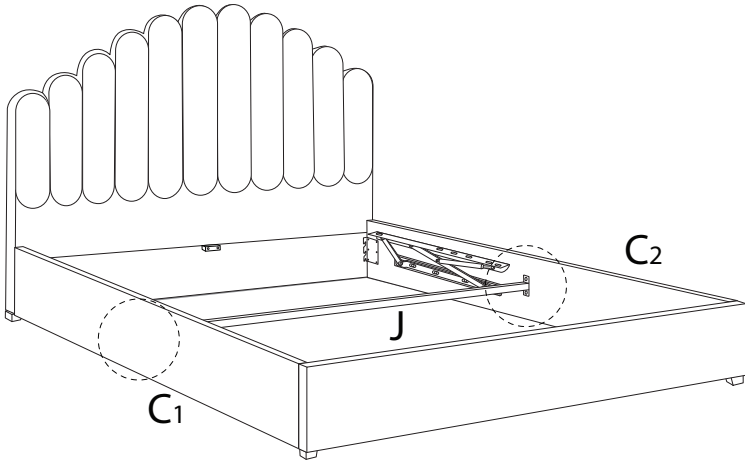
6

F  x 2	5 M6 x 20  x 8	11 M6  x 8	12 M6  x 8	13  M6 x 1
---	--	--	--	--

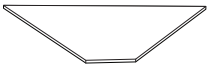


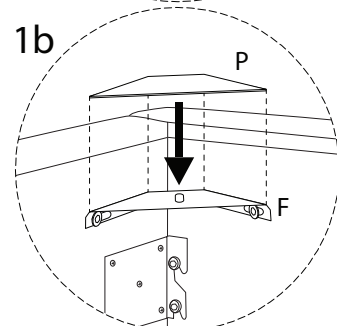
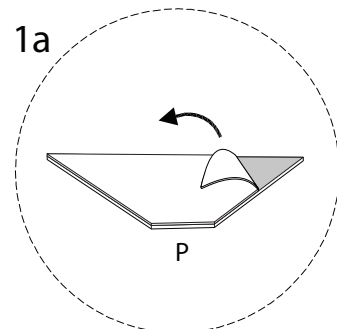
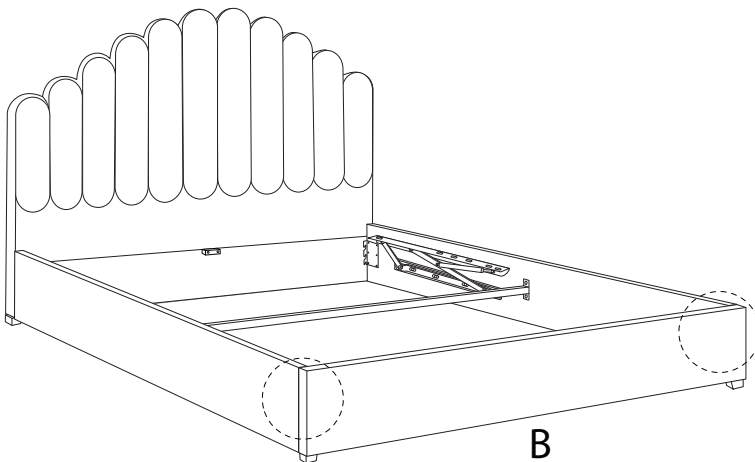
7

<p>J</p>  <p>x 1</p>	<p>5</p> <p>M6</p> <p>x 20</p>  <p>x 4</p>	<p>11</p> <p>M6</p>  <p>x 4</p>	<p>12</p> <p>M6</p>  <p>x 4</p>	<p>13</p> <p>M6</p>  <p>x 1</p>
---	---	--	--	--

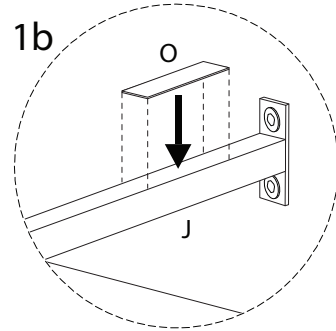
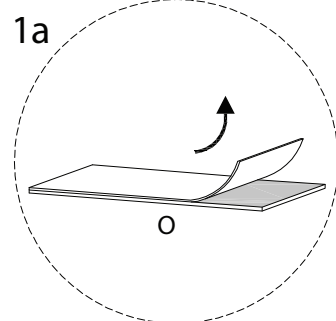
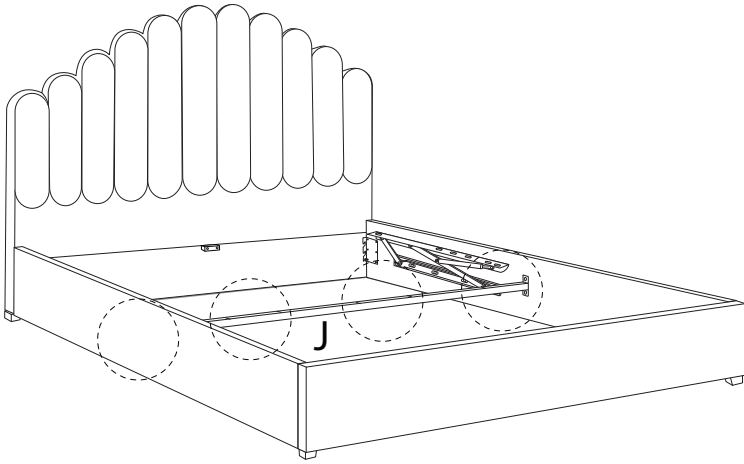
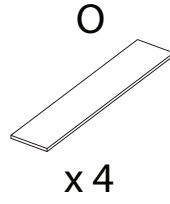


8

<p>P</p>  <p>x 2</p>

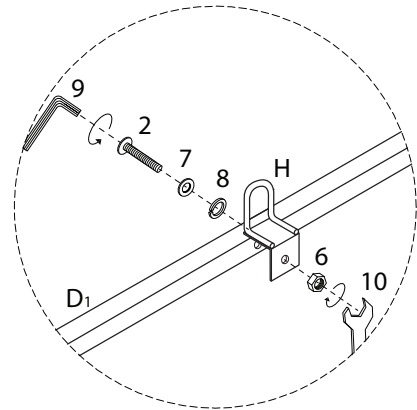
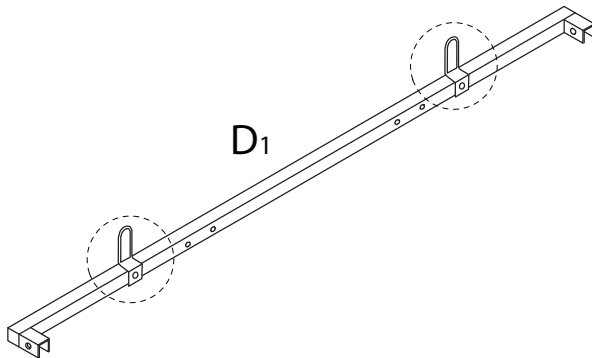


9

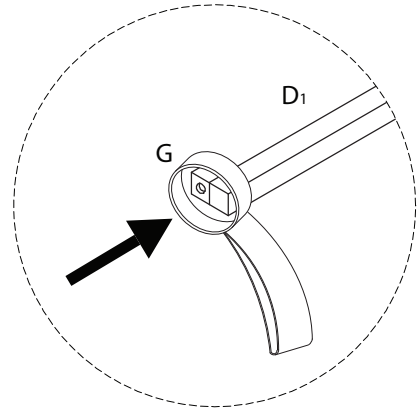
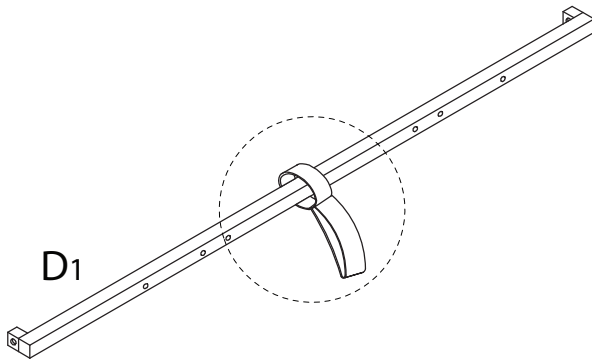
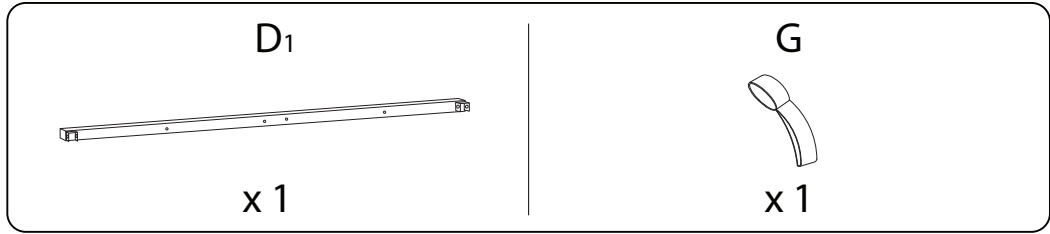


10

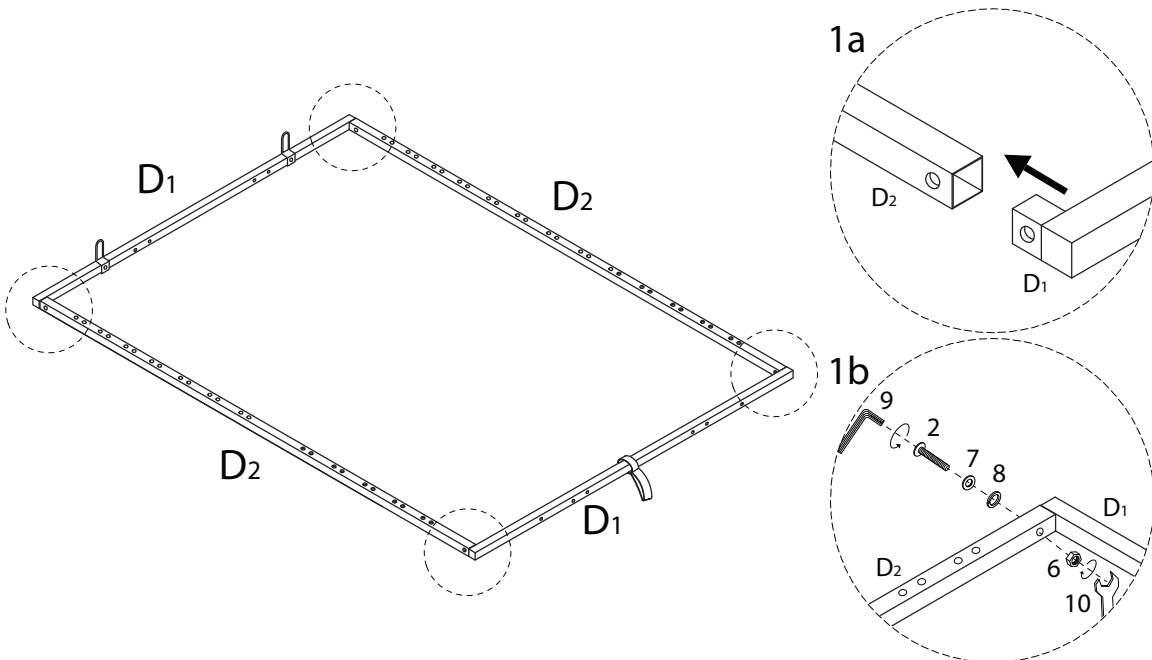
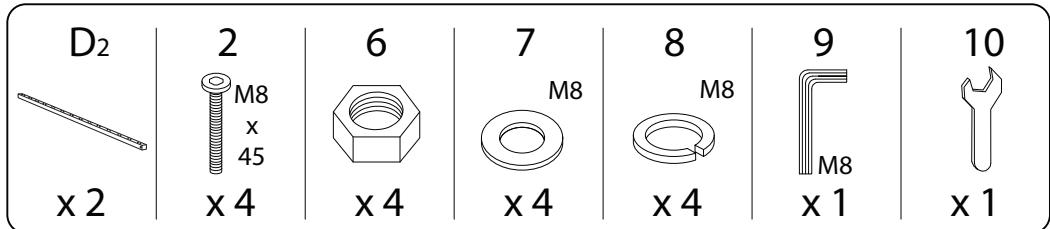
D ₁	H	2	6	7	8	9	10
x 1	x 2	x 2	x 2	x 2	x 2	x 1	x 1




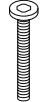
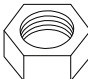

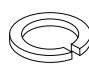
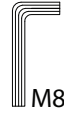

11

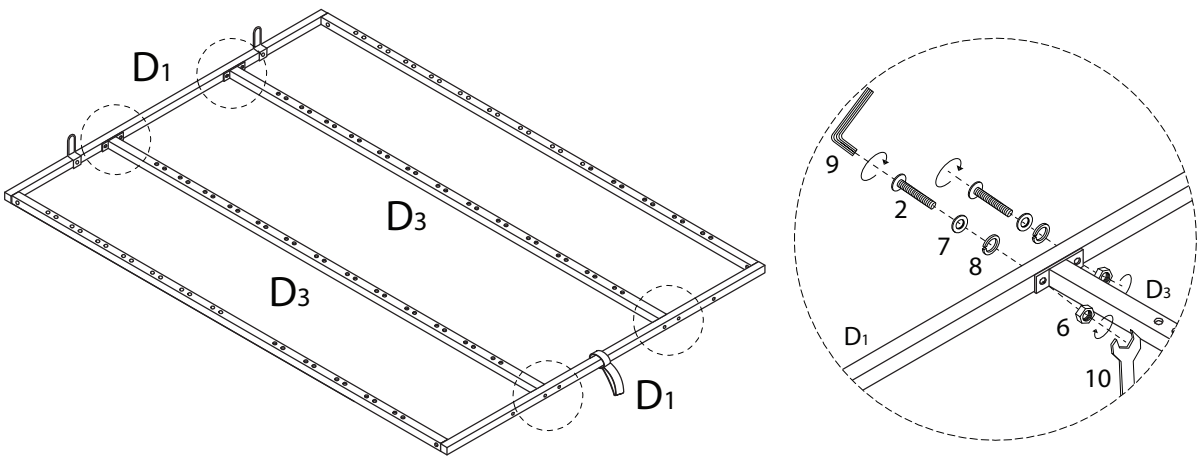


12

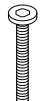
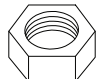

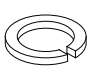
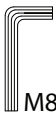



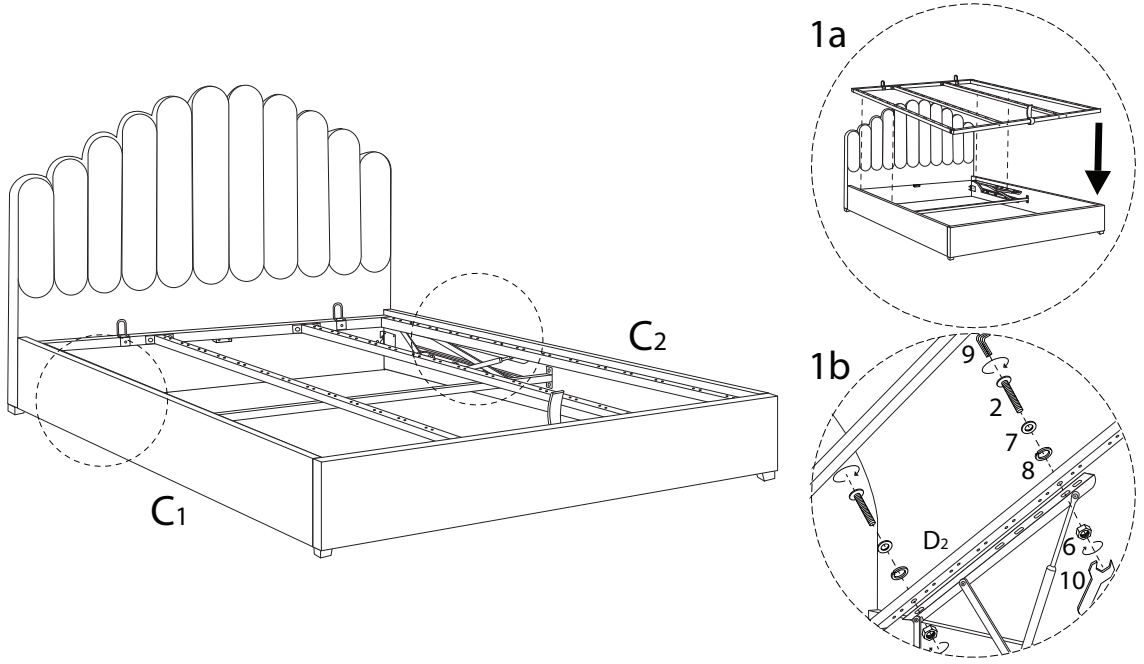
13

D ₃  x 2	2 M8 x 45  x 8	6  x 8	7 M8  x 8	8 M8  x 8	9 M8  x 1	10  x 1
--	---	---	---	--	---	--

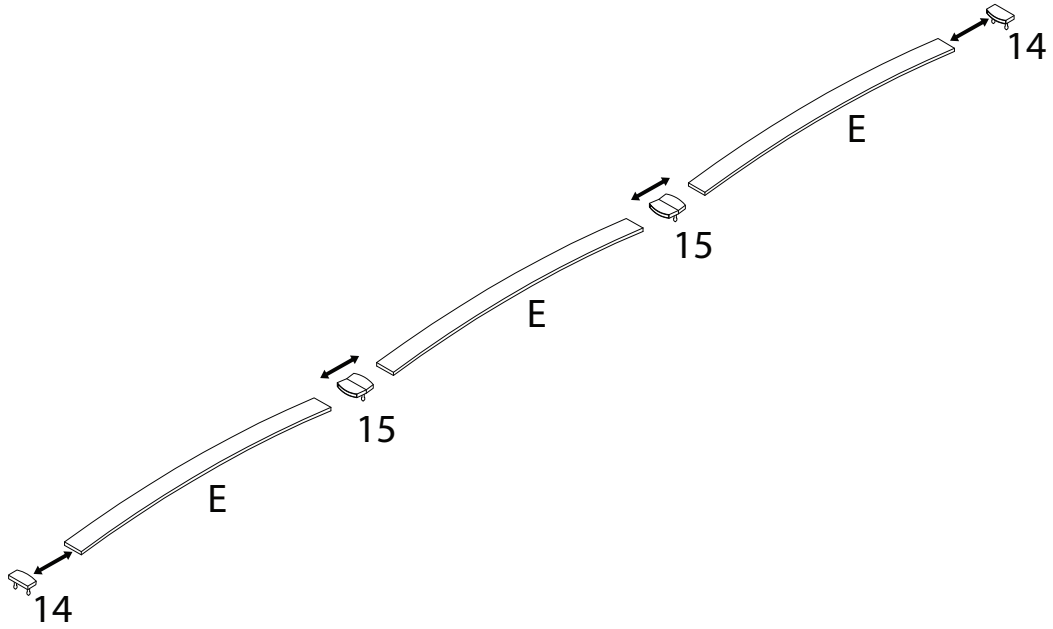
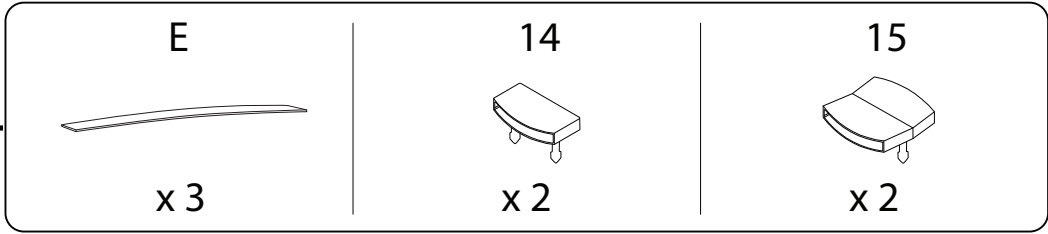


14

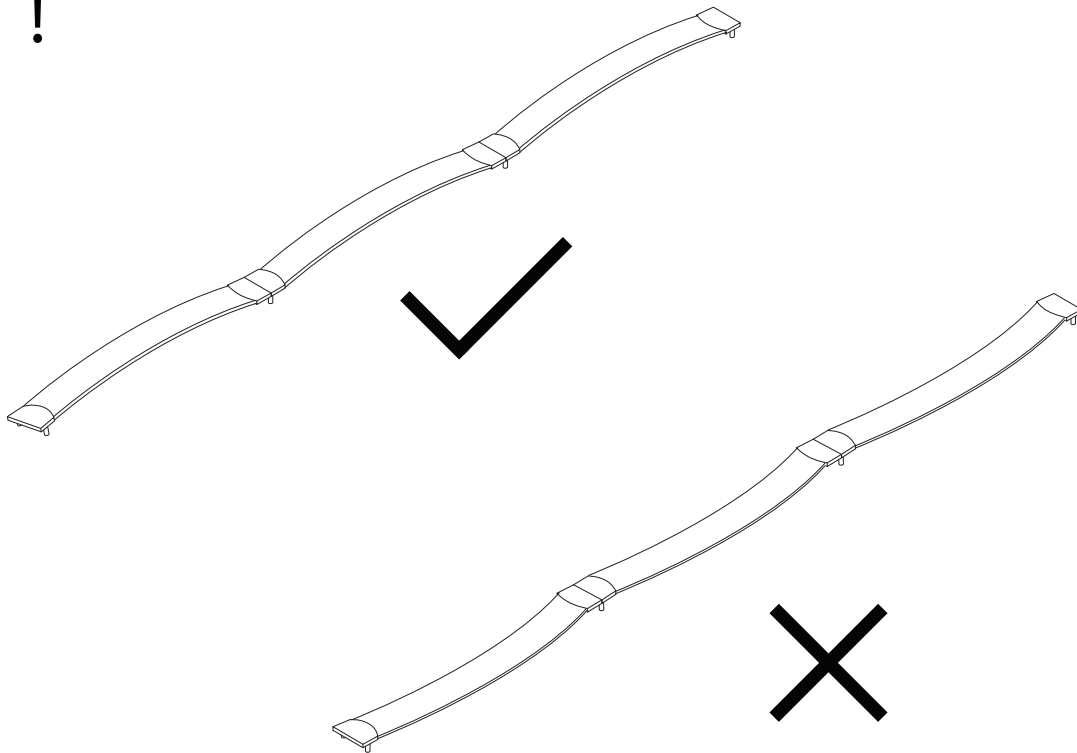
2 M8 x 45  x 4	6  x 4	7 M8  x 4	8 M8  x 4	9 M8  x 1	10  x 1
---	---	---	--	---	--



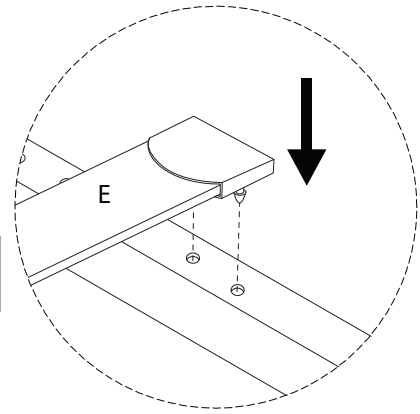
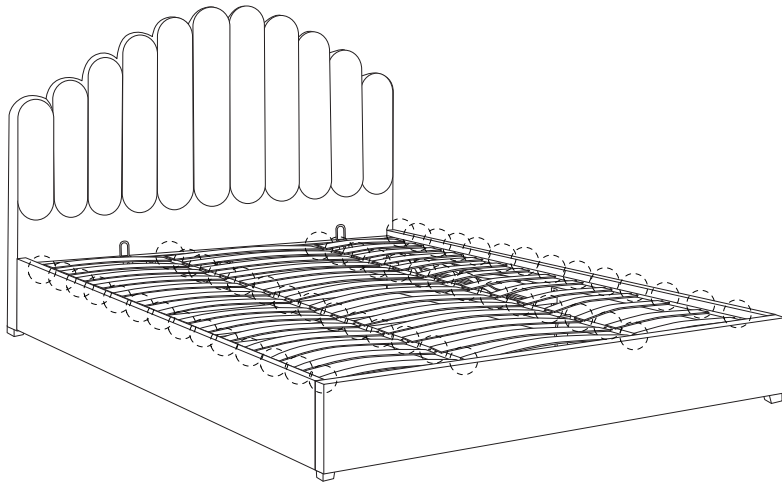
15 x 14



!

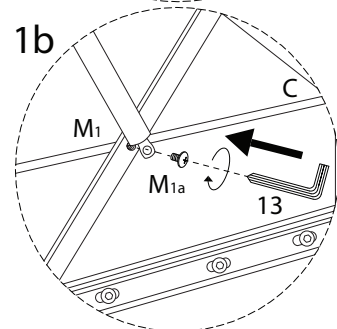
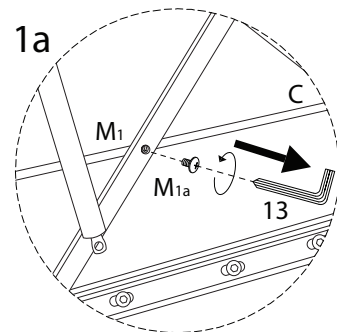
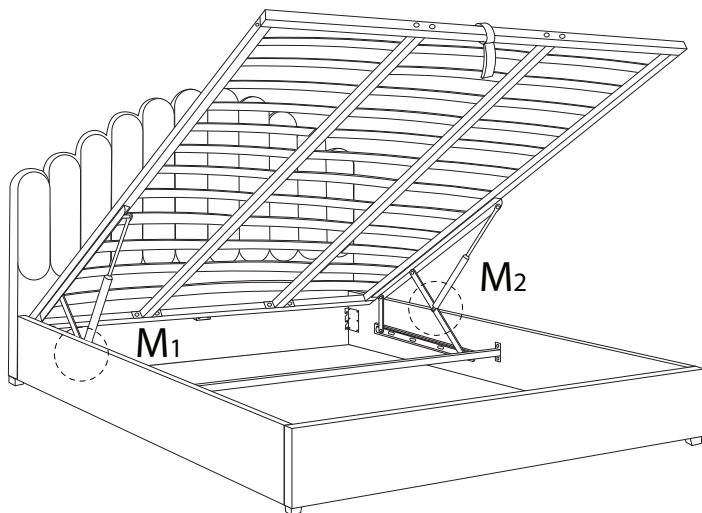


16



17

13
M6
x 1



18

