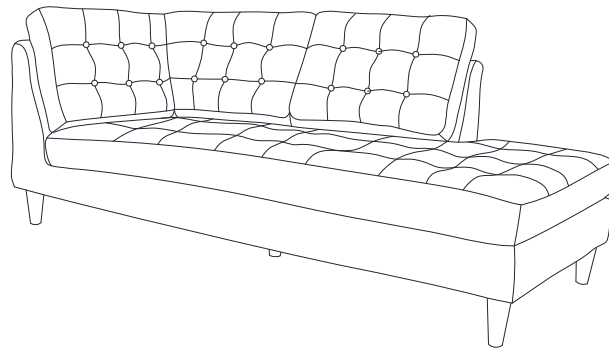


2 PIECE UPHOLSTERED FABRIC RIGHT FACING BUMPER SECTIONAL

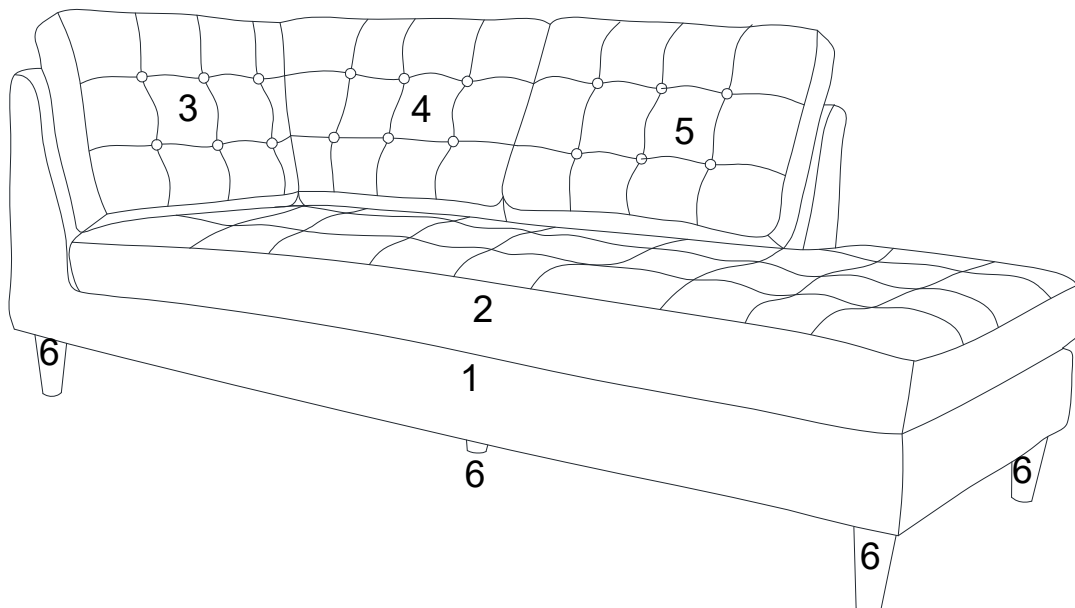
Thank you for purchasing this **RIGHT BUMPER CHAISE!**

Before you start, here is some helpful advice:

1. We suggest you spend a short time reading through this leaflet and then follow the simple step-by-step instructions.
 2. Owing to the size and weight of the Right Bumper Chaise, we recommend that it is assembled by two adults, on a carpeted or padded area, in the room that it is intended for. Approximate assembly time: 30 minutes.
 3. Please do not use any tools other than those provided or recommended in these instructions.
 4. Please do not throw away any of the packaging or instructions until you have checked all the components and hardware and the furniture is fully assembled.
 5. Assemble all components loosely until advised to tighten. Depending on use, it may be necessary to tighten the components from time to time, so please save the tools that have been provided.
 6. Please keep all pieces out of reach of children.
-



Components:



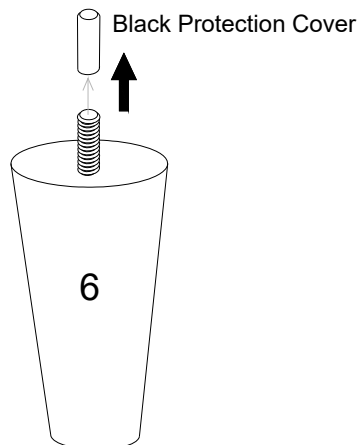
1	Right Bumper Chaise Frame	x1	2	Seat Cushion	x1	3	Back Cushion	x1
4	Side Cushion I	x1	5	Side Cushion II	x1	6	Leg	x5

STEP 1:

Open the Carton of **Right Bumper Chaise Frame (1)**.

Please find the package of 5 pieces of **Legs (6)** on the top of the seat. Take out 5 pieces of **Leg (6)** from the package.

Take off the **Black Protection Cover** from the **Legs (6)**.



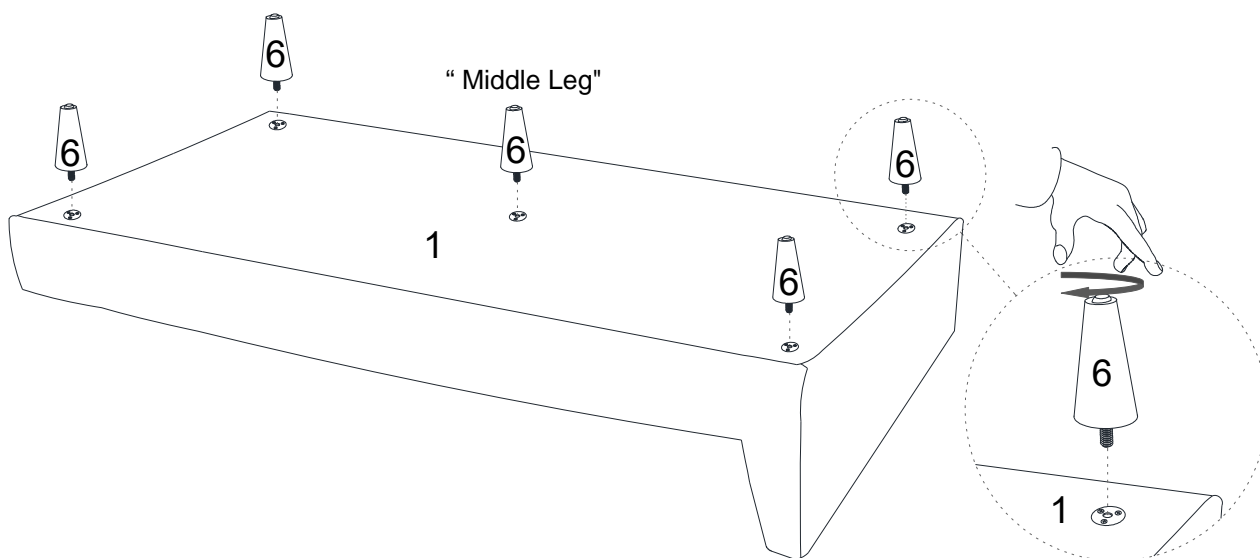
STEP 2:

Please put **Right Bumper Chaise (1)** upside down on a carpeted or padded surface without **Seat Cushion (2)**, **Back Cushion (3)**, and **Side Cushions (4&5)** as shown.

Insert 1 piece of Leg (6) labeled "Middle Leg" into the middle hole on the round metal plate at the middle of Right Bumper Chaise (1).

Insert 1 piece of Leg (6) into the hole on the round metal plate at the corners of the Right Bumper Chaise (1).

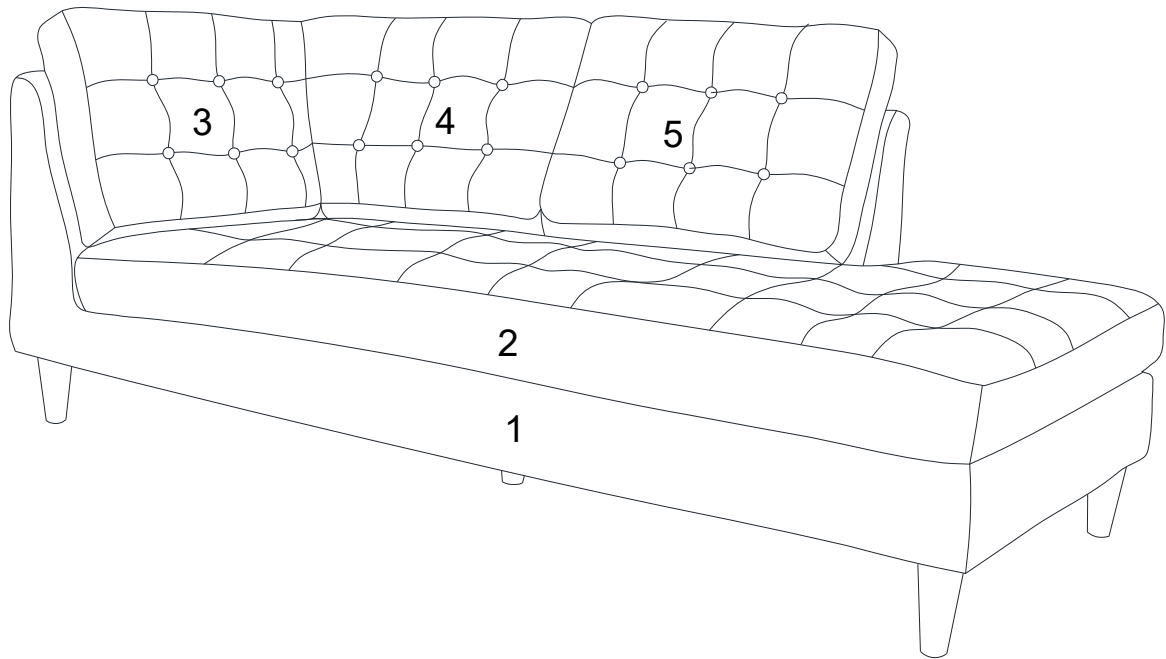
Repeat the same steps for the remaining Legs (6)



STEP 3:

Carefully turn over the **Right Bumper Chaise Frame (1)**.

Put **Seat Cushion (2)**, **Back Cushion (3)**, and **Side Cushions (4&5)** to the assembled **Right Bumper Chaise (1)** as shown.

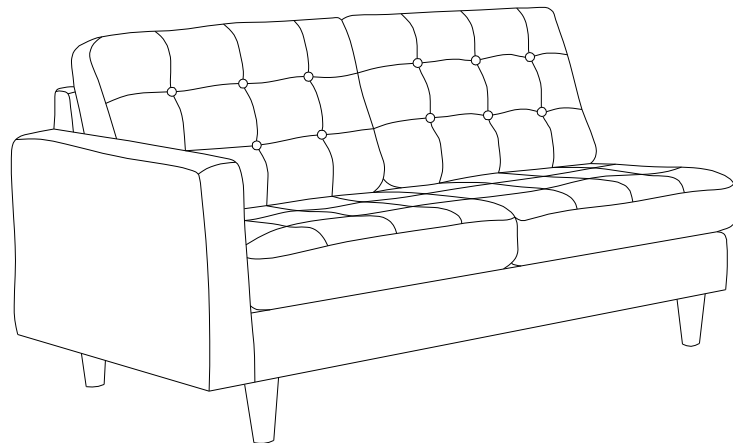


Assembly is complete. Your Right Bumper Chaise is ready to be used now!

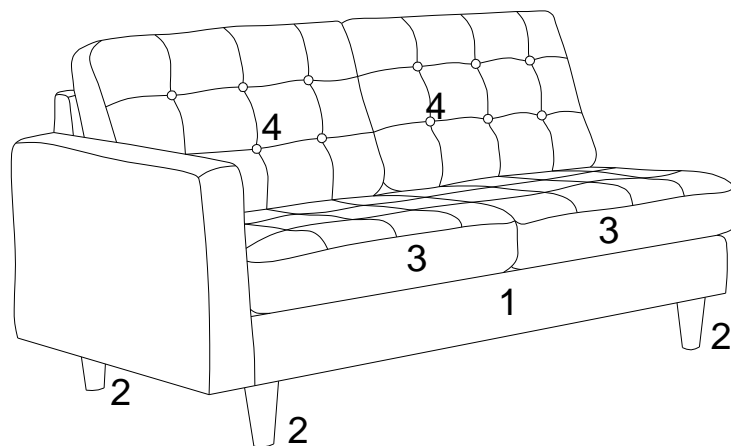
Thank you for purchasing the **LEFT ARM LOVESEAT!**

Before you start, here is some helpful advice:

1. We suggest you spend a short time reading through this leaflet and then follow the simple step-by-step instructions.
 2. Owing to the size and weight of the Left Arm Loveseat, we recommend that it is assembled by two adults, on a carpeted or padded area, in the room that it is intended for. Approximate assembly time: 30 minutes.
 3. Please do not use any tools other than those provided or recommended in these instructions.
 4. Please do not throw away any of the packaging or instructions until you have checked all the components and hardware and the furniture is fully assembled.
 5. Assemble all components loosely until advised to tighten. Depending on use, it may be necessary to tighten the components from time to time, so please save the tools that have been provided.
 6. Please keep all pieces out of reach of children.
-



Components:



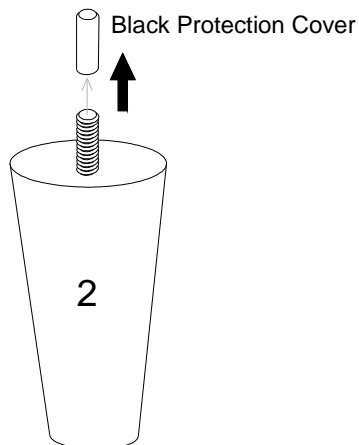
- 1 Left Loveseat Frame x1 2 Leg x4 3 Left Loveseat Seat Cushion x2 4 Left Loveseat Back Cushion x2

STEP 1:

Open the Carton of **Left Loveseat Frame (1)**.

Please find the package of 4 pieces of **Legs (2)** on the top of the seat. Take out the 4 pieces of **Legs (2)** from the package.

Take off the Black Protection Cover on the 4 pieces of **legs (2)**.



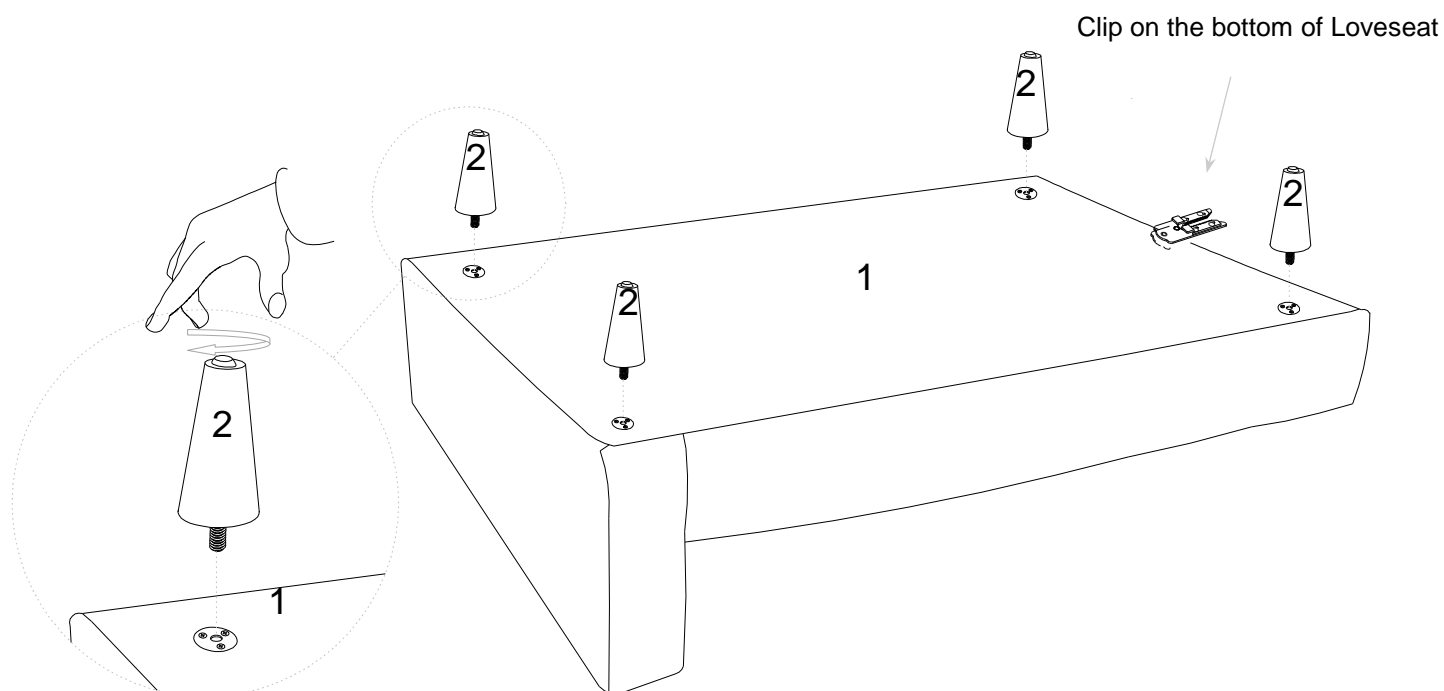
STEP 2:

Please put the **Left Loveseat Frame (1)** upside down on a carpeted or padded surface without 2 pieces of **Left Loveseat Seat Cushion (3)** and 2 pieces of **Left Loveseat Back Cushion (4)** as shown.

Insert 1 piece of **Legs (2)** into the hole on the round metal plate at the corners of the **Left Loveseat Frame (1)** as shown.

Use Hands to tighten the **Legs (2)** clockwise until secure.

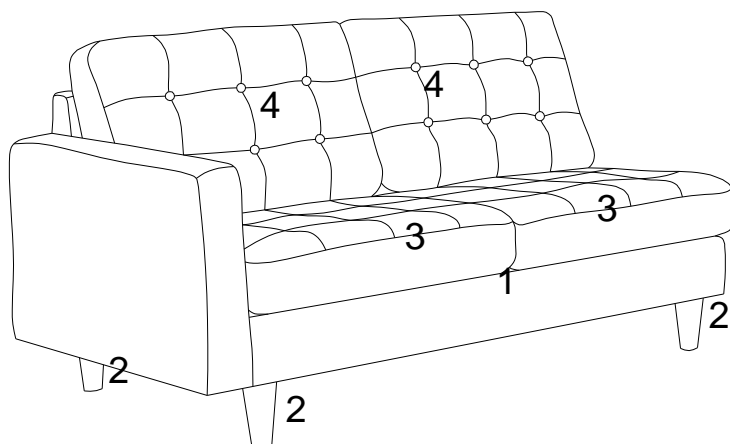
Repeat the same steps for the other three **Legs (2)**.



STEP 3:

Carefully turn over the **Left Loveseat Frame (1)**.

Put the 2 pieces of **Left Loveseat Seat Cushion (3)** and 2 pieces of **Back Cushion (4)** on the **Left Loveseat (1)** as shown.



Assembly is completed. The Left Arm Loveseat is ready to enjoy now!