

USER'S MANUAL
DINING SET 6 SEATER
A0003-BLAC



280 LBS
CHAIR
CAPACITY



570 LBS
SOFA
CAPACITY



110 LBS
TABLE
CAPACITY



1 PERSON
ASSEMBLY



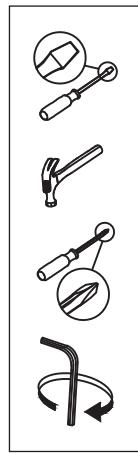
APPROXIMATELY
60 MIN.
ASSEMBLY

Contact Us!

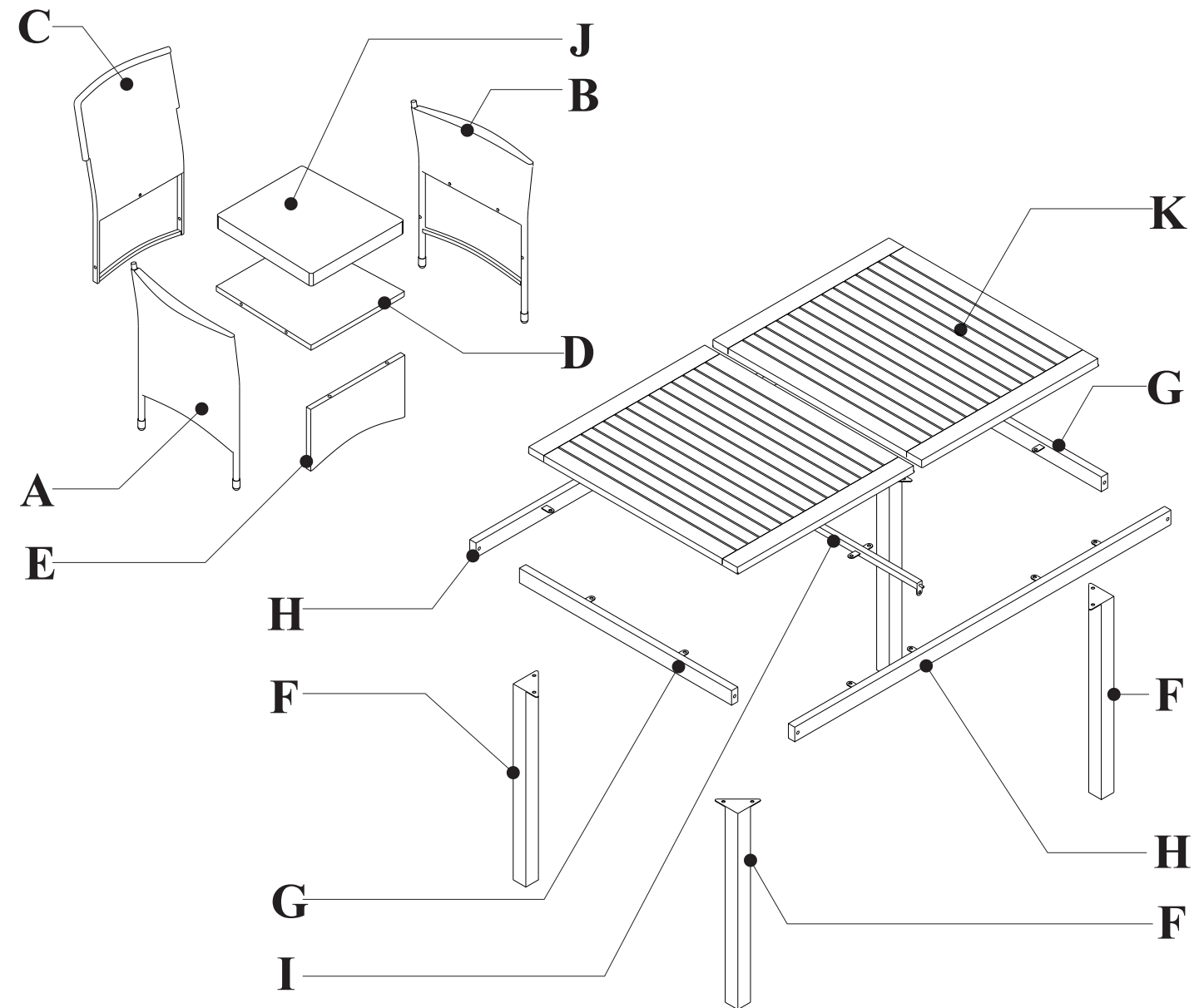
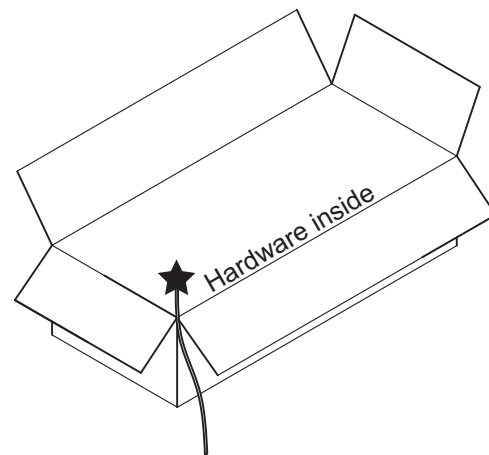
Need Help! Do NOT return this item.

Contact our friendly customer service department for help first.

Before You Start



- ⊙ Please do not exceed the weight limitation of each items
- ⊙ Do not stand on or use any part of this item as step ladder
- ⊙ Read each step carefully before starting. It is very important to ensure each step followed in correct order, otherwise assembly difficulties may occur.
- ⊙ Most of board parts are labeled or stamped on the raw edges. Have a check to make sure all parts are included.
- ⊙ Work in a spacious area, preferably on a carpet close to where the unit will be used.
- ⊙ Keep the handtools close at hand. Do not use power tools to assemble your furniture. They may scratch or damage the parts.
- ⊙ Manufacturer and seller expressly disclaim any and all liability for personal injury, property damage or loss, whether direct, indirect, or incidental, resulting from incorrect attachment, improper use, inadequate maintenance, or neglect of this product.
- ⊙ To entitle refund, all return must in its original product packaging with all accessories are included. Pictures return may required as evidence and the responsibilities will pass to us untill the item has been received by our side. All returned fee under customer's expense.



Notice:

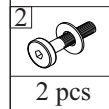
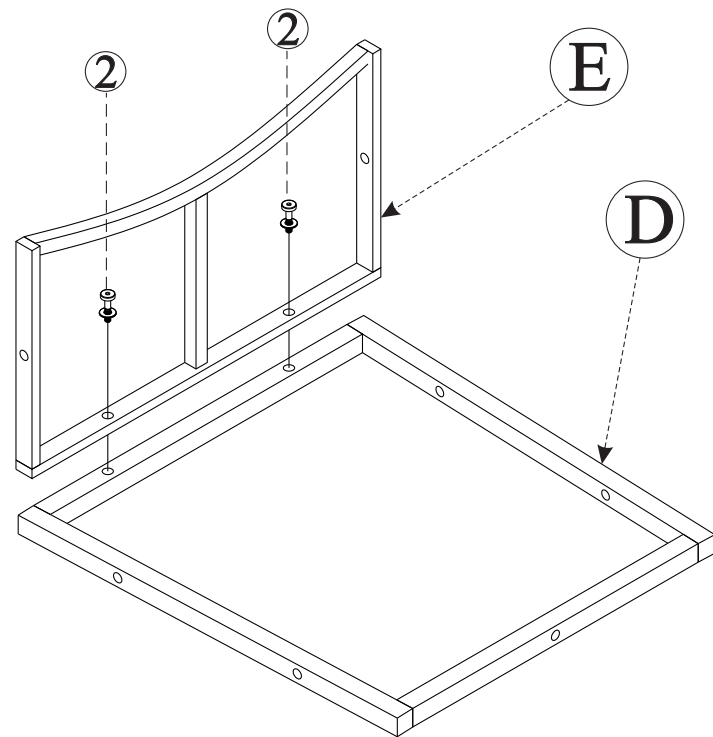
1. **50% Tighten before fixing all screws, Allen wrench is recommended instead of an electric drill.**
2. **Place the item on a flat ground to adjust and make sure it remains stable.**
3. **Tighten up all screws with tools gradually.**
4. **If the screws are not aligned with holes during assembly, please loosen all the other screws to 50% and continue the assembly process.**
5. **If the item is not stable, please loosen all the screws, adjust it on a flat ground and tighten up all screws again.**
6. **Note : If one or some screws are fully tightened during assembly, chances are the others will not be aligned with holes. In addition, all the holes are designed to be relatively larger to provide more space for the adjustment of the screws.**

<p>A</p> <p>Right Frame (6 pcs)</p>	<p>B</p> <p>Left Frame (6 pcs)</p>	<p>C</p> <p>Back Frame (6 pcs)</p>
<p>D</p> <p>Seat Frame (6 pcs)</p>	<p>E</p> <p>Front Frame (6 pcs)</p>	<p>F</p> <p>Table Leg (4 pcs)</p>
<p>G</p> <p>Short Table Top (2 pcs)</p>	<p>H</p> <p>Long Table Top (2 pcs)</p>	<p>I</p> <p>Mid Table Top (2 pcs)</p>
<p>J</p> <p>Seat Cushion (6 pcs)</p>	<p>K</p> <p>Wood Table Top (2 pcs)</p>	

<p>1</p> <p>Bolt M6x40mm (34 pcs)</p>	<p>2</p> <p>Bolt M6x30mm (36 pcs)</p>	<p>3</p> <p>Bolt M6x15mm (10 pcs)</p>
<p>4</p> <p>Allen key (1 pc)</p>		

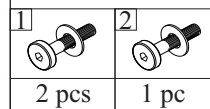
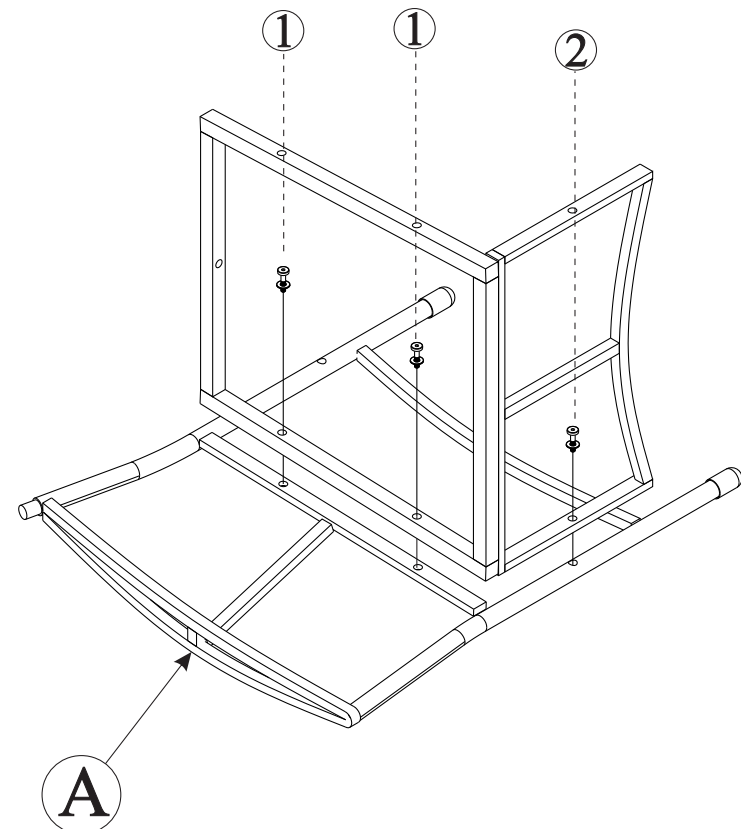
STEP 1

Connect Seat Frame (D) & Front Frame (E) with Bolt (2)



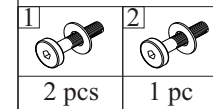
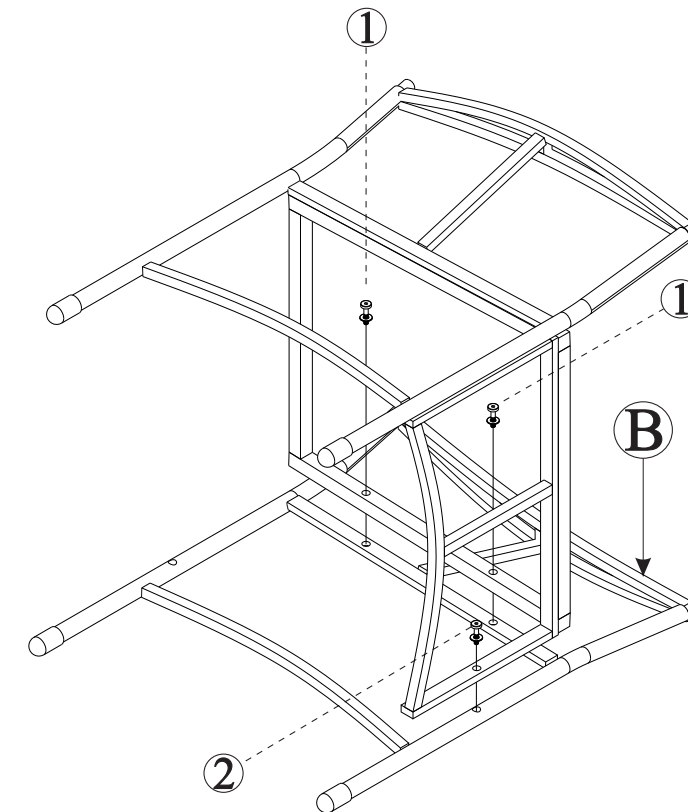
STEP 2

Connect part from STEP 1 & Right Frame (A) with Bolt (1) & (2)



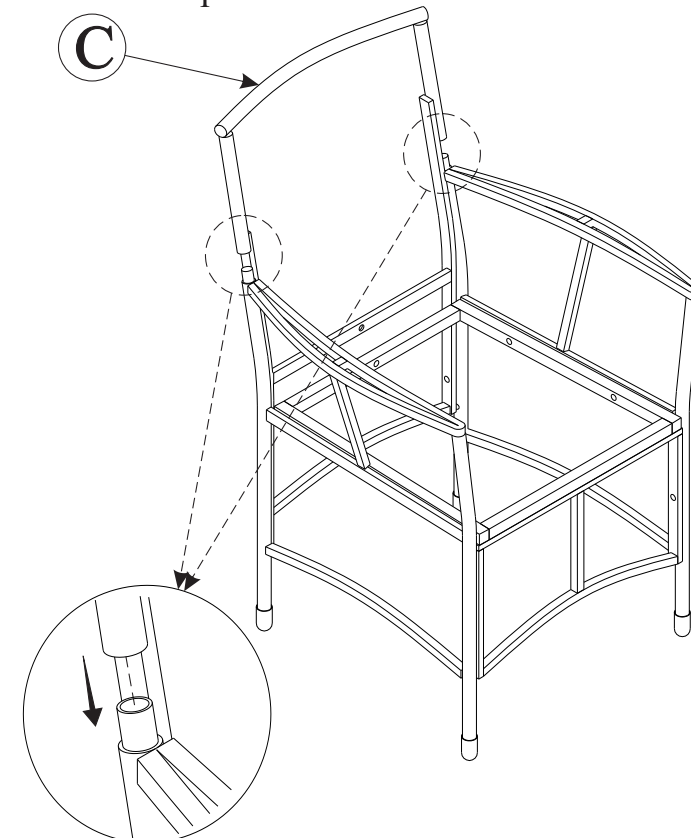
STEP 3

Connect part from STEP 2 & Left Frame (B) with Bolt (1) & (2)



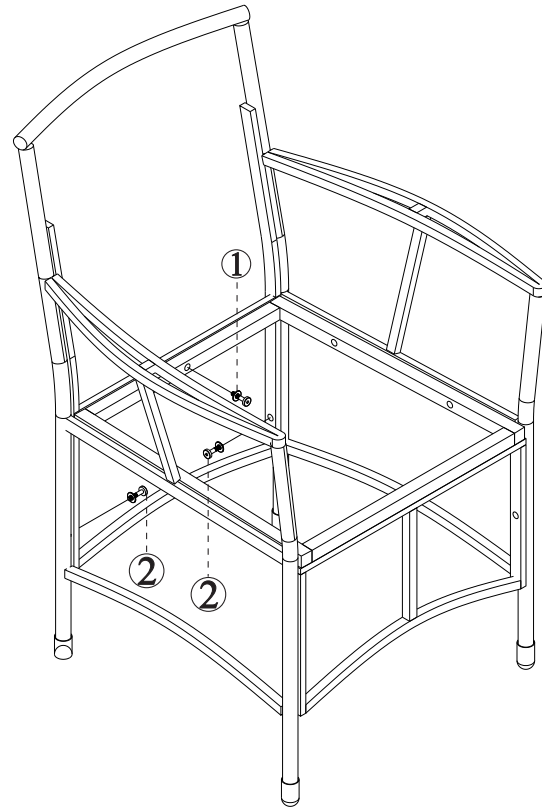
STEP 4



Connect part from STEP 3 & Back Frame (C)



STEP5

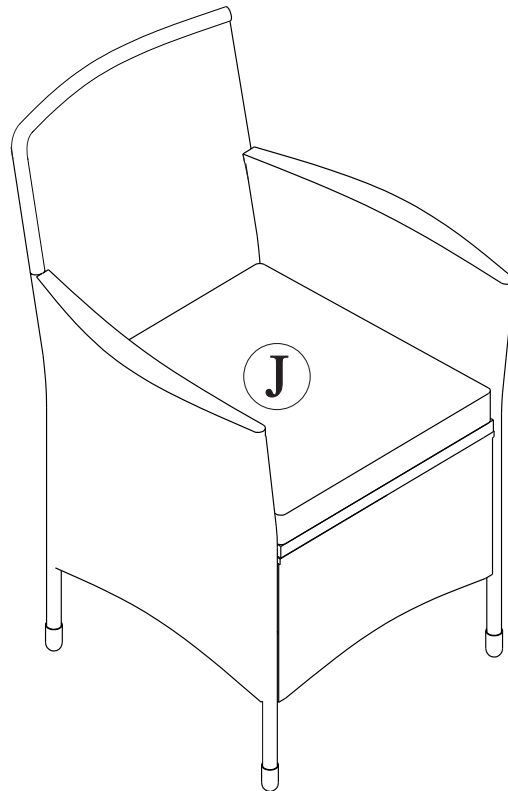
Connect part from STEP 4 with Bolt (1) & (2)



	
1 pc	2 pcs

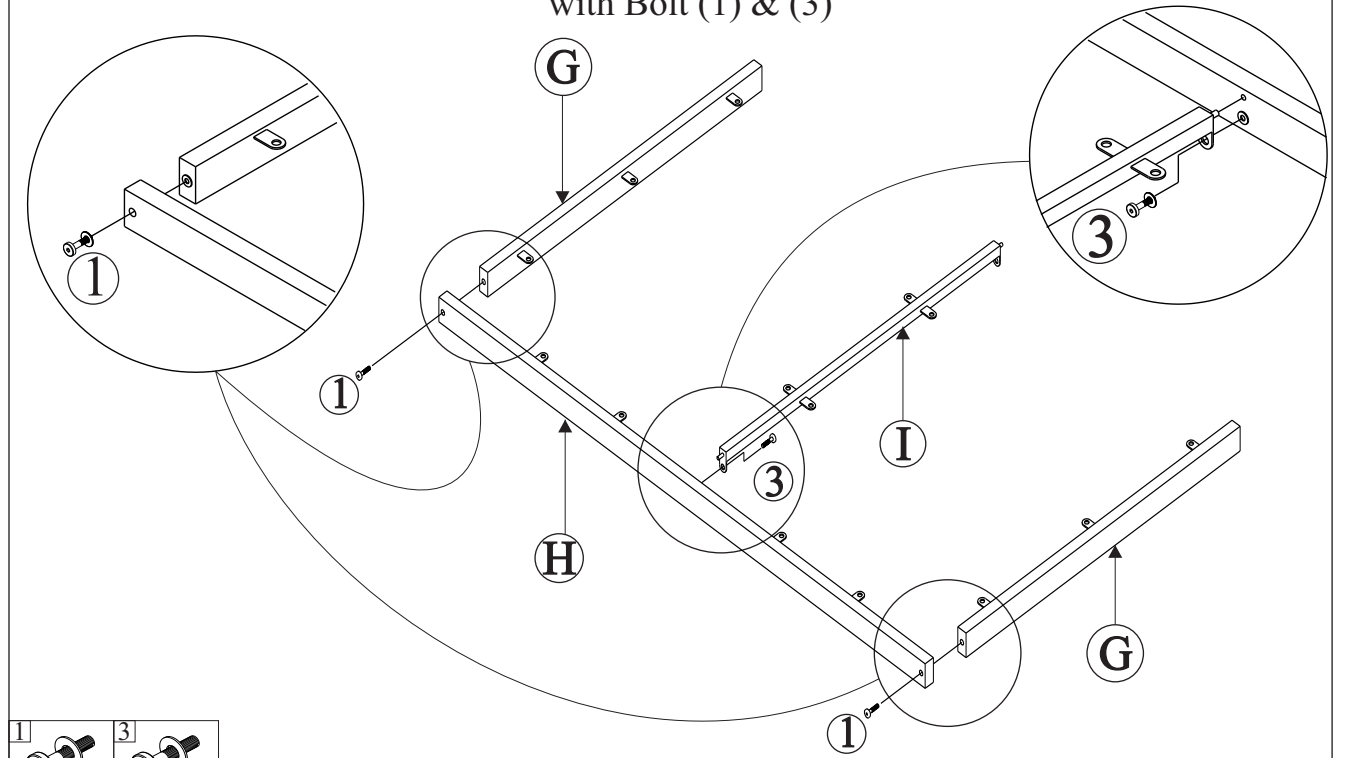
STEP 6


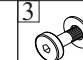
Put on Seat Cushion (J) to complete chair



STEP 7

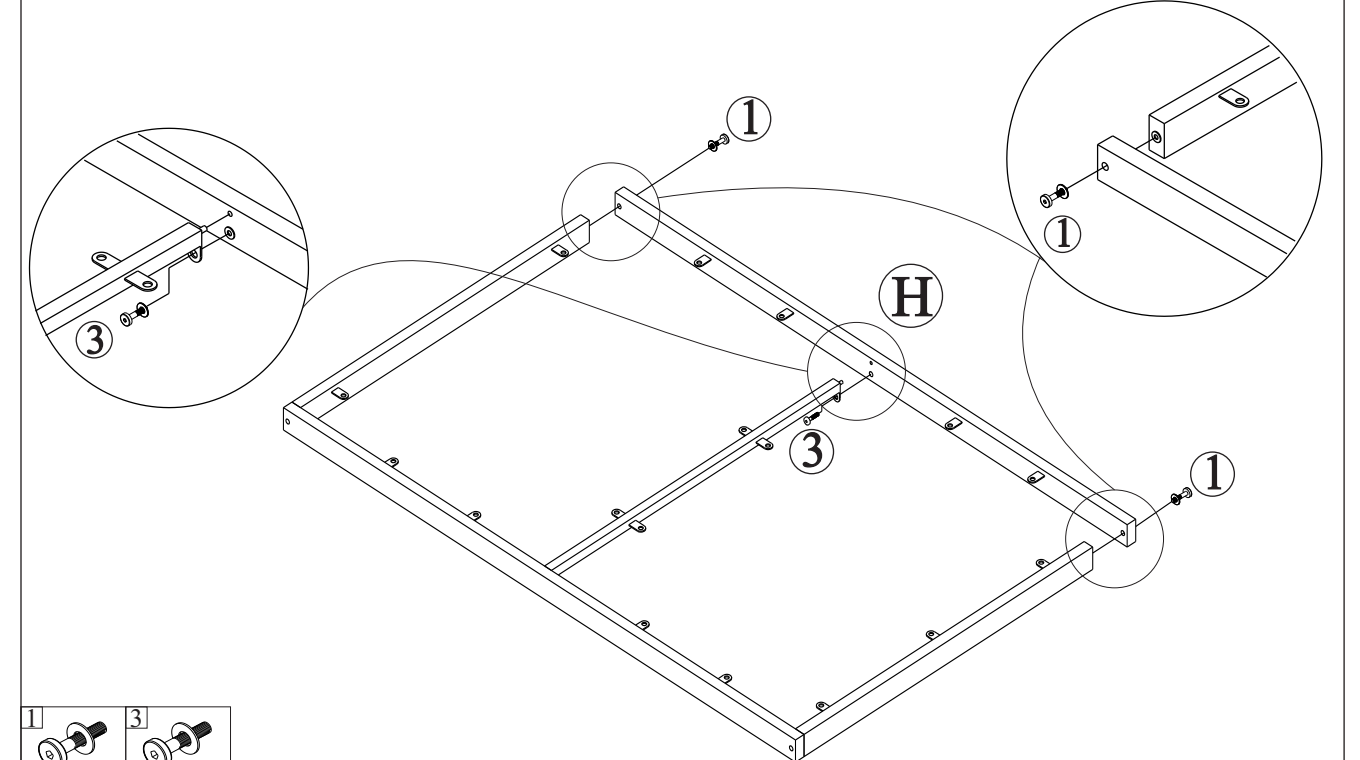
Connect 2pcs Short Table Top (G), Long Table Top (H) & Mid Table Top (I) with Bolt (1) & (3)


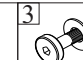


	
2 pcs	1 pc

STEP 8

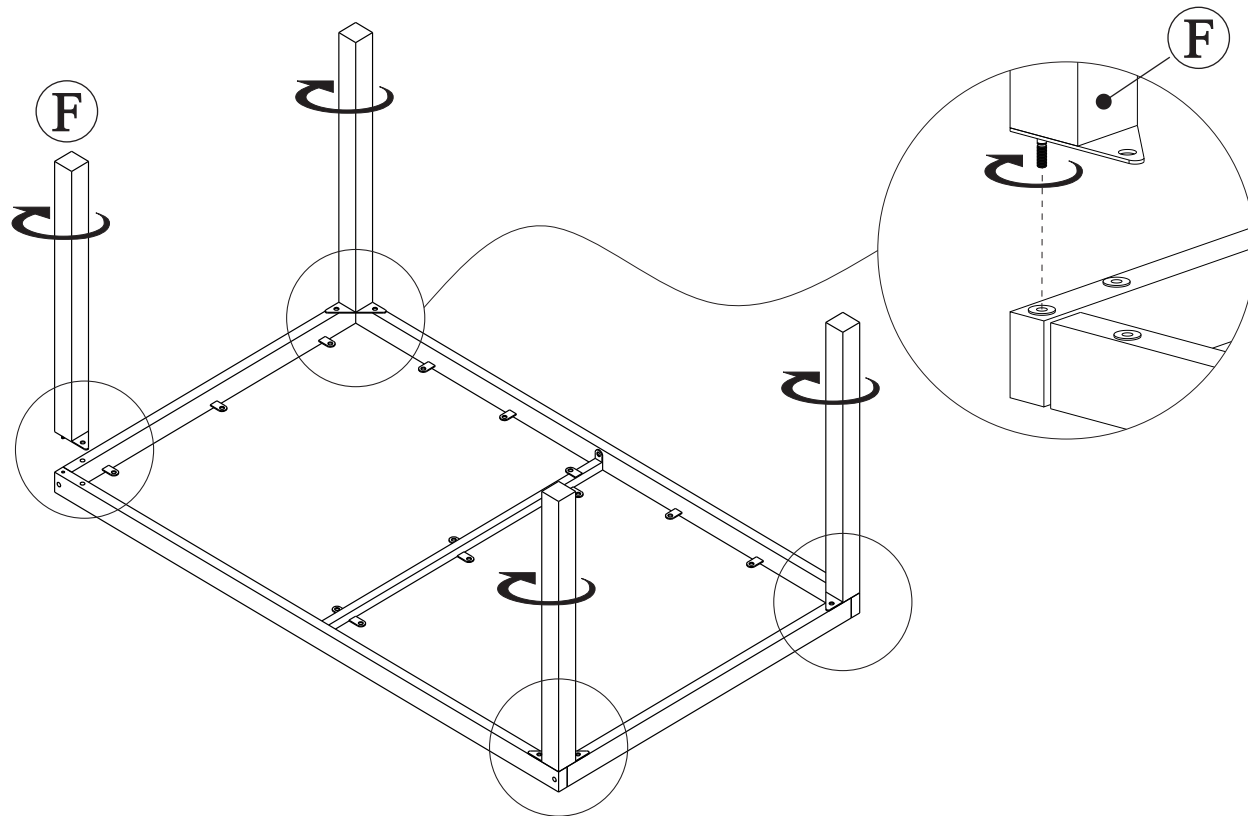
Connect part from STEP 7 & Long Table Top (H) with Bolt (1) & (3)



	
2 pcs	1 pc

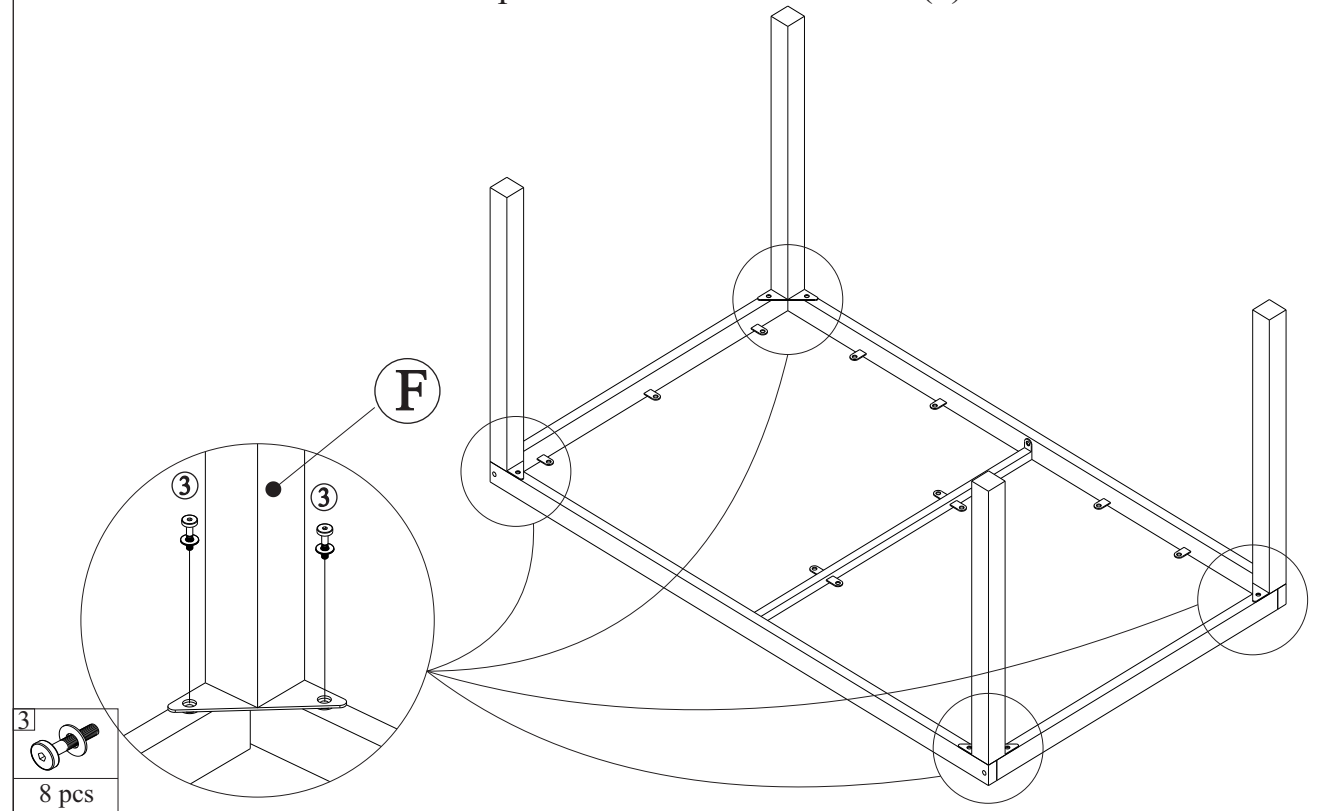
STEP 9

Connect part from STEP 8 & Table Leg (F)



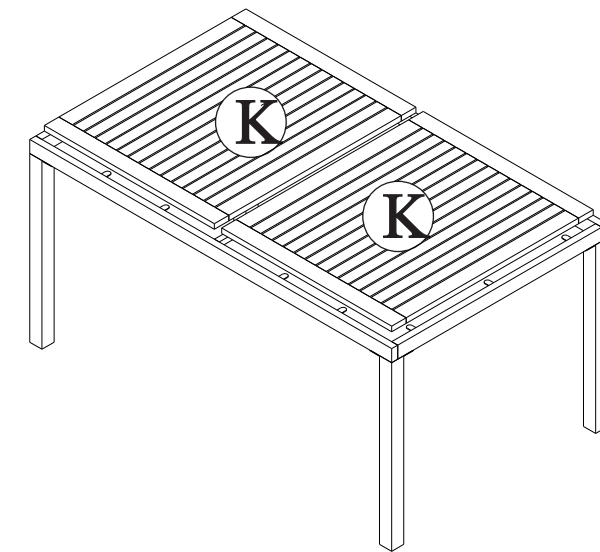
STEP 10

Connect part from STEP 9 with Bolt (3)



STEP 11

Put on Wood Table Top (K) to complete table



Care and Maintenance

Use a soft, clean cloth that will not scratch the surface when dusting.

Use of furniture polish is not necessary.

Should you choose to use polish, test first in an inconspicuous area.

Using solvents of any kind on your furniture may damage the finish.

Never use water to clean your furniture as it may cause damage to the finish.

Liquid spills should be removed immediately. Using a soft clean cloth, blot the spill gently. Avoid rubbing.

Check bolts/screws periodically and tighten them if necessary.

Further advice about wood furniture care

It is best to keep your furniture in a climate-controlled environment.

Extreme temperature and humidity changes can cause fading, warping, shrinking and splitting of wood.

It is advised to keep furniture away from direct sunlight as sun may damage the finish.

Proper care and cleaning at home will extend the life of your purchase.

Following these important and helpful tips will enhance your furniture as it ages.

Welcome & thanks for purchase our products!

Your suggestions and comments for Eelifee are really important to us!

We highly appreciate you can go back to our shop and leave a good rating just a simple click. It will help others to know us better!
as example :

★★★★★

*Great products for value, fast delivery, easy setup!

*Exclusive customer service!

5 Star Rating



We would like to express our sincere thanks to all of our customers for purchase our products and giving us valuable feedbacks.

THANK
YOU
☺