

ASSEMBLY INSTRUCTION

INSTRUCTIONS DE MONTAGE

TWIN / FULL BUNK BED/LIT SUPERPOSÉ SIMPLE/ DOUBLE

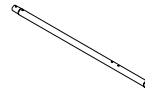
PART LIST / LISTE DE PIÈCES:



**A:Front LSF Post/
Poteau avant LSF**
1PC



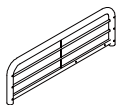
**B:Rear LSF Post/
Poteau arrière LSF**
1PC



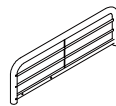
**C:Rear RSF Post/
Poteau arrière RSF**
1PC



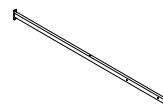
**D:Front RSF Post/
Poteau avant RSF**
1PC



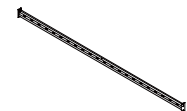
**E:Upper LSF Guardrail/
Garde-corps supérieur
LSF**
1PC



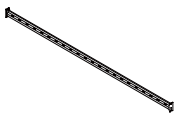
**F:Upper RSF Guardrail/
Garde-corps supérieur
RSF**
1PC



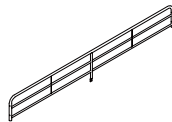
**G:Support Bar/
Barre de soutien**
2PCS



**H:Upper Support Rail/
Rail de support
supérieur**
2PCS



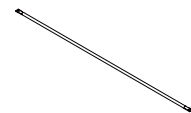
**I:Lower Support Rail/
Rail de support
inférieur**
2PCS



**J:Upper Guardrail/
Garde-corps supérieur**
2PCS



**K:Twin Slat/
Lattes jumelles**
22PCS



**L:Full Slat/
Lame pleine**
22PCS



**M:Slat Connector/
Connecteur à lamelles**
88PCS



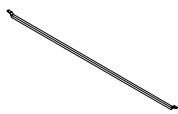
N:Ladder/Échelle
2PCS



O:Leg/Pied
2PCS



**P:Slat Spacer/
Entretoise de
lamelle**
42PCS



**Q:Center Support Rail/
Rail de support central**
1PC

HARDWARE LIST / LISTE DE QUINCAILLERIE:



1: Bolt/Boulon
1/4*35mm
x 8PCS



2: Bolt/Boulon
1/4*27mm
x 8PCS



3: Bolt/Boulon
1/4*16mm
x 28PCS



4: Bolt/Boulon
1/4*10mm
x 2PCS



5: Bolt/Boulon
M4*14mm
x 2PCS



6: Nut/Écrou
1/4
x 8PCS



**7: Allen Key/
Clé Allen**
4mm
x 1PC



8: Wrench/Clé
x 1PC



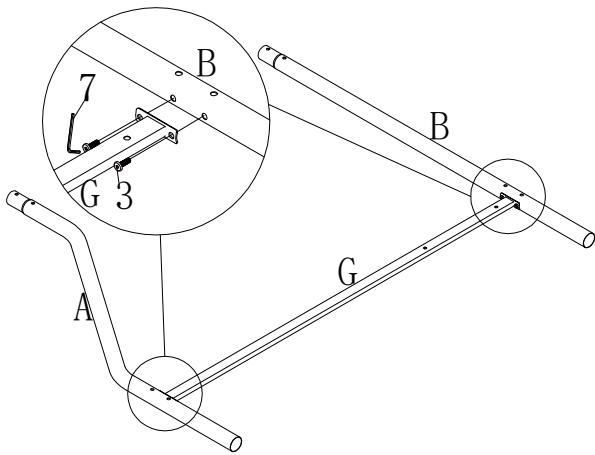
9: Washer/Machine
à laver
x 8PCS



Screwdriver
(Not Provide)/
Tournevis
(Ne pas fournir)

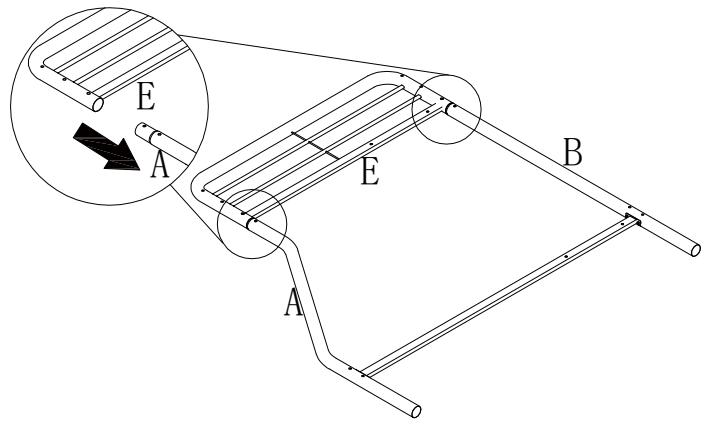
NOTE: PLEASE DO NOT TIGHTEN ALL BOLTS UNTIL THE BED IS ASSEMBLED COMPLETELY.
 NE PAS SERRER LES BOULONS JUSQU'À CE QUE LE MONTAGE SOIT COMPLETMENT TERMINE

STEP 1/ÉTAPE 1

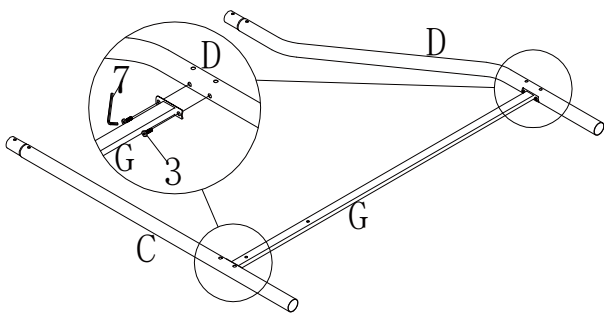


Hardware 3: 4 pcs/
 Matériel 3: 4 pièces

STEP 2/ÉTAPE 2

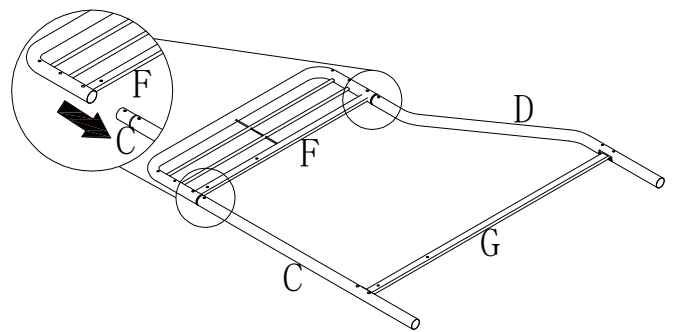


STEP 3/ÉTAPE 3

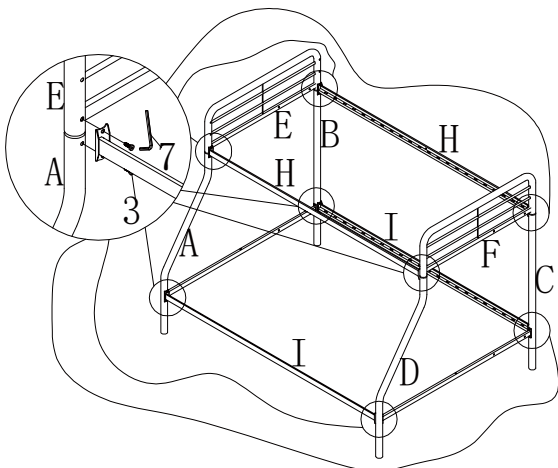


Hardware 3: 4 pcs/
 Matériel 3: 4 pièces

STEP 4/ÉTAPE 4

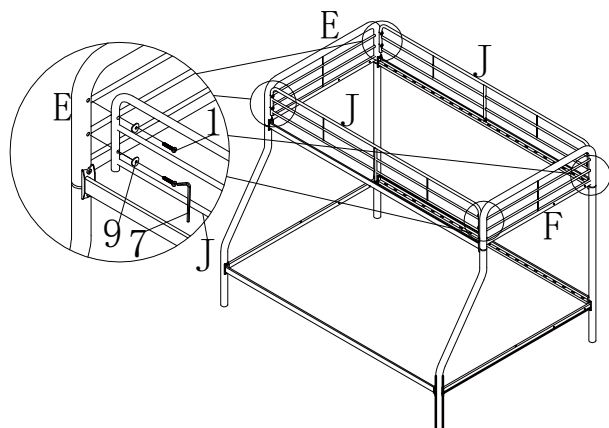


STEP 5/ÉTAPE 5



Hardware 3: 16 pcs/
 Matériel 3: 16 pièces

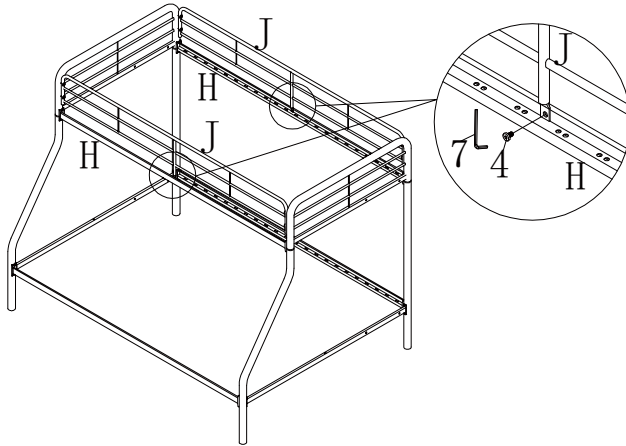
STEP 6/ÉTAPE 6



Hardware 1: 8 pcs/
 Matériel 1: 8 pièces
 Hardware 9: 8 pcs/
 Matériel 9: 8 pièces

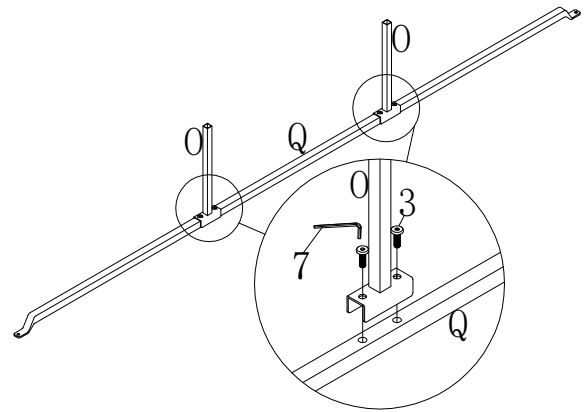
NOTE: PLEASE DO NOT TIGHTEN ALL BOLTS UNTIL THE BED IS ASSEMBLED COMPLETELY.
 NE PAS SERRER LES BOULONS JUSQU'À CE QUE LE MONTAGE SOIT COMPLETMENT TERMINE

STEP 7/ÉTAPE 7



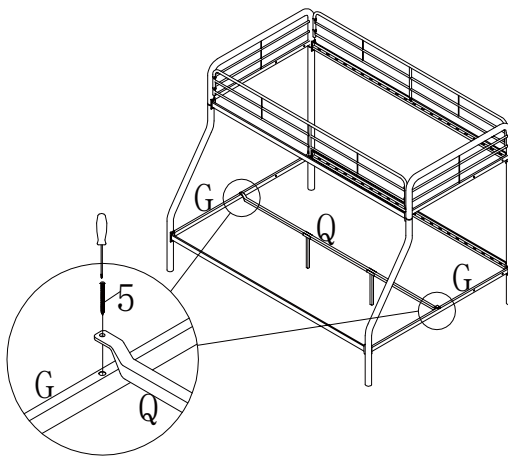
Hardware 4: 2 pcs/
Matériel 4: 2 pièces

STEP 8/ÉTAPE 8



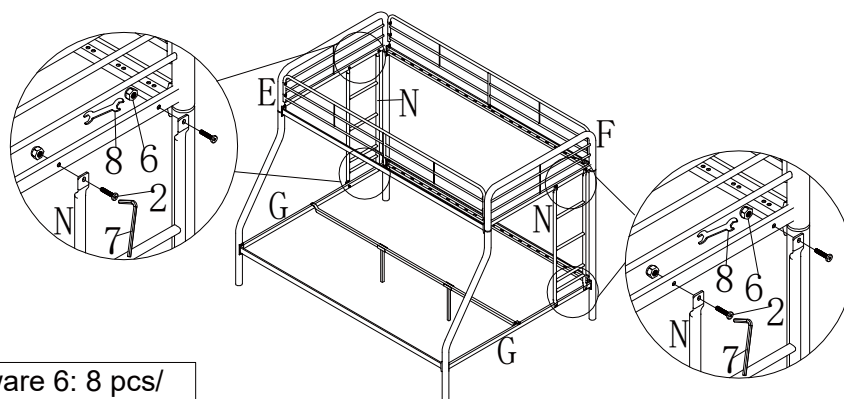
Hardware 3: 4 pcs/
Matériel 3: 4 pièces

STEP 9/ÉTAPE 9



Hardware 5: 2 pcs/
Matériel 5: 2 pièces

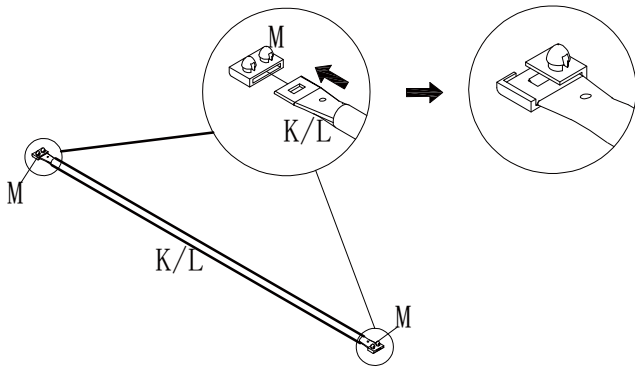
STEP 10/ÉTAPE 10



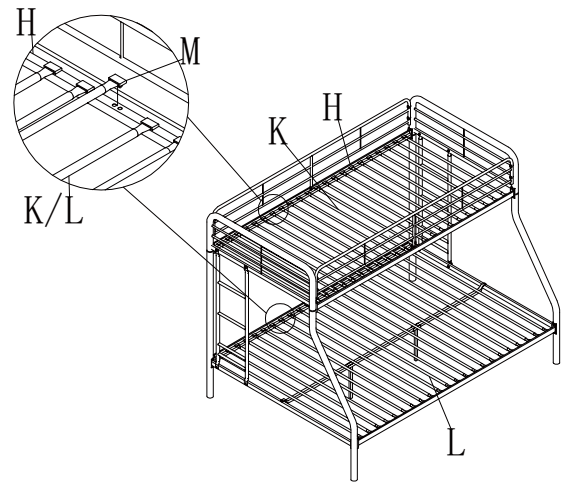
Hardware 6: 8 pcs/
Matériel 6: 8 pièces
Hardware 2: 8 pcs/
Matériel 2: 8 pièces

NOTE: PLEASE DO NOT TIGHTEN ALL BOLTS UNTIL THE BED IS ASSEMBLED COMPLETELY.
NE PAS SERRER LES BOULONS JUSQU'À CE QUE LE MONTAGE SOIT COMPLETMENT TERMINE

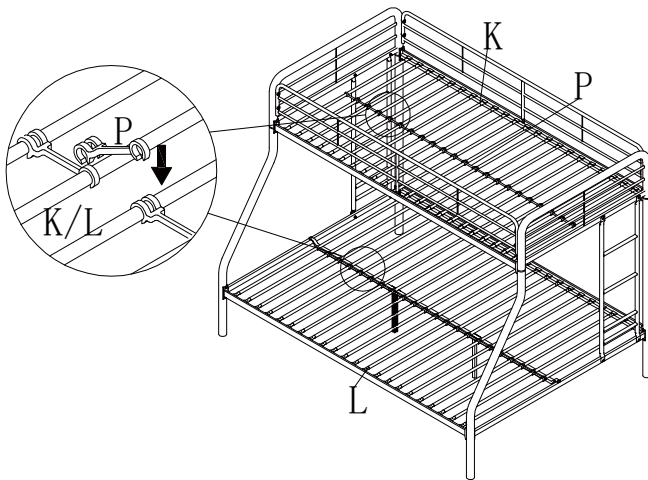
STEP 11/ÉTAPE 11



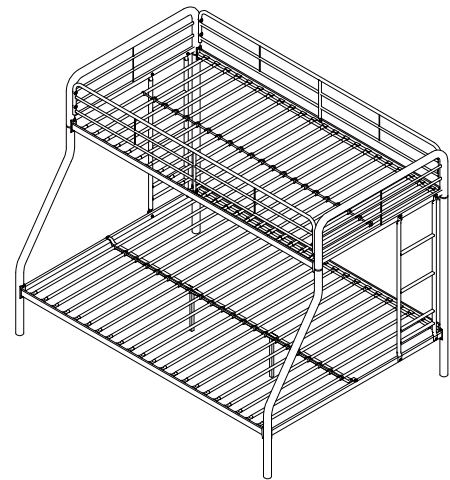
STEP 12/ÉTAPE 12



STEP 13/ÉTAPE 13



COMPLETED/TERMINÉ



Hardware may loosen over time. Periodically check to make sure all connections are tight. Re-tighten if necessary.



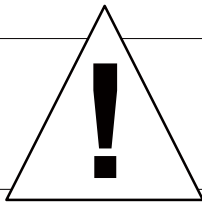
L'hardware peut se desserrer avec le temps. Vérifiez périodiquement pour vous assurer que toutes les connexions sont bien serrées. Resserrez si nécessaire.



For items use on wooden floor, hard surfaces or carpets. It is recommended to install protective pads under all legs and supports to avoid damage or scratches when placing furniture on a wood floor or other hard surface, and to limit indentation and prevent discoloration if placing on carpet.



Pour les articles à utiliser sur le parquet, les surfaces dures ou les tapis. Il est recommandé de placer des coussins protecteurs sous tous les pieds et toutes les bases des meubles pour éviter d'endommager ou d'égratigner les planchers en bois ou autres surfaces dures, et pour limiter l'empreinte et empêcher la décoloration quand les meubles reposent sur la moquette.



SAFETY WARNING

Homelegance puts your child's safety as a Top Priority. Our bunk beds have been tested by an independent laboratory and certified to be in compliance with ASTM F1427, "Standard Consumer Safety Specification for Bunk Beds" and U.S. Government specifications 16 Code of Federal Regulations, Parts 1213 and 1513.

1. Follow the information on the warning attached to the upper end structure and on the carton. Do not remove this label.
2. Always use the recommended size mattress or mattress support or both to help prevent the likelihood of entrapment or falls.
3. Ensure thickness of mattress does not exceed 6" and mattress surface at least 5" inches below upper edge of guardrails.
4. Do not allow children less than 6 years of age to use the upper bunk.
5. Prohibit more than one person on upper bunk.
6. Periodically check and ensure that the guardrail, ladder and other components are in their proper position, free from damage, and that all connectors are tight.
7. Do not allow horseplay on or under the bed and prohibit jumping on the bed.
8. Always use the ladder for entering and leaving the upper bunk.
9. Do not use substitute parts. Contact the manufacturer or dealer for replacement parts.
10. Use of a night light may provide added safety precaution for a child using upper bunk.
11. If the bunk bed will be placed next to a wall, the guardrail that runs the full length of the bed should be placed against the wall to prevent entrapment between the bed and the wall.
12. Always use guardrails or both long sides of the upper bunk.
13. The use of water or sleep flotation mattress is prohibited.
14. Keep these instructions for future reference.

STRANGULATION HAZARD:

15. Never attach or hang items to any part of the bunk bed that are not designed for use with the bed, for example, but not limited to, hooks, belts, and jump ropes.

SIZE OF MATTRESS AND FOUNDATION:

Use only mattress which is 74" x 38" x 6" for upper bunk bed, and 74" x 54" x 8" for the bottom bunk bed.

NOTE: Surface of mattress must be at least 5" below the upper edge of guardrails.