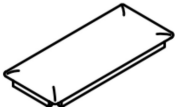












Assembly instructions

Product name: Shoe bench
100cm

| NO. | Part name | Parts drawing | Parts Size | Quantity |
|-----|-----------------------------|---|-------------------|----------|
| 1 | Seat frame |  | 1000 * 300 * 63MM | 1 |
| 2 | Movable laminate |  | 930 * 240 * 12MM | 2 |
| 3 | Bottom frame |  | 930 * 240 * 32MM | 1 |
| 4 | Front legs |  | 502 * 40 * 40MM | 2 |
| 5 | Back legs |  | 502 * 40 * 40MM | 2 |
| 6 | Middle leg |  | 55 * 35 * 35MM | 1 |
| A | Round head hexagonal screws |  | M6 * 50MM | 8 |
| B | Round head hexagon screws |  | M6 * 35MM | 4 |
| C | Flat washers |  | M6 * 13MM | 12 |

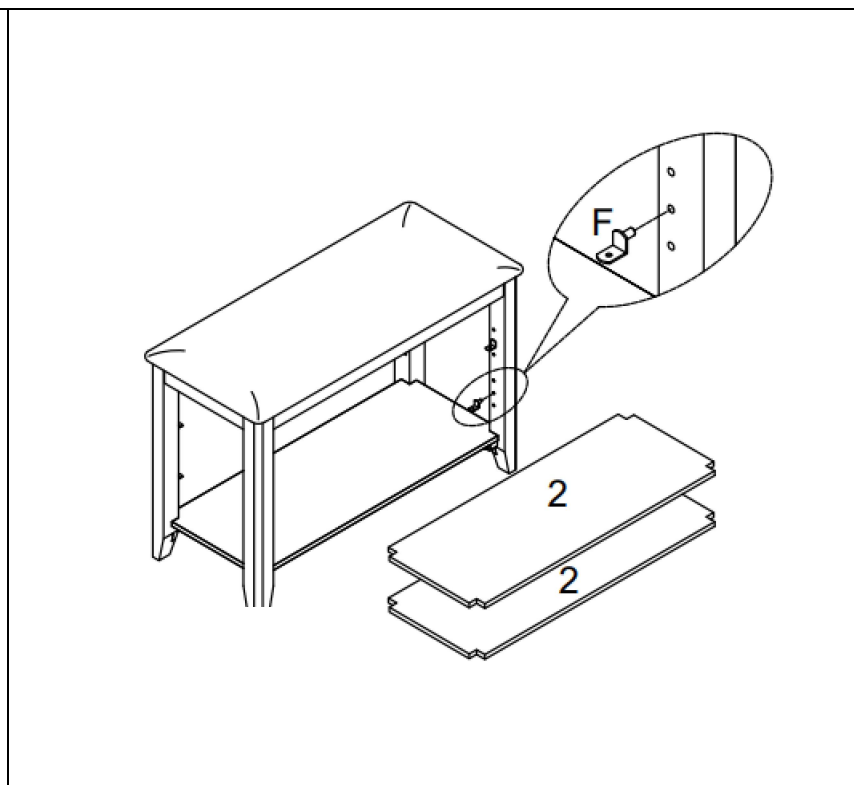
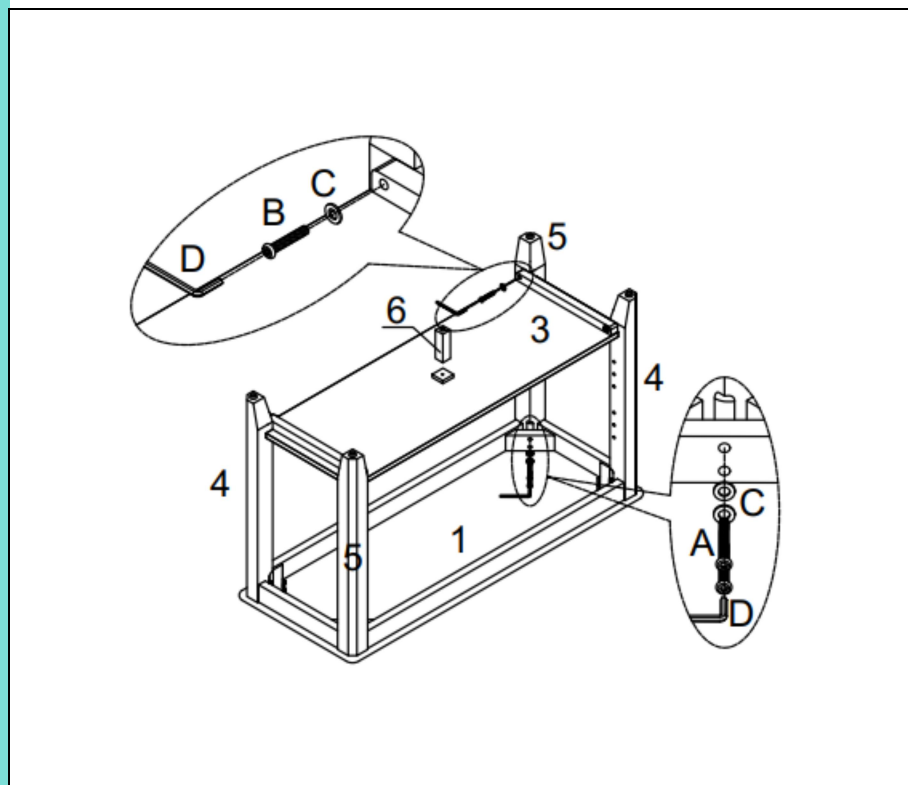
This product has been inspected for wood and paint, and it fully conforms to the national quality inspection standards. After passing the inspection, it will be delivered to the factory. After confirming that the packaging is in good condition, it can be sold.

| | | |
|--------------|----------------------|---------|
| Product name | Solid wood furniture | Quality |
| Pualified | Qualified product | QC 02 |
| Level | One level | |

| NO. | Part name | Parts drawing | Parts Size | Quantity |
|-----|------------------------------|---|----------------|----------|
| D | Hexagon wrench |  | M4 * 57MM | 1 |
| E | L-Shaped Laminating Brackets |  | Φ6 * 20 * 16MM | 8 |

Step 1

Step 2



Note: After unpacking, please check whether the product is complete.
 1. Assemble left foot No. 4 and right foot No. 5 together with seat frame 1 and bottom plate 3 according to the figure, and then turn supporting foot 6 clockwise and tighten it.

2. Install the layer support F on the foot post as shown in the figure, and then put the movable layer plate in the figure.

Step 3

3, the bottom of the foot column is installed with an adjustment pad, if the floor is not usually can be placed at the bottom of the adjustment pad to achieve balance.

