

# TV STAND

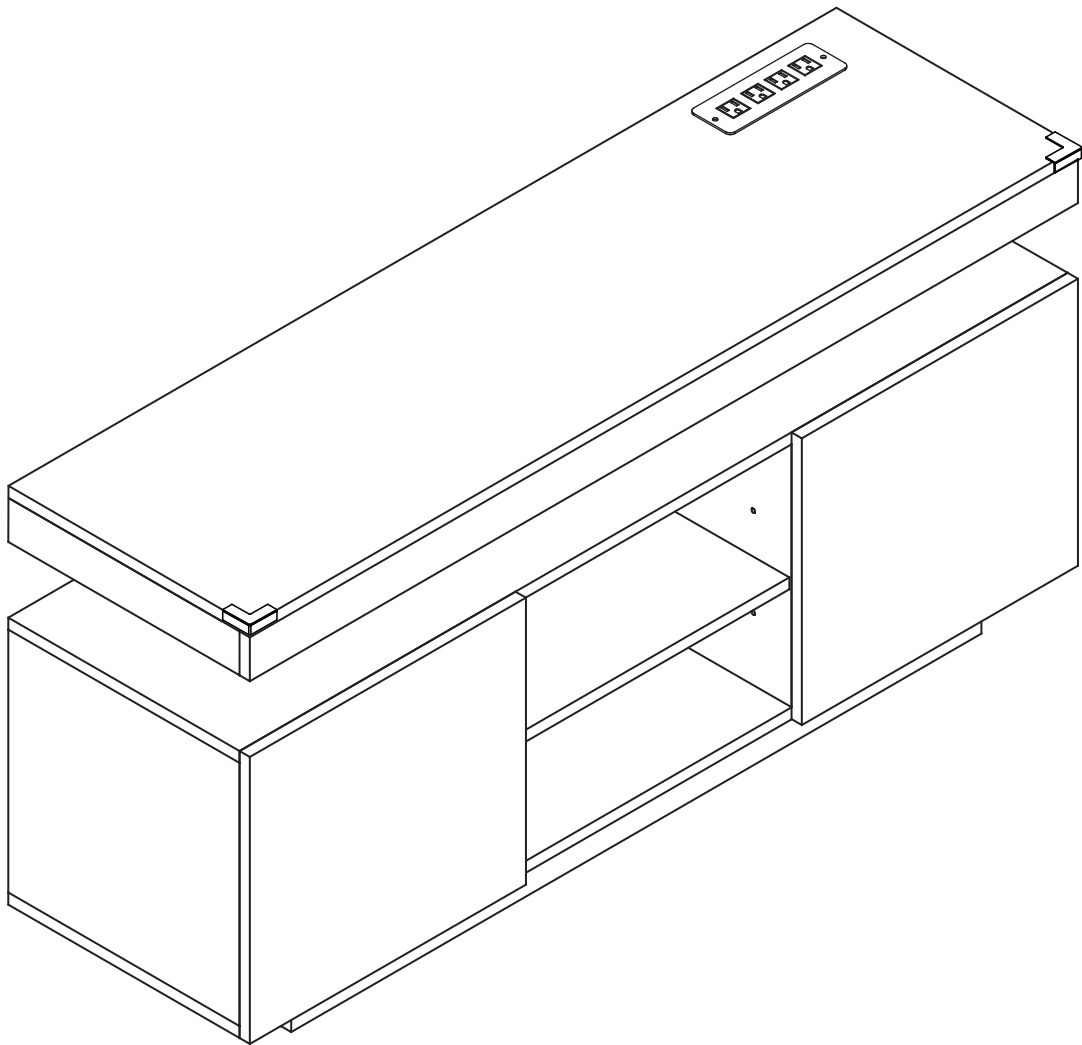
---

# USER MANUAL

1

## ASSEMBLY INSTRUCTIONS

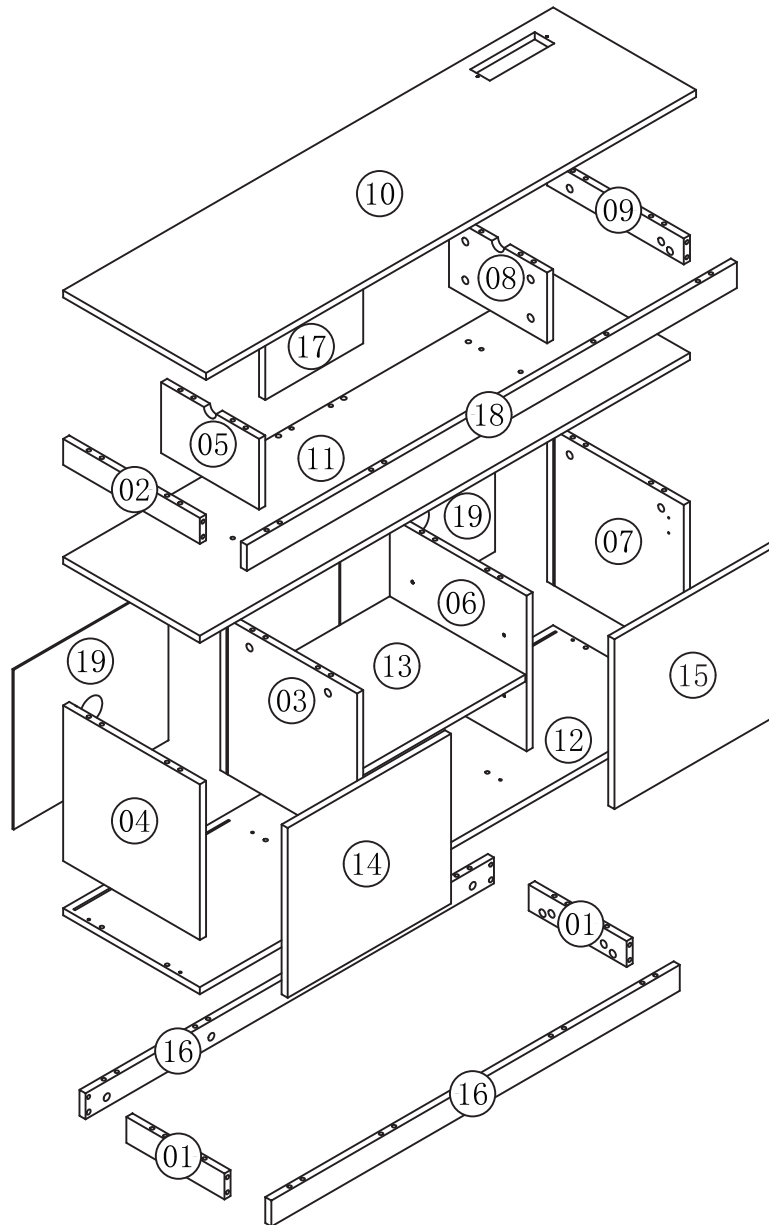
---



FOR BEST RESULTS, ASSEMBLY IS  
RECOMMENDED WITH TWO PEOPLE.

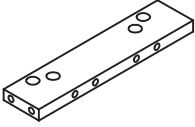
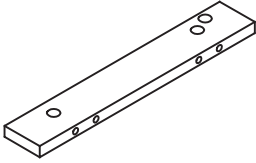
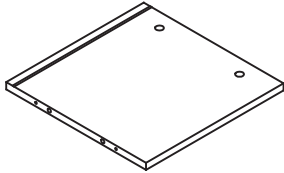
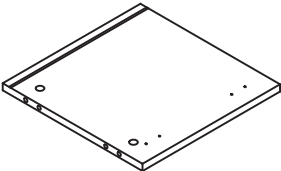
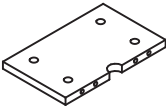
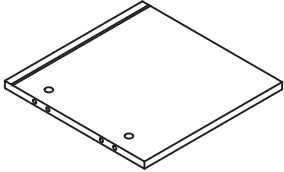
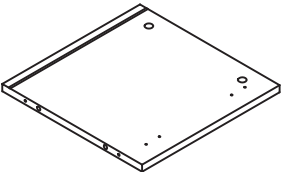
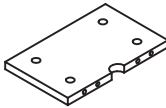
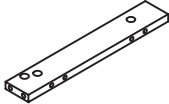
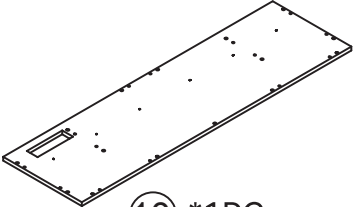
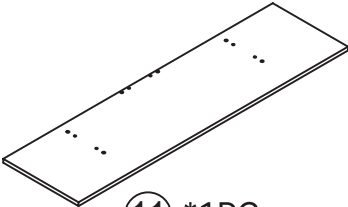
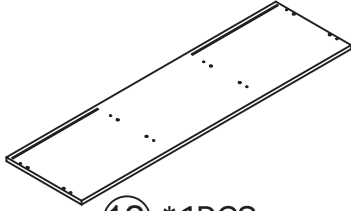
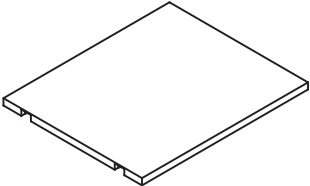
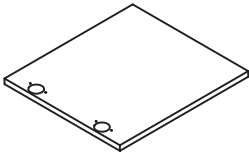
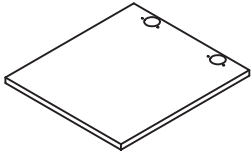
2

## BOARD IDENTIFICATION



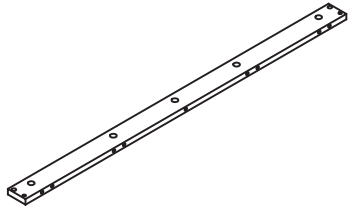
FOR BEST RESULTS, ASSEMBLY IS  
RECOMMENDED WITH TWO PEOPLE.

## PARTS LIST

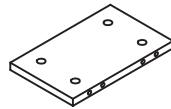
 <p>① *2PC</p>	 <p>② *1PC</p>	 <p>③ *1PC</p>
 <p>④ *1PC</p>	 <p>⑤ *1PC</p>	 <p>⑥ *1PC</p>
 <p>⑦ *1PC</p>	 <p>⑧ *1PC</p>	 <p>⑨ *1PC</p>
 <p>⑩ *1PC</p>	 <p>⑪ *1PC</p>	 <p>⑫ *1PCS</p>
 <p>⑬ *1PCS</p>	 <p>⑭ *1PC</p>	 <p>⑮ *1PC</p>

4

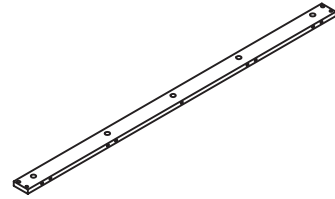
# PARTS LIST



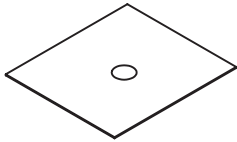
①⑥ \*2PC



①⑦ \*1PC

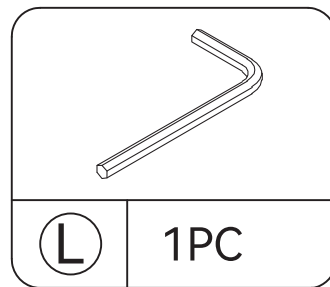
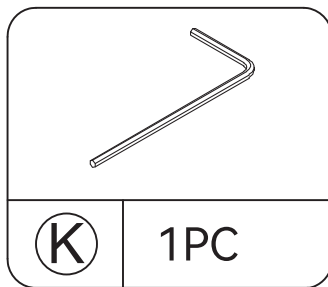
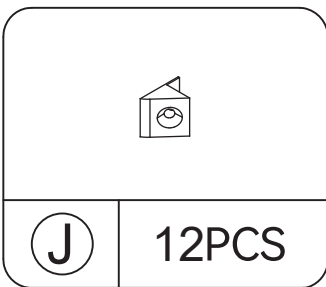
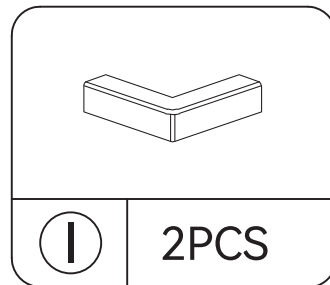
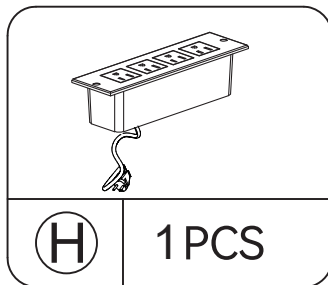
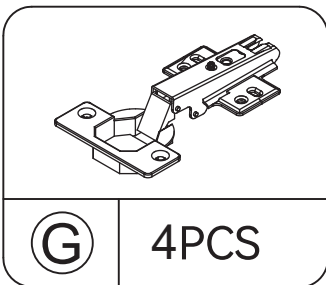
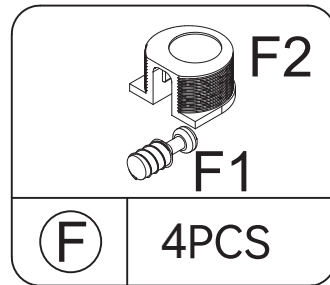
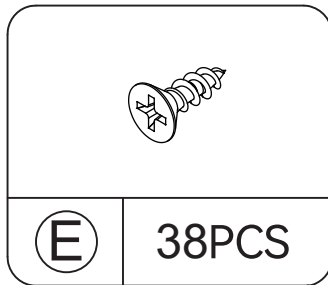
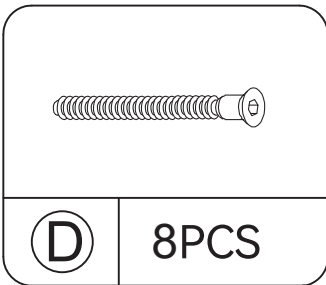
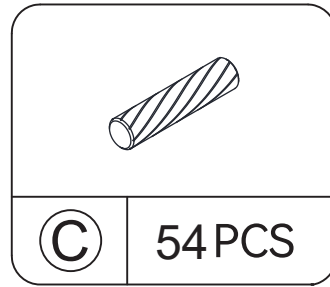
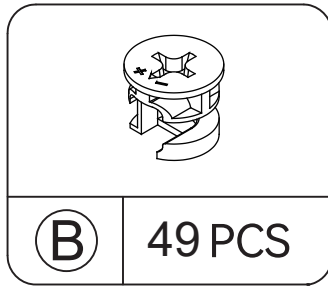
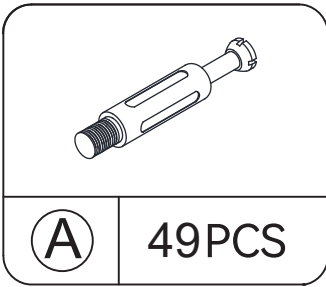


①⑧ \*1PC

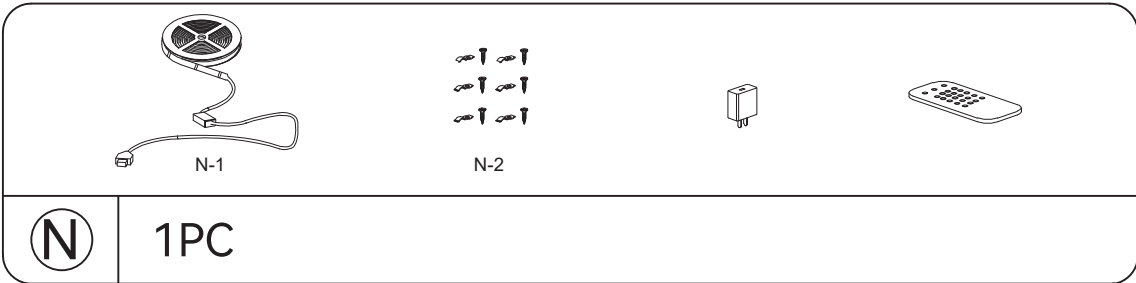
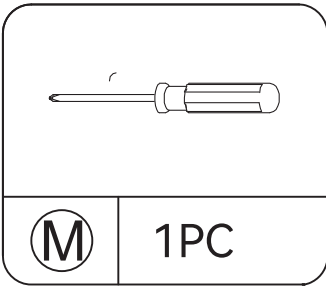


①⑨ \*2PC

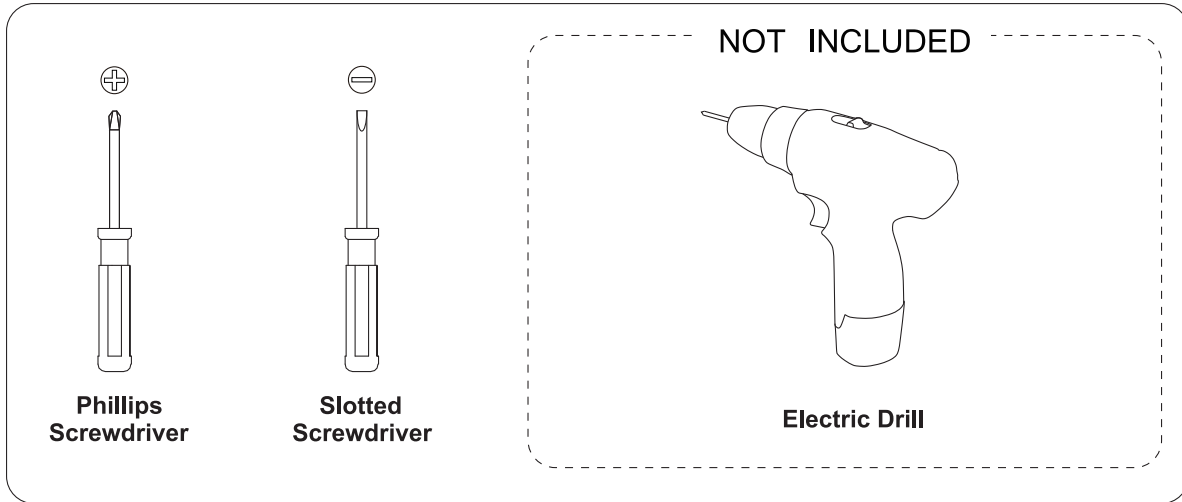
5



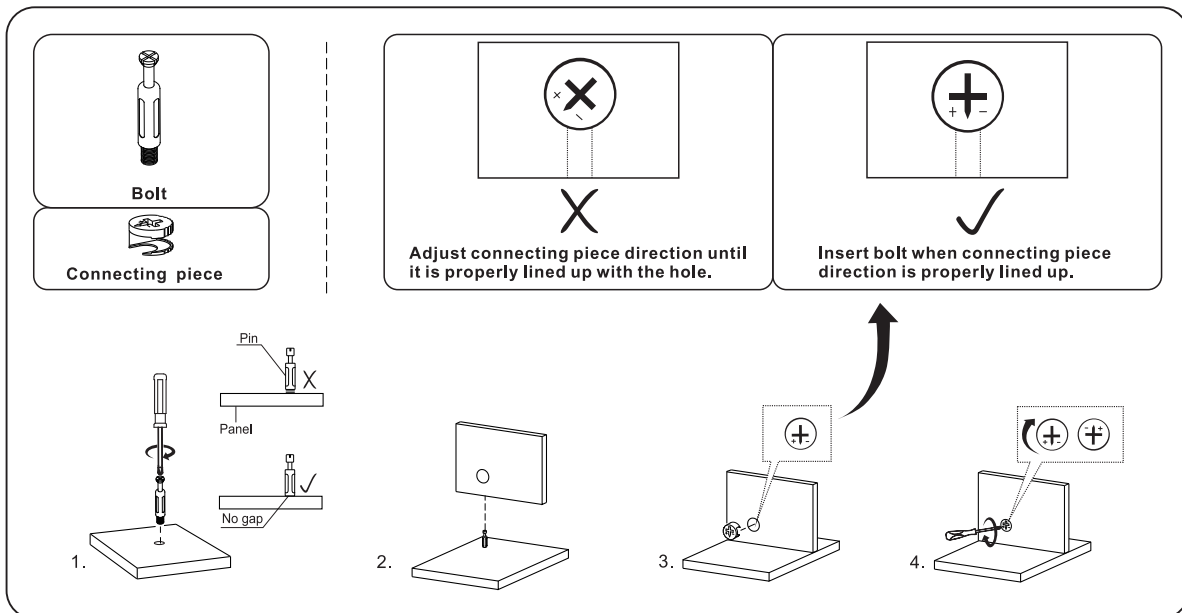
6



## TOOL REQUIRED



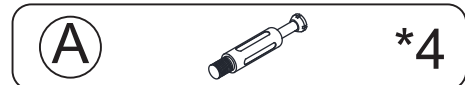
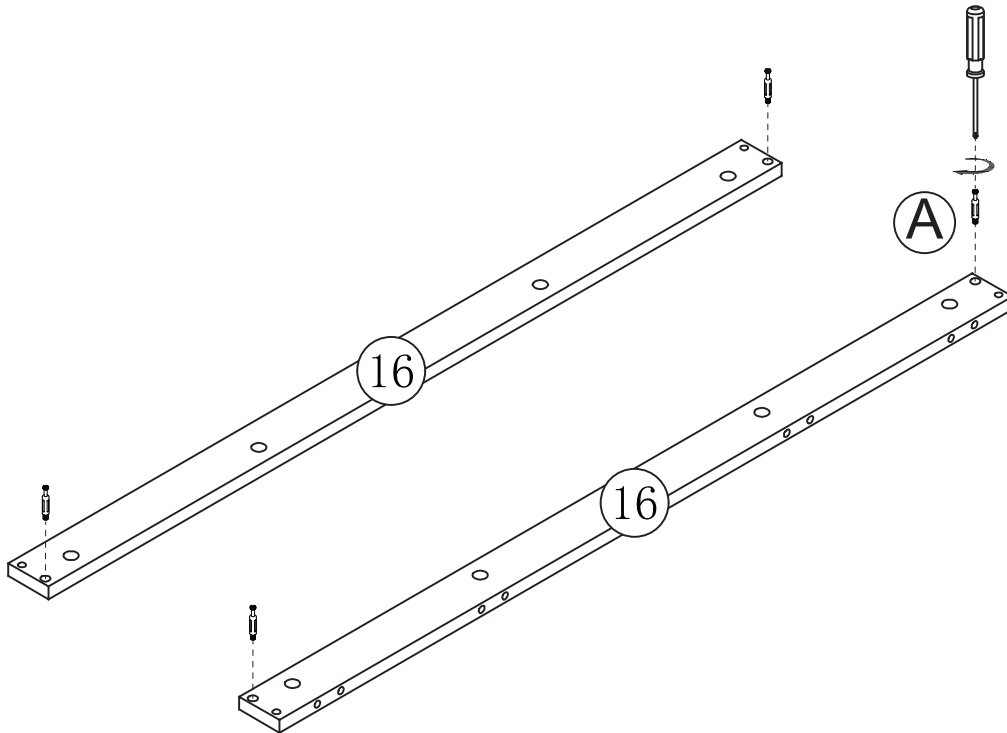
## INTRODUCTION



8

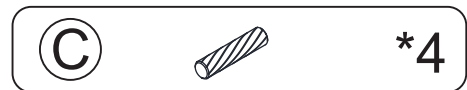
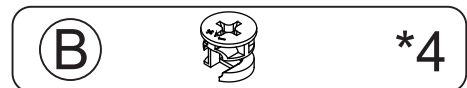
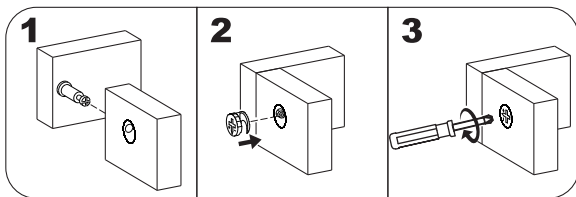
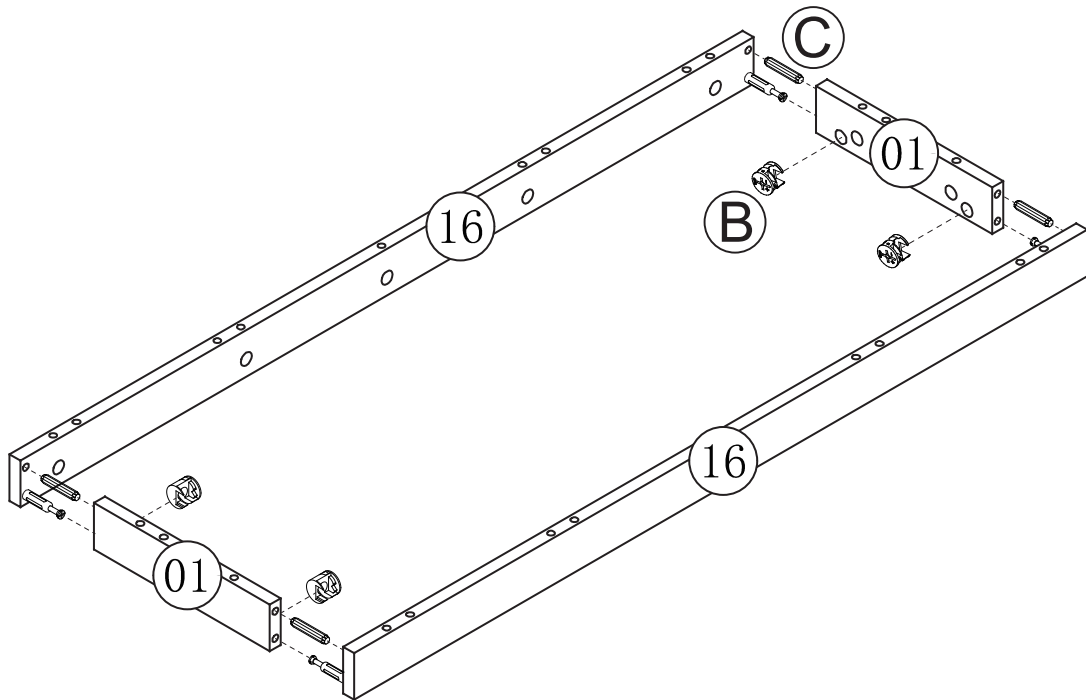
## STEP 1

MAKE SURE THE ASSEMBLY IS DONE ON A LEVEL AND SOFT SURFACE  
(SUCH AS BLANKETS),  
TO PREVENT DAMAGING THE PARTS DURING ASSEMBLY.



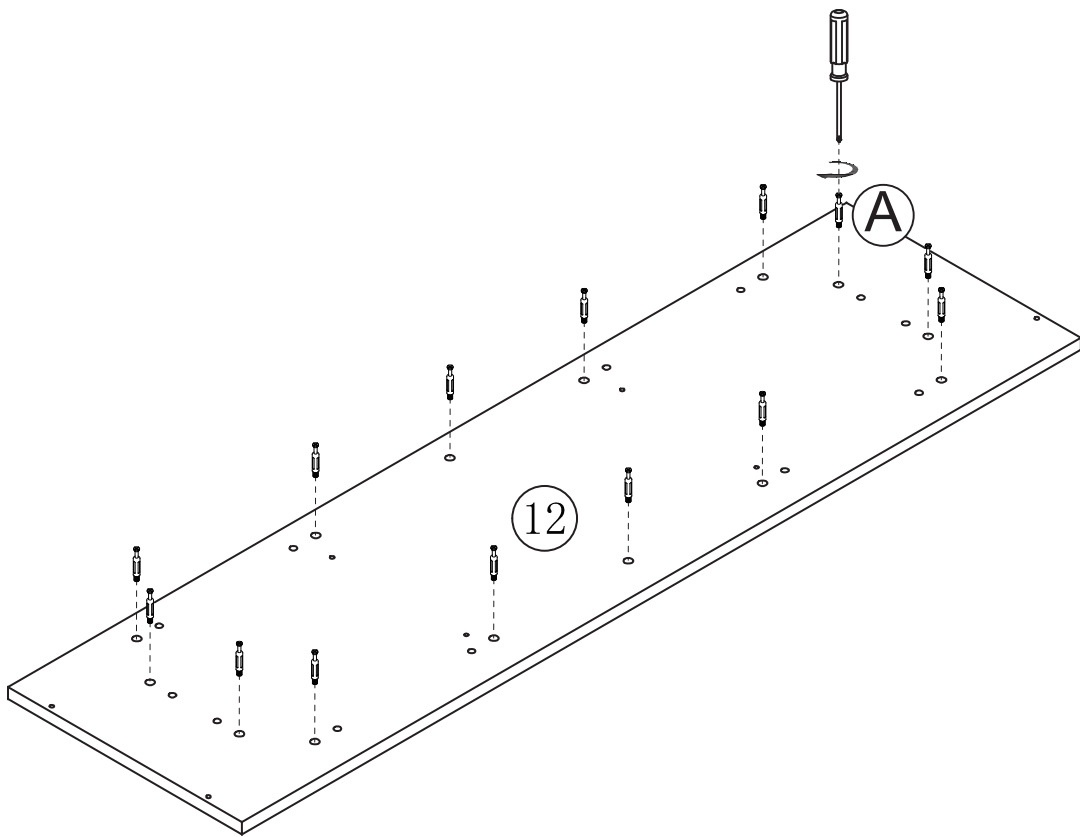
9


# STEP 2



10

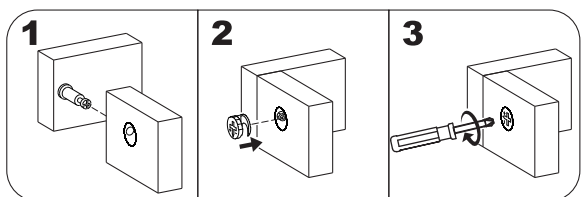
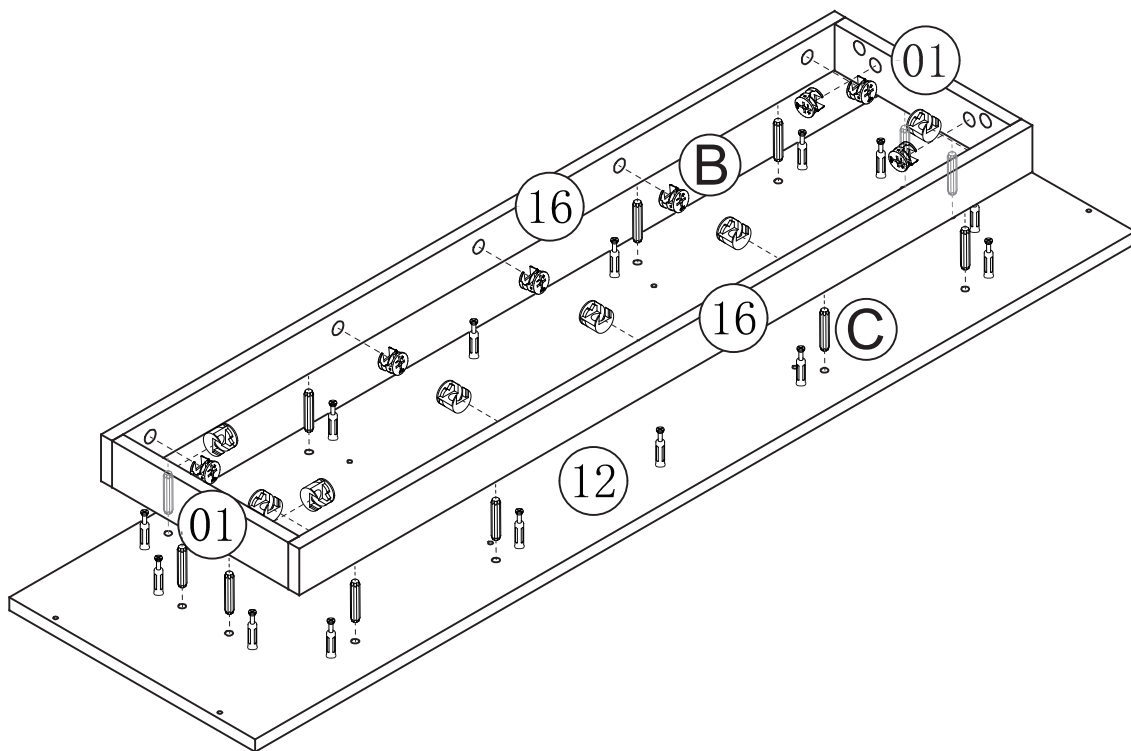
# STEP 3





(A)  \*14

11

# STEP 4

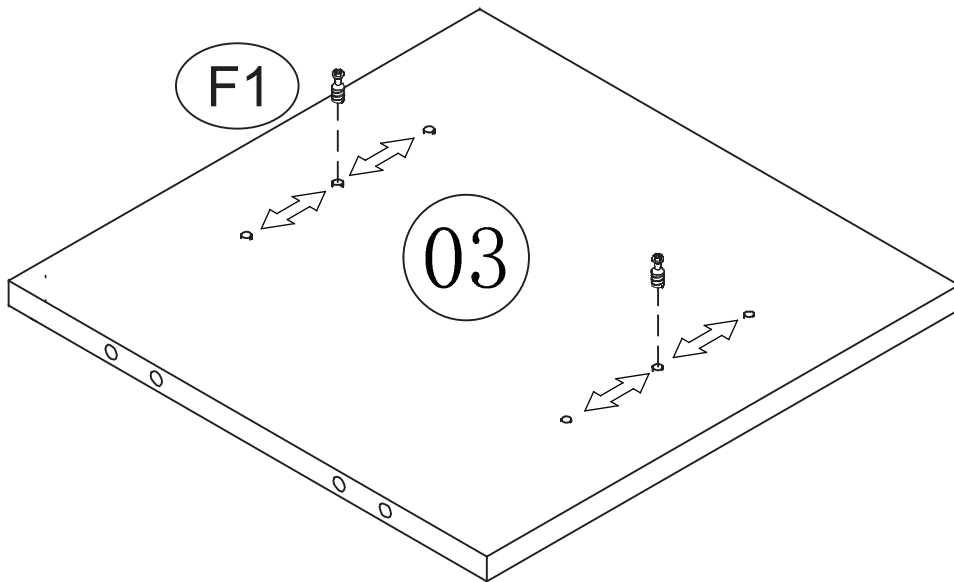
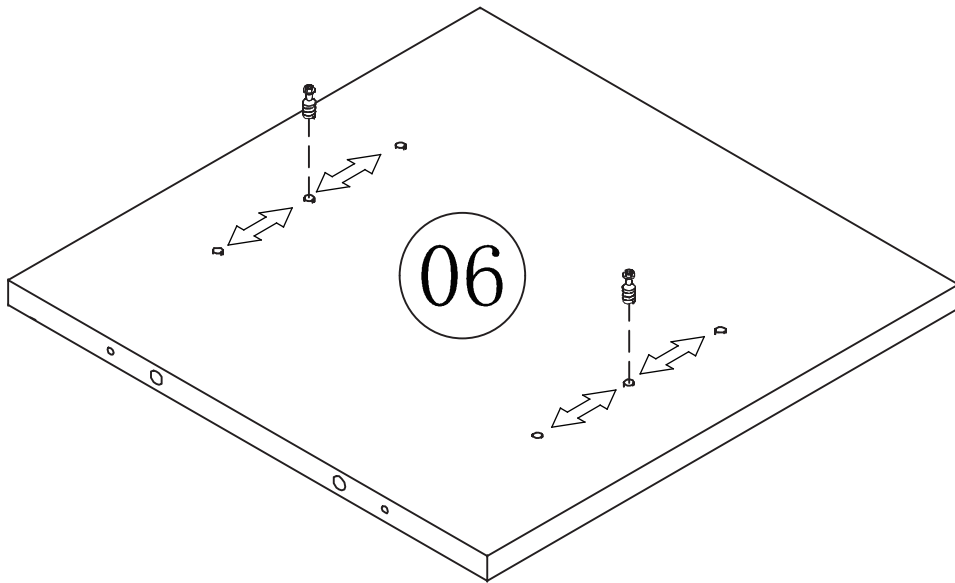



(B)  \*14

(C)  \*12

12

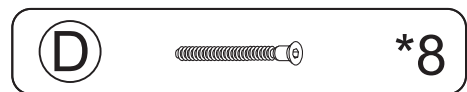
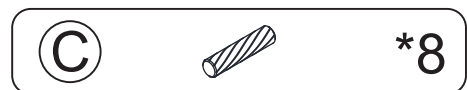
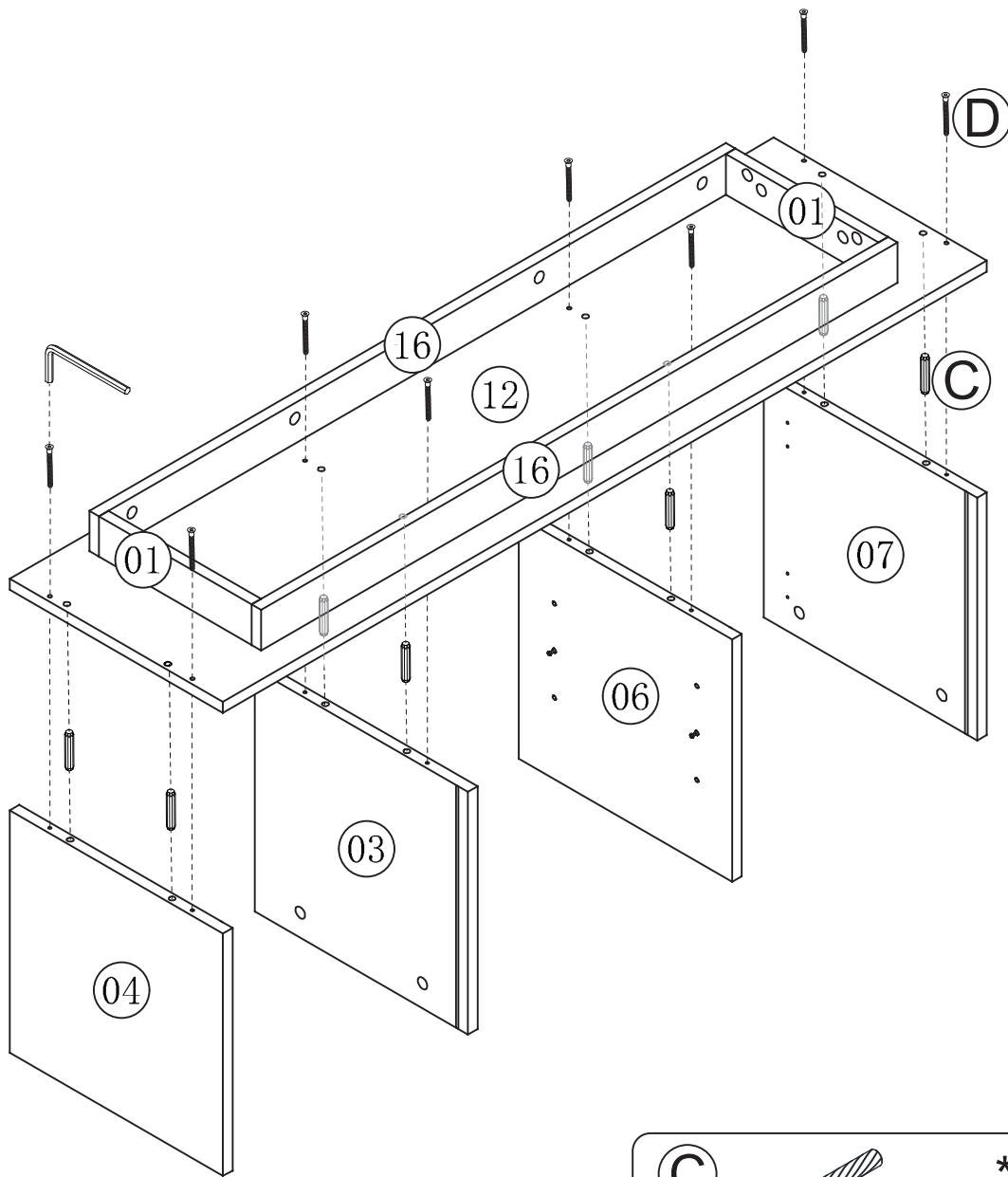
# STEP 5



(F1)  \*4

13

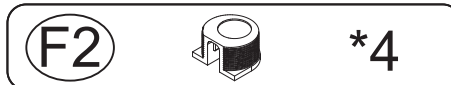
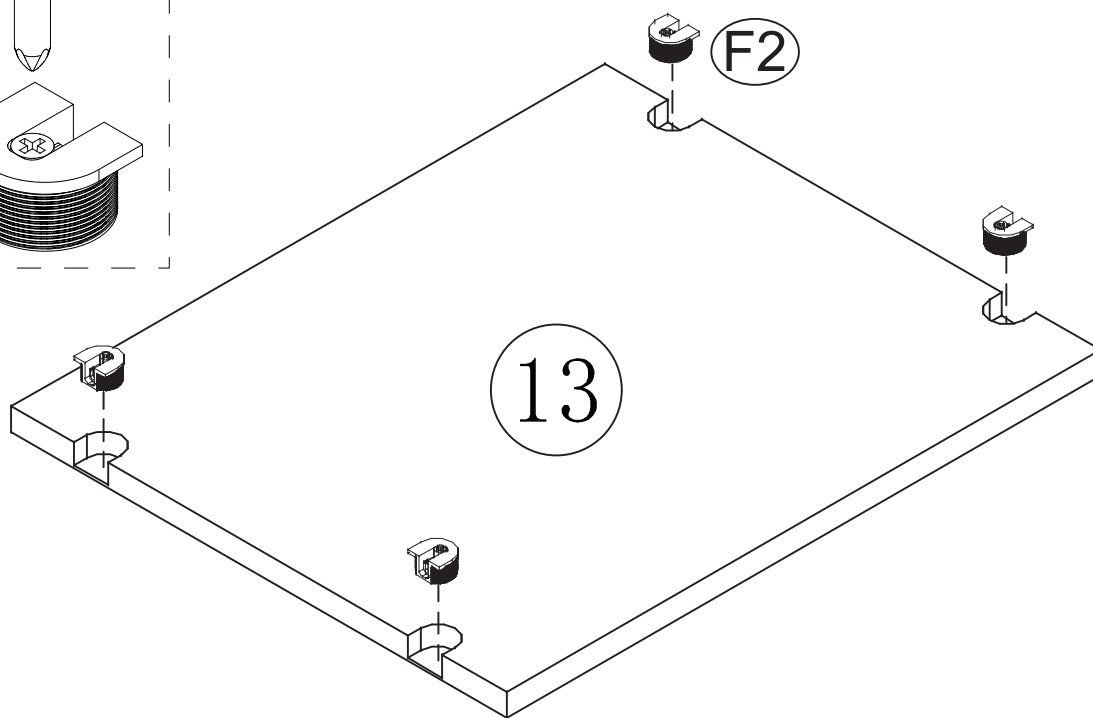
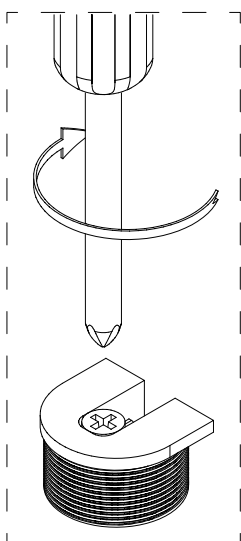
# STEP 6



14

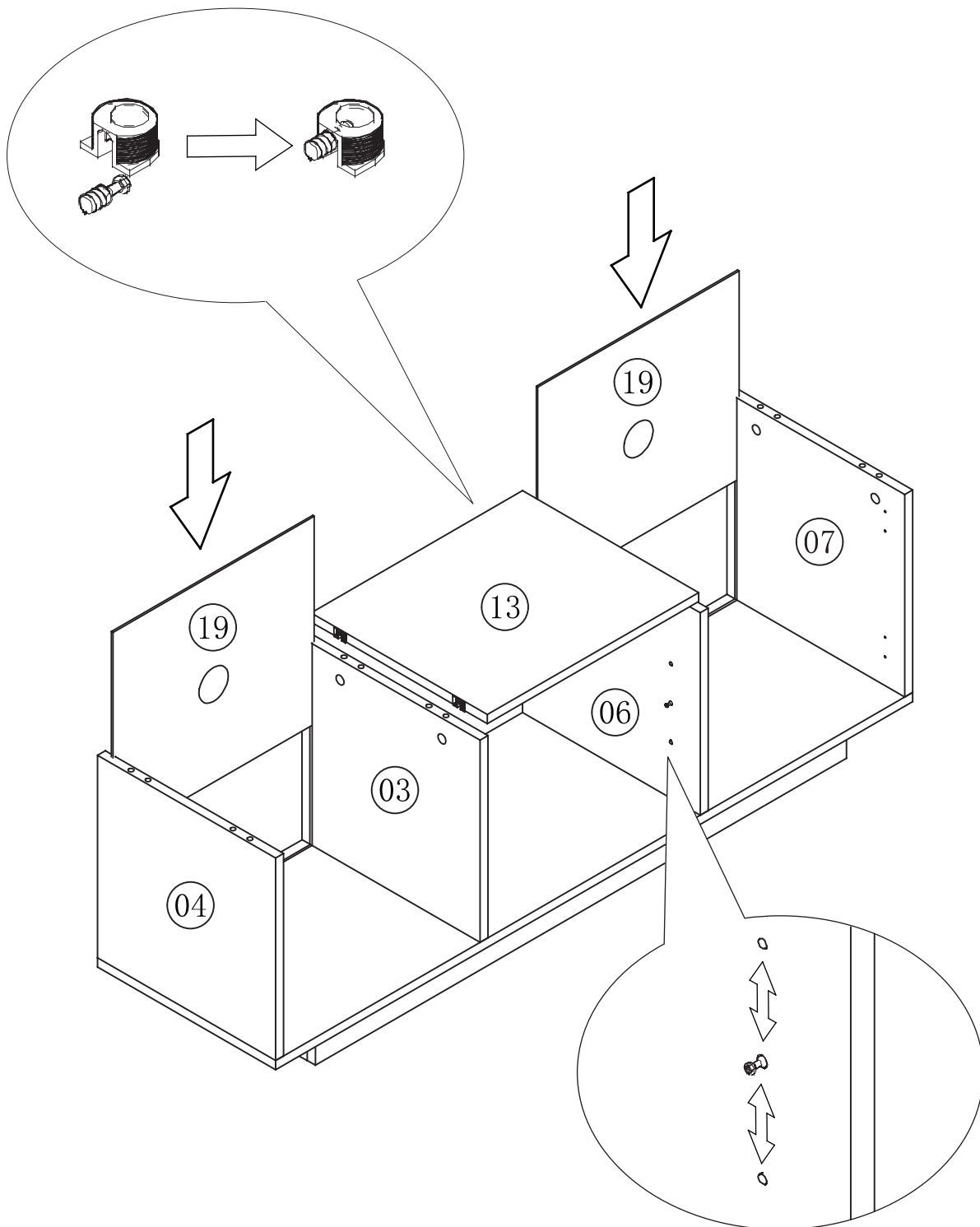
## STEP 7

Adjust to ensure normal installation



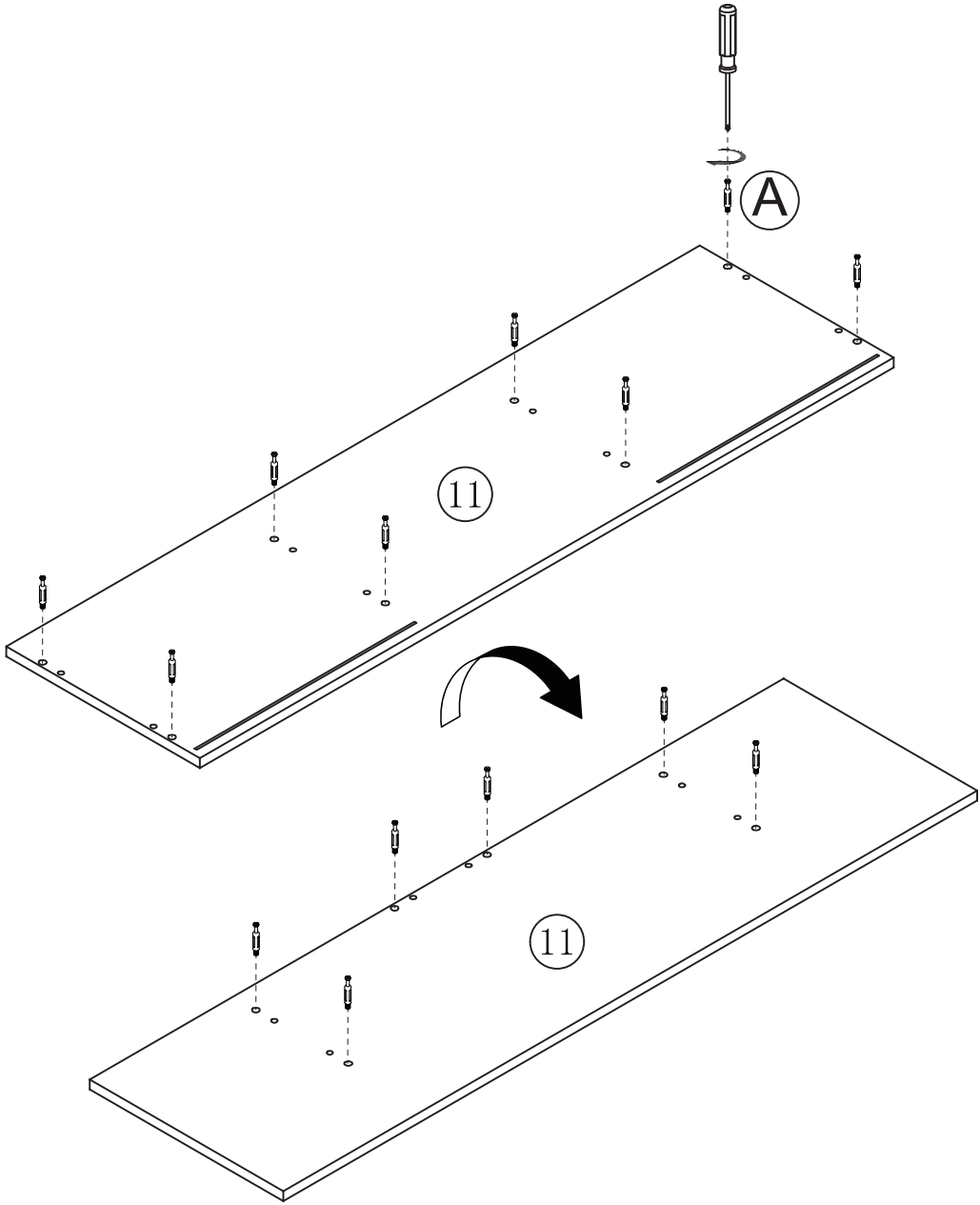
15

# STEP 8



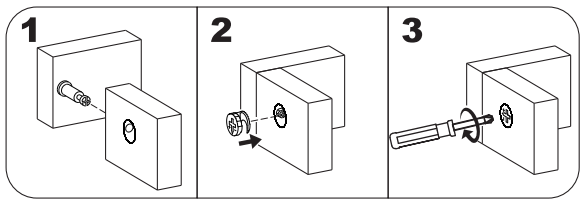
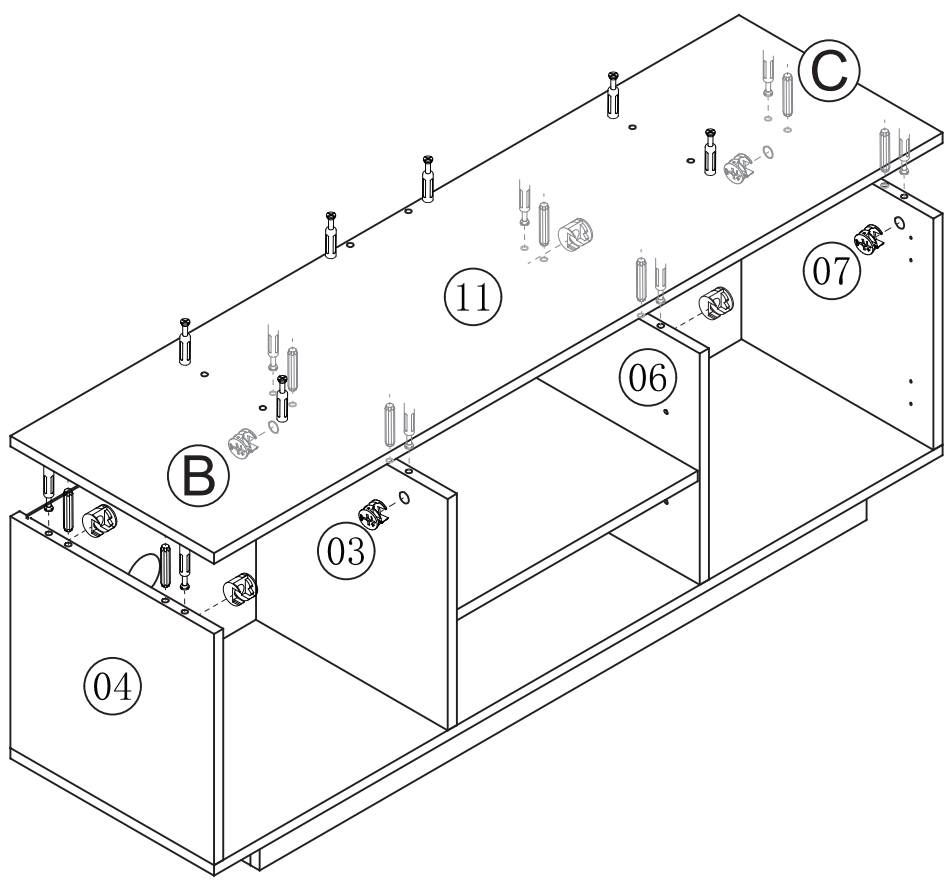
16


STEP 9




(A) \*14

# STEP 10

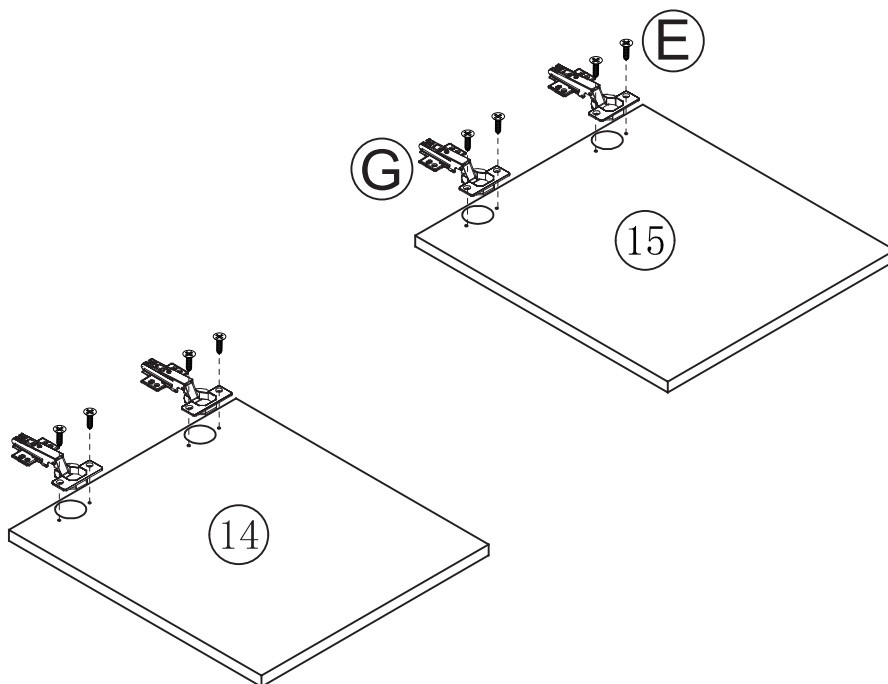



(B)  \*8


(C)  \*8

# STEP 11

Tips: Please assemble on a flat ground. It is recommended to drill half of the positioning holes as shown in the figure, and then fully drive in, To ensure that the board is flat.

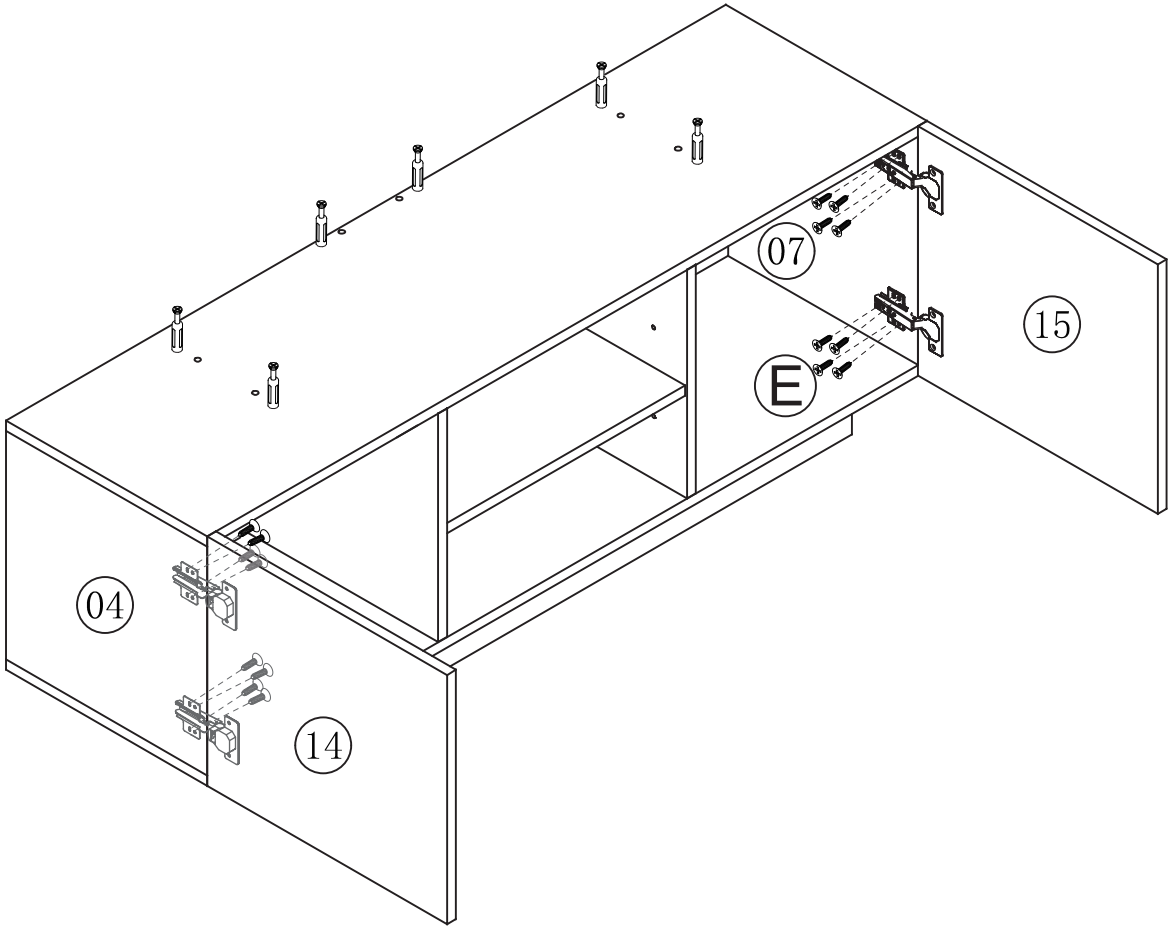



(E)		*8
-----	---	----

(G)		*4
-----	---	----

19

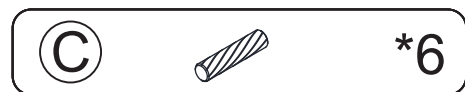
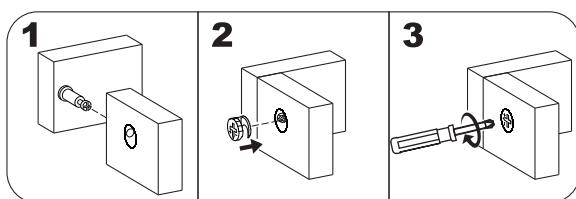
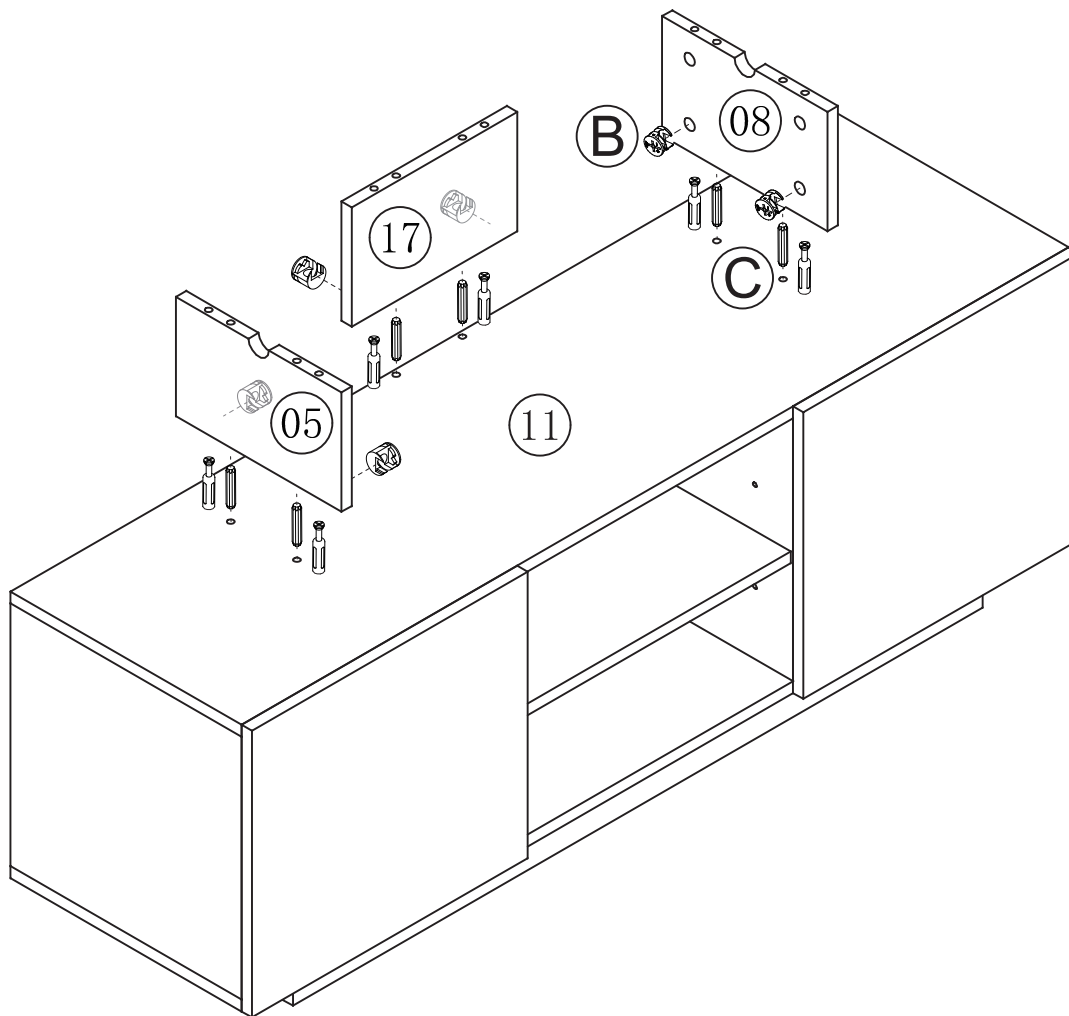
# STEP 12



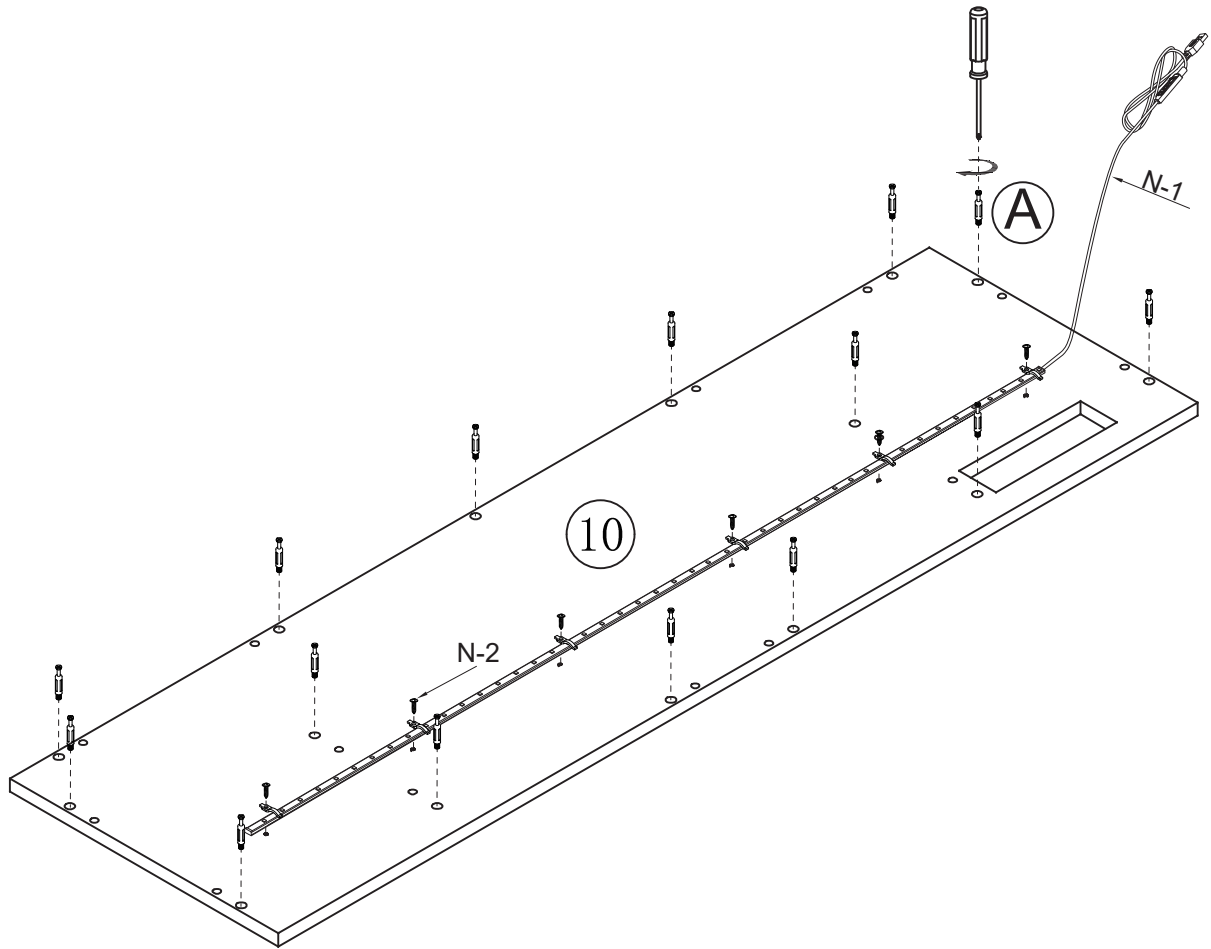
(E)  \*16

# STEP 13

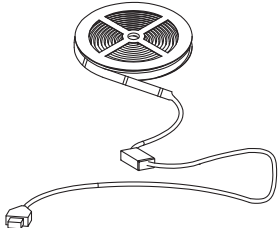

PLEASE LIFT AND MOVE ACCORDING TO THE METHOD ILLUSTRATED IN THE PICTURE.



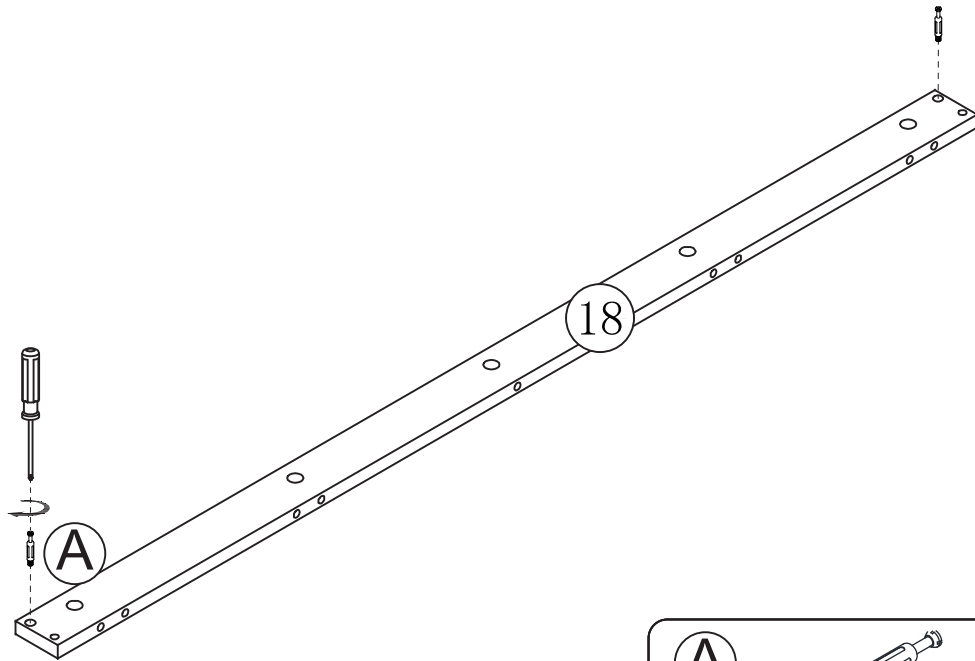
# STEP 14




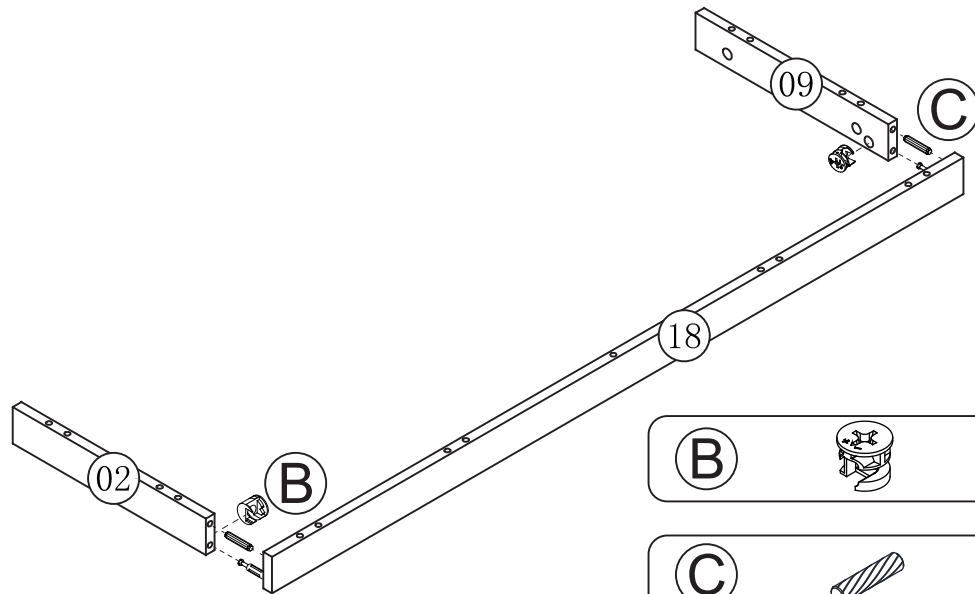
(A)  \*15


 <p>N-1</p>	 <p>N-2</p>
--	--


# STEP 15



(A)  \*2

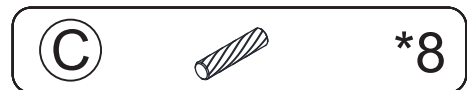
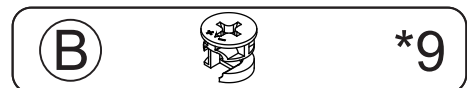
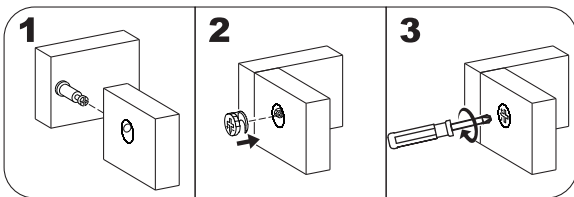
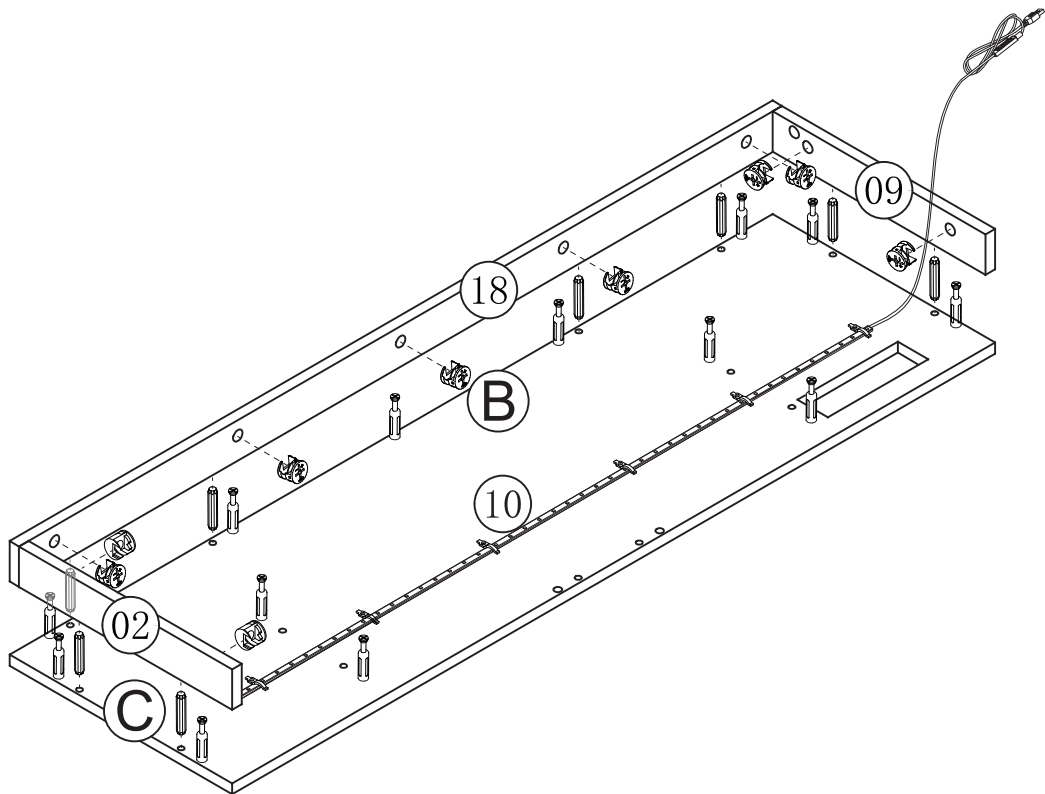


(B)  \*2

(C)  \*2

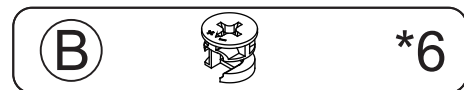
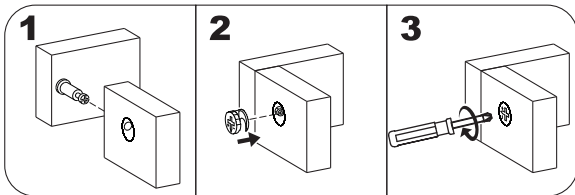
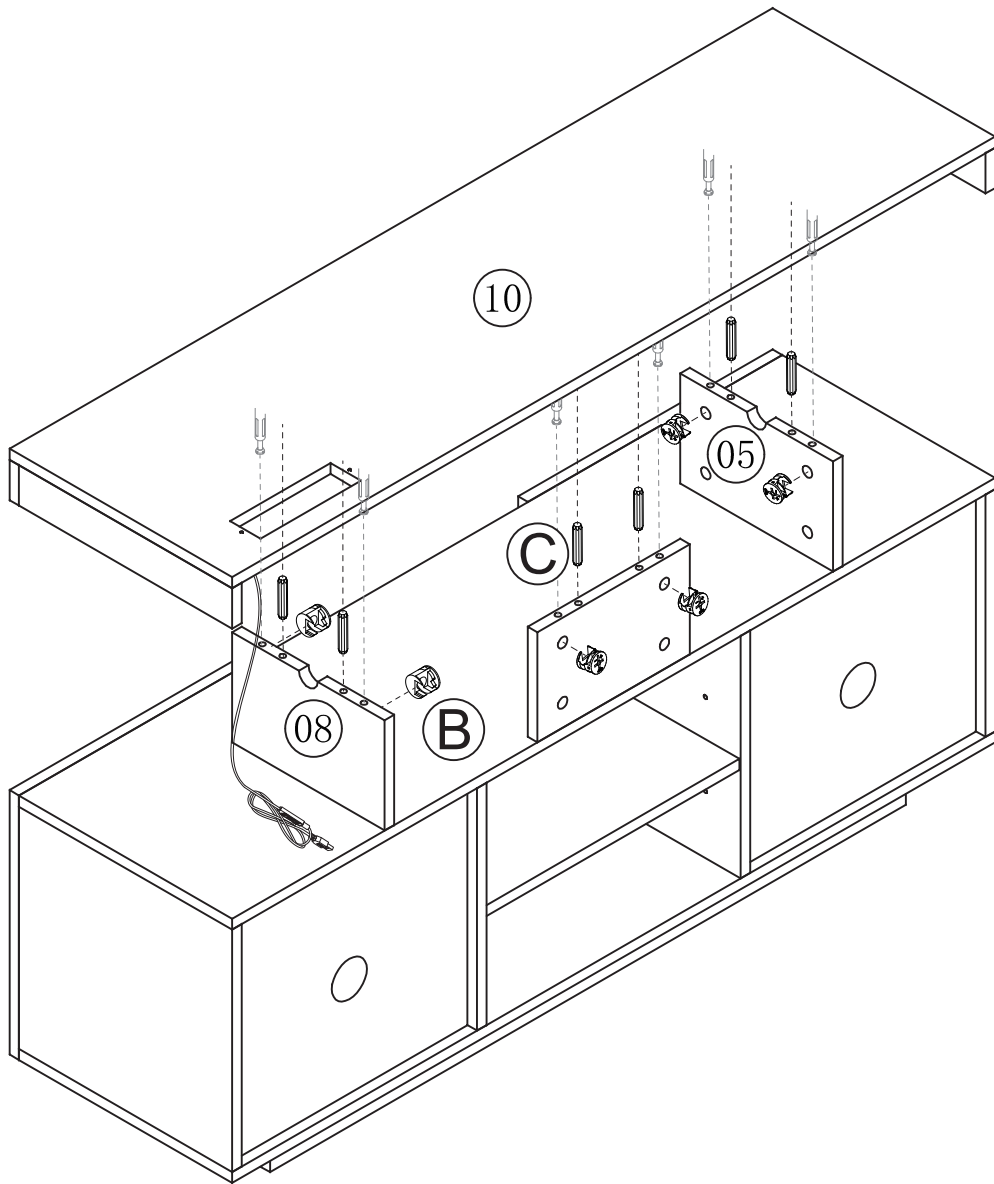
23

# STEP 16



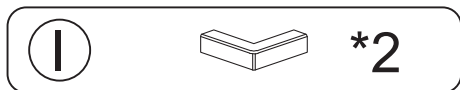
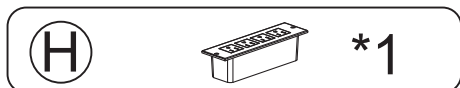
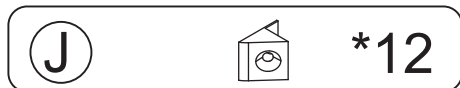
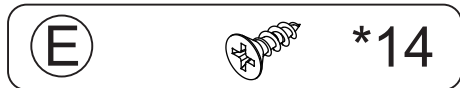
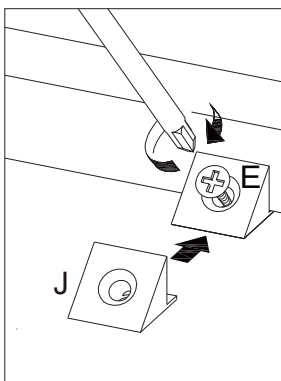
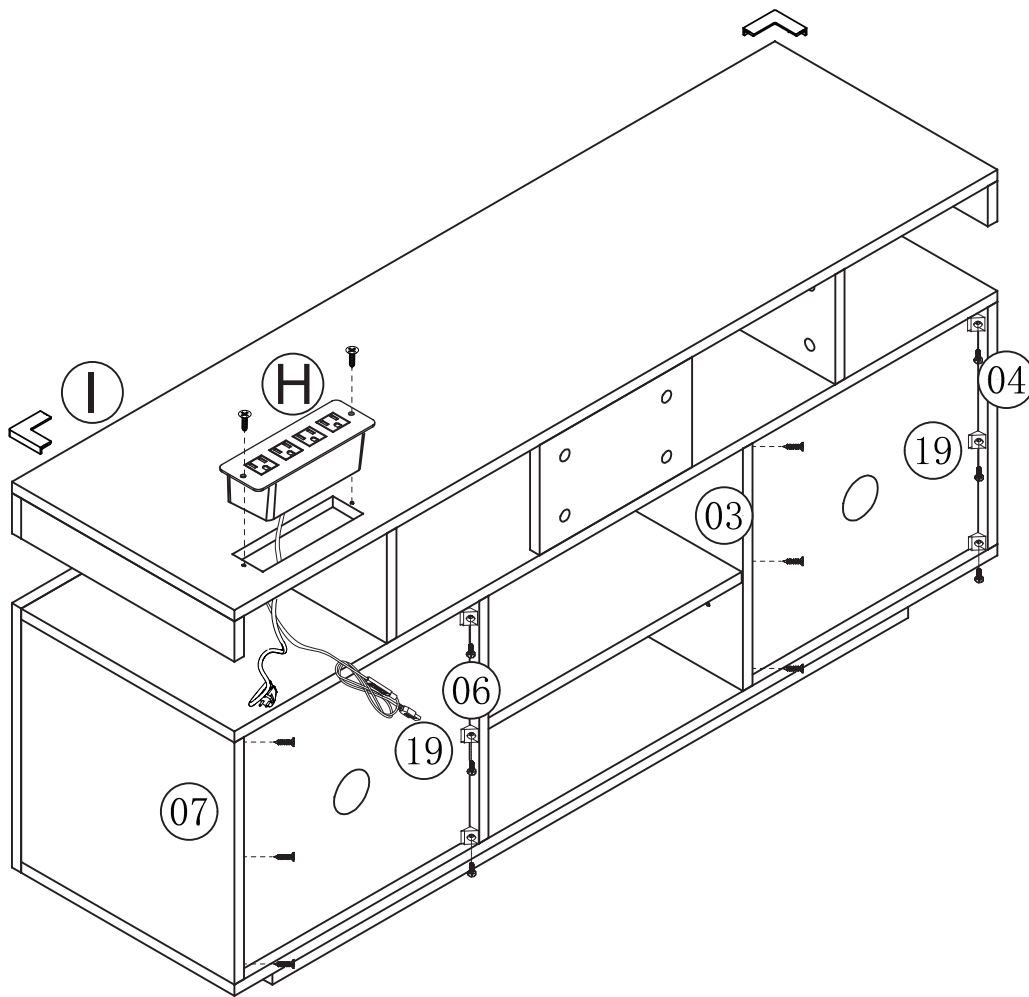
24

# STEP 17



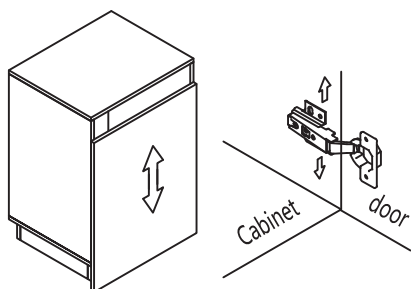
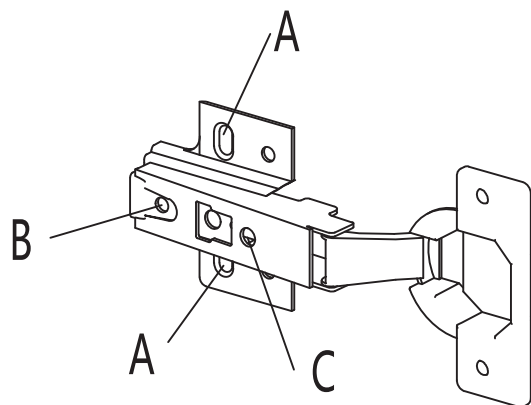
25

# STEP 18



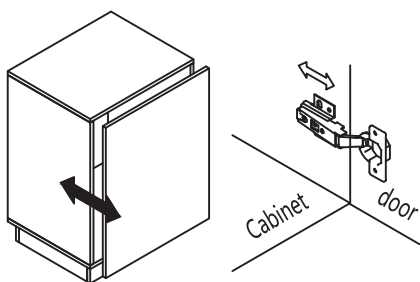
## STEP 19

**IMPORTANT**—The furniture **MUST** be level on a flat, solid floor surface for the doors to work properly. Align the doors as shown for proper operation.



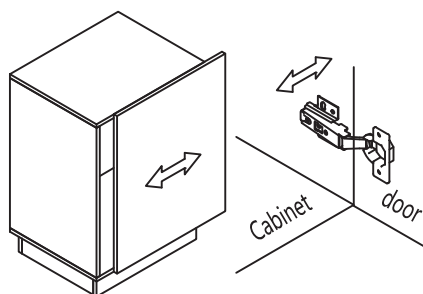
To adjust the vertical height.

Loosen the four screws "A" on both hinges. Two of them are usually in slotted holes which allows you to adjust up or down by a few mm. Then tighten back up.



To adjust depth.

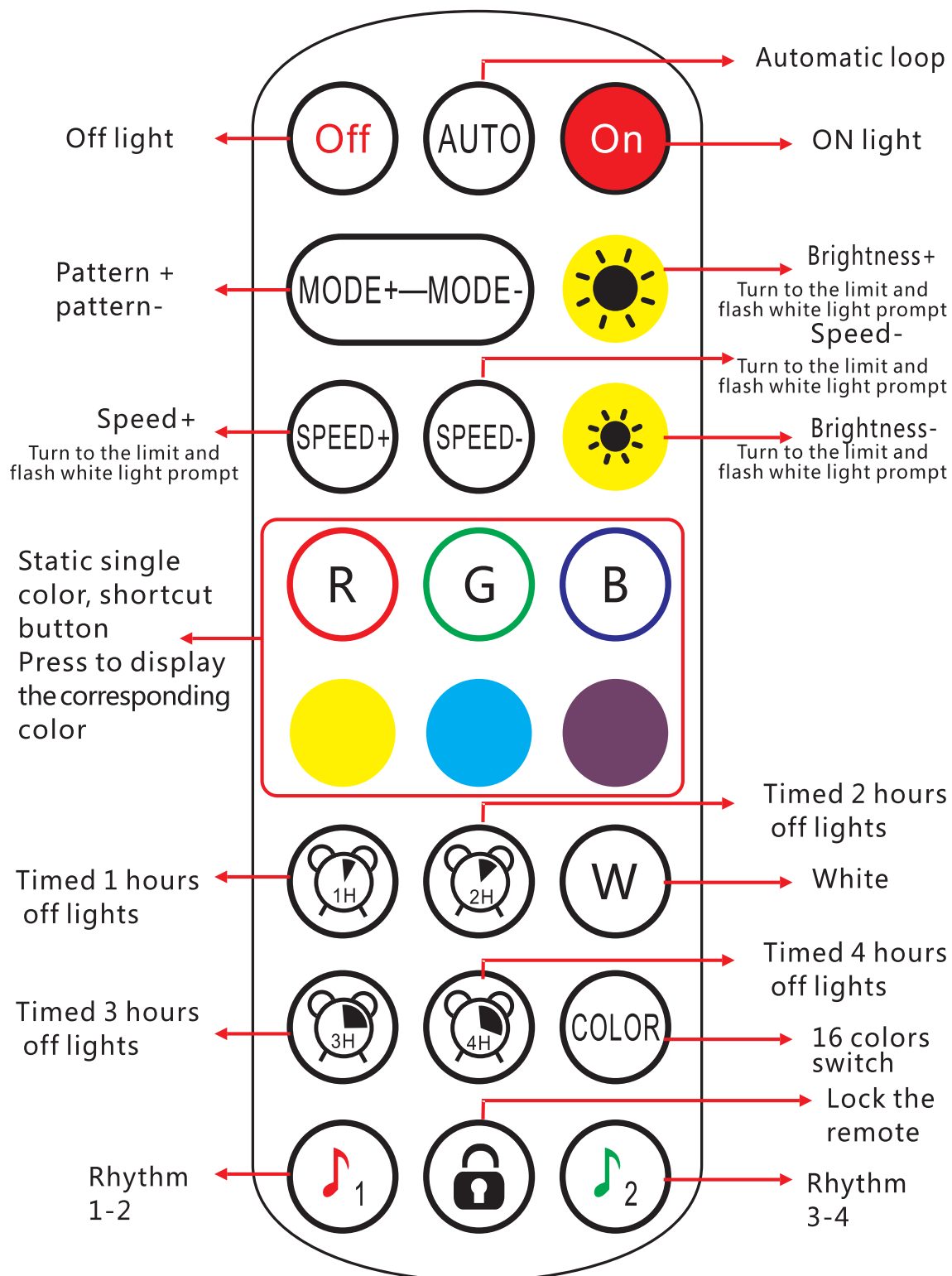
Loosen screw "B" and adjust door, if the door can not be adjusted, please loosen screw "C", then try again. Tighten screw "B" and "C".



To adjust side ways.

Turning the screw "C" on BOTH hinges on each door.

# LED2022-24KEY



Rhythm 1-2: Single click to switch to 1-2 rhythm mode  
 Rhythm 3-4: Click to cycle through the 3-4 rhythm mode  
 Remote control lock: After pressing, the remote control is locked, pressing the switch is available, other keys are invalid. After pressing once, the unlock button can be used. After the remote control is locked, press the switch to unlock the remote control.

# Lantern APP Manual

## 1. Software Overview

### 1.1 Overview

LotusLantern is a mobile APP to control LED strip by both IOS and Android phones.

The traditional control ways like infrared, 433MHz, 2.4GHz and others old wired ways will be replaced by mobile phone control way with convenient, powerful and scalable features.

Through this mobile APP , you can not only control the color, brightness and color temperature of the LED strips but also set up all kinds of fancy flash mode ; Also this APP can change the light of the LED strip according to the rhythm of the music. This APP can set and control several LED strips through Bluetooth and the operation is very simple, easy to learn and easy to use.

### 1.2 Features

- Adjust color LED strips with 60,000 colors to change color and brightness and adjust monochrome LED strips to change brightness and color temperature
- Play music or turn on a sound playback device, you can let the light change the color and brightness with the rhythm of music, the music rhythm beautiful
- Inside multiple setting mode for color change and control LED strips without mobile
- Long distance control with omni-directional antenna, and many-to-many group control mode
- Once the connection is successful, connect automatically next time

### 1.3 Performance

LotusLantern APP is easy for use as well as great compatible with all kinds of smart phones; After the actual test of hundreds of mobile phones verification, the compatibility is above 95% of mobile phones in the market. APP is small and convenient, it consumes less system resources, so the requirements of the mobile configuration are low. Control delay is small, the operation feels good, light control is smooth with people's visual sense.

## 2. Operating Environment

This APP program requires phones of system above Android 4.3 and iOS 8.0. Mobile phone configuration is not limited.

## 3. Instructions

Note: Android version and iOS version download and use the same method, here in the Android version as an example.

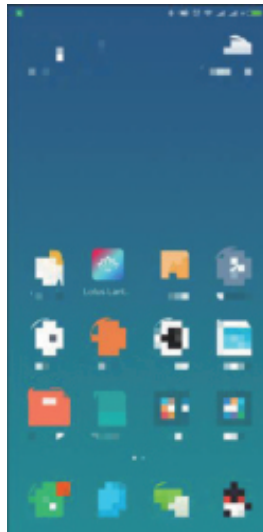
### 3.1 APP Download

Scan the QR code

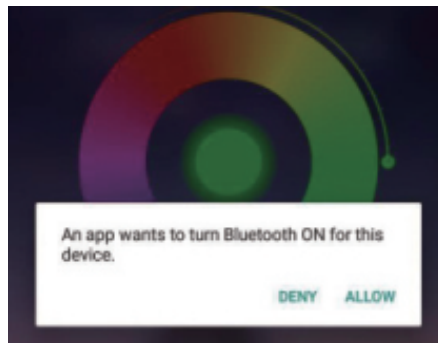
iOS and Android systems can download the "LotusLantern" APP by scanning the QR code. Open the browser or other tools with "Scan QR code" function, scan the "LotusLantern" QR code as below:

### 3.2 App Operation

(1) Click on the LotusLantern APP icon, enter the APP page:



(2) After entering the APP interface, if Bluetooth is not enabled, "an application wants to enable the Bluetooth function of this device." Click [Allow]



(3) switch to color and brightness interface:

Click to show the lamp list

Switch the color wheel

Display the RGB value  
Click to manual adjustment view

Click to display setting view

Lamp switch button

Adjust the color

Click square icon to adjust the color

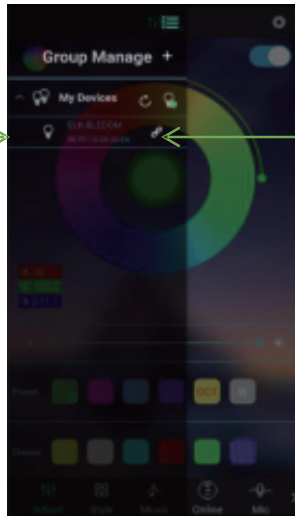
Click to shift the interface

# 30

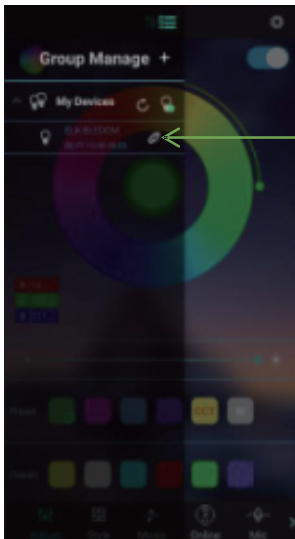
( 4 ) click to show the lamp list, view lamp list:

Bluetooth auto connect  
after search for devices

Lamp list



Status of device connection



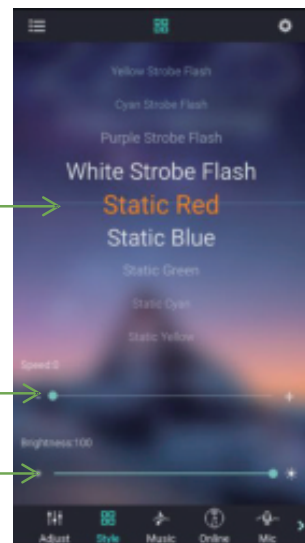
Status of device connection

( 5 ) Click to RGB manual adjustment view:



( 6 ) switch to the mode interface:

Scroll the selection mode

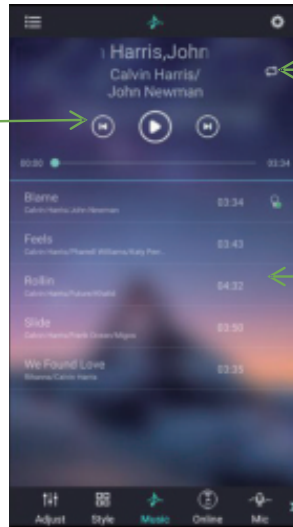


Adjust speed

Adjust brightness

( 7 ) switch to the music rhythm interface:

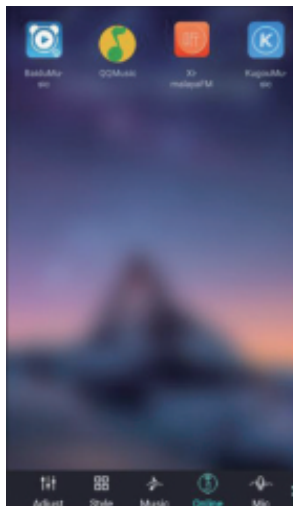
Previous song, Pause/Play,  
Next song



Play mode

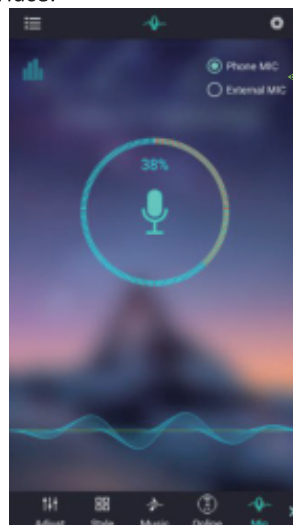
Music List

( 8 ) Switch to the online music interface:



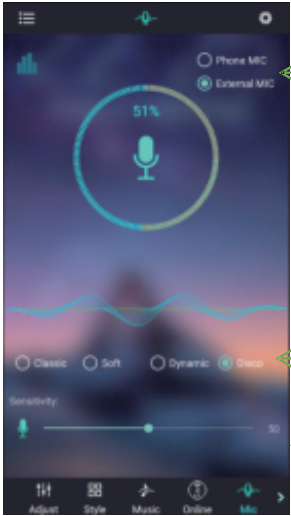
( 9 ) Switch to the microphone rhythm interface:

Music rhythm through cell  
phone microphone



Switch phone microphone  
and external microphone

Music rhythm through the microphone on the product



Switch phone microphone and external microphone

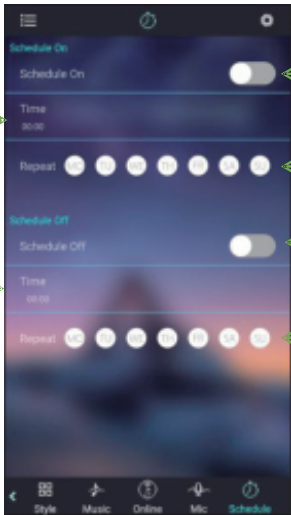
4-style rhythm

Change the sensitivity of MIC to match the sound

( 10 ) Switch to the schedule interface:

Set the time of Light-On

Set the time of Light-Off



Enable or disable the Light-On function

Repeat setting  
No selection for once Light-On

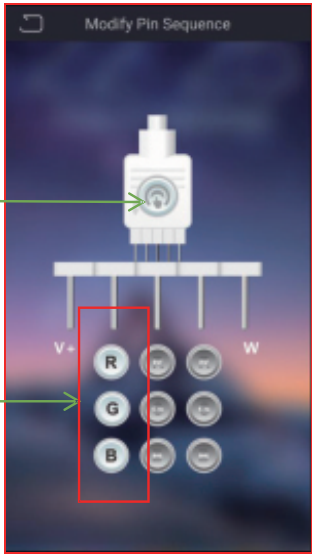
Enable or disable the Light-Off function

Repeat setting  
No selection for once Light-Off

( 11 ) Switch to the modify pin sequence interface:

Click to save the new assignment

Change the real color of this line



## Troubleshooting

Fault conditions	Possible causes	Exclusion method
The product shakes	<ol style="list-style-type: none"><li>1. Screw installation error</li><li>2. The screw is damaged</li><li>3. Check that the screws are not tightened in place</li></ol>	<ol style="list-style-type: none"><li>1. Install the correct screws in the correct position according to the instructions</li><li>2. Replace and use the supplied spare screws</li><li>3. Tighten the loose screws</li></ol>
The light strip does not work	<ol style="list-style-type: none"><li>1. The small gasket of the remote control is not pulled out</li><li>2. The adapter fails to receive the signal due to the obstruction or distance</li></ol>	<ol style="list-style-type: none"><li>1. Pull out the small gasket of the remote control</li><li>2. Align the remote control with the receiving port (within 15 meters)</li></ol>