

### CAUTION: Maintenance

1. Replacement parts may be available at the store where you purchased your faucet.
2. Always turn off water and relieve pressure before working on your faucet.

### NOTES: Cleaning Instructions

1. To keep the faucet clean, you should clean the faucet frequently and regularly.
2. Clean the faucet with clear water or mild liquid, rinse the faucet with clear water and then dry the faucet with soft cotton cloths.
3. Do not use any abrasive cleansers, cloths, or paper towel.
4. Do not use any acid or abrasive detergent.

### TROUBLE-SHOOTING

If you've followed the instruction carefully and your faucet still does not work properly, take these corrective steps.

| Problem  | Cause                                      | Action  |
|--|--|---|
| Leaks underneath handle.                                 | Cartridge has come loose.                  | Tighten the cartridge.  |
| Aerator leaks or has an inconsistent water flow pattern. | Aerator is dirty or worn out or misfitted. | Unscrew the aerator to clean or replace washer, or replace the aerator.                                   |
| Water will not shut off completely.                      | Dirty or worn out washer in cartridge.     | Remove handle and cartridge to check if the washer is damaged permanently or dirty. Re-install cartridge. |

# AKICON®

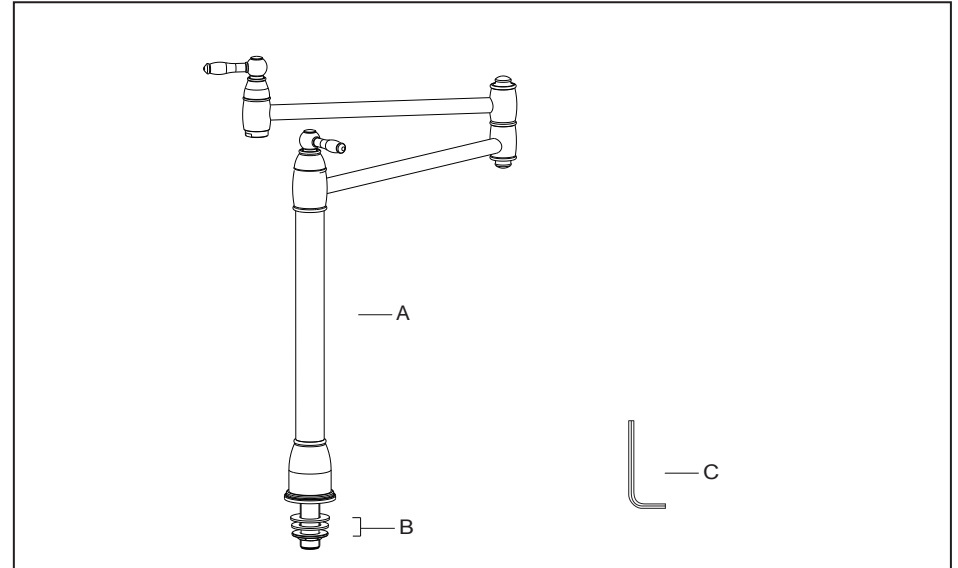
## Pot Filler Faucet

Model: 98188

### PACKING LIST

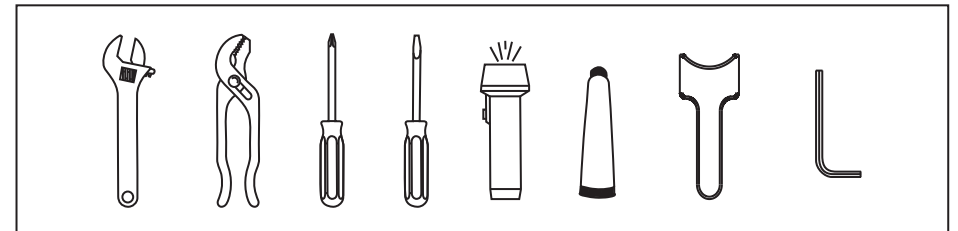
After you open this package, please check to ensure that all of the following items are included.

A - Faucet B - Mounting Assemblies C - Allen Wrench



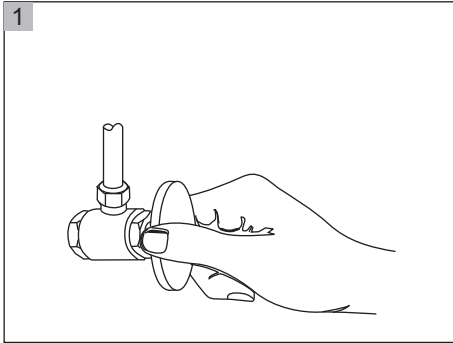
**IMPORTANT NOTICES:** For easy installation, please read all the instruction completely before beginning. Before installing this product, make sure that water line trash is cleared to avoid blockage.

### YOU MAY NEED

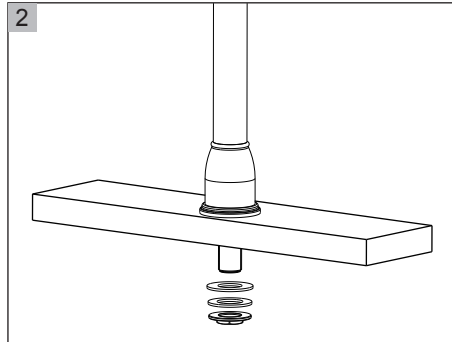


Questions, problems, missing parts?  
 call Akicon Customer Service 8 a.m.-6p.m. EST, Monday-Friday  
 Phone: +1(302)213 4406, Email: service@akiconshop.com  
 AKICONSHOP.COM

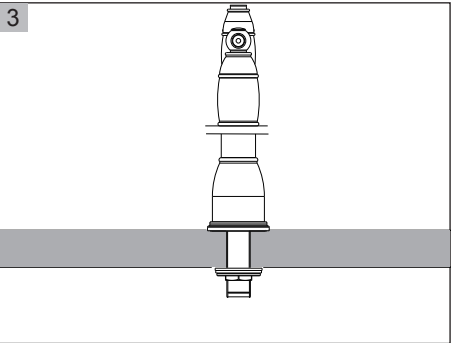
## INSTALLATION PROCEDURES



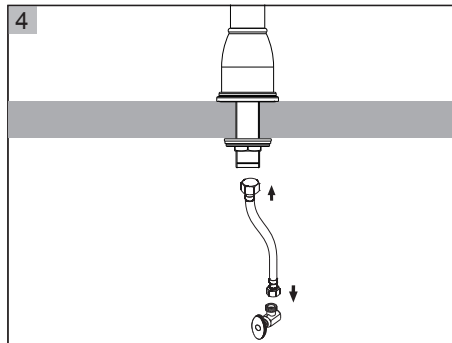
1  
You should clean all the dirt from valve outlets. Turning off the water supply valves. This is usually found near the water meter. If you are replacing an existing faucet, remove the faucet from the sink and clean the sink surface thoroughly.



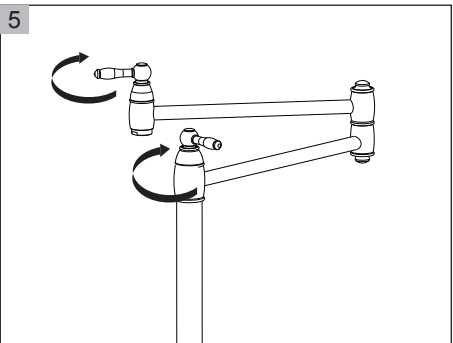
2  
Install without Deck Plate. Make sure the O-RING is placed onto the bottom of Base Ring. Install faucet through hole in sink. From underside sink, put Plastic Washer and Mounting Nut. Position faucet on sink properly and tighten Mounting Nut.



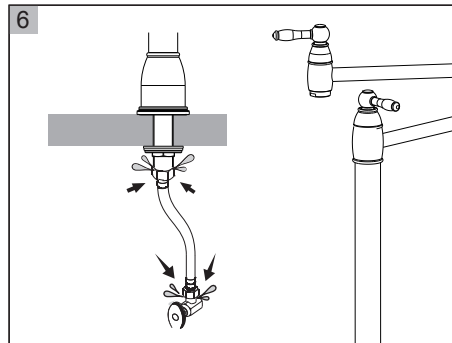
3  
If necessary, tighten screws using an adjustable wrench until the faucet is firmly connected to the sink.



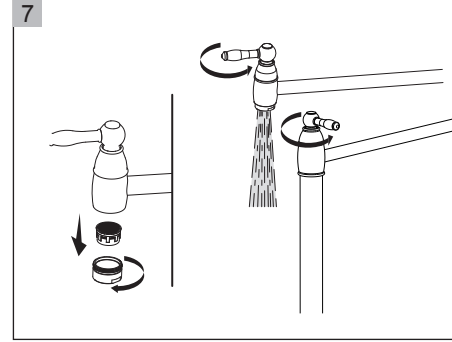
4  
Use the flexible hose to connect the faucet to the water supply valve. (Another purchase of flexible hose)



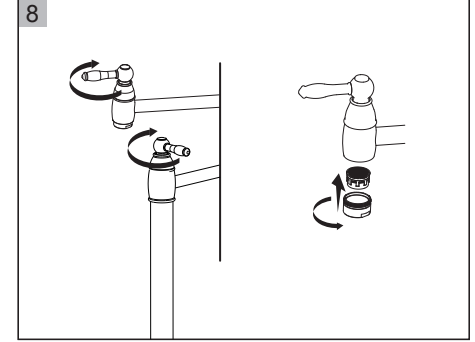
5  
Turn both handles fully clockwise to the off position.



6  
Turn on the water supply to the faucet and check for leaks.

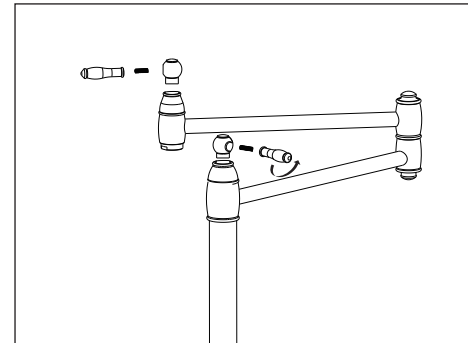


7  
Remove the aerator and open both handles to flush debris from the faucet.



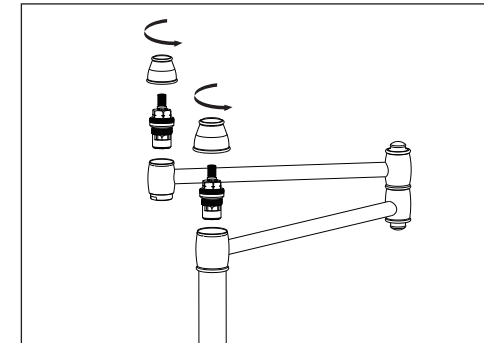
8  
Turn off the water and reinstall the aerator.

## Handle Removal Maintenance



Unscrew handle counter clockwise by hand, then unscrew Screws using screwdriver, take out handle.

## Valve Cartridge Removal Maintenance



Remove handles. Unscrew Dome Cap counter clockwise by hand. Unscrew Retaining Nut using adjustable wrench, take out cartridge assembly and inspect. Replace parts as necessary. Reassemble parts by reversing steps.