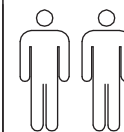
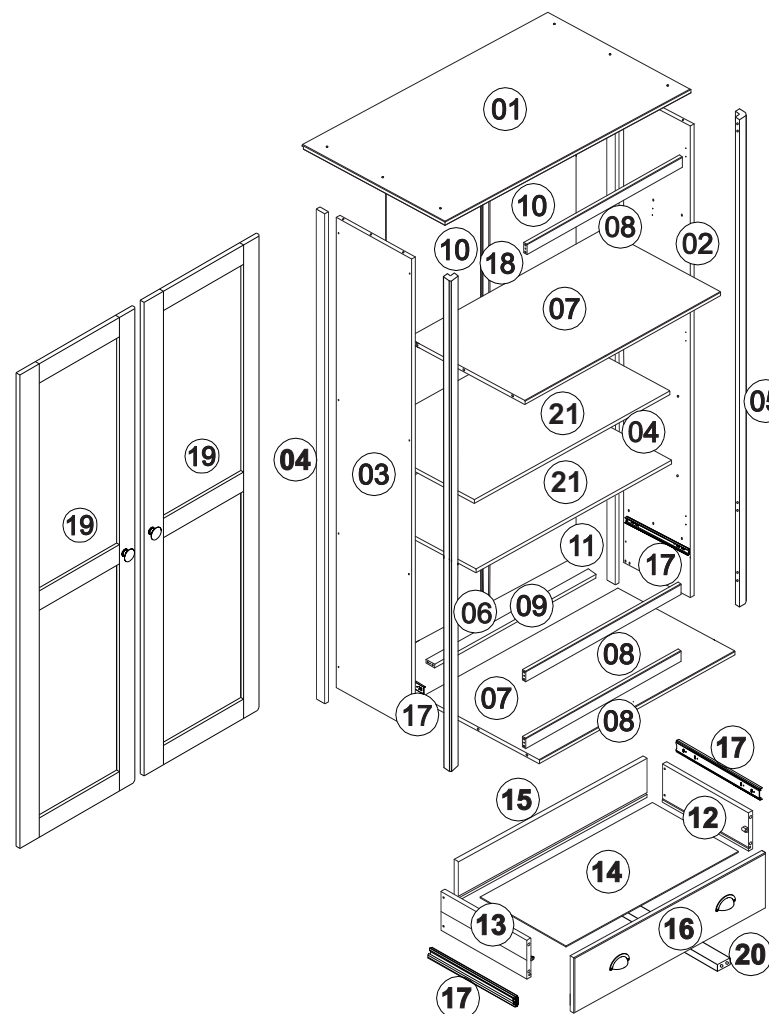
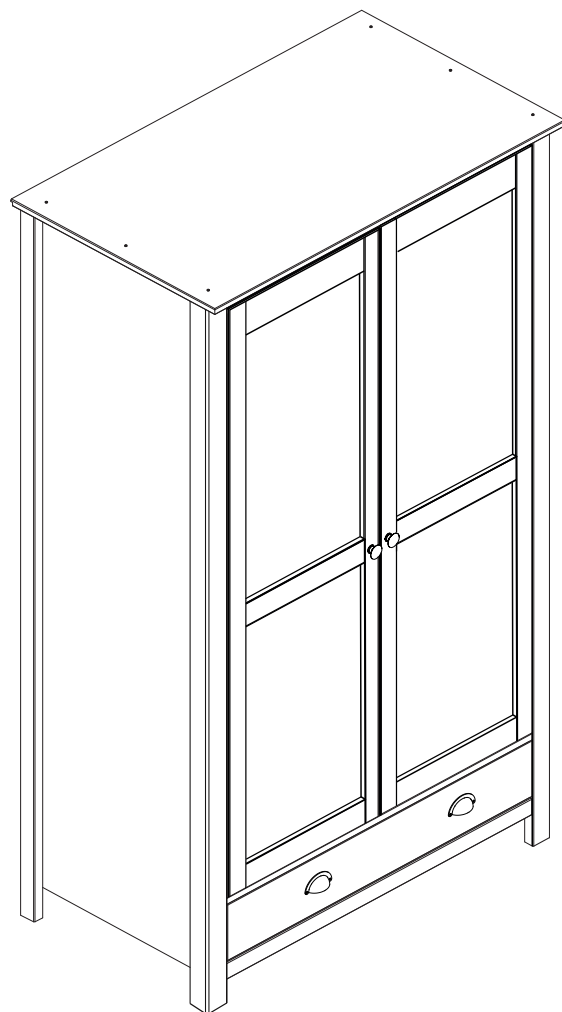
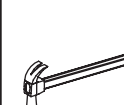
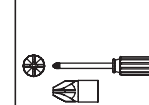


ASSEMBLY INSTRUCTION

WARDROBE 2 DOORS 1 DRAWER























120min



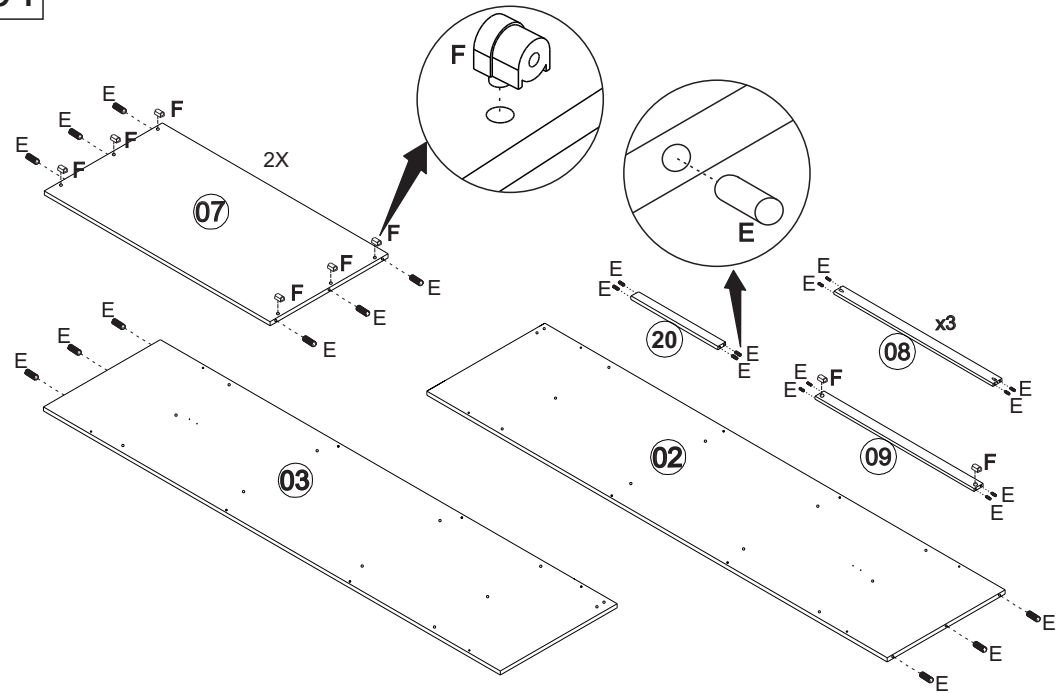
PARTS LIST

	QT
1- Top	01
2- Right side	01
3- Left side	01
4- Back feet	02
5- Right front foot	01
6- Left front foot	01
7- Shelves	02
8- Horizontal front crossbeam	03
9- Horizontal back crossbeam	01
10- Back panel	02
11- Clothes rack	01
12- Drawer right side	01
13- Drawer left side	01
14- Drawer base	01
15- Drawer back	01
16- Drawer front	01
17-Drawer runner	02
18- Back strut	01
19- Doors	02
20- Drawer bottom support	01
21- Loose shelf	02

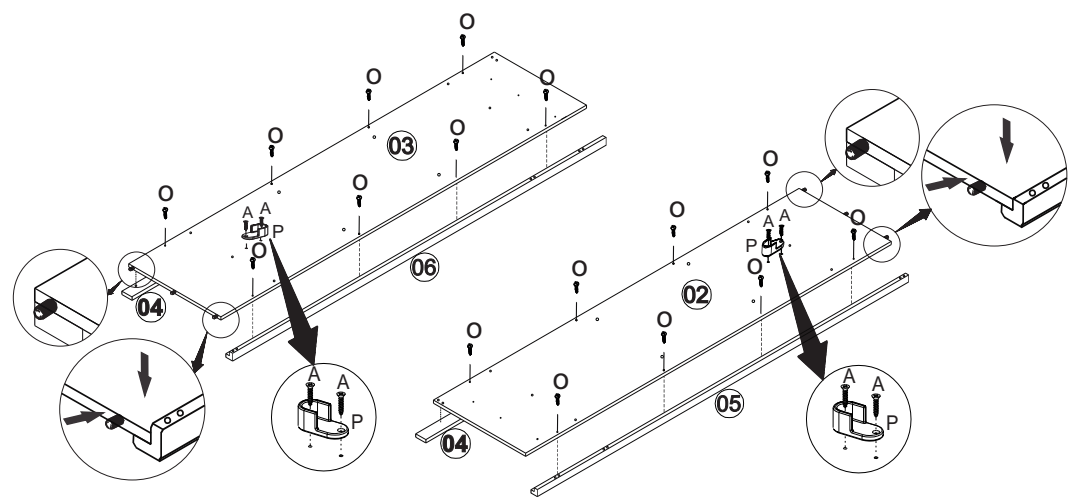
V.:01

A  3.5 x 14 x56	B  4.0 x 40 x06	C  10x10 x40	D  4.0x25 x20	E  8,0x30 x42	F  x16	G  x02	H  M4 x 22 x02	I  x02	J  x02
L  3.0 x 16 x04	N  x06	O  4,0 x 30 x22	P  x02	R  x04	S  x08	T  x01	U  3.5 x 20 x02	V  x02	W  5,0 x 60 x02

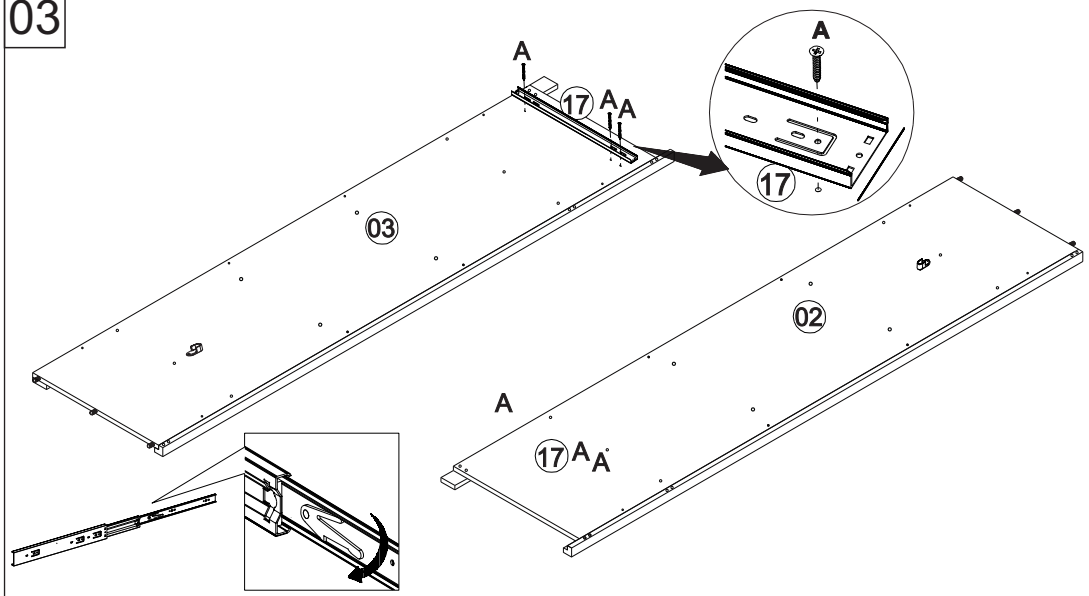
01



02

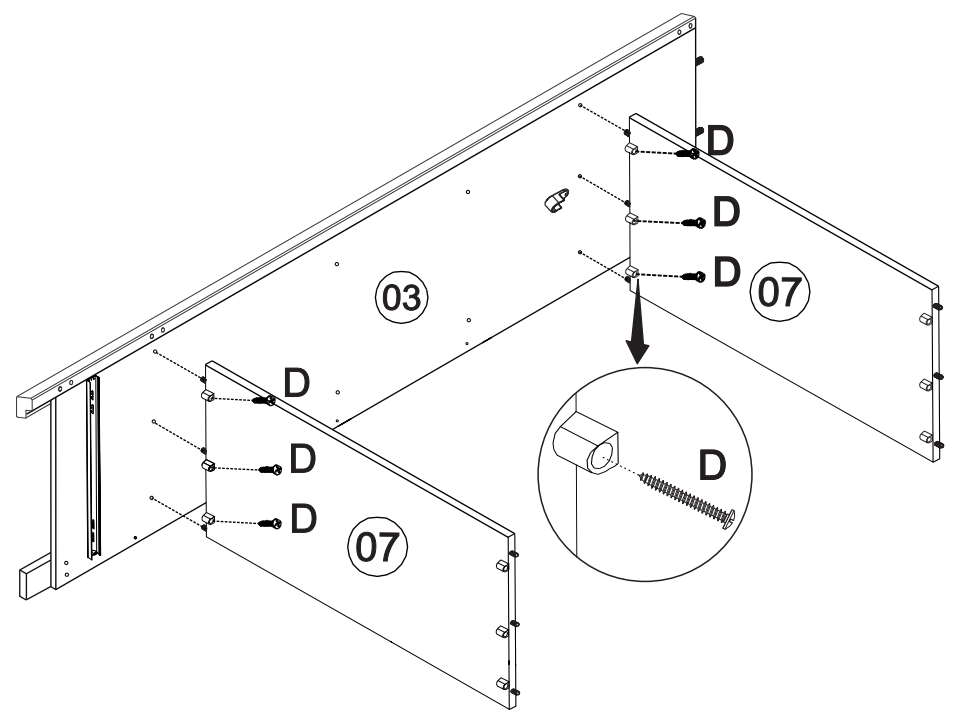


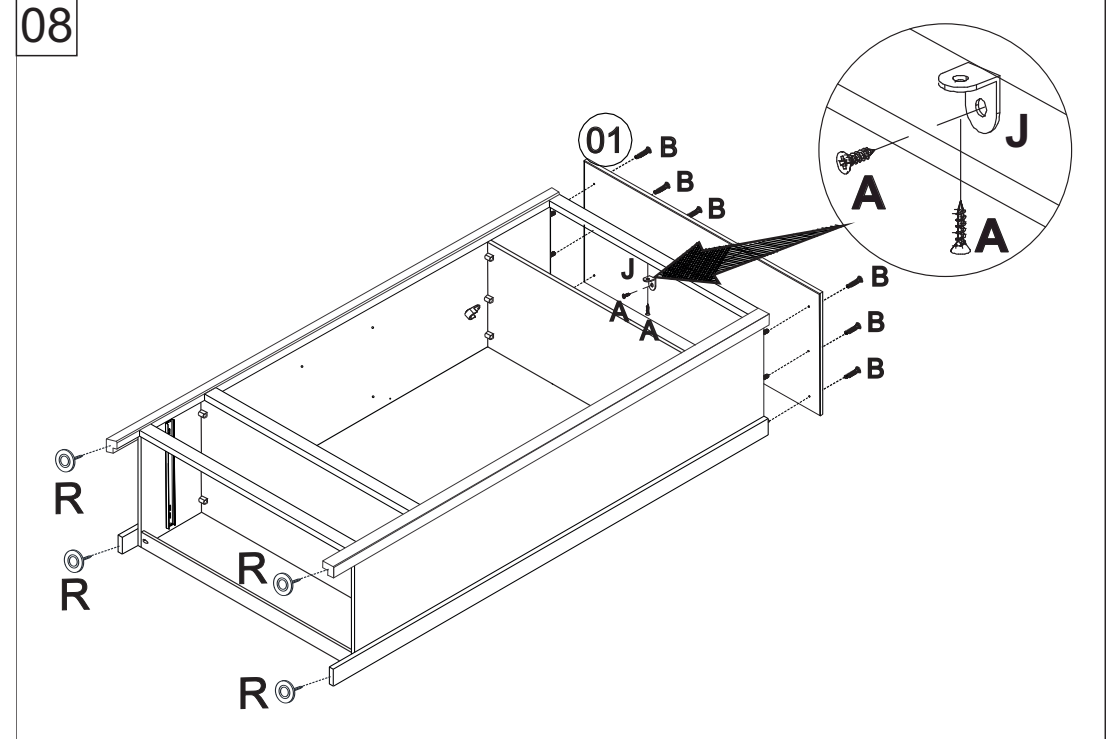
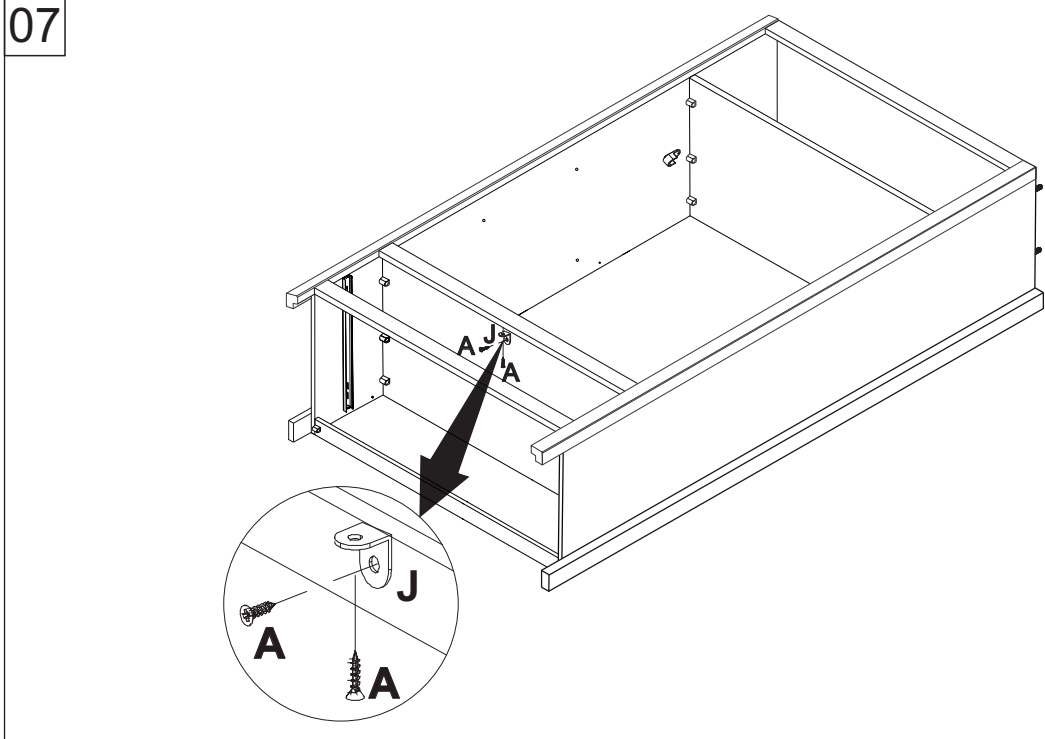
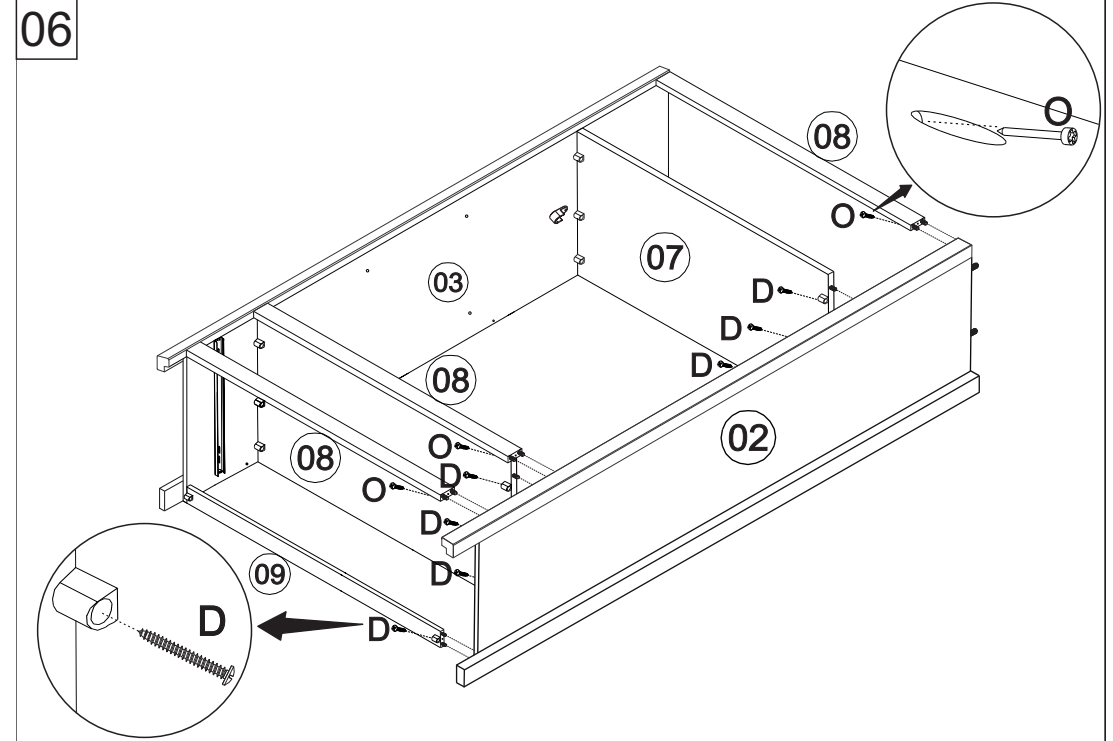
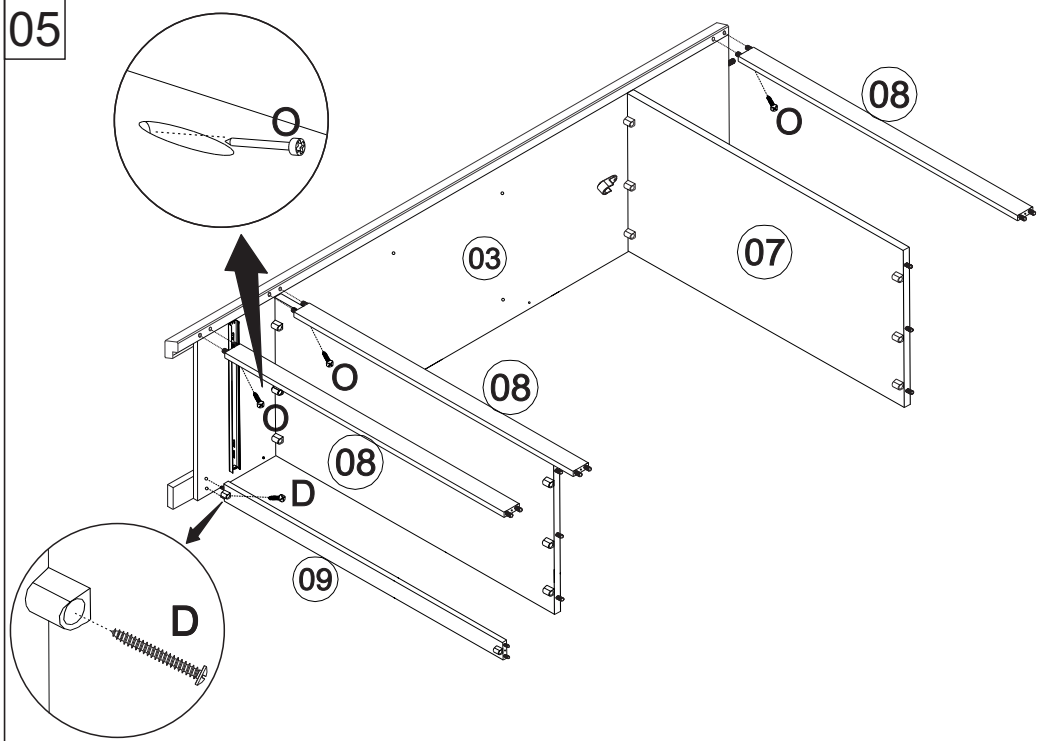
03



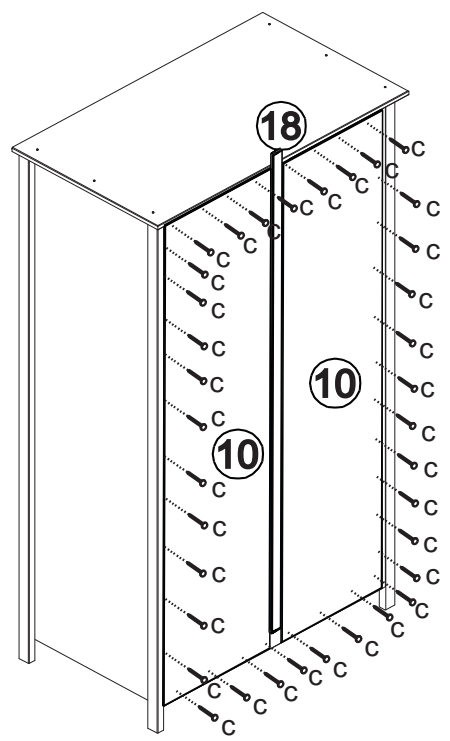
Disassemble the Drawer Runner

04

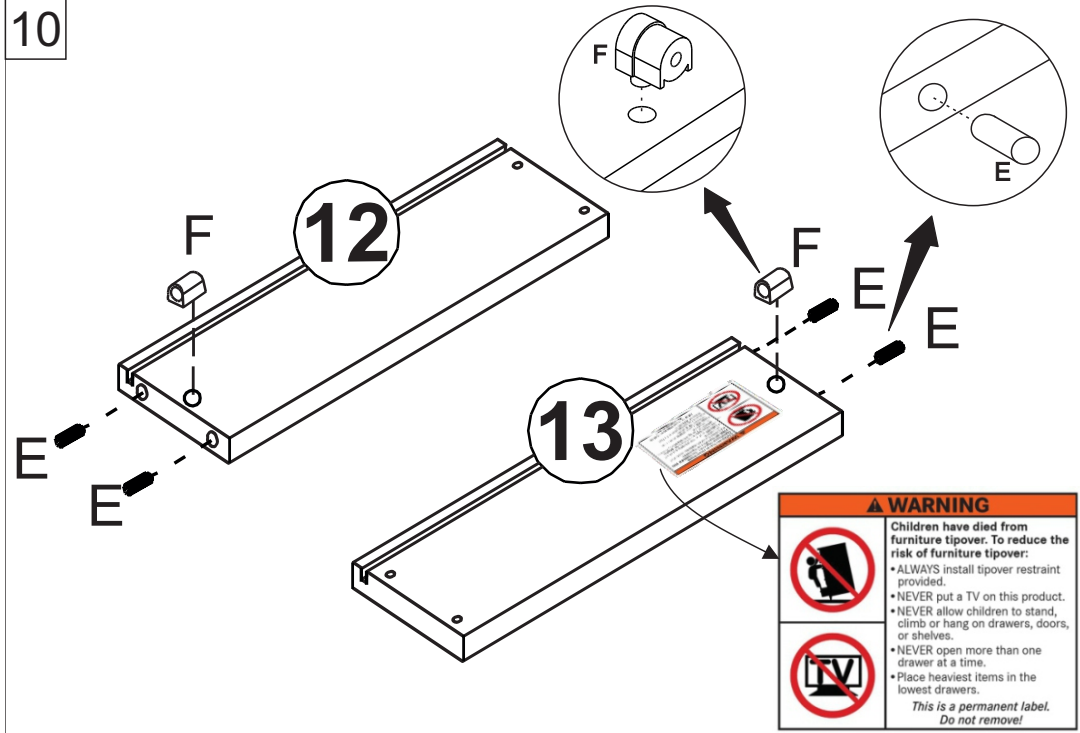




09



10



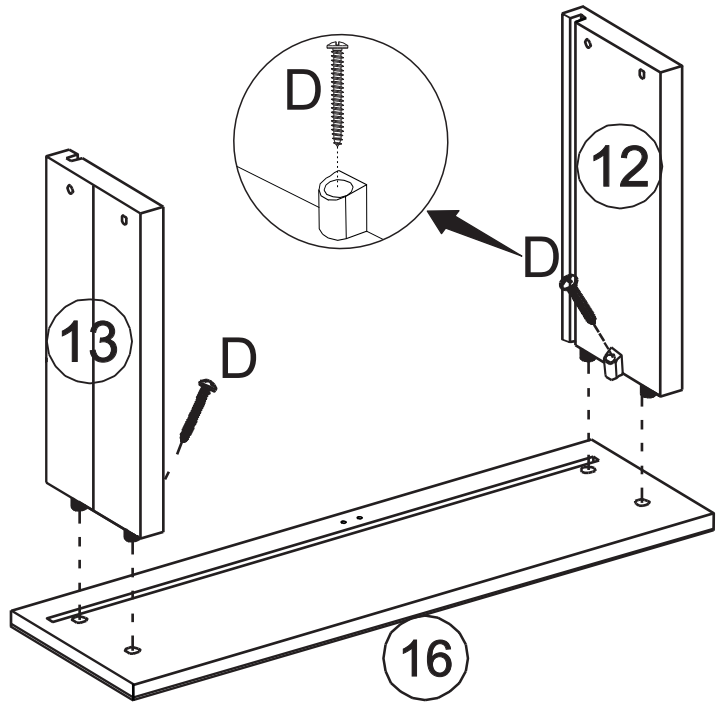
WARNING

Children have died from furniture tipover. To reduce the risk of furniture tipover:

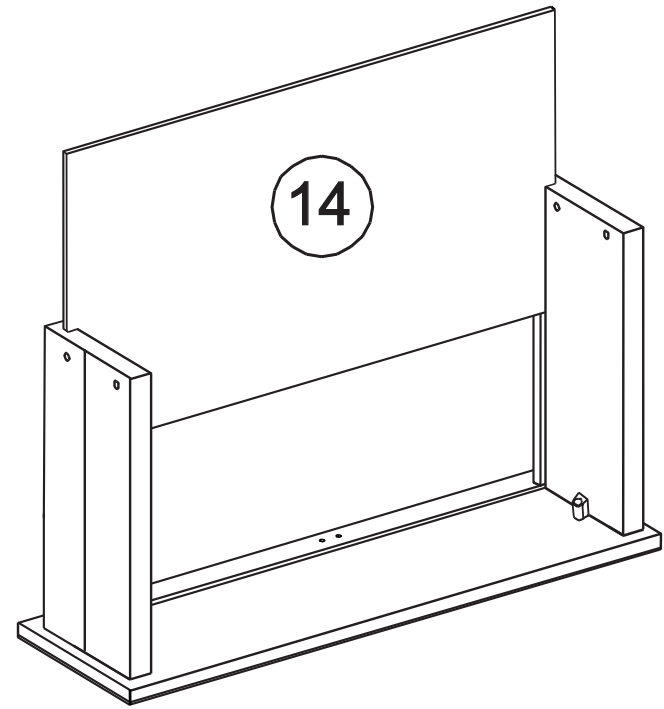
- ALWAYS install tipover restraint provided.
- NEVER put a TV on this product.
- NEVER allow children to stand, climb or hang on drawers, doors, or shelves.
- NEVER open more than one drawer at a time.
- Place heaviest items in the lowest drawers.

This is a permanent label. Do not remove!

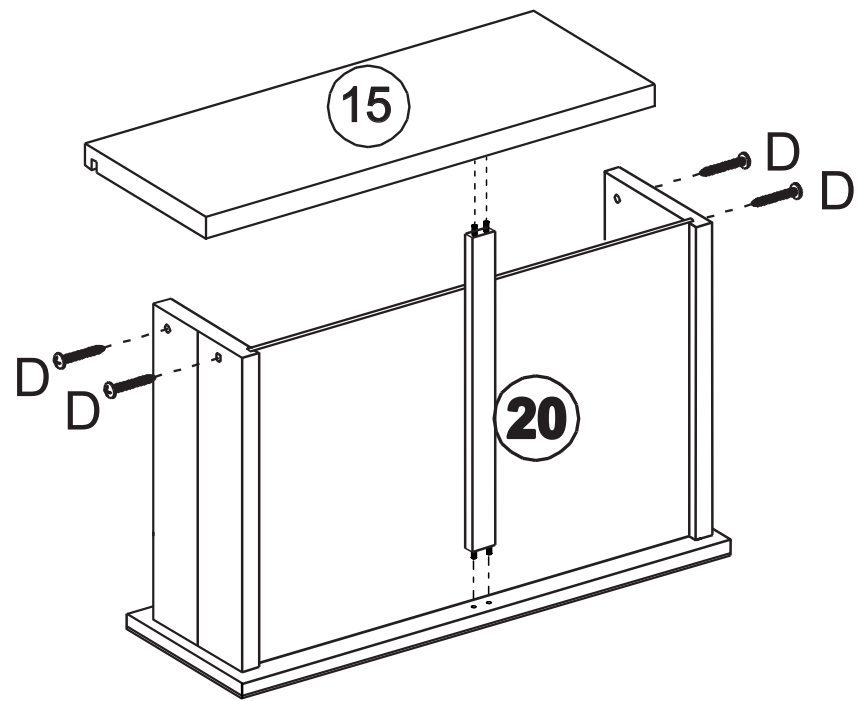
11



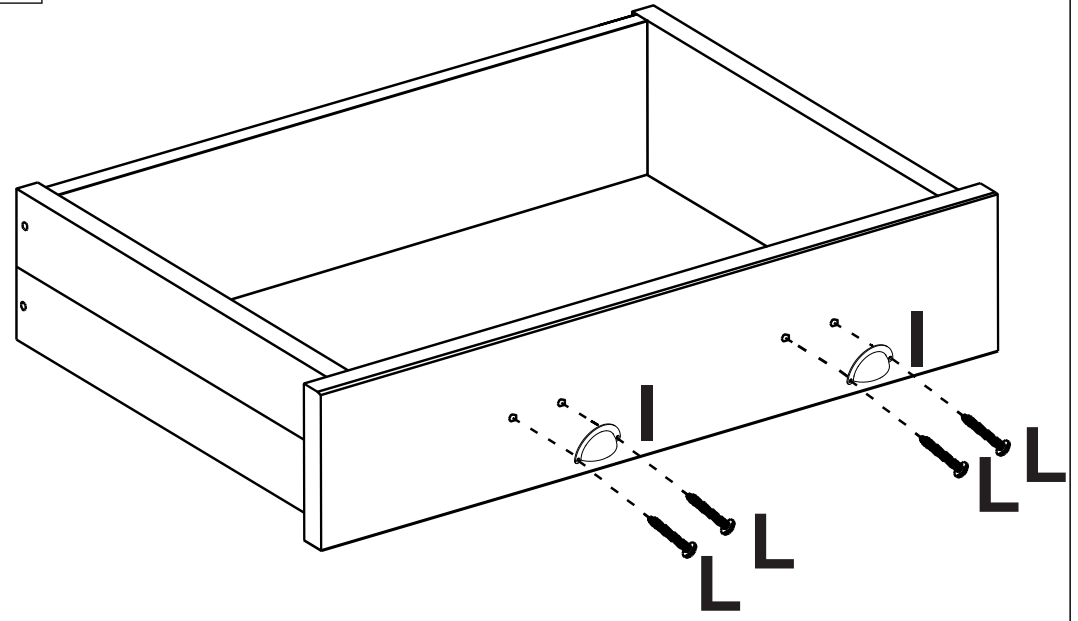
12



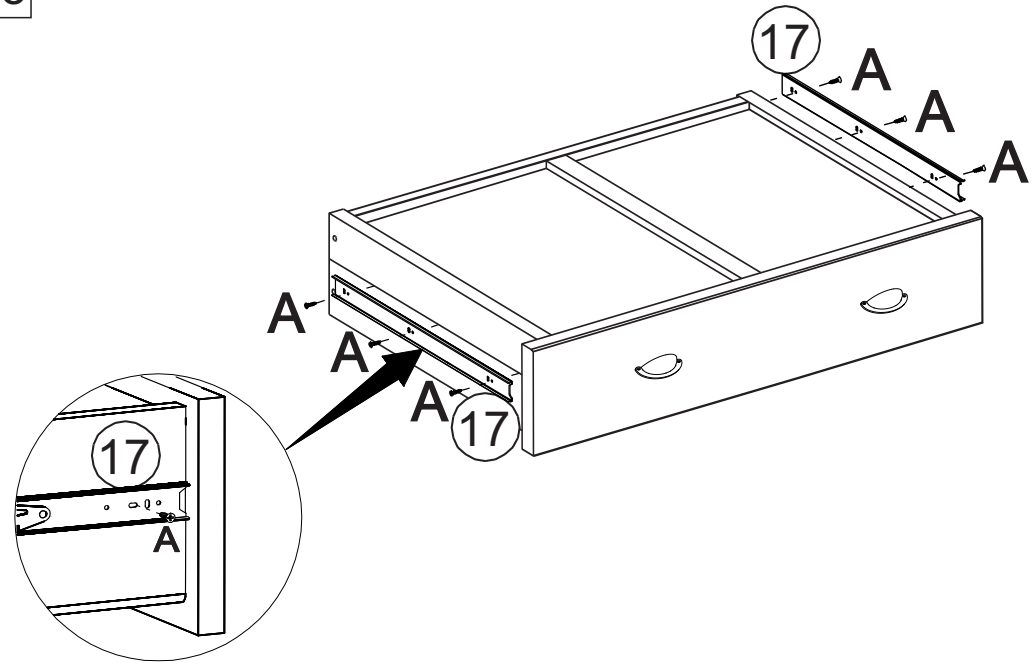
13



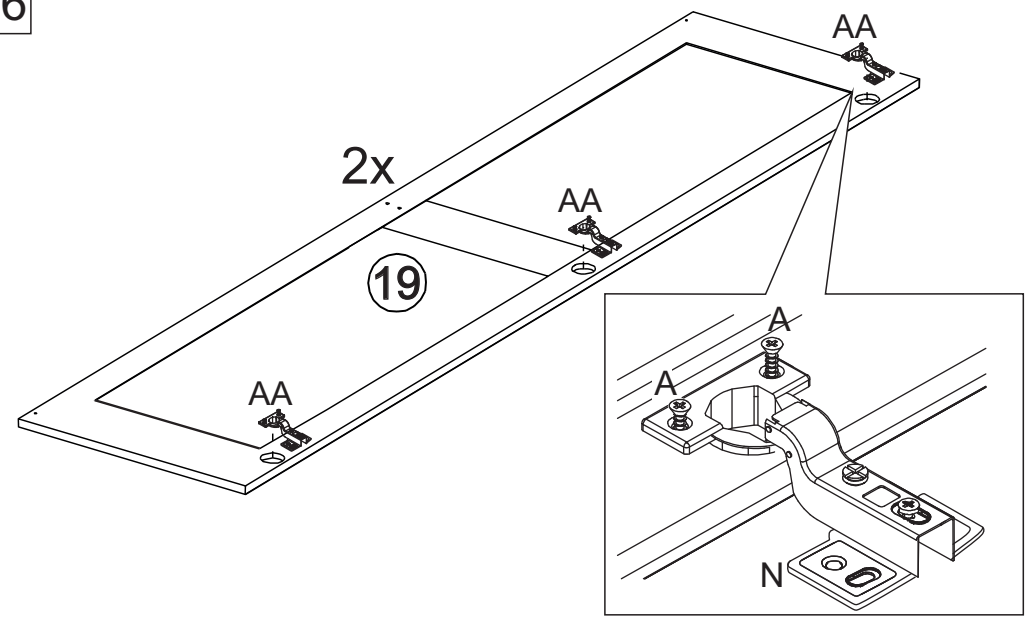
14



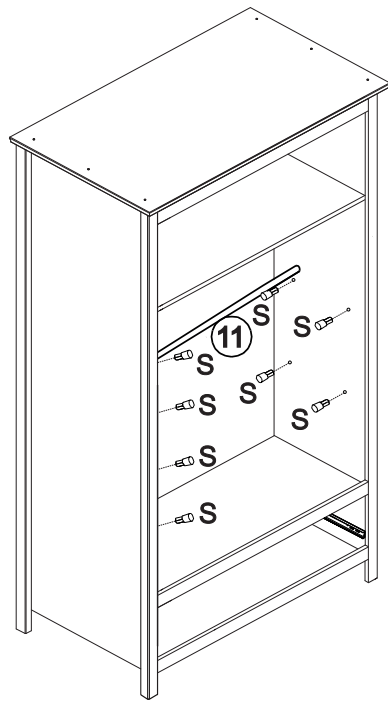
15



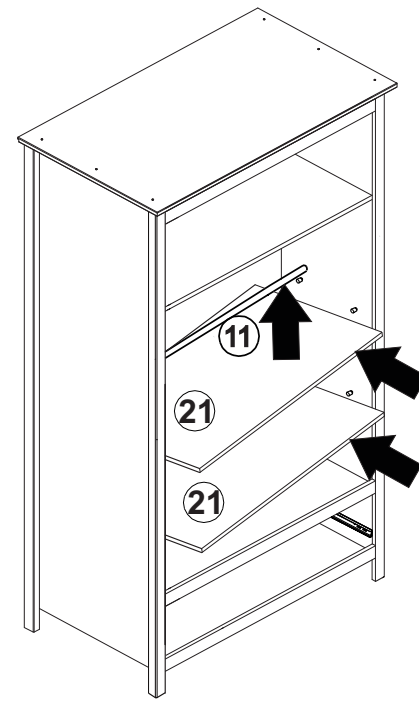
16



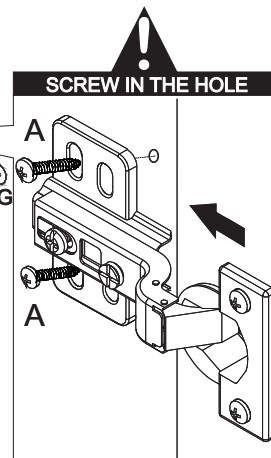
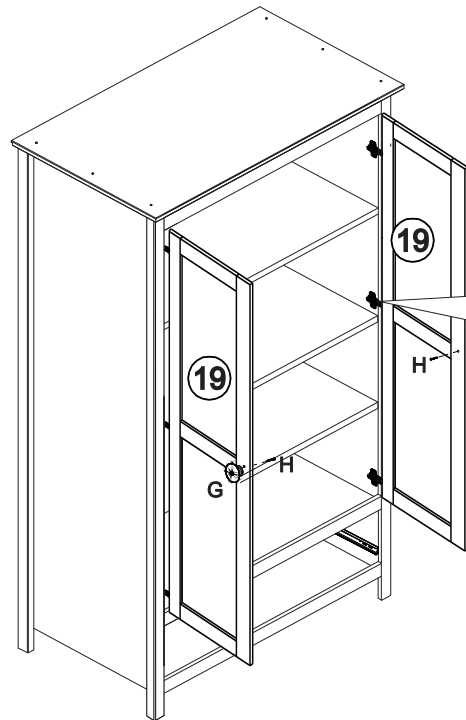
17



18



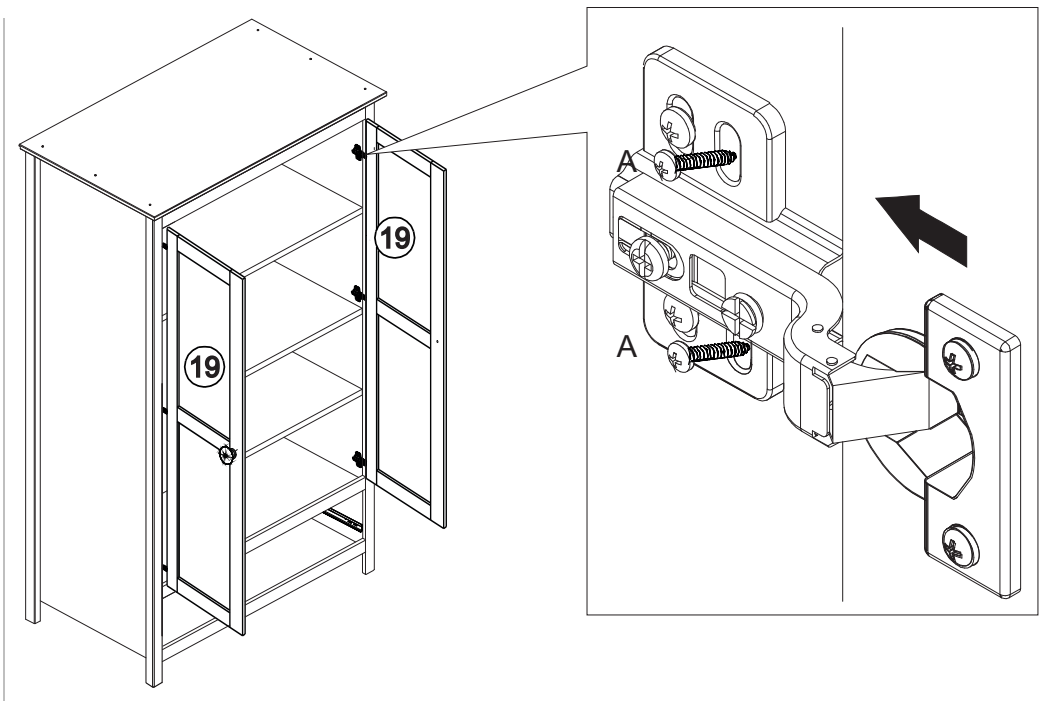
19



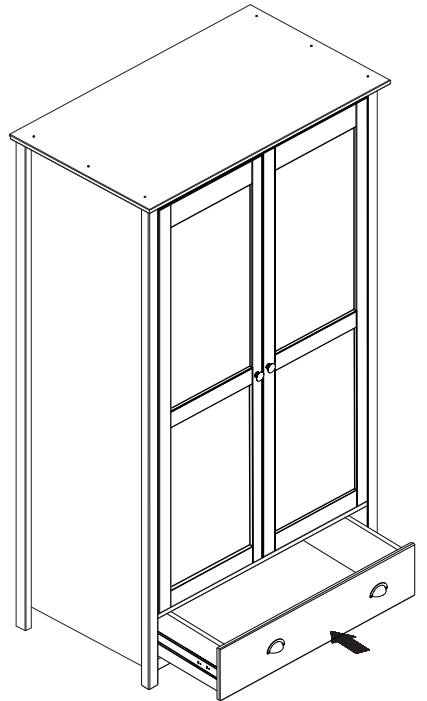
DOOR ADJUSTMENT

1 ^a 	2 ^a 	3 ^a
1 ^a 	2 ^a 	3 ^a
1 ^a 	2 ^a 	3 ^a

20



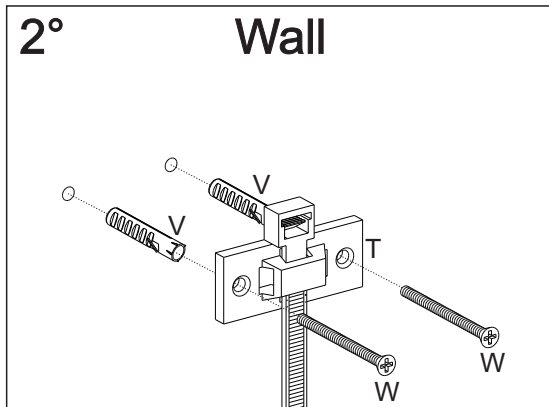
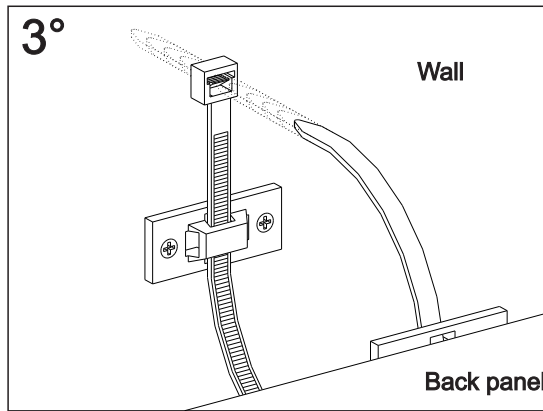
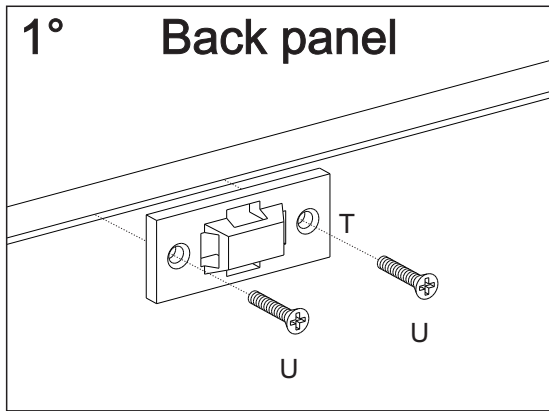
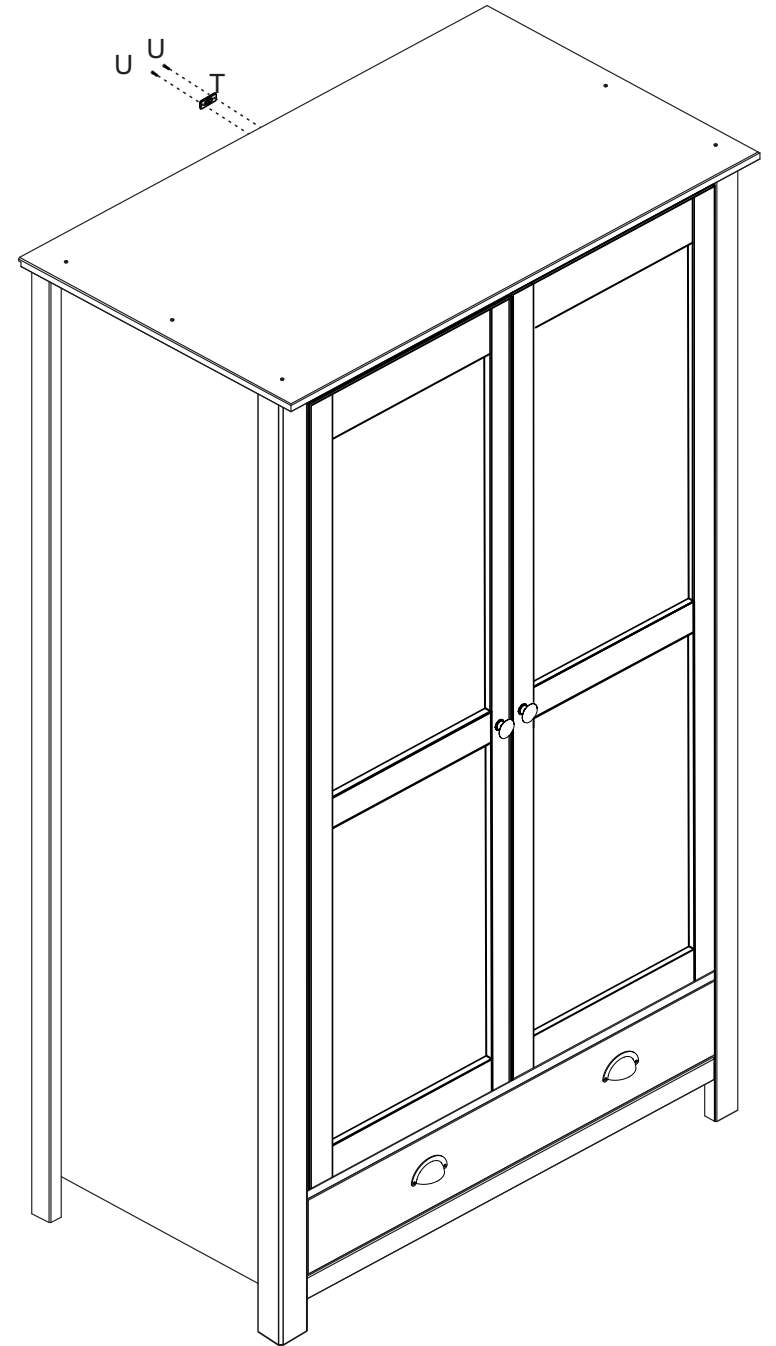
21



WARNING

Serious or fatal injuries can occur from furniture tipping over. To prevent the furniture from tipping over we recommend that it is permanently fixed to the wall.

Wall anchor and hardware are included with this product. Please make sure hardware is suitable for your walls before installing, as different wall materials may require different types of anchors.



With drilling machine make one hole in the wall,
Insert part (V) in the hole.

Secure part (T) with Screw (U), in the wall.

U		02
T		01
W		02
V		02