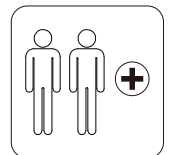
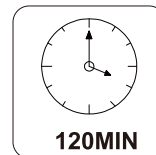
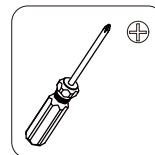
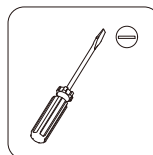
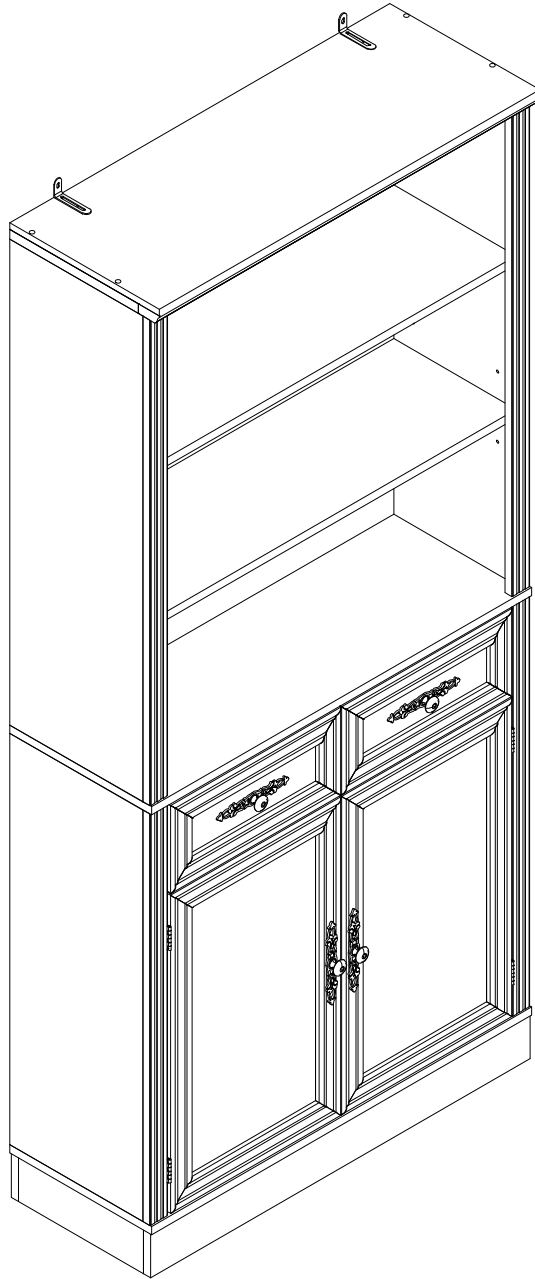


Installation & Assembly



EN_IMPORTANT, RETAIN FOR FUTURE REFERENCE: READ CAREFULLY.

. THANK YOU FOR PURCHASE! .

FREE REPLACEMENT PARTS AVAILABLE!



---NEED HELP WITH YOUR FURNITURE?---

If you're experiencing any issues—whether due to shipping, assembly, or any other reason
—we're here to help.

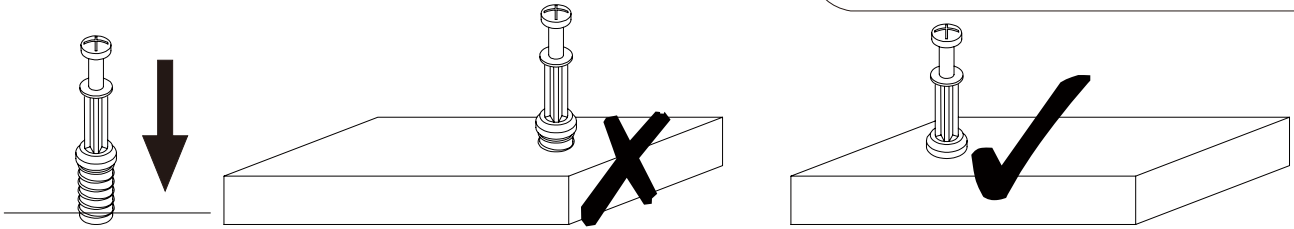
For any damaged or missing components, we're happy to provide FREE replacement parts.

WANT TO CONTACT US

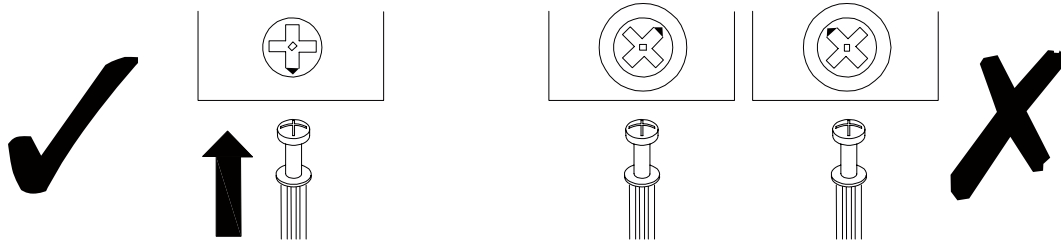
- ▶ Log in to your account.
- ▶ Go to “Your Orders” and locate your furniture order.
- ▶ Click on “Get Help with Order” to send us a message directly.

Our customer support team is ready to assist you and we will respond within
12-24 HOURS to resolve your concerns quickly!

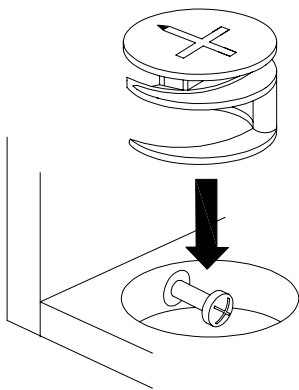
USING CAM LOCK AND QUICKFIT



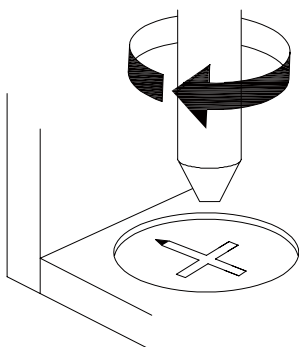
EN_QUICKFIT: Tighten quickfit until shoulder is flush with panel. Do not overtighten or undertighten.



EN_CAM LOCK: When fitting cam lock, ensure starting position is correct before you insert connecting quickfit.

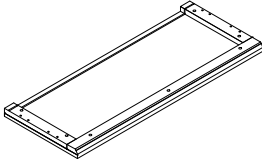
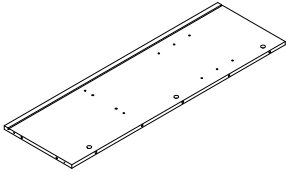
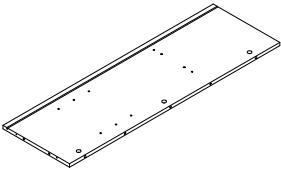
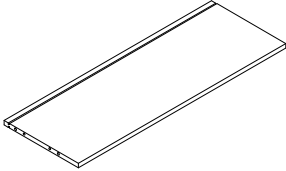
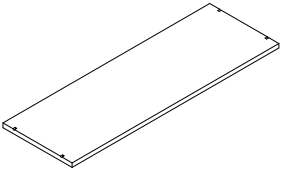
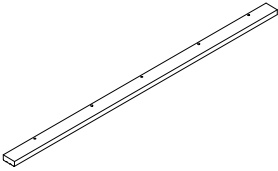
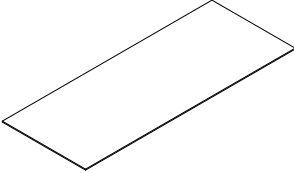
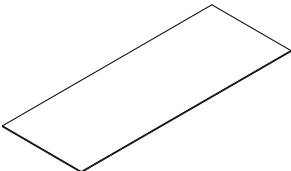
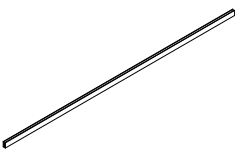
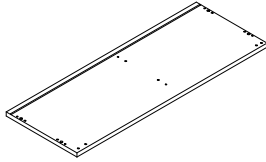


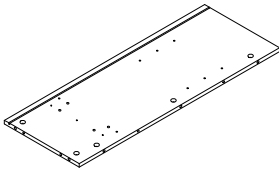
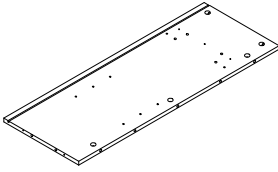
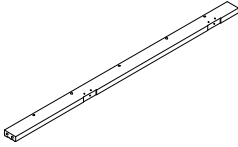
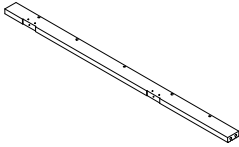
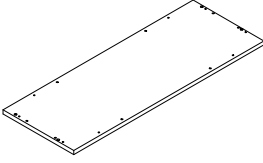
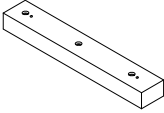
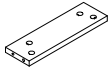
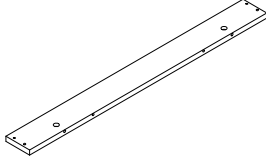
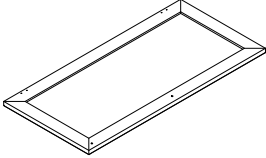
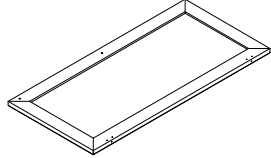
EN_Quickfit head should be in the centre of the cam lock when the two panels are joined.
Cam lock should be inserted before quickfit.



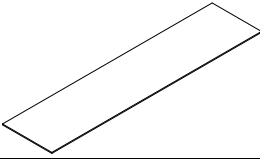
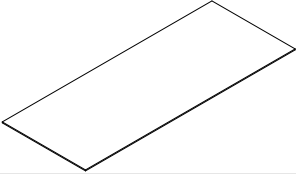
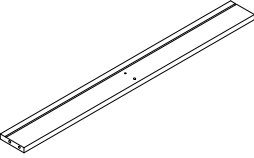
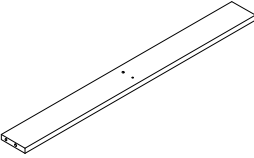
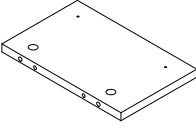
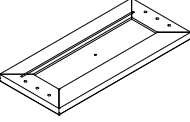
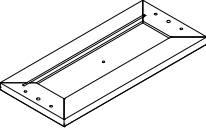
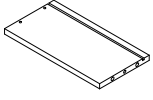
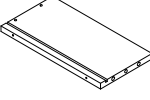
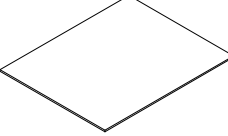
EN_Turn cam lock clockwise to tighten.

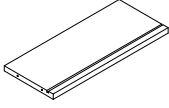
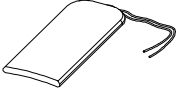
PACKING DETAILS

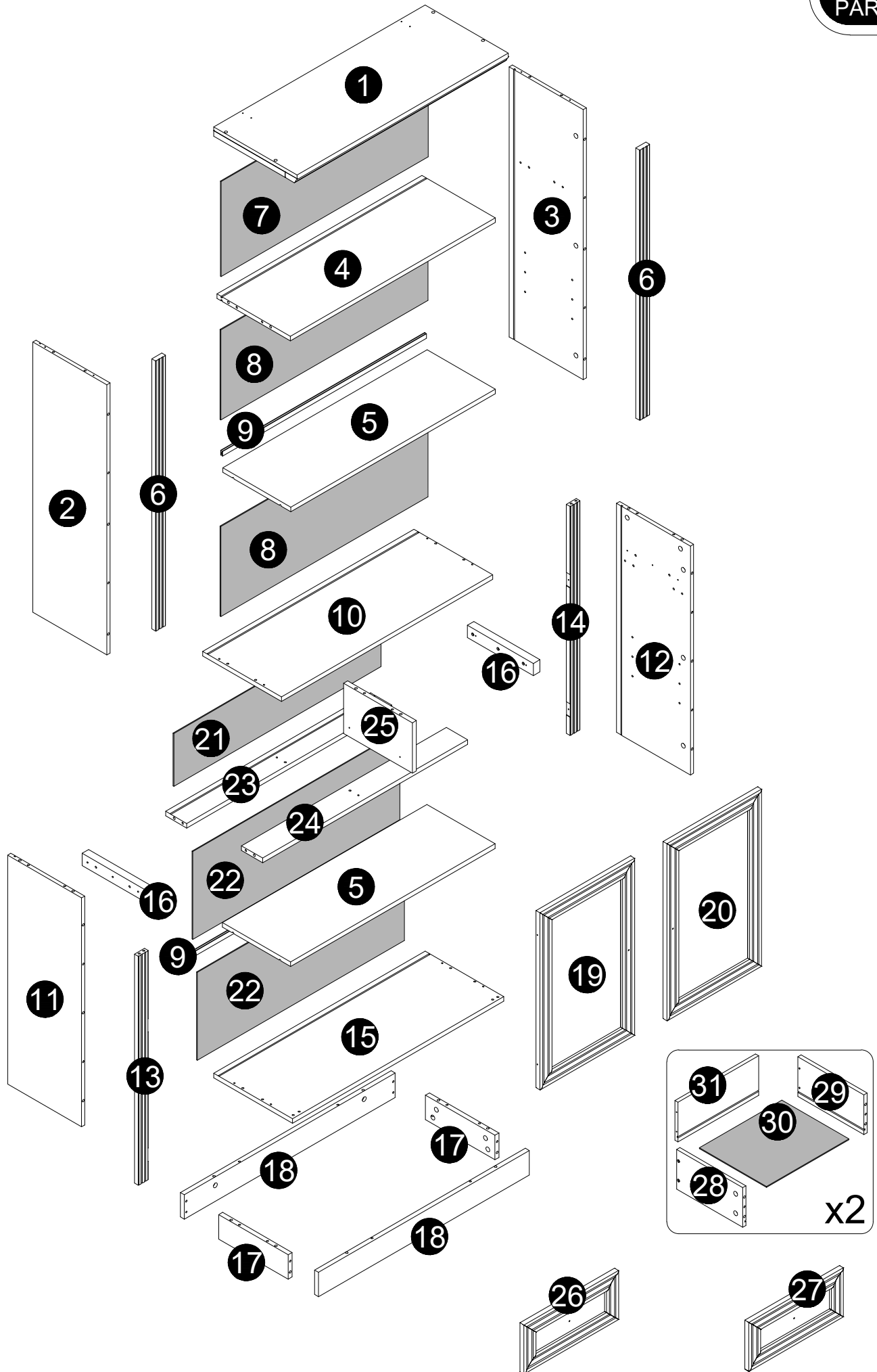
NO.	PARTS	QTY	SPARE
①		x1	
②		x1	
③		x1	
④		x1	
⑤		x2	
⑥		x2	
⑦		x1	
⑧		x2	
⑨		x2	
⑩		x1	

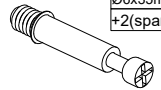

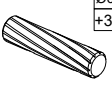
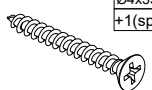
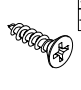

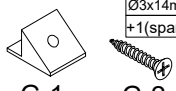
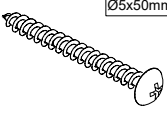
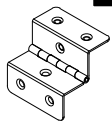
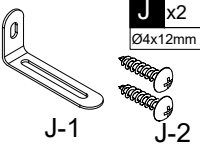
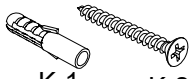


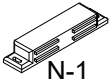

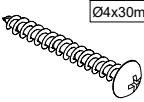

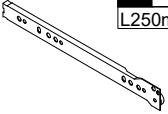
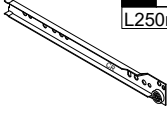
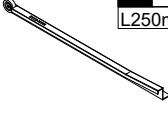
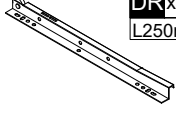
NO.	PARTS	QTY	SPARE
⑪		x1	
⑫		x1	
⑬		x1	
⑭		x1	
⑮		x1	
⑯		x2	
⑰		x2	
⑱		x2	
⑲		x1	
⑳		x1	

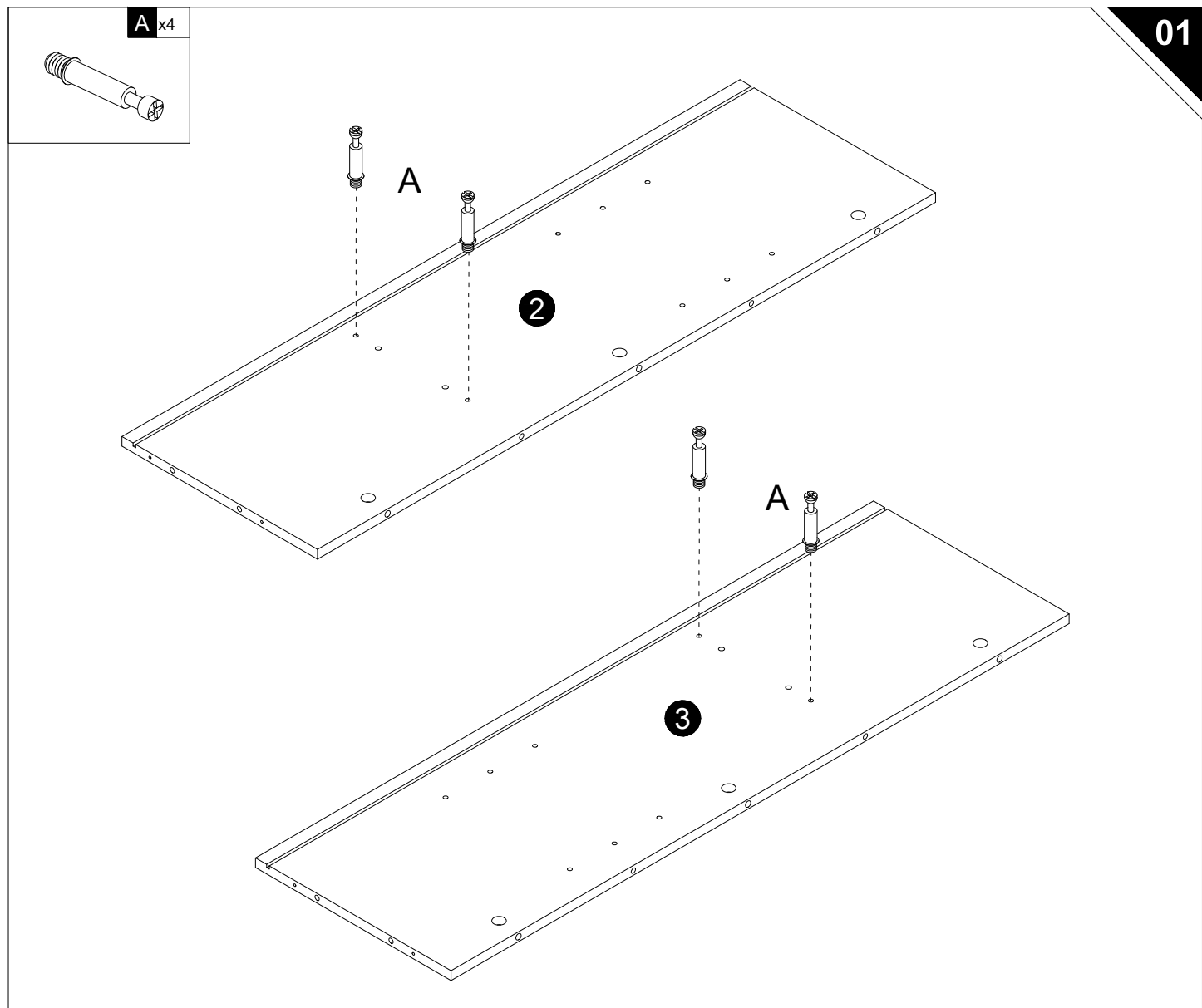
PACKING DETAILS

NO.	PARTS	QTY	SPARE
21		x1	
22		x2	
23		x1	
24		x1	
25		x1	
26		x1	
27		x1	
28		x2	
29		x2	
30		x2	

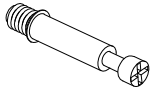
NO.	PARTS	QTY	SPARE
31		x2	
	 Hardware Kit		



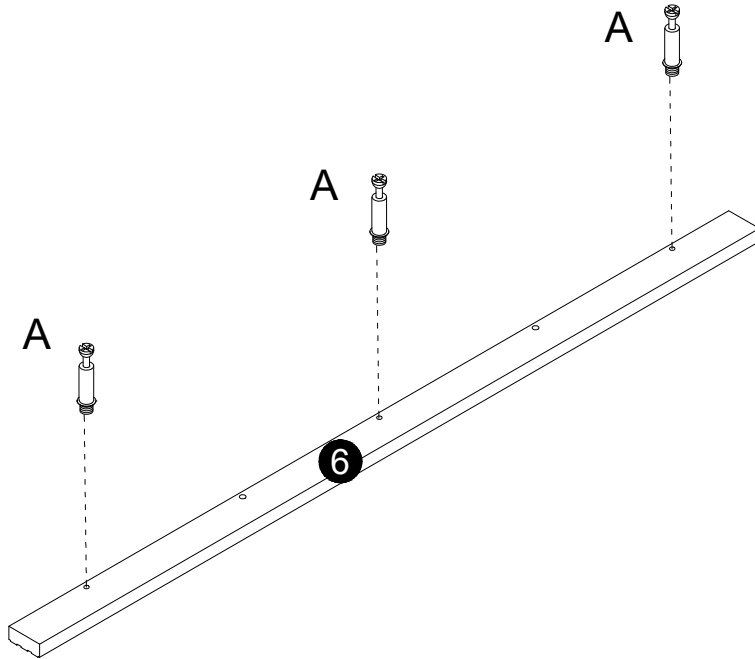
 A x46 Ø6x35mm +2(spare)	 B x46 Ø15x10mm +2(spare)	 C x64 Ø6x30mm +3(spare)	 D x18 Ø4x35mm +1(spare)	 E x40 Ø3.5x12mm +2(spare)	F-1 F-2 F-3 
G-1 G-2  G x16 Ø3x14mm +1(spare)	 H x4 Ø5x50mm	 I x4	J-1 J-2  J x2 Ø4x12mm	K-1 K-2  K x2	L x33  Ø20mm +2(spare)
 M x8	N-1 N-2  N x1	O-1 O-2  O x2	P x6  Ø4x30mm	Q-1 Q-2 Q-3  Q x2	
 CL x2 L250mm	 CR x2 L250mm	 DL x2 L250mm	 DR x2 L250mm		



A x6



02



x2

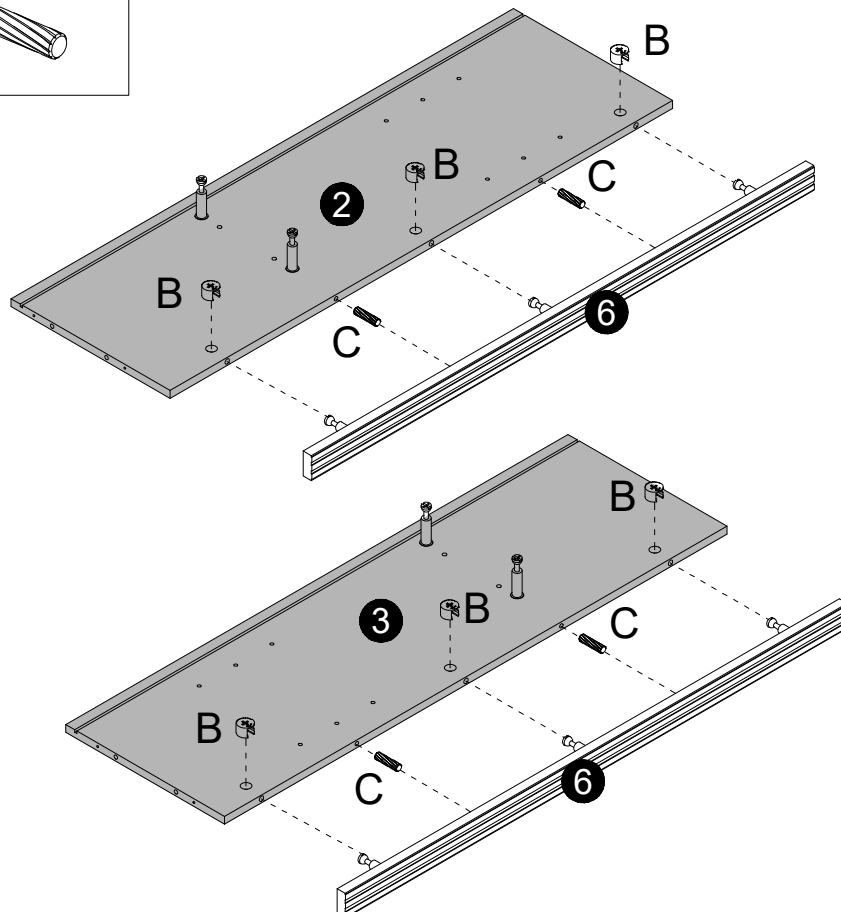
B x6



C x4



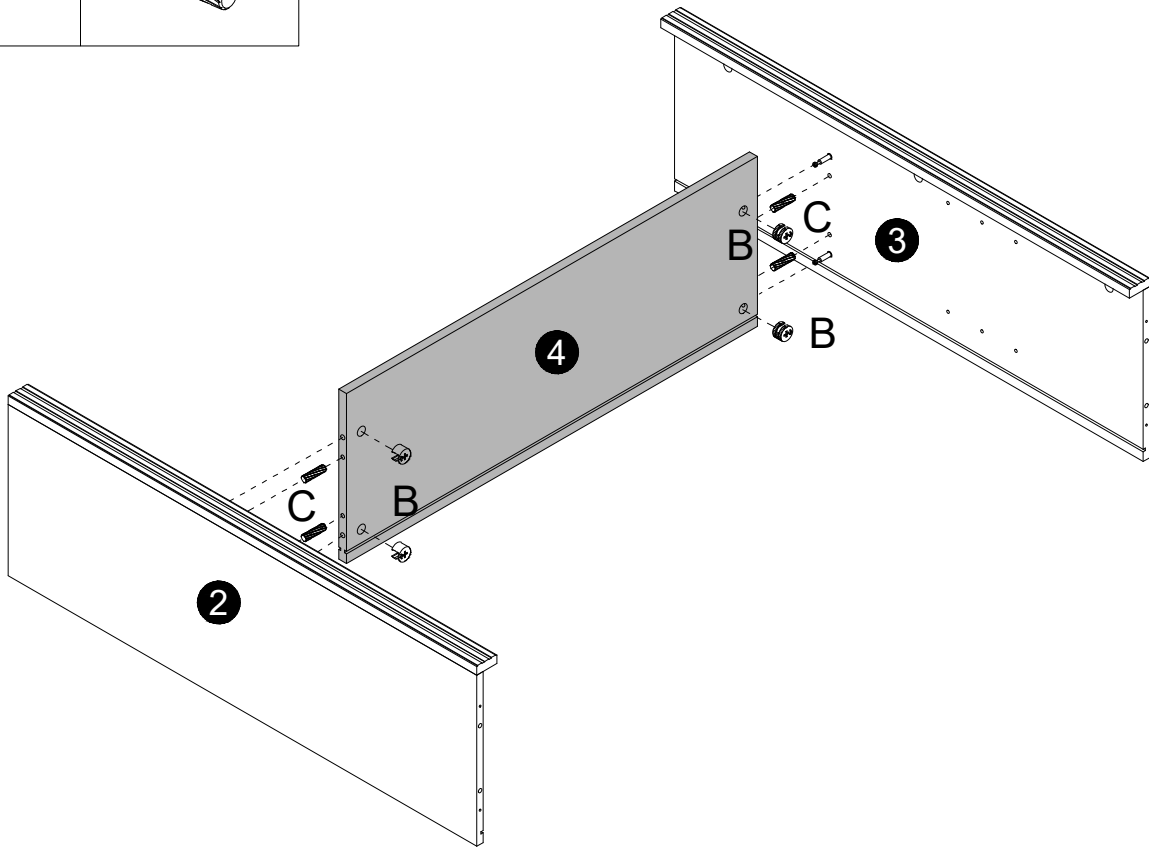
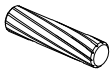
03



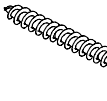
B x4



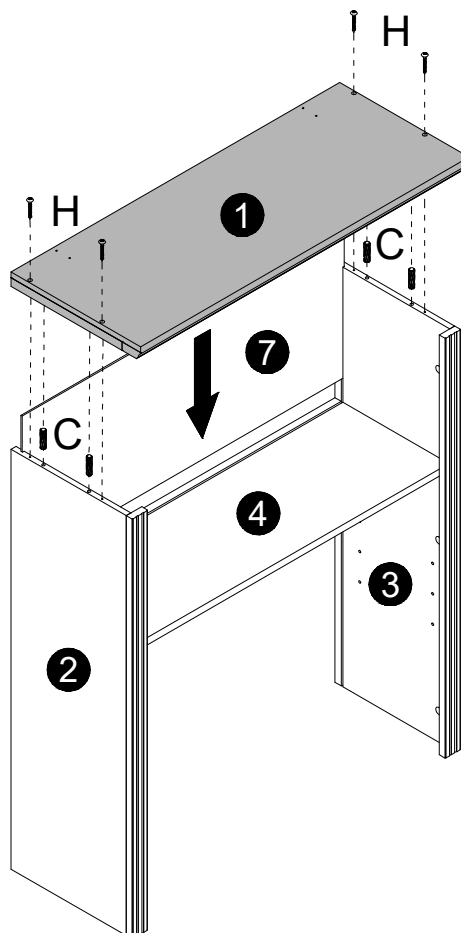
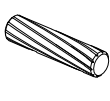
C x4

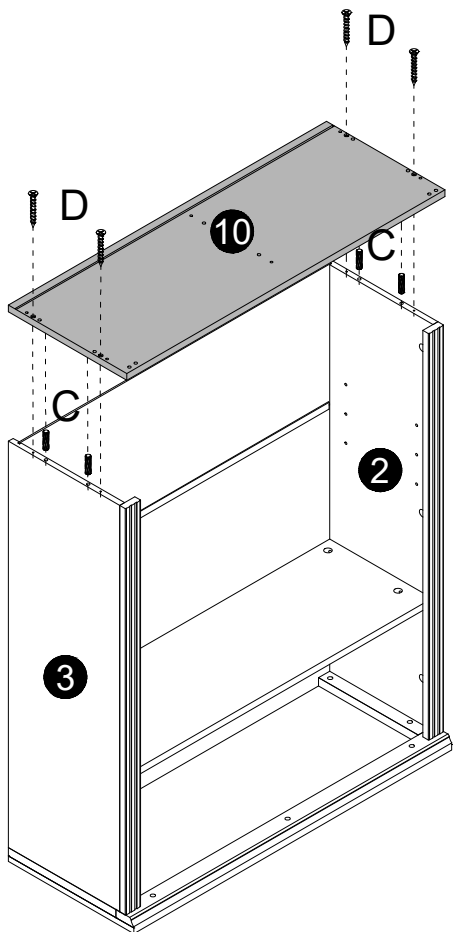
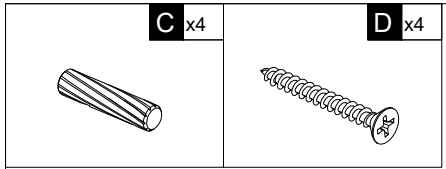
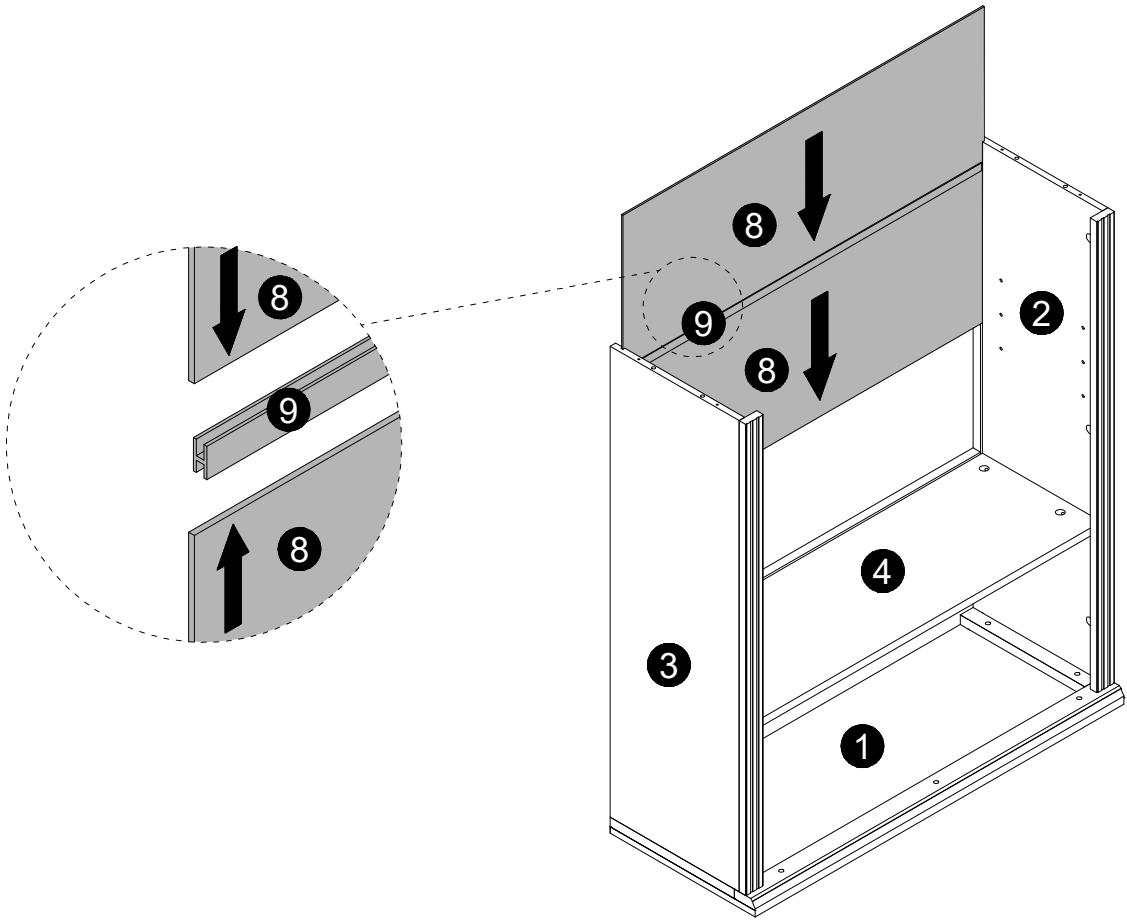


H x4



C x4

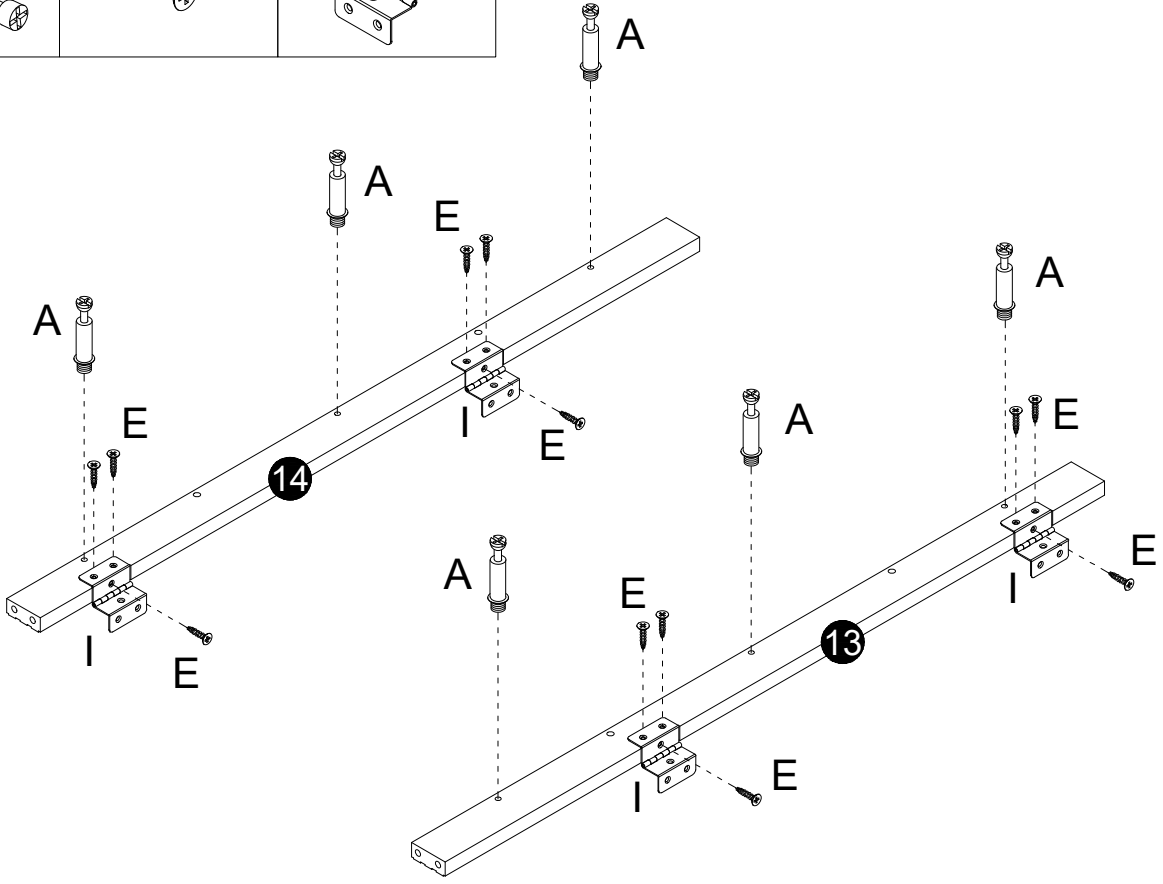
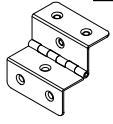
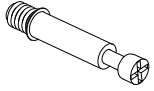




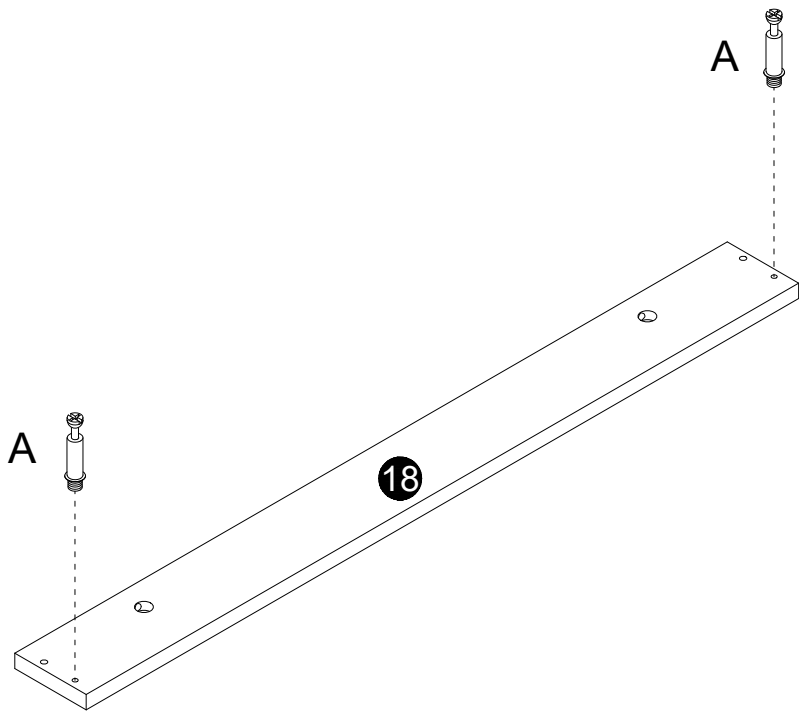
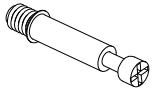
A x6

E x12

I x4

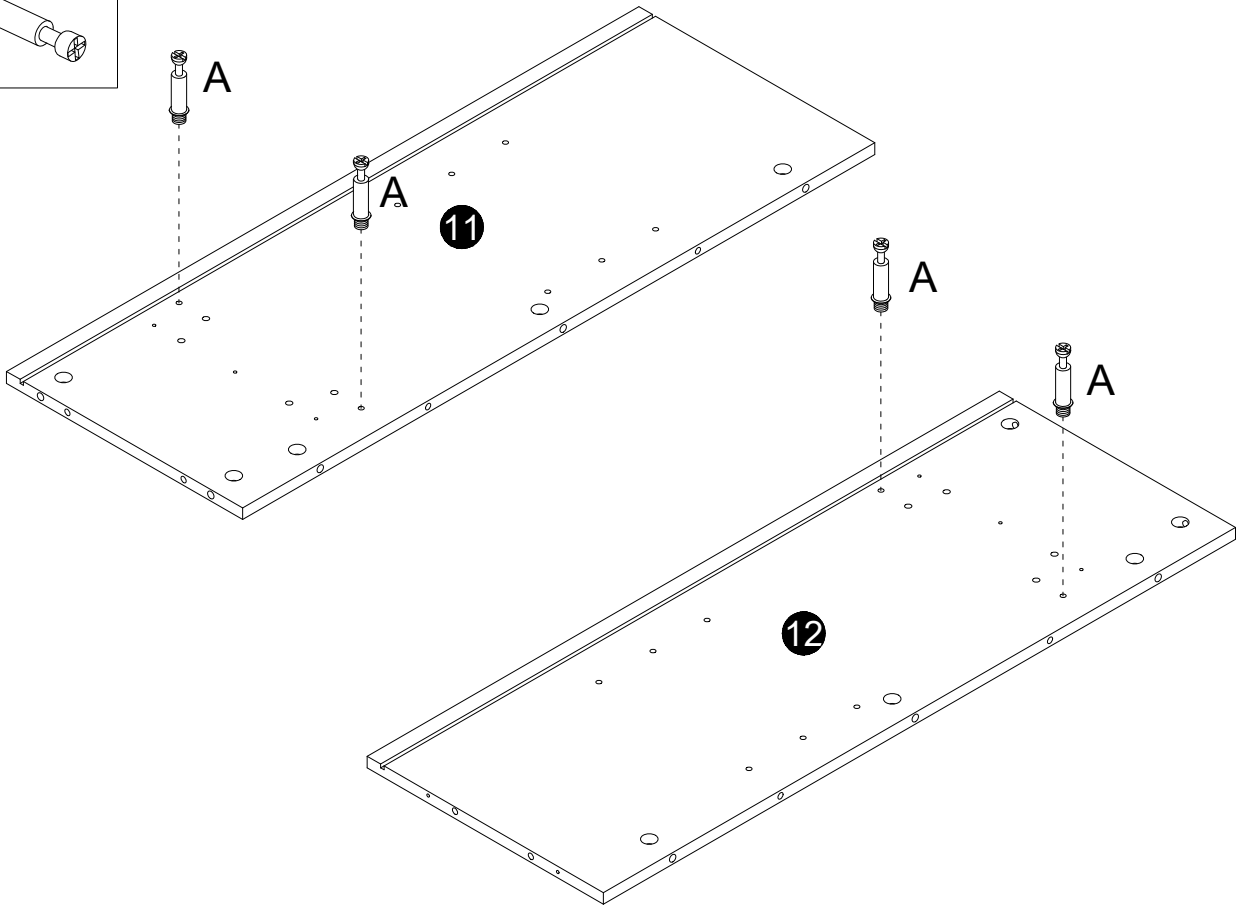
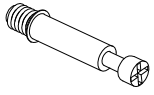


A x4



x2

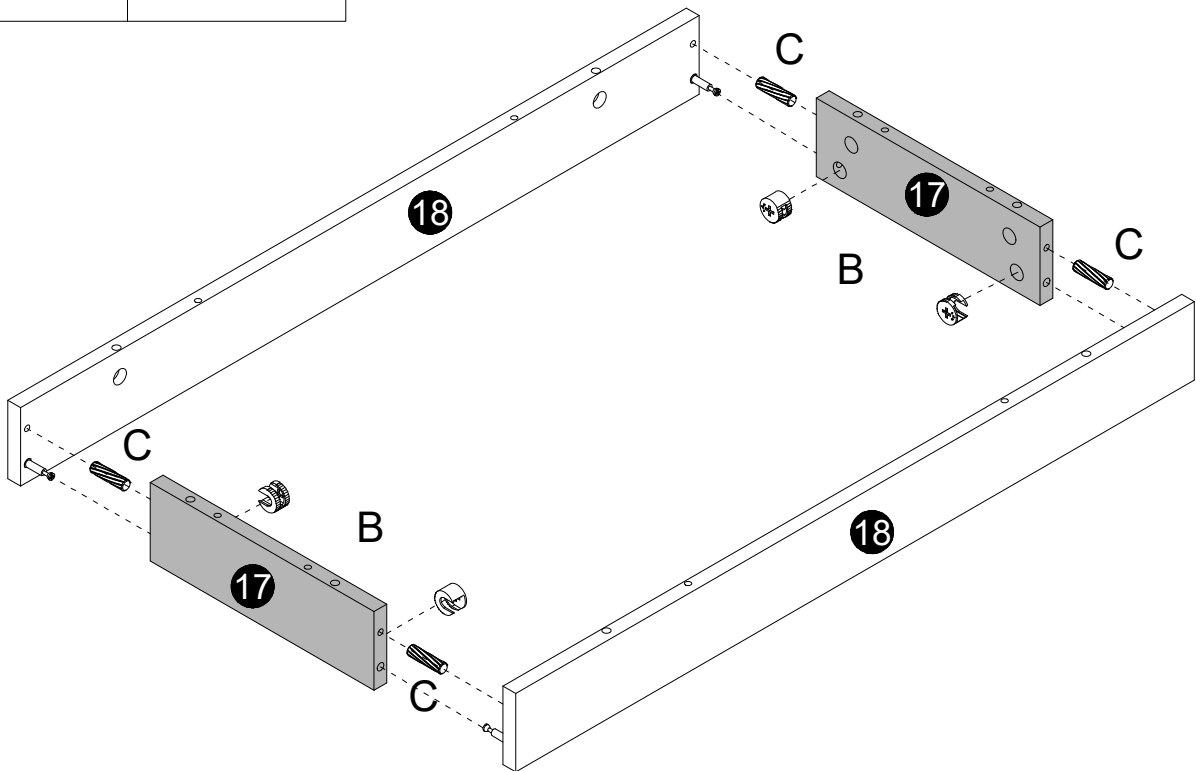
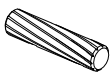
A x4



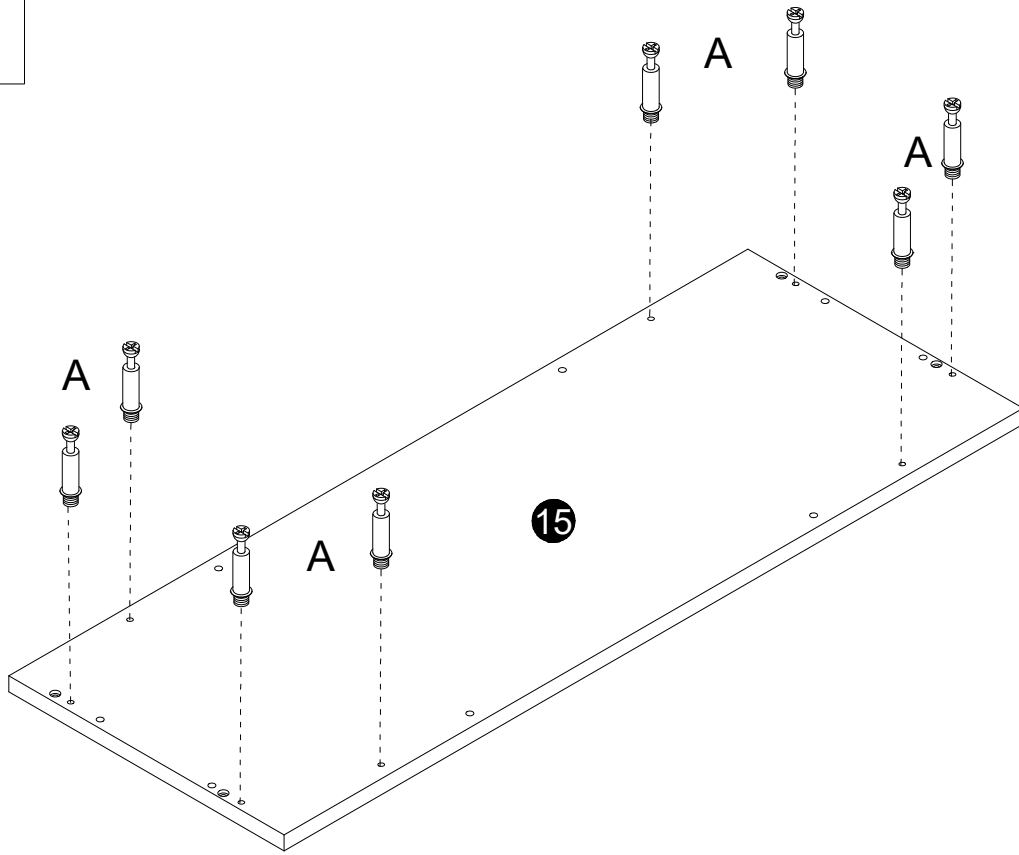
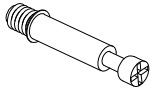
B x4



C x4



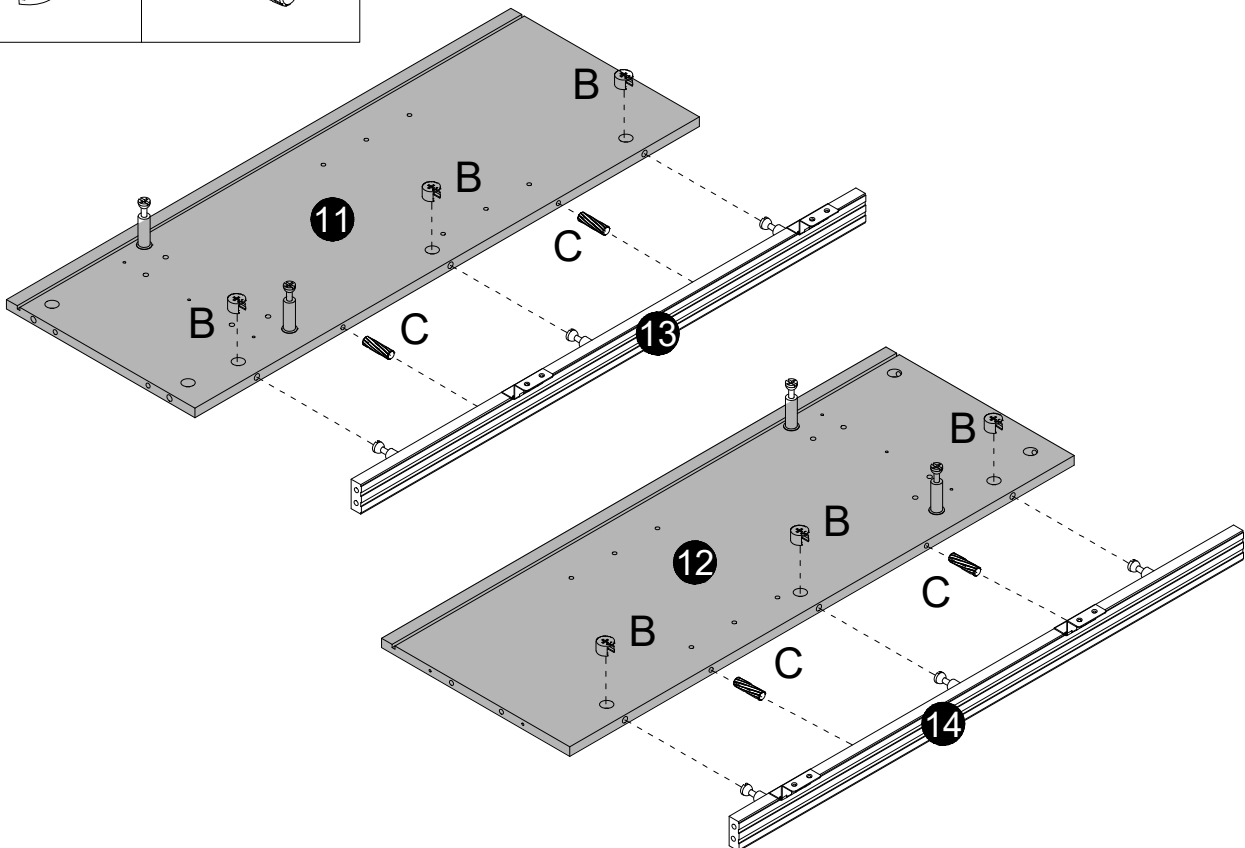
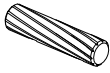
A x8



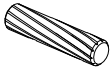
B x6



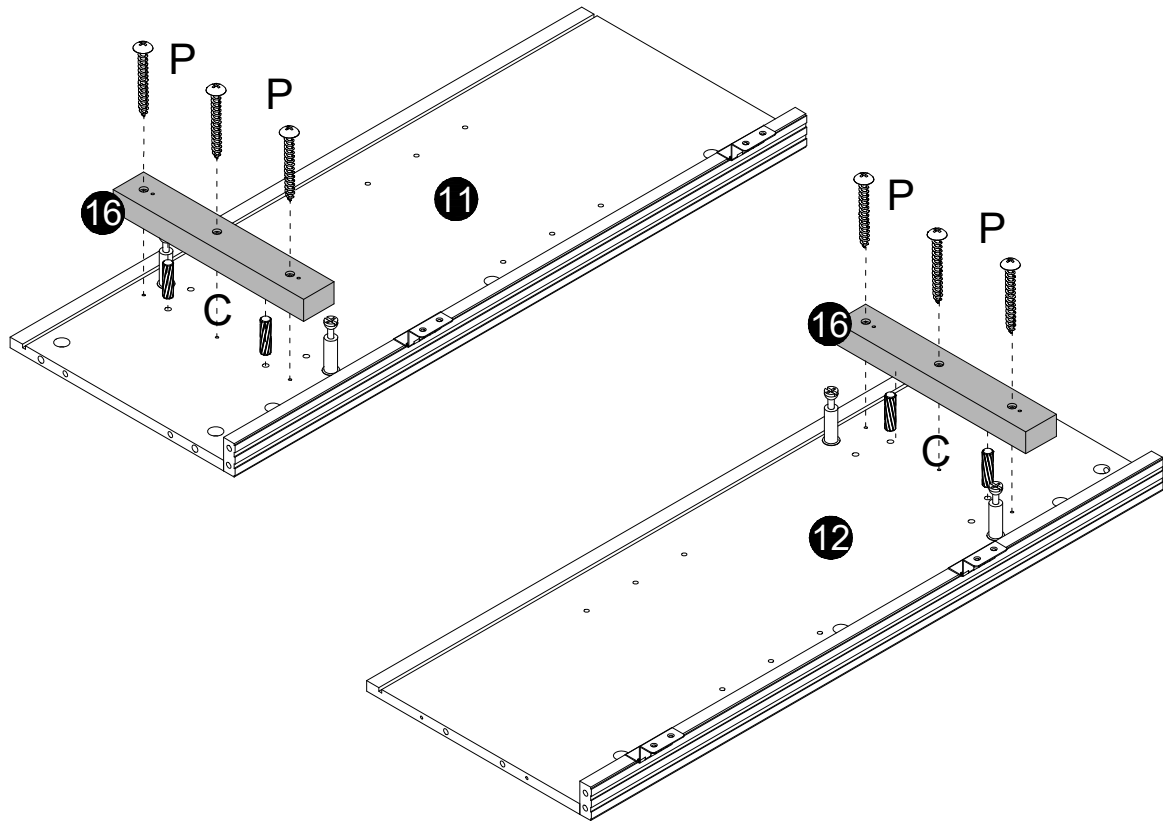
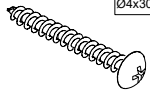
C x4



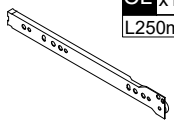
C x4



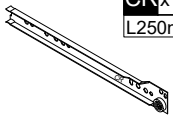
P x6
Ø4x30mm



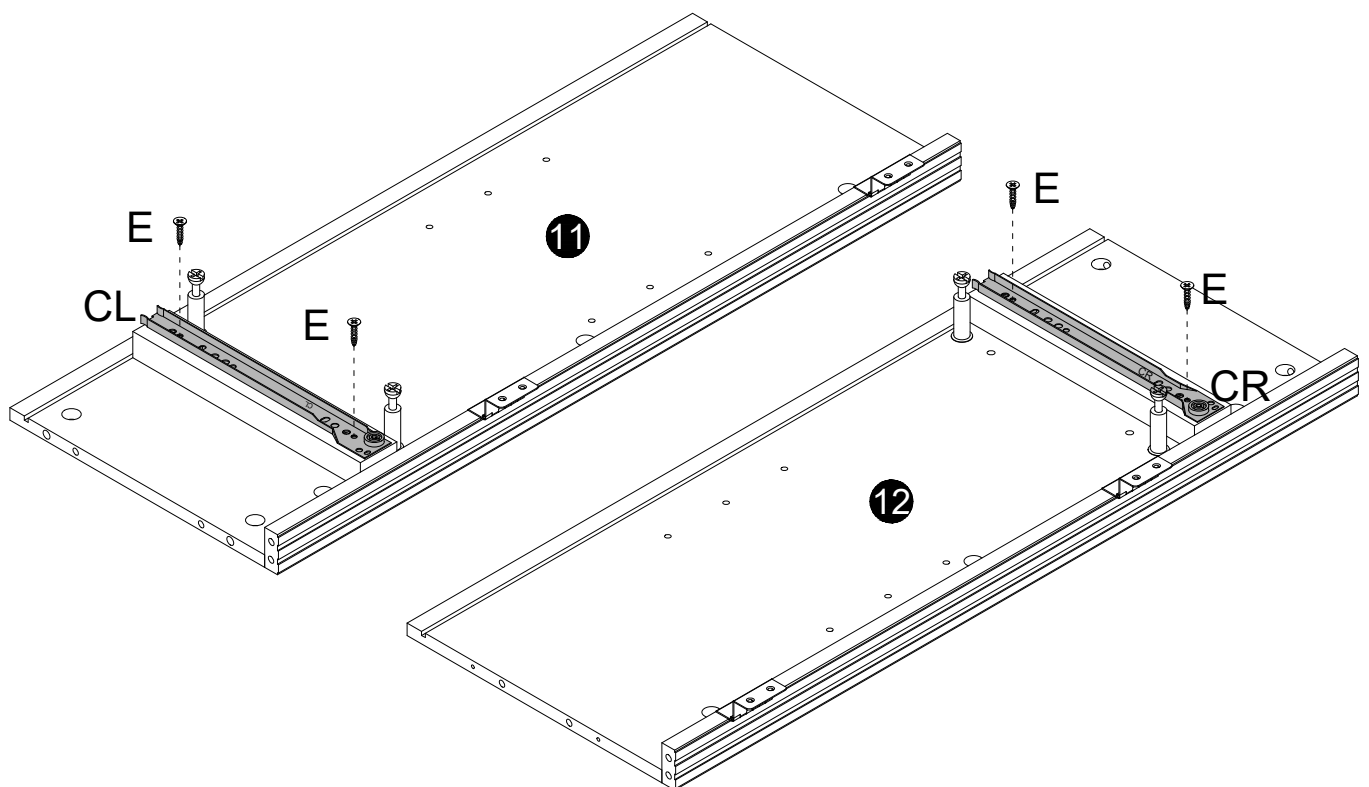
CL x1
L250mm

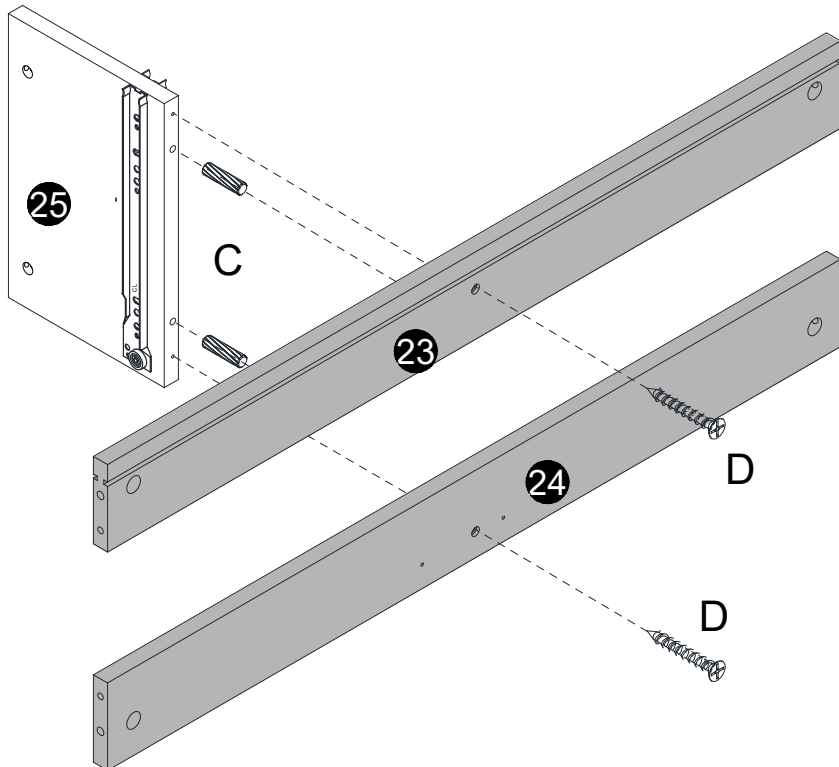
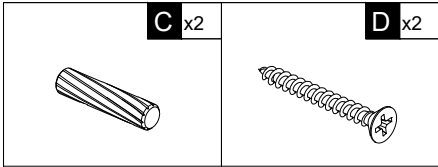
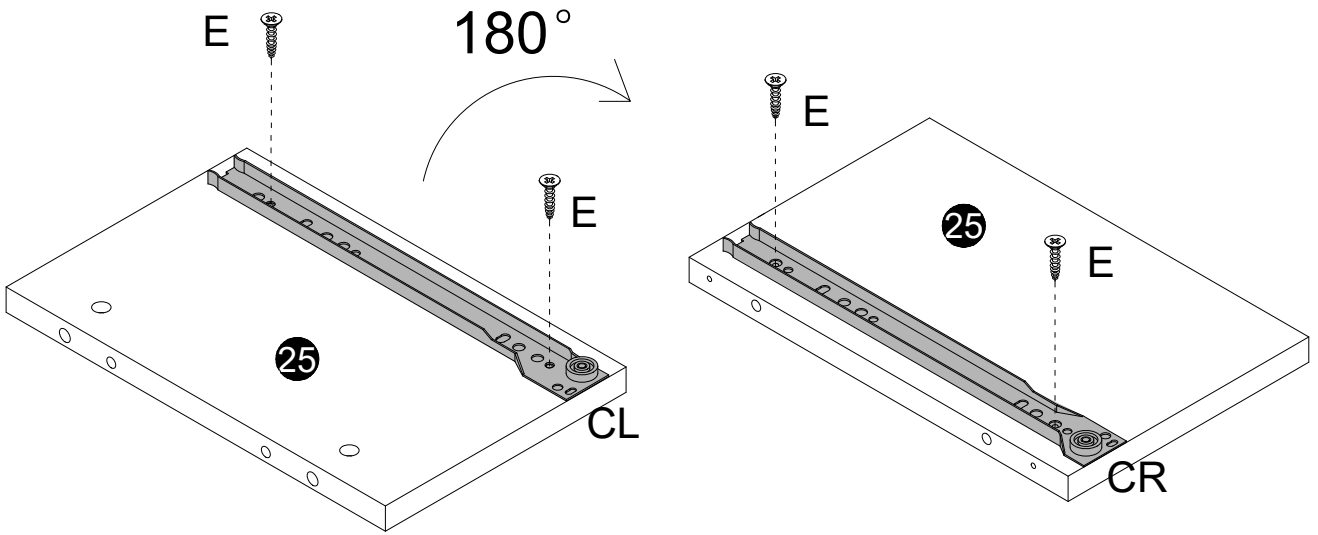
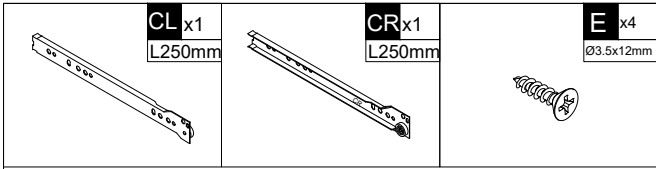


CR x1
L250mm



E x4
Ø3.5x12mm

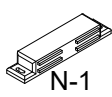




B x4

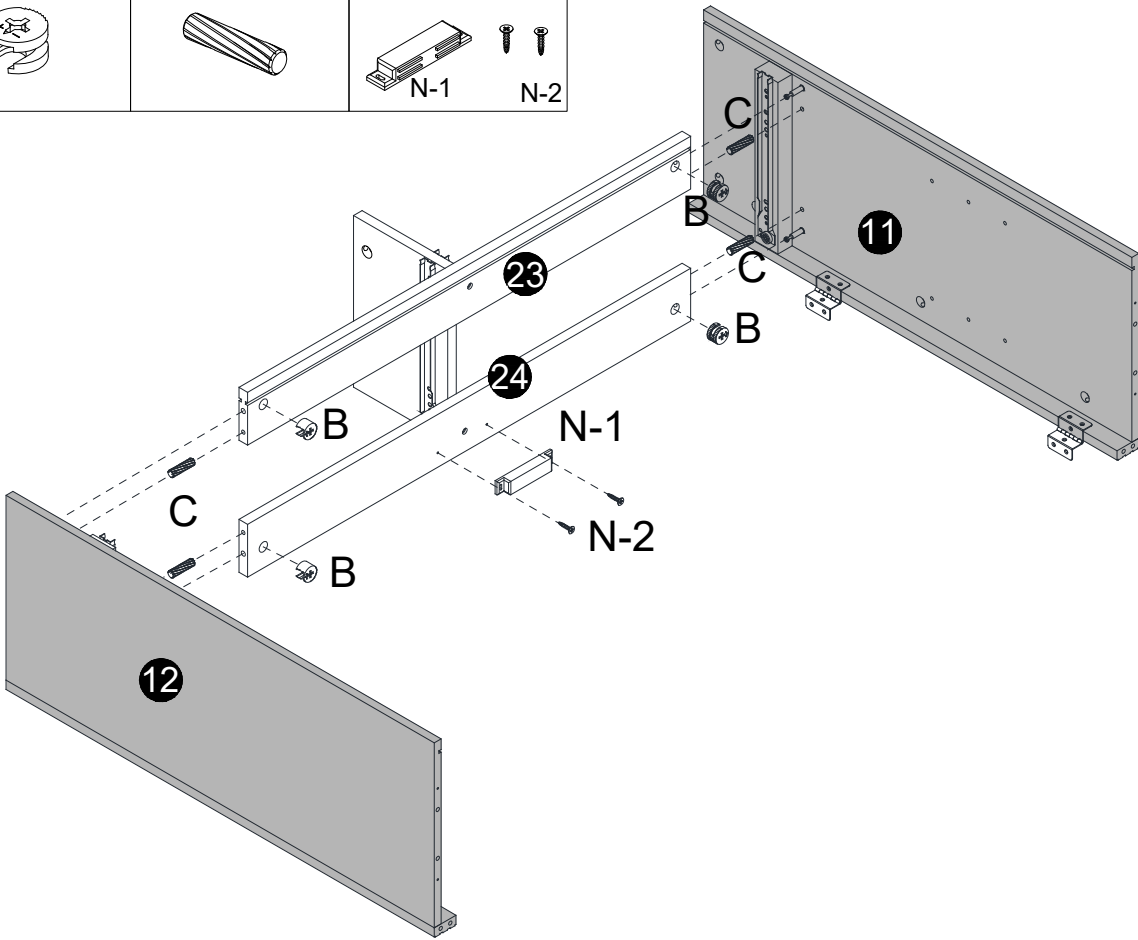
C x4

N x1



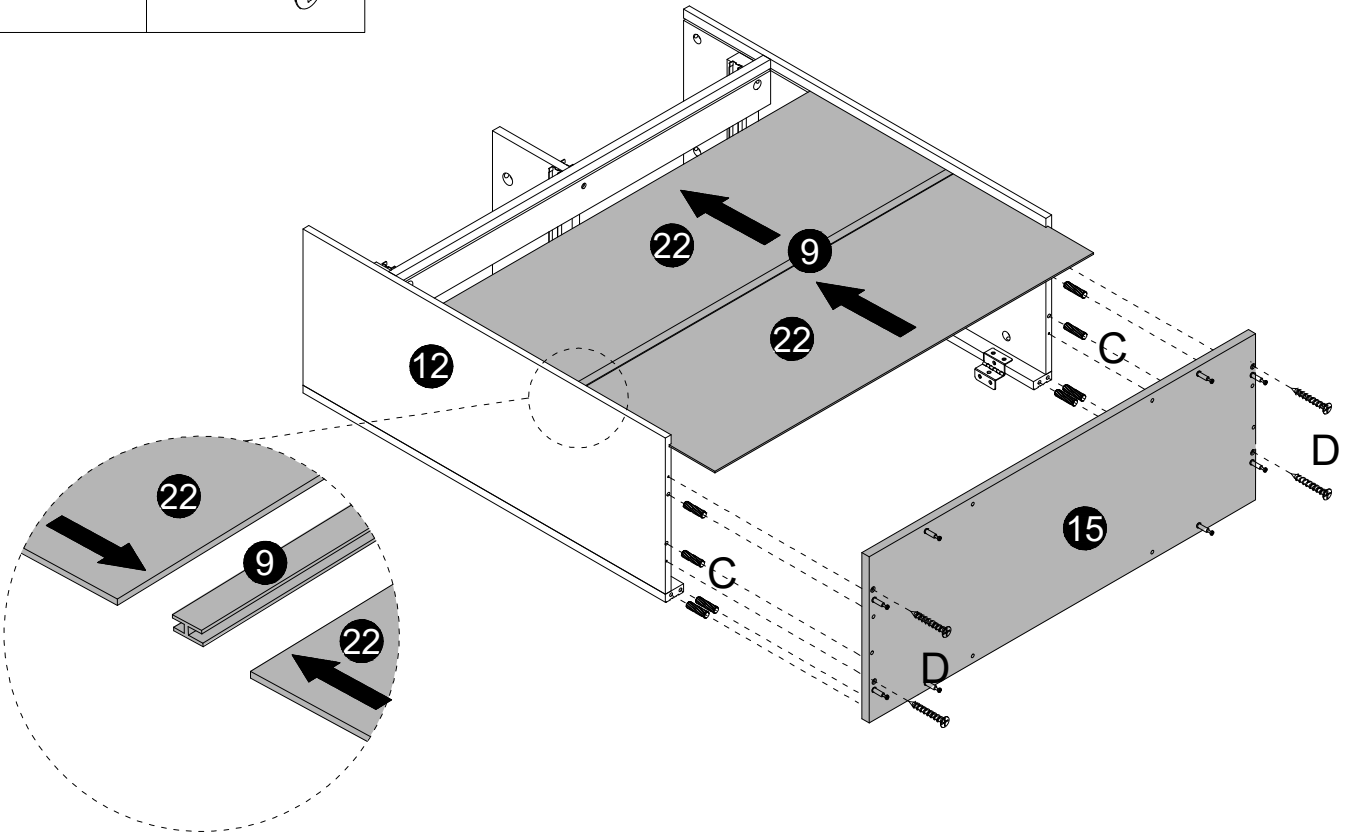
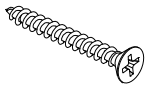
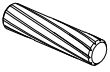
N-1

N-2



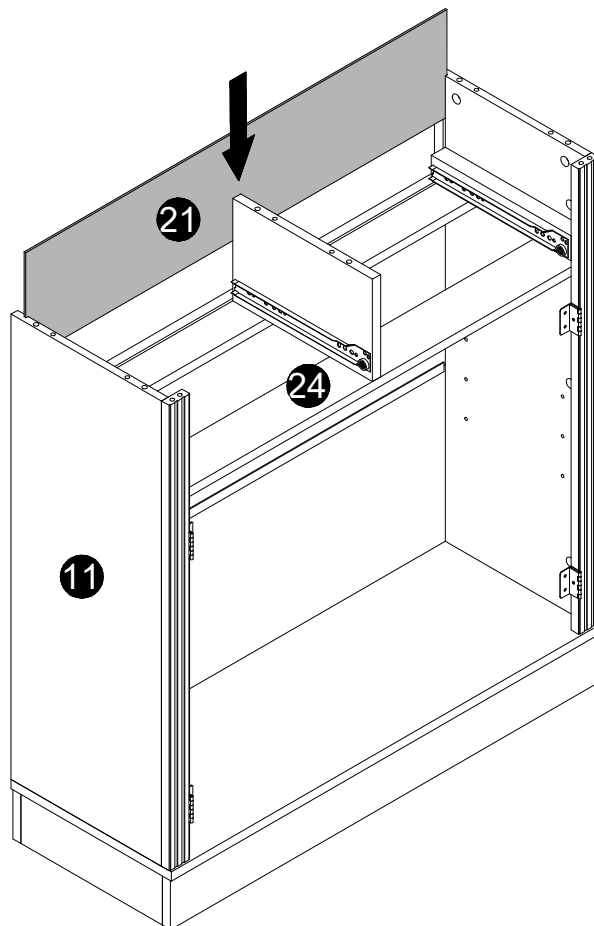
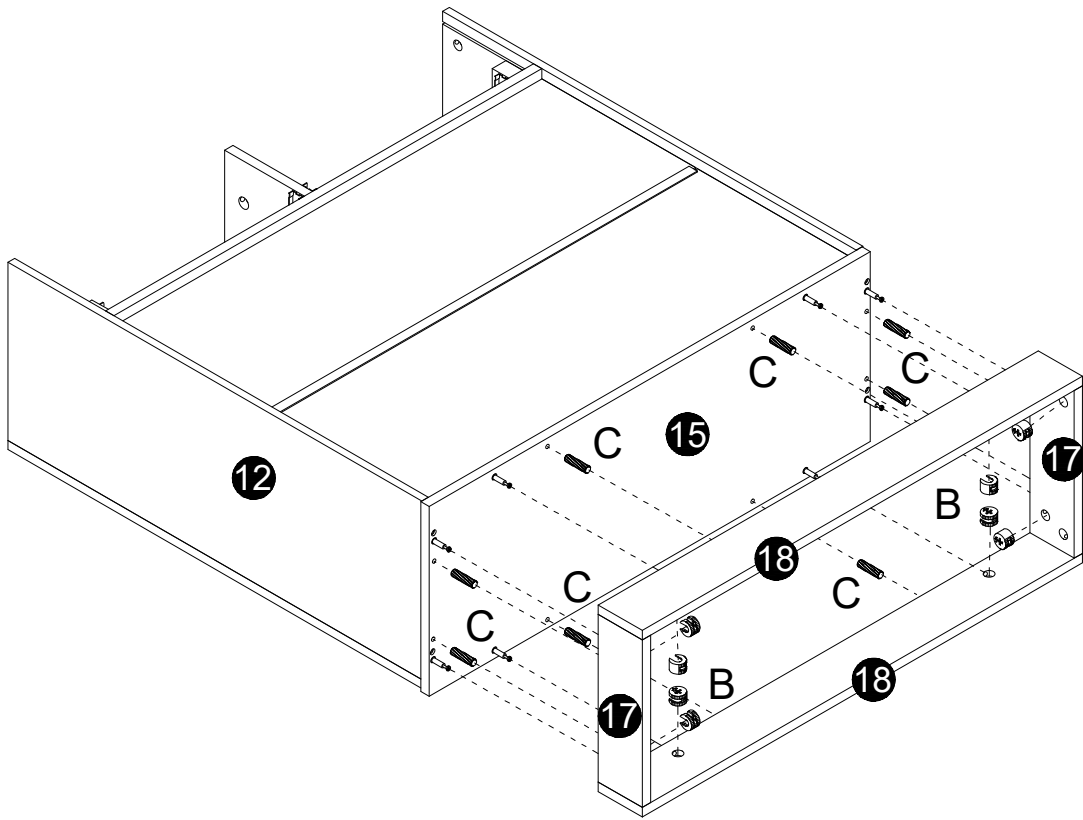
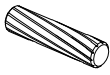
C x8

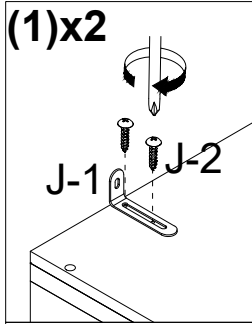
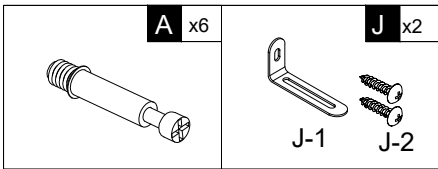
D x4



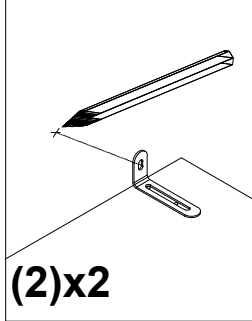
B x8

C x8

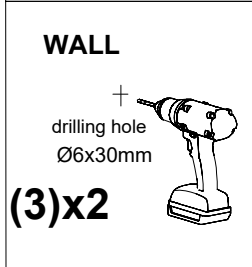




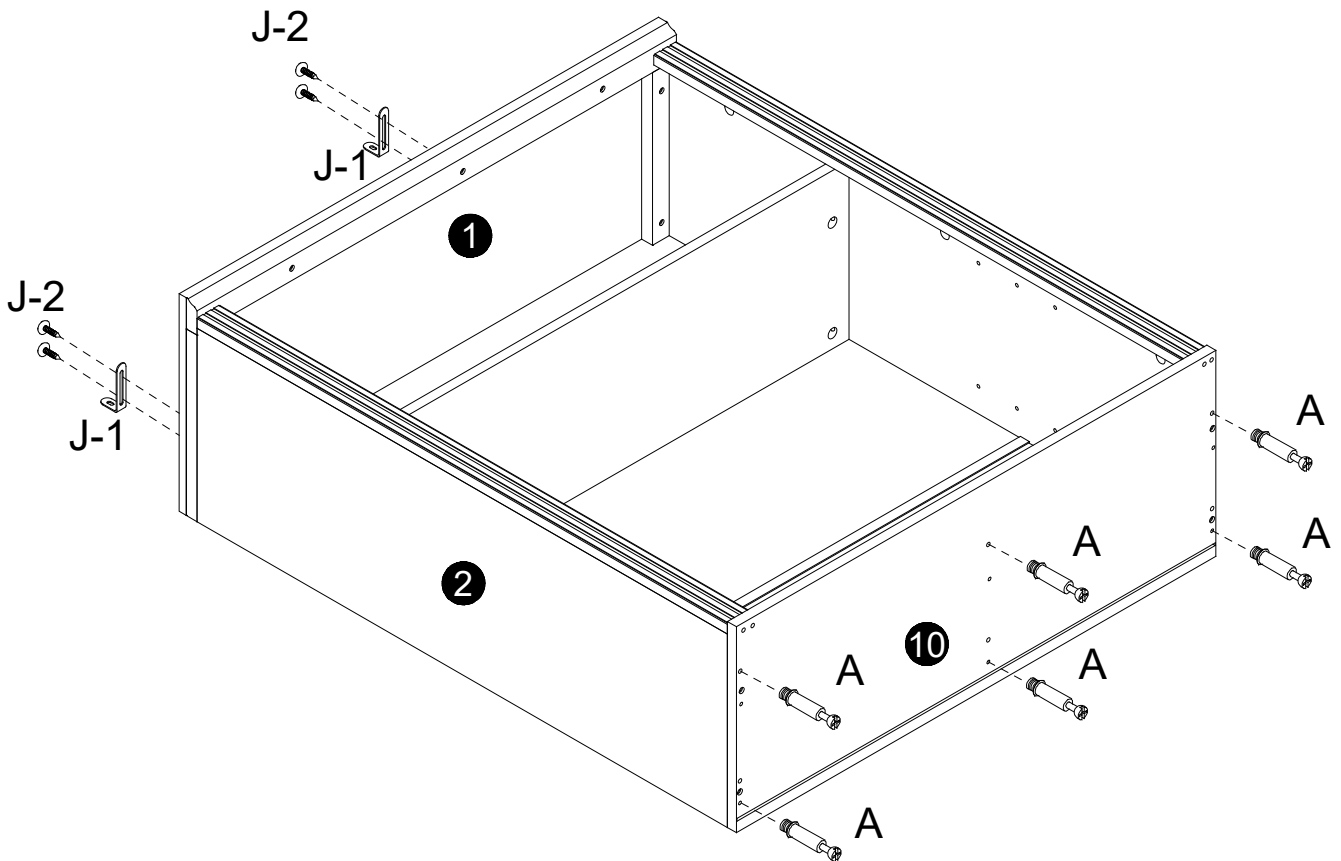
First fix the anti-rewind screw in the reserved hole of the product.



then, use a ruler to measure the approximate height of the product on the wall, and then mark it with a pen.

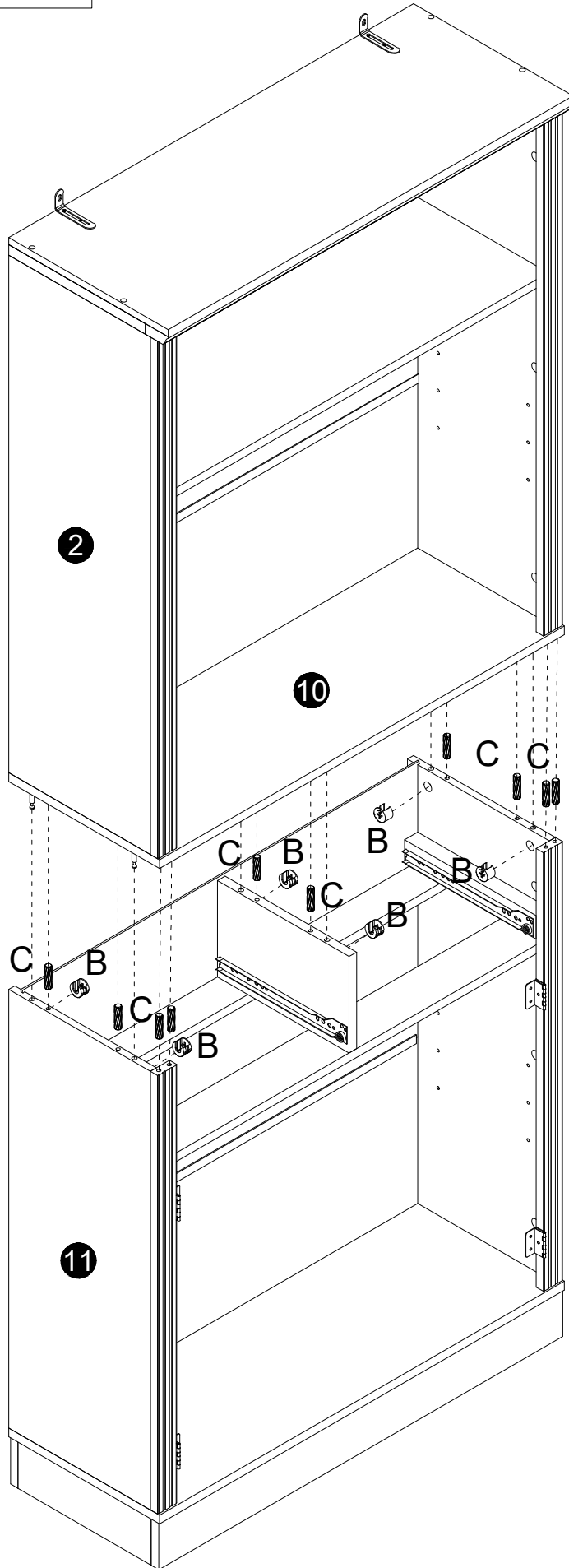
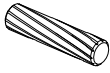


Then use a tape drill to make holes in the wall that are suitable for the product screws.



B x6

C x10



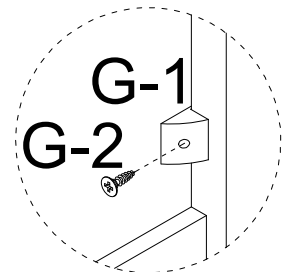
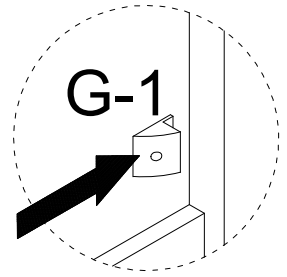
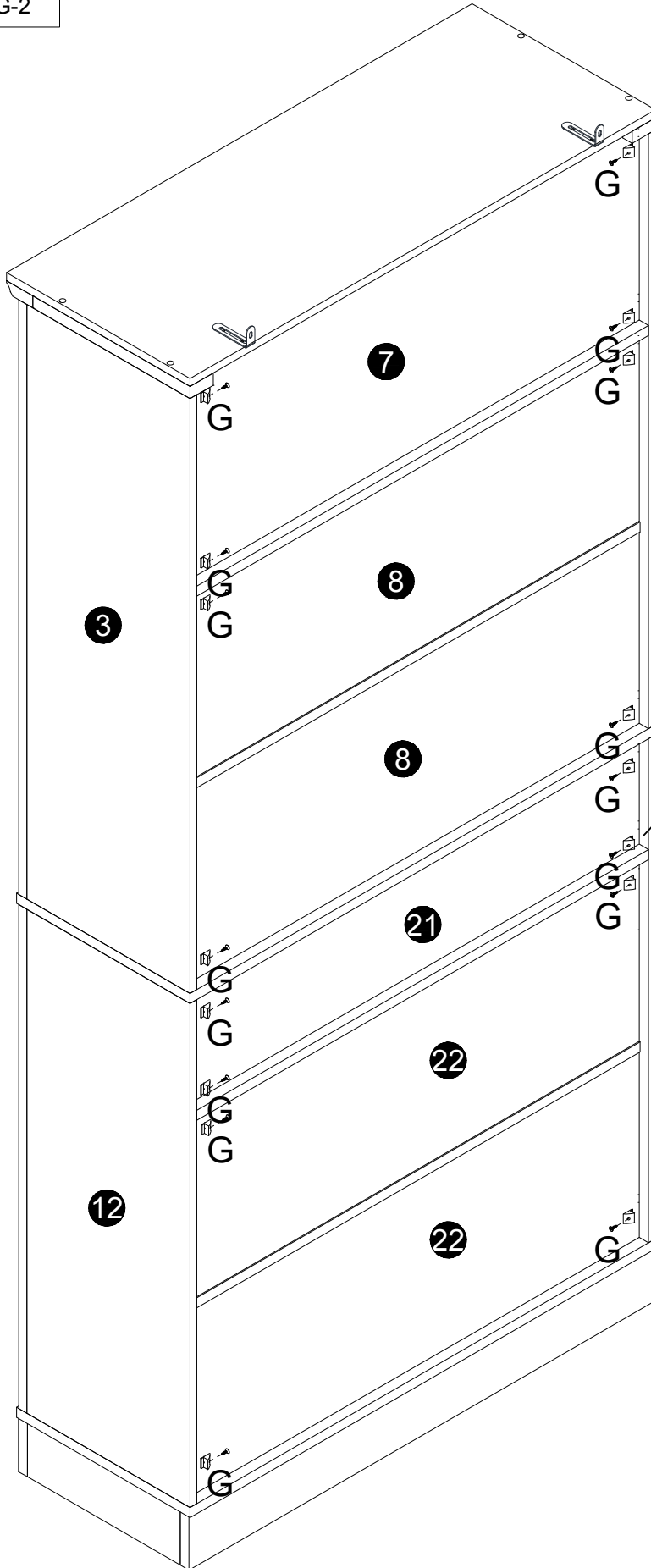
G x16

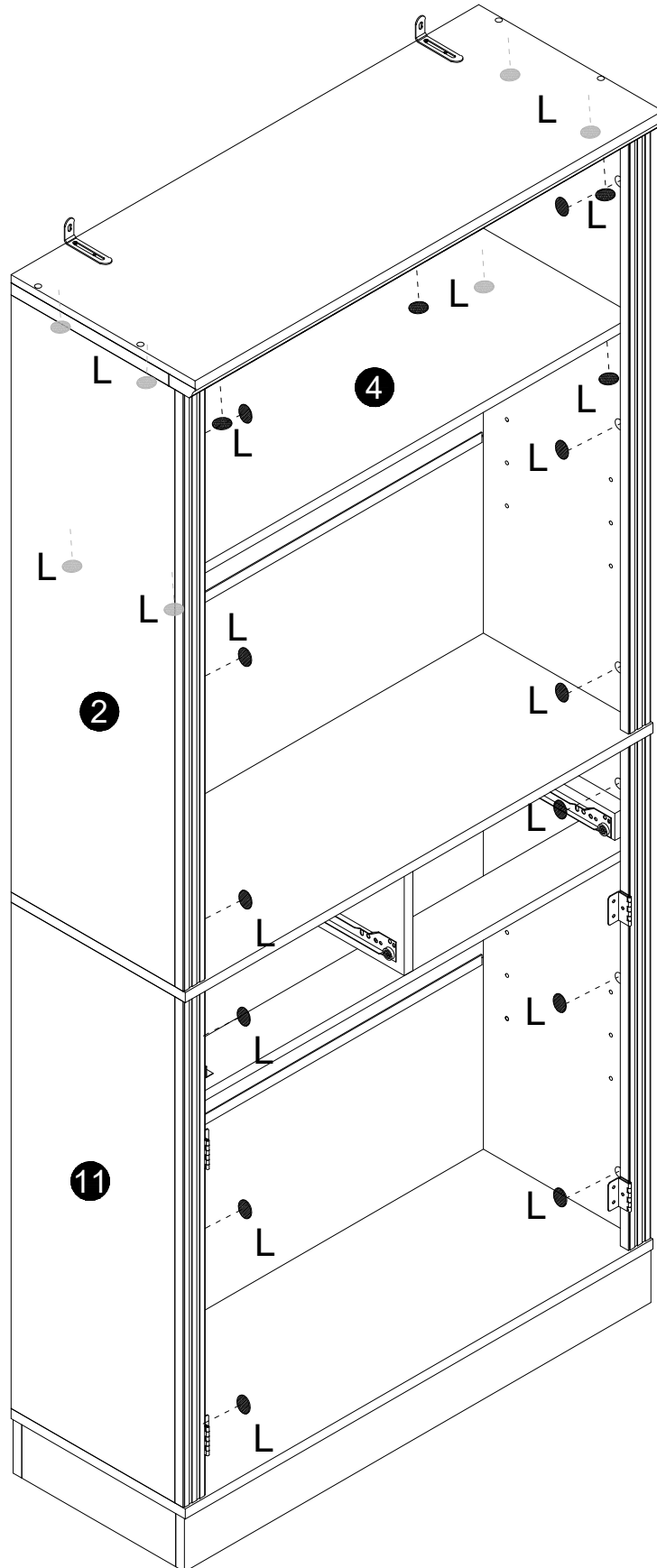


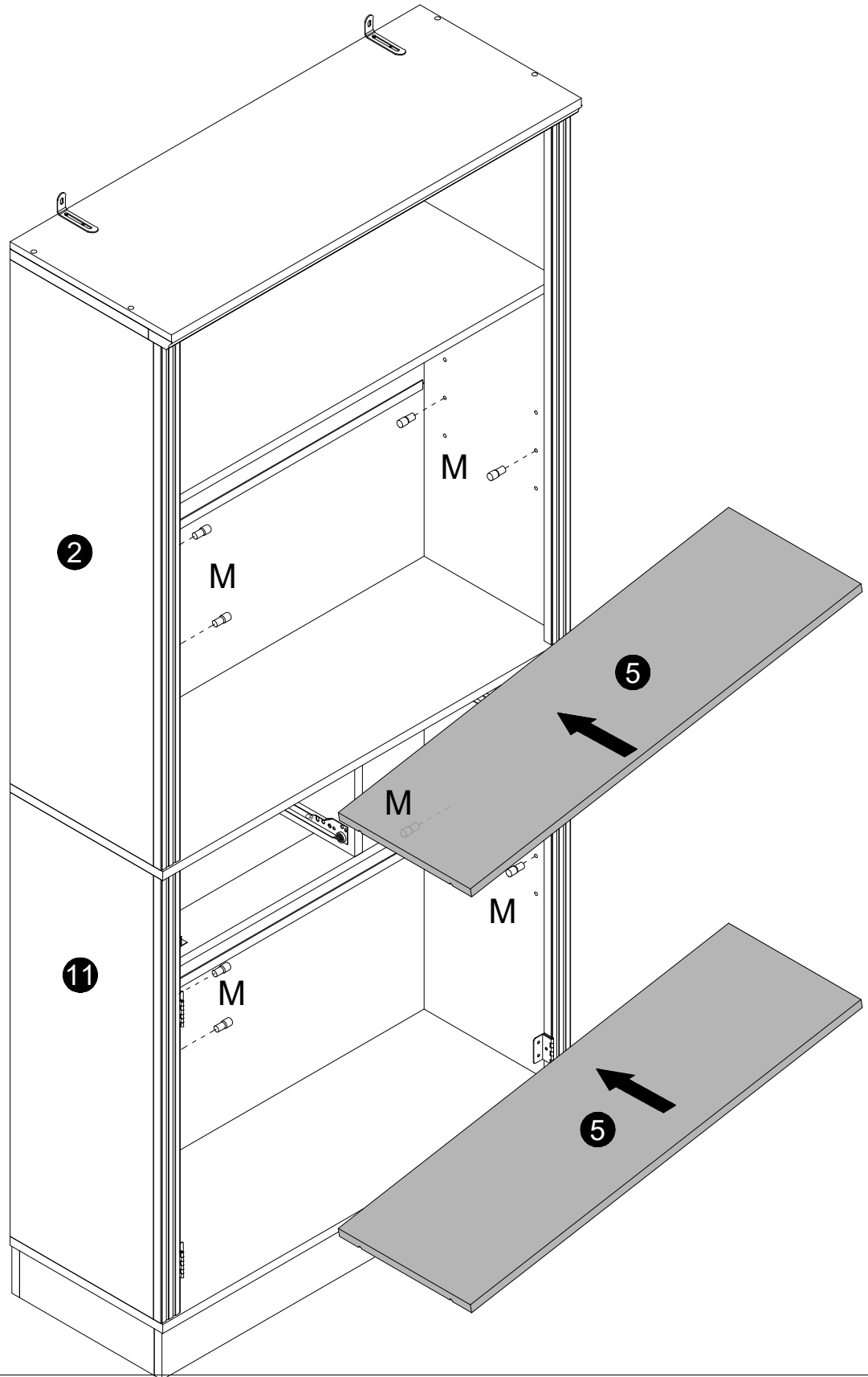
G-1



G-2





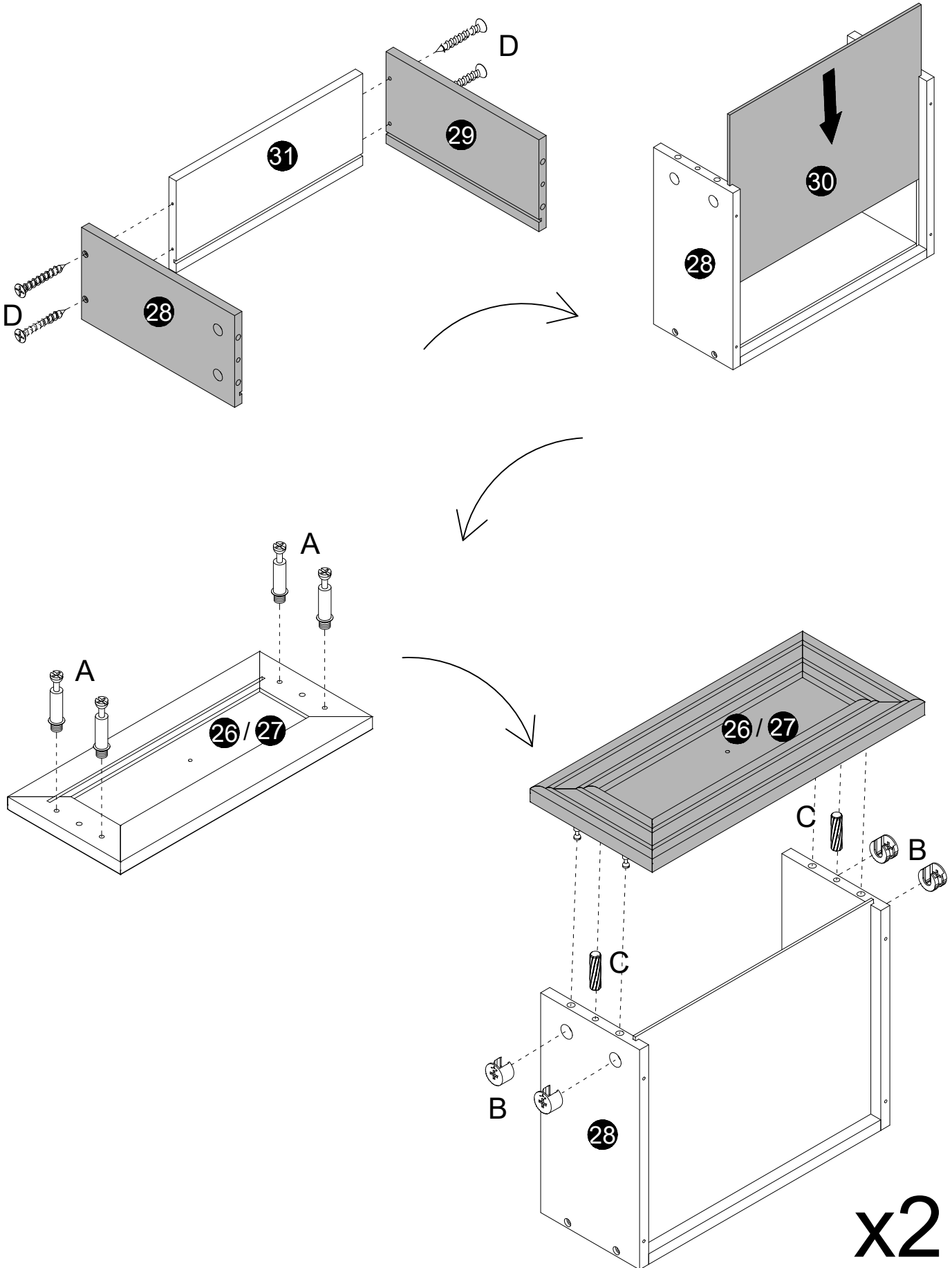
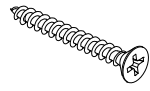
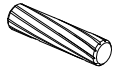
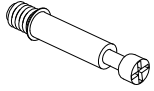


A x8

B x8

C x4

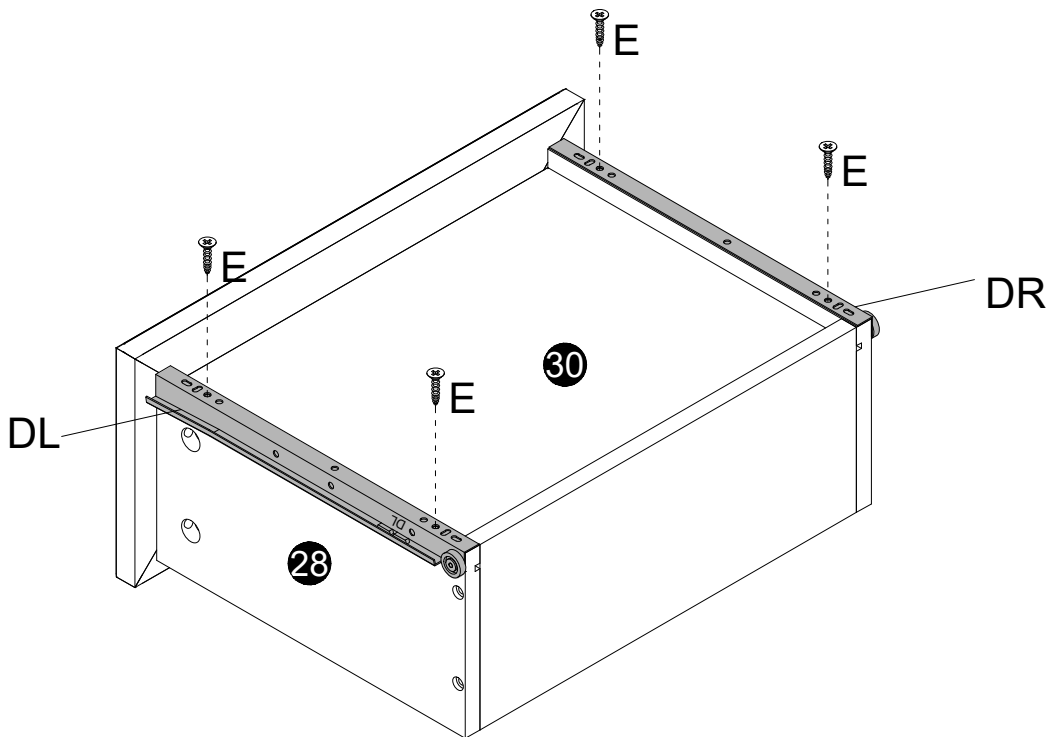
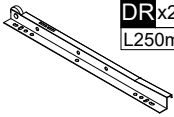
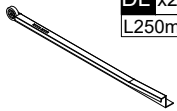
D x8



E x8
Ø3.5x12mm

DL x2
L250mm

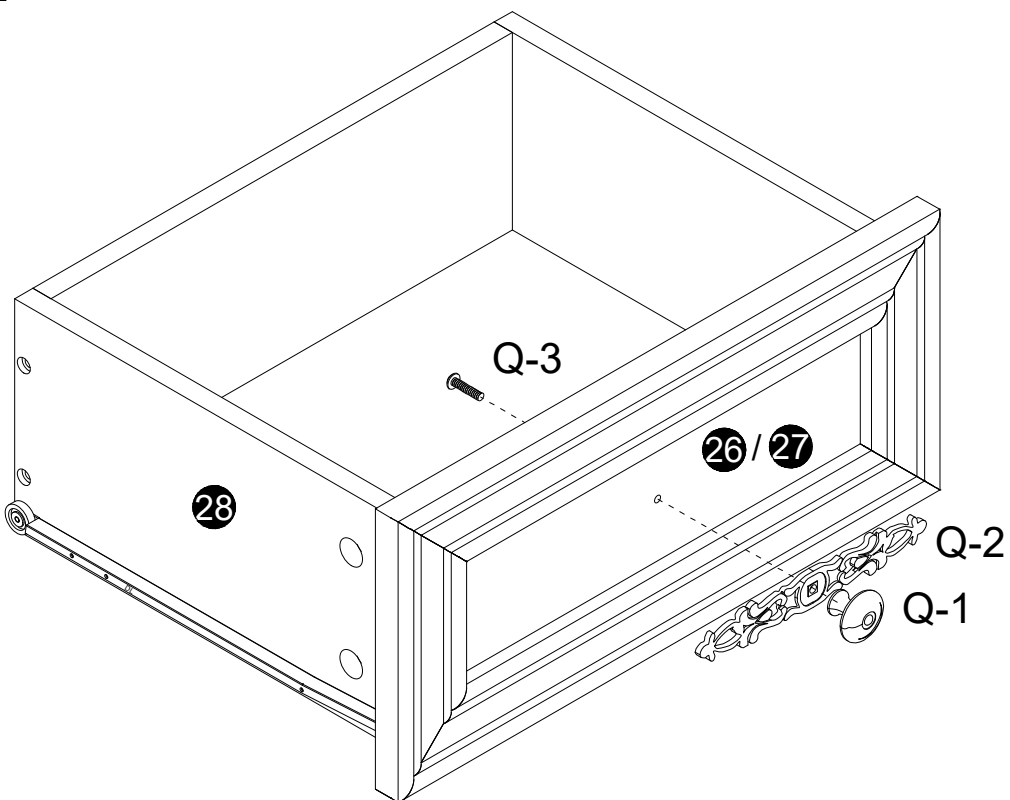
DR x2
L250mm



x2

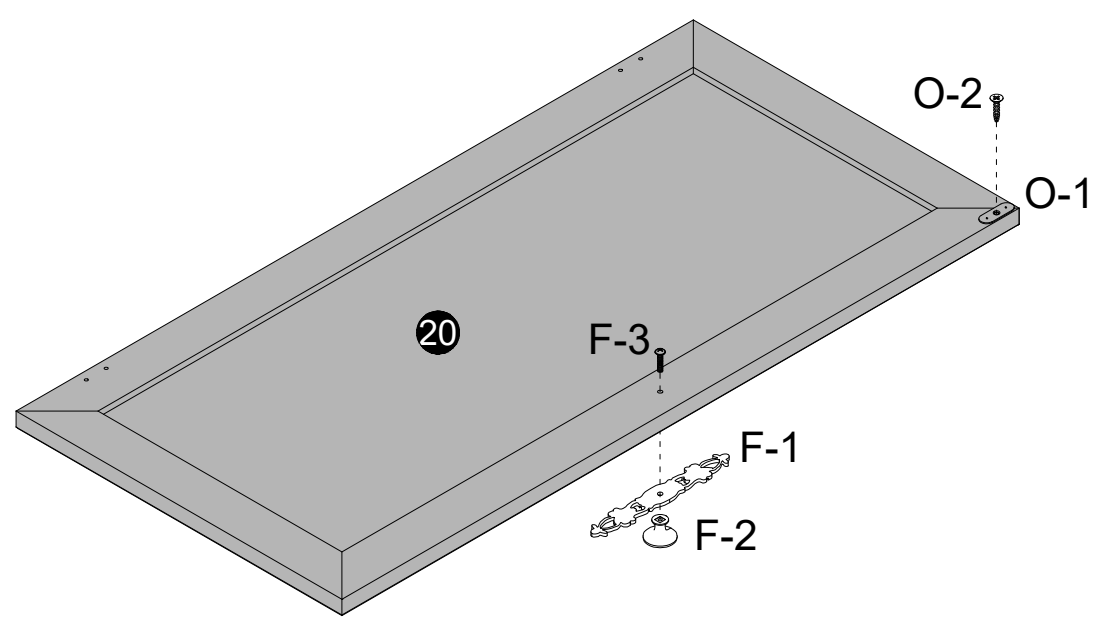
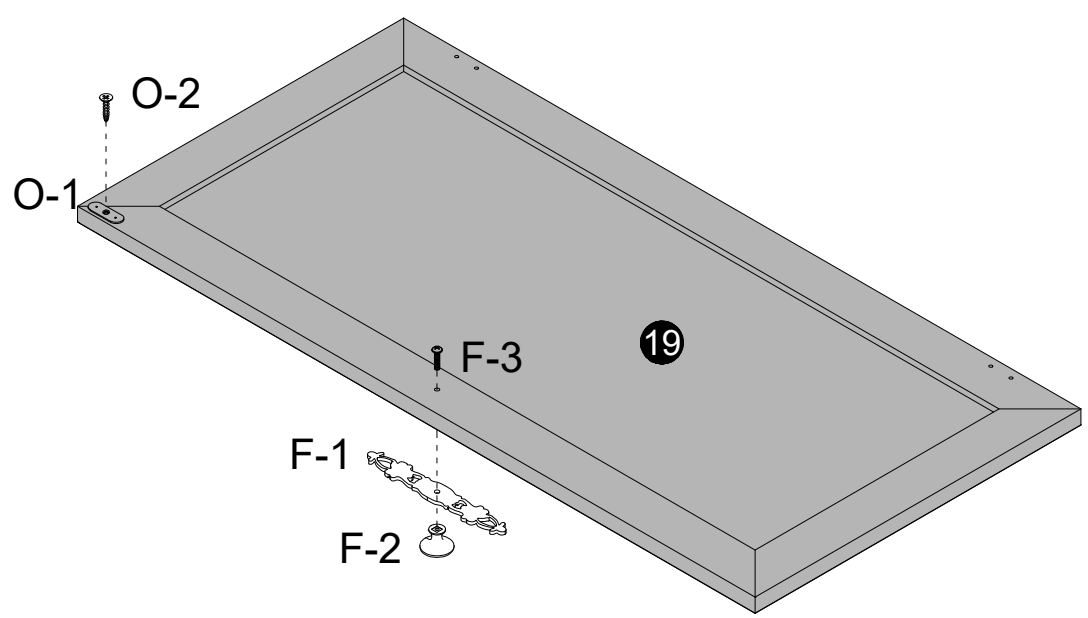
Q x2

Q-1 Q-2 Q-3

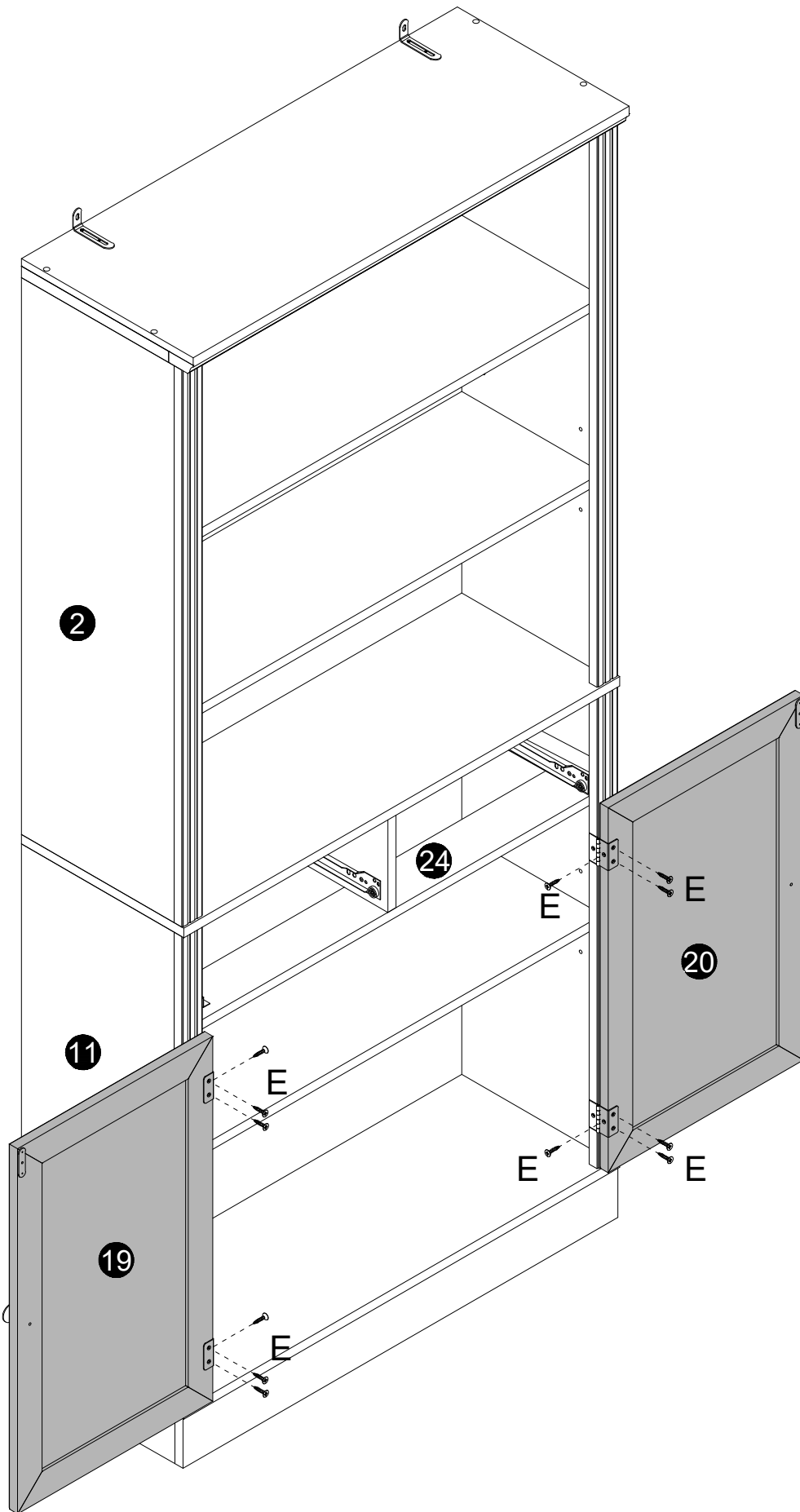


x2

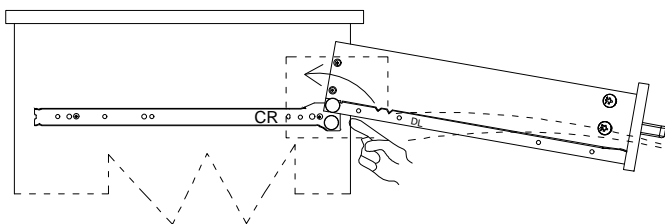
F x2			O x2	
F-1	F-2	F-3	O-1	O-2



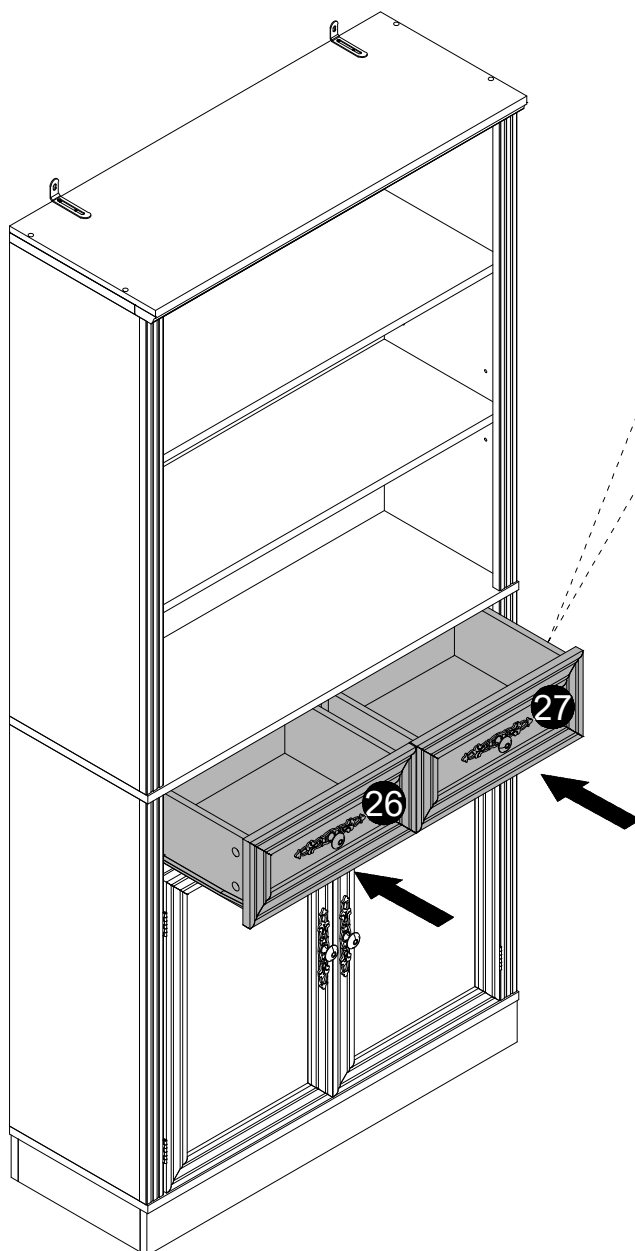
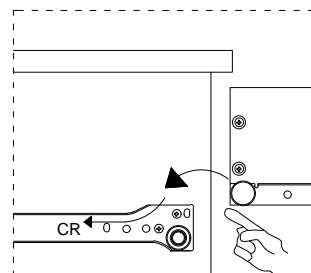
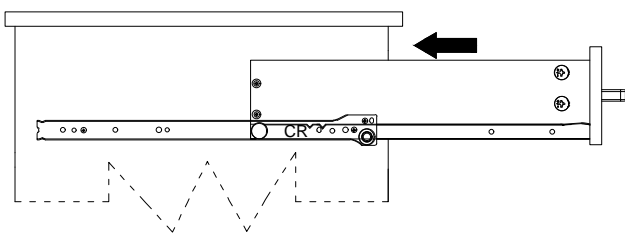
E x12
Ø3.5x12mm



(1)

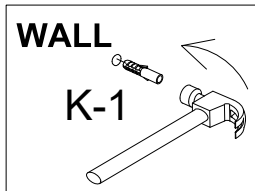
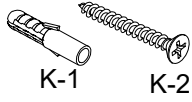


(2)



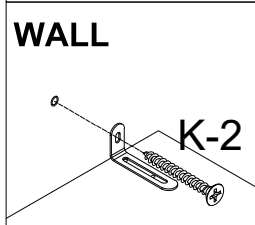
Done

K x2



Then, put the expansion bolt into the hole

(4)x2



Finally, pass the matching screws through the "anti-rewind" and tighten them to fix them on the wall.

(5)x2

