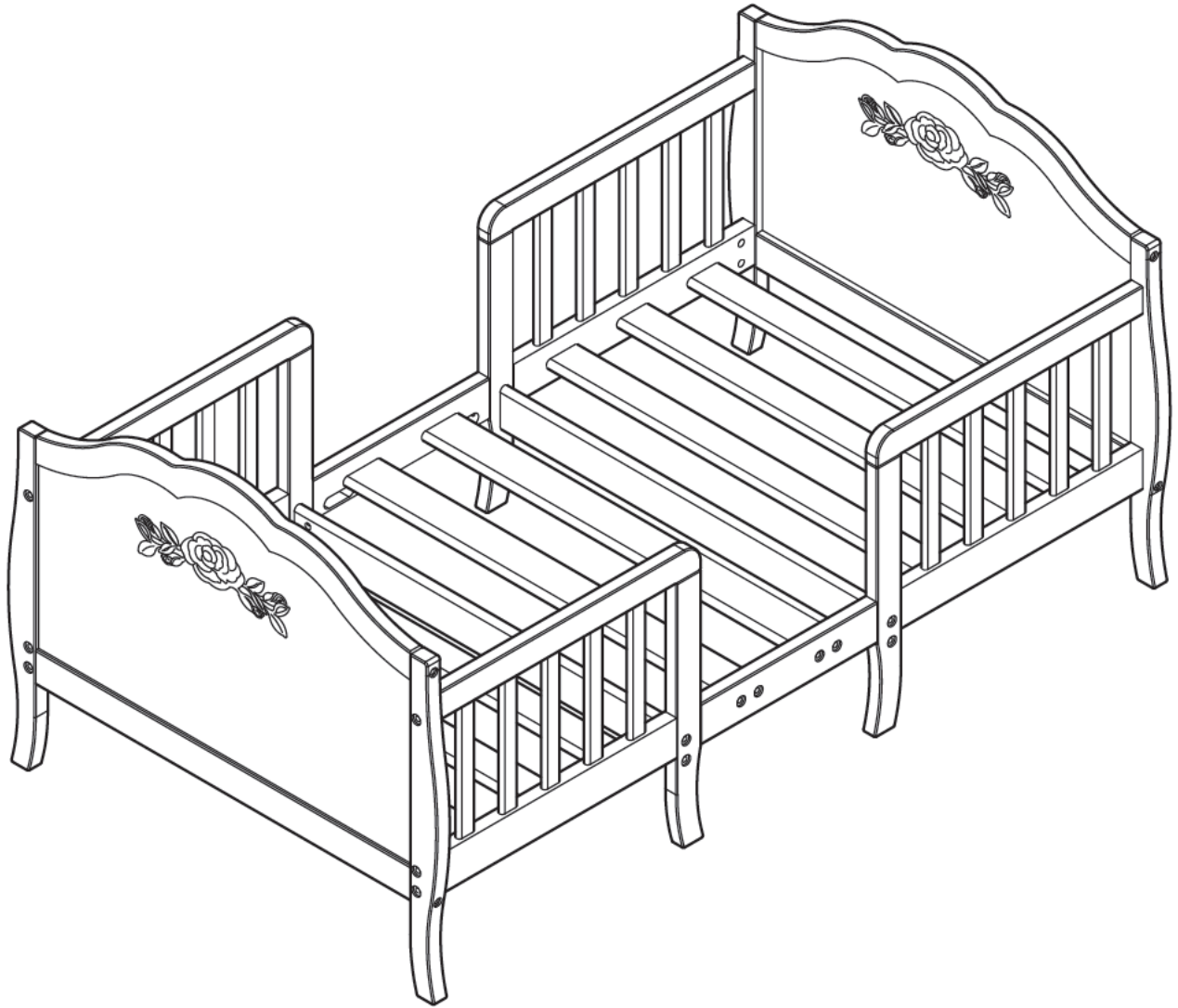


Convertible Toddler Bed

Owner's Manual



Read all instructions before
assembling and using product.
IMPORTANT - Keep instructions for
future use.

SAFE SLEEP TIPS



Adult Assembly
Required.



Small parts may
present choking
hazard prior to
assembly.



DO NOT use the
product if it is
damaged, broken,
and/or components are
missing or broken.



Please read the
instructions
thoroughly. Identify all
parts & hardware.



Do Not Use Power
Drills or Drivers.



To protect your parts
during assembly,
please place them on a
soft surface.



For a Safe and
comfortable Sleep
experience, we
suggest using Dream
On Me/Evolur
Greenguard Gold
Certified Crib/Toddler
Mattress.



To clean surface, use
only water on a damp
cloth. Do not use
window cleaner or
cleaning abrasive as it
will scratch the surface
and could damage the
protective coating.

LIMITED WARRANTY:

- warrants its product to be free from defects in material and workmanship and agrees to remedy any such defect.
- This warranty covers 1 year from the date of original purchase.
- This warranty is valid only upon presentation of proof of purchase.
- This is solely limited to the repair or replacement of defective furniture components and no assembly labor is included.
- This warranty does not apply to any product which has been improperly assembled, subjected to misuse or abuse or which has been altered or repaired in any way.
- This warranty gives you specific legal rights and you may also have other rights which vary from State to State.

WARNINGS

- FAILURE TO FOLLOW THESE WARNINGS AND ASSEMBLY INSTRUCTIONS COULD RESULT IN SERIOUS INJURY OR DEATH.
- CHECK THIS PRODUCT FOR DAMAGED HARDWARE, LOOSE JOINTS, MISSING PARTS OR SHARP EDGES BEFORE AND AFTER ASSEMBLY AND FREQUENTLY DURING USE.
- **DO NOT** USE THIS TODDLER BED IF ANY PARTS ARE MISSING, DAMAGED OR BROKEN.

- **DO NOT** USE A WATER MATTRESS WITH THIS TODDLER BED.
- IF REFINISHING, USE A NON-TOXIC FINISH SPECIFIED FOR CHILDREN'S PRODUCTS.

STRANGULATION HAZARD:

- TO HELP PREVENT STRANGULATION TIGHTEN ALL FASTENERS. A CHILD CAN TRAP PARTS OF BODY OR CLOTHING ON LOOSE FASTENERS.
- **DO NOT** PLACE TODDLER BED NEAR WINDOW WHERE CORDS FROM BLINDS OR DRAPES MAY STRANGLE A CHILD.
- NEVER ADD A PILLOW, COMFORTER OR PADDING.
- NEVER USE PLASTIC SHIPPING BAGS OR ANY PLASTIC FILM AS MATTRESS COVERS, BECAUSE THEY CAN CAUSE SUFFOCATION.
- TODDLERS CAN SUFFOCATE IN GAPS BETWEEN THE SIDES OF THE TODDLER BED AND A MATTRESS THAT IS TOO SMALL. ANY MATTRESS USED IN THIS TODDLER BED MUST BE AT LEAST 27-1/4 IN (69 CM) BY 51-5/8 IN (131 CM), WITH A THICKNESS NOT EXCEEDING 6 IN (15CM) AND A MINIMUM THICKNESS OF 4 IN (10 CM). THE DIMENSIONS OF THE MATTRESS SHALL BE TAKEN FROM SEAM TO SEAM OR EDGE TO EDGE WHERE APPROPRIATE.

FALL HAZARD:

- WHEN STORING A TODDLER BED, USE CAUTION AS EXTREME CHANGES IN TEMPERATURE OR HUMIDITY CAN COMPROMISE THE TODDLER BED, MAKING IT EXTREMELY DANGEROUS TO YOUR CHILD.
- USE CAUTION WHEN A VAPORIZER OR HUMIDIFIER IS IN USE. ALWAYS AIM VAPOR AWAY FROM THE TODDLER BED AS WELL AS ANY OTHER WOODEN FURNITURE. PROLONGED PERIODS OF HUMIDITY IN STORAGE AS WELL AS IN THE HOME CAN COMPROMISE THE TODDLER BED.
- AVOID USING VAPORIZERS AND HUMIDIFIERS FOR PROLONGED PERIODS.

WARNINGS (cont.)

- DO NOT USE THIS TODDLER BED IF YOU CANNOT FOLLOW THE ACCOMPANYING INSTRUCTIONS.
- DO NOT PLACE IN OR NEAR THIS TODDLER BED ANY CORD, STRAP, OR SIMILAR ITEM THAT COULD GET WRAPPED AROUND A TODDLER'S NECK.
- DO NOT PLACE THIS TODDLER BED NEAR A WINDOW OR A PATIO DOOR WHERE THE TODDLER COULD REACH THE CORD OF A BLIND OR CURTAIN AND GET STRANGLERED.
- CHECK THIS TODDLER BED REGULARLY BEFORE USING IT. DO NOT USE IT IF ANY PARTS ARE LOOSE OR MISSING OR THERE ARE ANY SIGNS OF DAMAGE. DO NOT SUBSTITUTE PARTS. CONTACT THE MANUFACTURER IF REPLACEMENT PARTS OR ADDITIONAL INSTRUCTIONS ARE NEEDED.
- USE A CRIB MATTRESS THAT IS NO THICKER THAN 15 CM AND IS OF SUCH A SIZE THAT, WHEN IT IS PUSHED FIRMLY AGAINST ANY SIDE OF THE TODDLER BED, IT DOES NOT LEAVE A GAP OF MORE THAN 3 CM BETWEEN THE MATTRESS AND ANY PART OF THE SIDES OF THE TODDLER BED.
- TODDLERS CAN SUFFOCATE ON SOFT BEDDING. DO NOT PLACE PILLOWS, COMFORTERS, OR SOFT MATTRESSES IN THIS TODDLER BED.

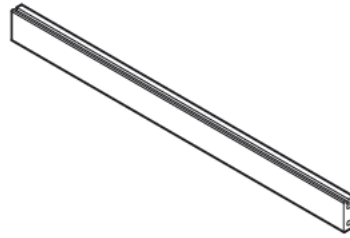
PARTS



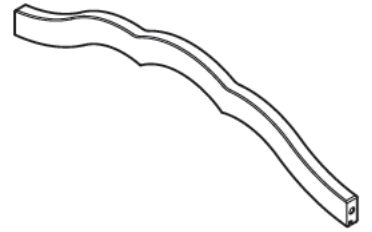
1 Left Headboard Leg



2 Right Headboard Leg



3 Headboard Bottom Rail



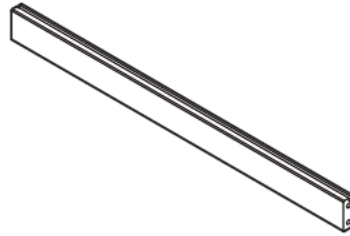
4 Headboard Top Rail



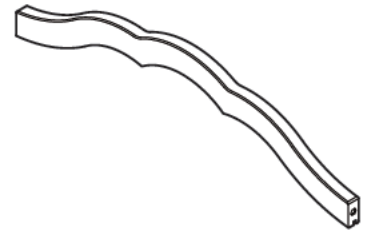
5 Left Footboard Leg



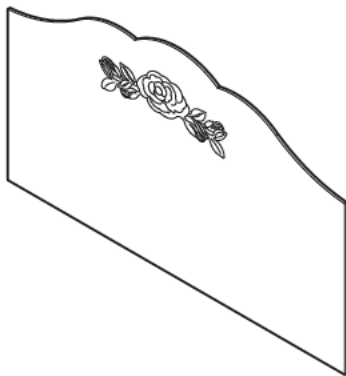
6 Right Footboard Leg



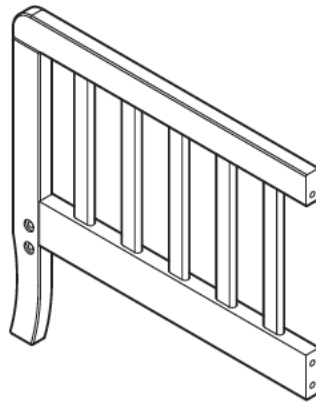
7 Footboard Bottom Rail



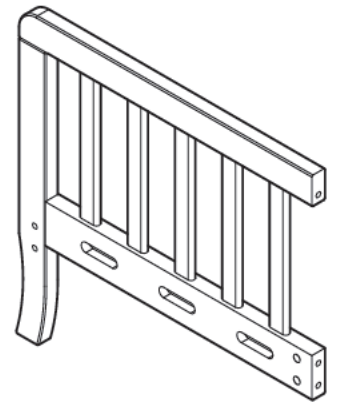
8 Footboard Top Rail



9 Footboard and Headboard Panels (x2)

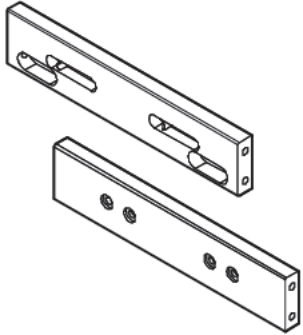


10 Right Guard Panel (x2)

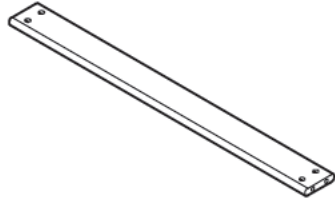


11 Left Guard Panel (x2)

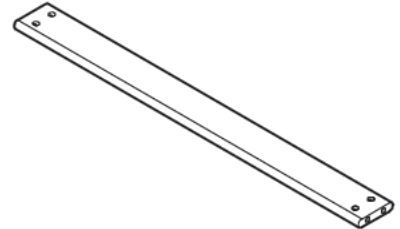
PARTS (cont.)



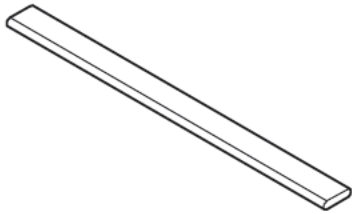
12 Center Bar (x2)



13 Center Bed Rail (x2)

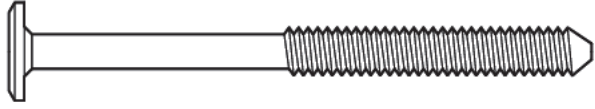


14 Bottom Bed Rail (x2)

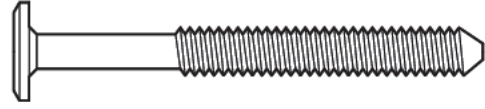


15 Bed Rail (x6)

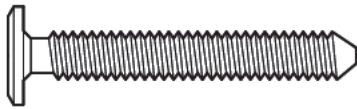
HARDWARE



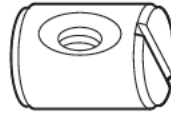
A Bolt 2-3/4" (x4)



B Bolt 2-1/8" (x28)



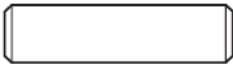
C Bolt 1-3/4" (x8)



D Barrel Nuts (x32)



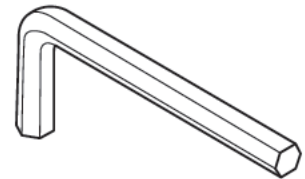
E Half Moon Washer (x4)



F Wooden Dowels
1-1/4" (x4)



G Wooden Dowels
1-5/8" (x4)



H Allen Key (x1)

Tools Needed:

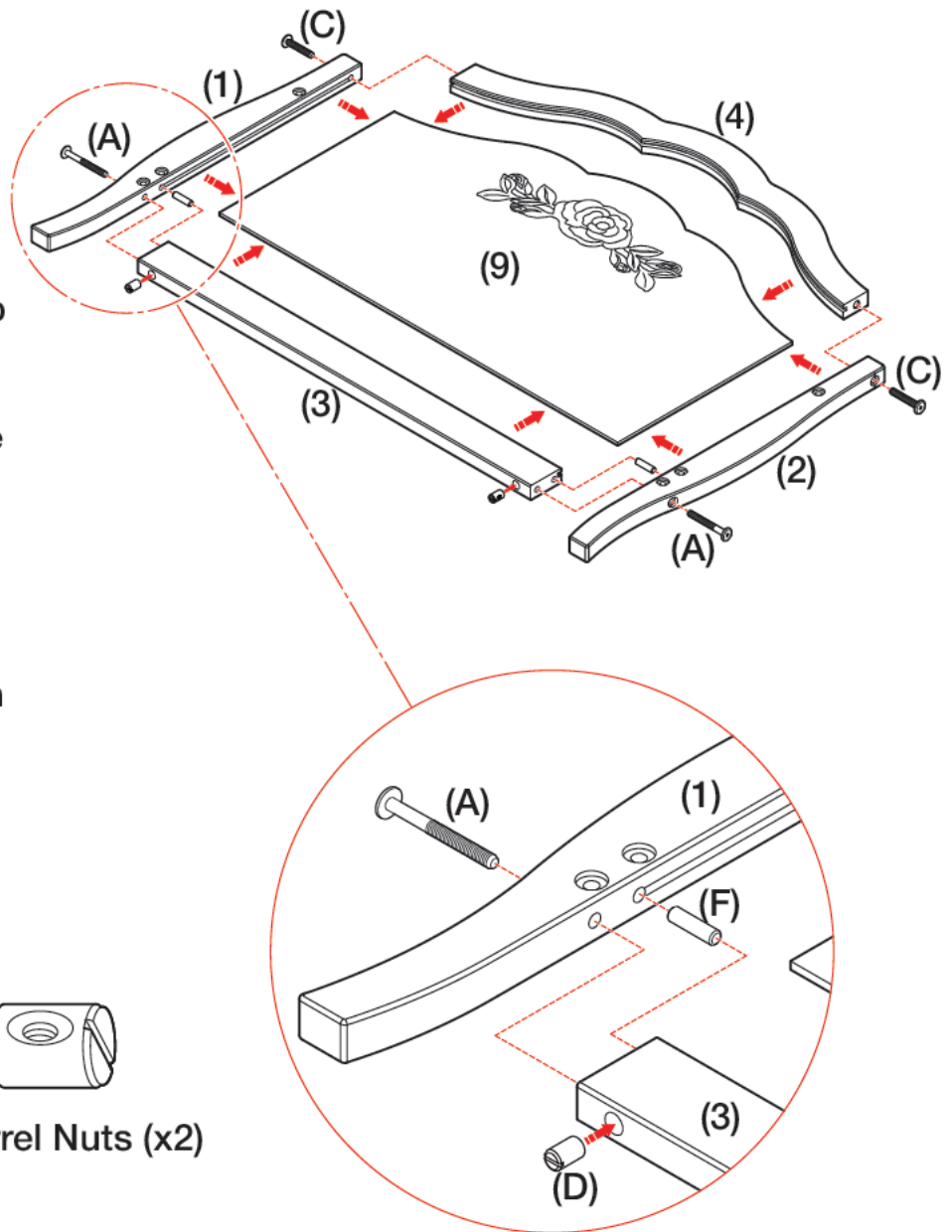


Screw Driver (NOT INCLUDED)

TODDLER BED ASSEMBLY - HEADBOARD ASSEMBLY

1

- 1a. Place the Headboard Panel (9) on a soft surface and align the Headboard Top Rail (4) and the Headboard Bottom rail (3) as shown in the illustration.
- 1b. Align Left Headboard Leg (1) and Right Headboard Leg (2) to the sides of the Panel.
- 1c. Attach the Bolts (C) in the insertions provided on the top of both legs.
- 1d. Attach the Barrel Nuts (D) in the insertions provided on the bottom rail. Similarly, attach the Bolts (A) in the insertions given on the bottom of both legs.
- 1e. Tighten the Bolts (C) into the Barrel Nuts (D) using the Allen Key (H) provided.



NOTE:

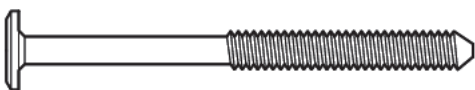
Do not over-tighten the bolts.



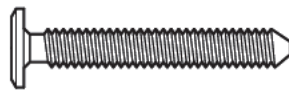
F Wooden Dowels
1-1/4" (x2)



D Barrel Nuts (x2)



A Bolt 2-3/4" (x2)

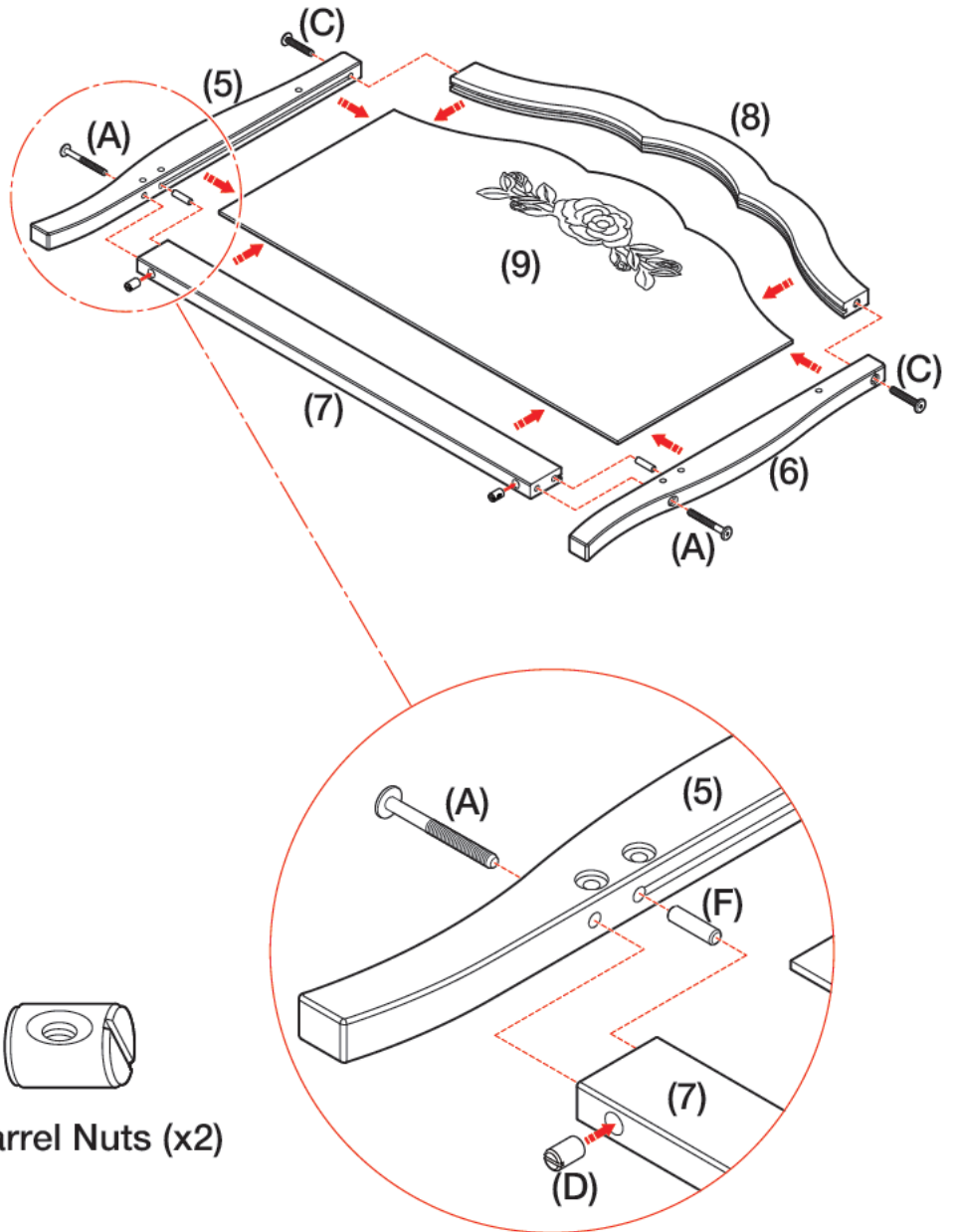


C Bolt 1-3/4" (x2)

TODDLER BED ASSEMBLY - FOOTBOARD ASSEMBLY

2

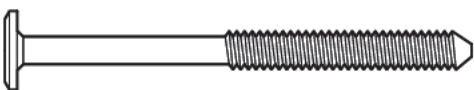
- 2a. Align the Footboard Top Rail (8) and the Footboard Bottom Rail (7) to the Footboard Panel (9) as shown in the illustration.
- 2b. Align Left Footboard Leg (5) and Right Footboard Leg (6) to the sides of the Panel.
- 2c. Attach the Bolts (C) in the insertions provided on the top of both legs.
- 2d. Attach the Barrel Nuts (D) in the insertions provided on the bottom rail. Similarly, attach the Bolts (A) in the insertions given on the bottom of both legs.
- 2e. Tighten the Bolts (C) into the Barrel Nuts (D) using the Allen Key (H) provided.



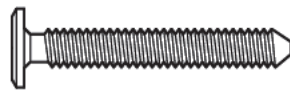
F Wooden Dowels
1-1/4" (x2)



D Barrel Nuts (x2)



A Bolt 2-3/4" (x2)

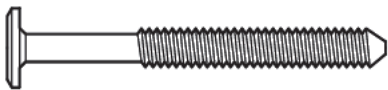
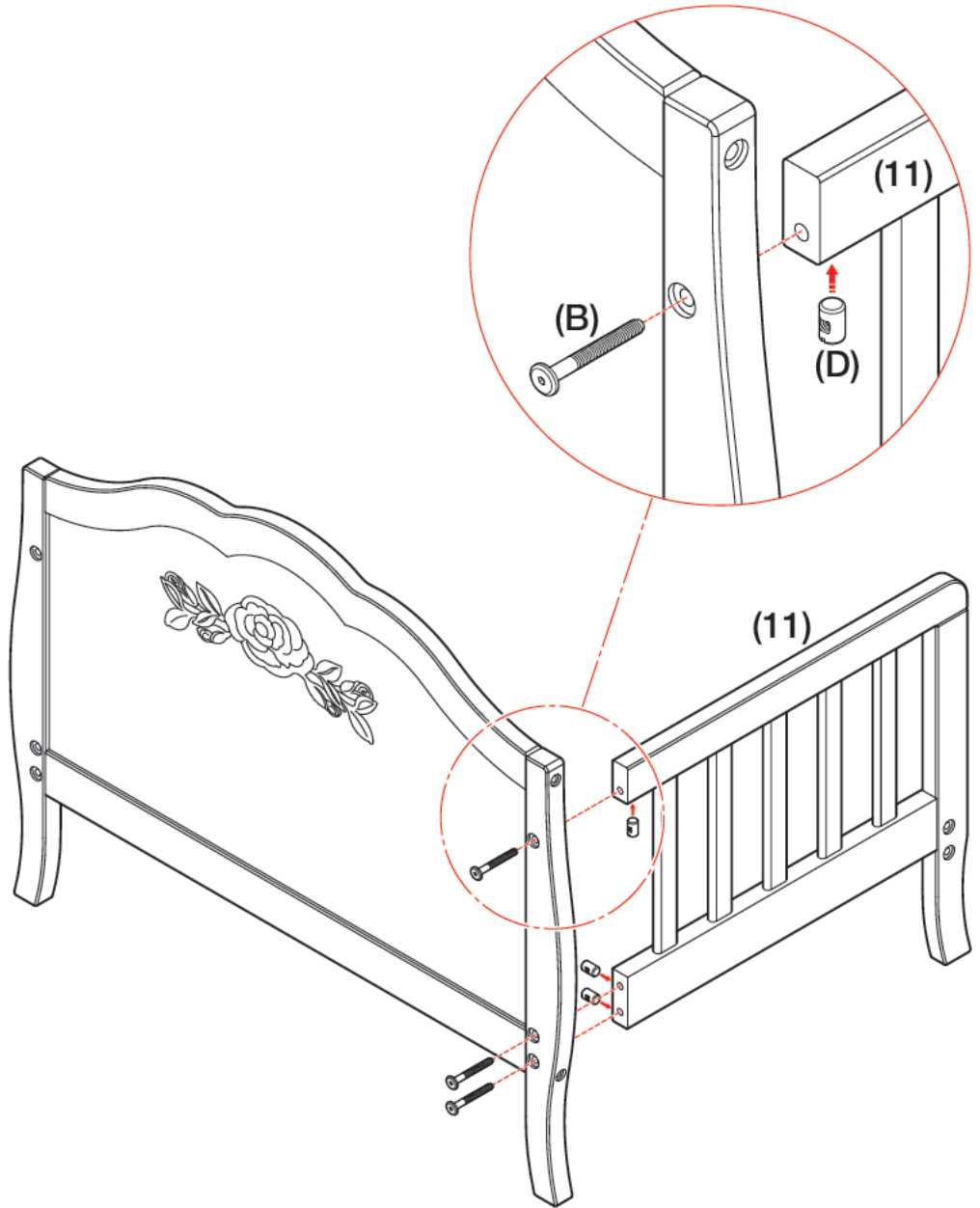


C Bolt 1-3/4" (x2)

TODDLER BED ASSEMBLY - TOP BED FRAME ASSEMBLY

3

- 3a. Align the Left Guard Panel (11) to the assembled Headboard Panel as shown in the illustration.
- 3b. Attach the Barrel Nuts (D) in the insertions provided on the Left Guard Panel. Similarly, attach the Bolt Nuts (B) in the insertions of the Headboard as shown in the illustration.
- 3c. Tighten the Bolts (B) into the Barrel Nuts (D) using the Allen Key (H) provided.
- 3d. Repeat the above steps to attach the Left Guard Panel (11) to the assembled Footboard Panel, putting together the bottom bed frame.



B Bolt 2-1/8" (x3)

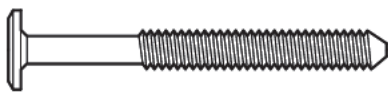
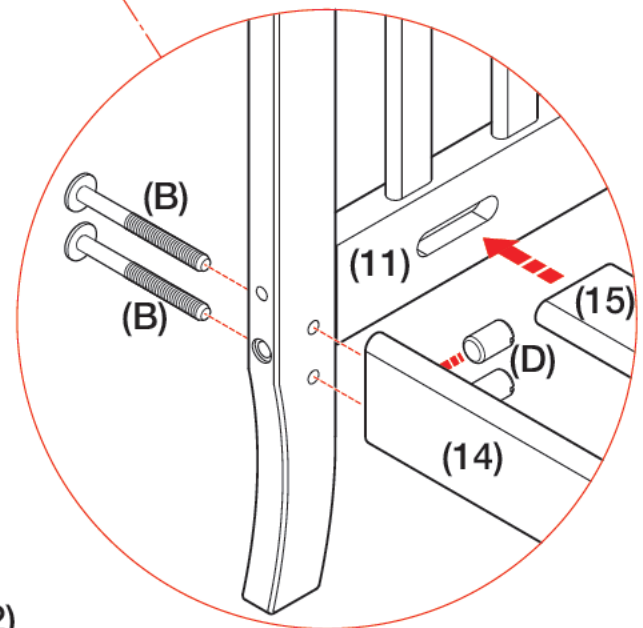
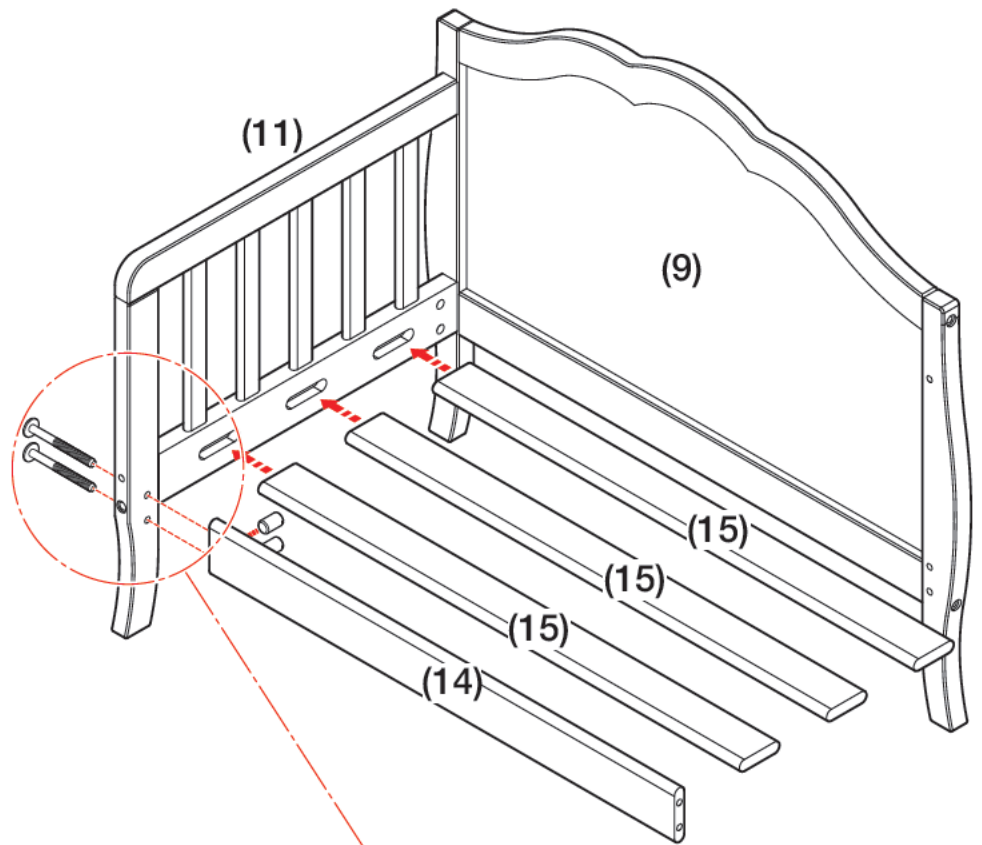


D Barrel Nuts (x3)

TODDLER BED ASSEMBLY - BED FRAME ASSEMBLY

4

- 4a. Attach the Bed Rails (15) in the insertions provided on the Left Guard Panel (11).
- 4b. Attach the Barrel Nuts (D) in the insertions provided on the Bottom Bed Rail (14). Similarly, attach the Bolt Nuts (B) in the insertions of the Left Guard Panel as shown in the illustration.
- 4c. Tighten the Bolts (B) into the Barrel Nuts (D) using the Allen Key (H) provided to attach the Bottom Bed Rail to the Left Guard Panel.
- 4d. Repeat the above steps to assemble the bottom bed frame.



B Bolt 2-1/8" (x2)

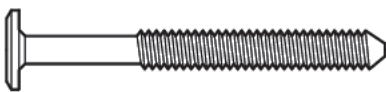
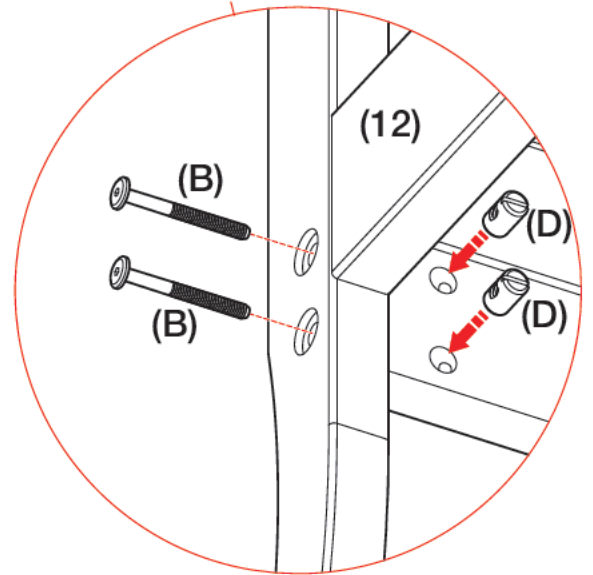
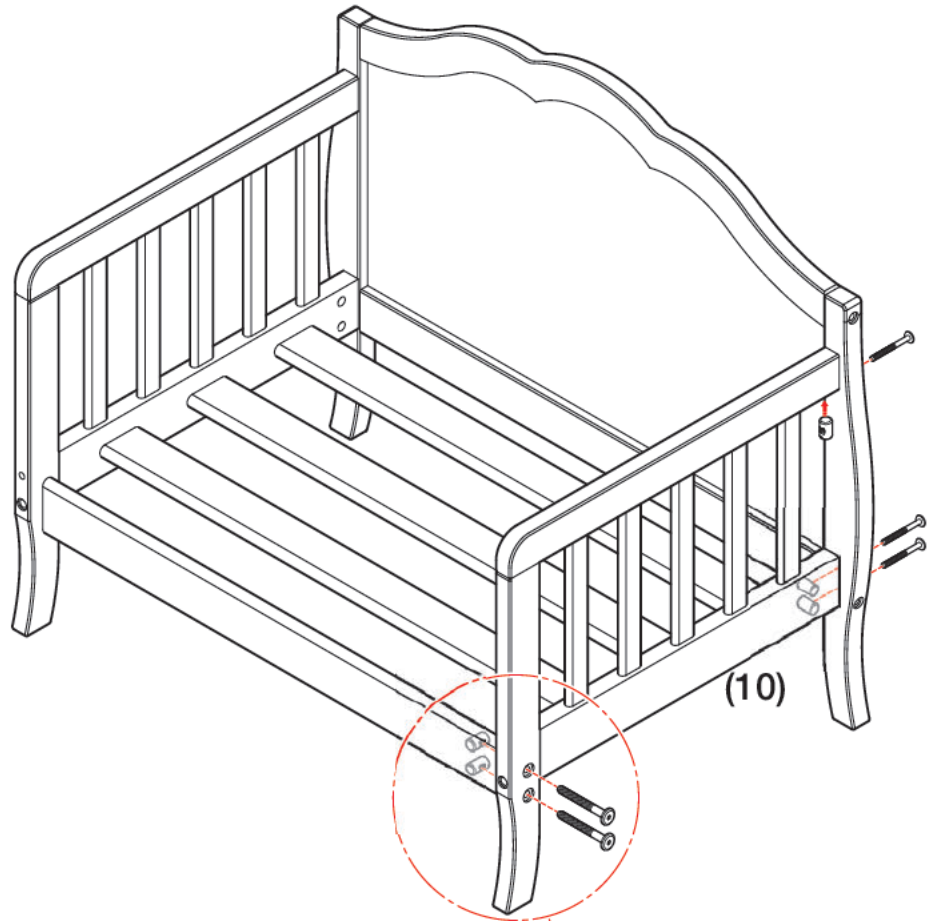


D Barrel Nuts (x2)

TODDLER BED ASSEMBLY - TOP BED FRAME ASSEMBLY

5

- 5a. Align the Right Guard Panel (10) to the assembled Headboard Panel as shown in the illustration.
- 5b. Attach the Barrel Nuts (D) in the insertions provided on the Right Guard Panel and the Bottom Bed Rail (14).
- 5c. Attach the Bed Rails (15) in the insertions provided on the Right Guard Panel.
- 5d. Attach the Bolt Nuts (B) in the insertions of the Headboard and the Right Guard Panel as shown in the illustration.
- 5e. Tighten the Bolts (B) into the Barrel Nuts (D) using the Allen Key (H) provided.
- 5f. Repeat the above steps to assemble the bottom bed frame.



B Bolt 2-1/8" (x5)

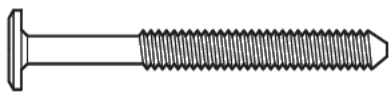
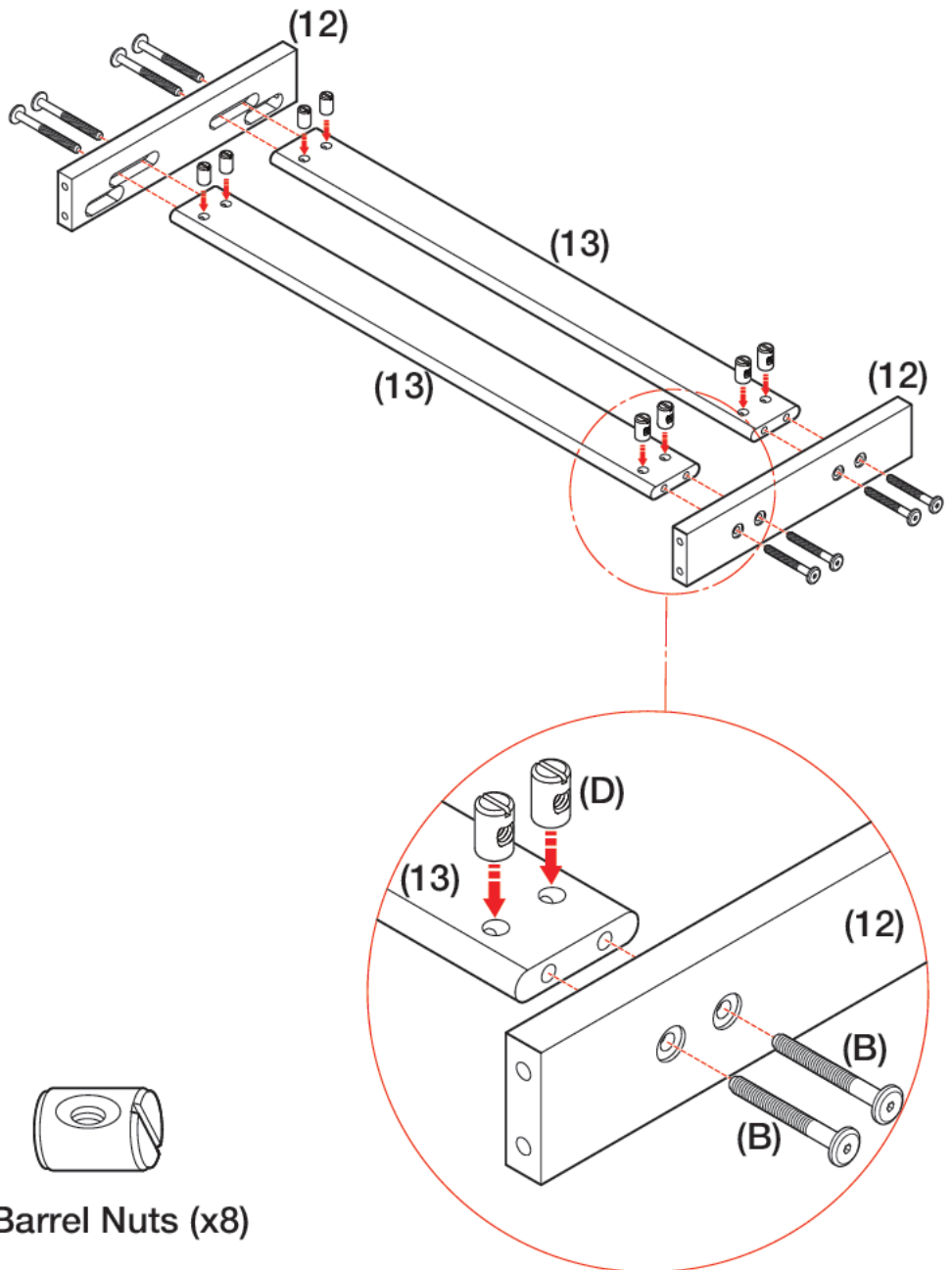


D Barrel Nuts (x5)

TODDLER BED ASSEMBLY - CENTER BED FRAME ASSEMBLY

6

- 6a. Align the Center Bar (12) and the Center Bed Rail (13) as shown in the illustration.
- 6b. Attach the Barrel Nuts (D) in the insertions provided on the Center Bed Rails. Similarly, attach the Bolts (B) in the insertions provided on the Center bar.
- 6c. Tighten the Bolts (B) into the Barrel Nuts (D) using the Allen Key (H) provided.



B Bolt 2-1/8" (x8)

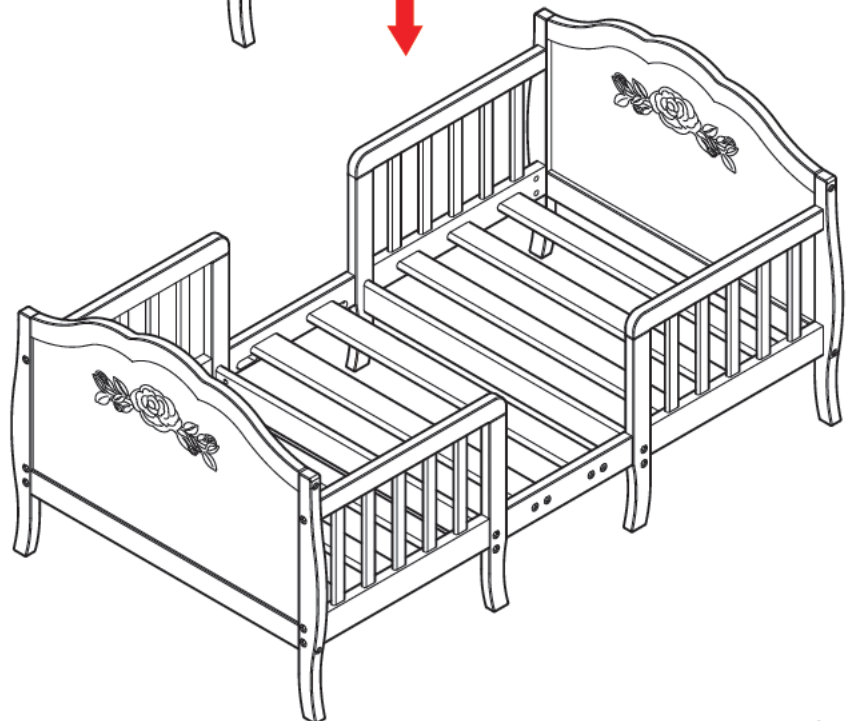
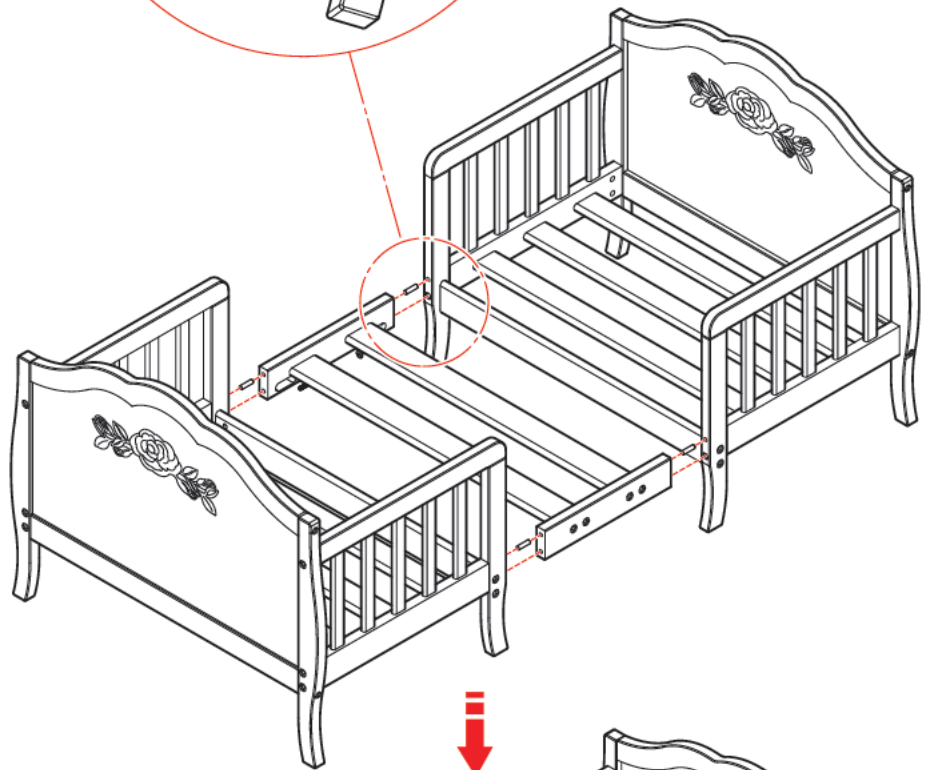
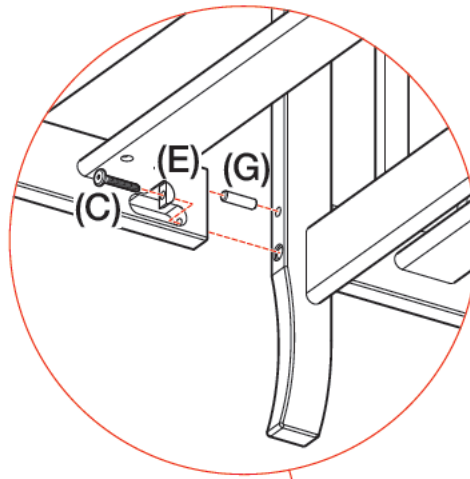


D Barrel Nuts (x8)

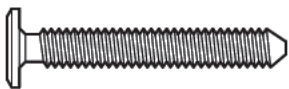
TODDLER BED ASSEMBLY - BED FRAME ASSEMBLY

7

- 7a. Align the Center Frame and the assembled Top and Bottom Bed Frames.
- 7b. Position the Wooden Dowels (G) between the insertions of the Center Bed Frame and Top/Bottom Bed Frame as shown in the illustration.
- 7c. Insert the Bolts (C) into the Half Moon Washer (E) on all the ends of the Center Bed Frame attaching it to the Top and Bottom Bed Frame.
- 7c. Tighten the Bolts (C) using the Allen Key (H) provided.



- G** Wooden Dowels
1-5/8" (x4)



- C** Bolt 1-3/4" (x4)



- E** Spacer (x4)

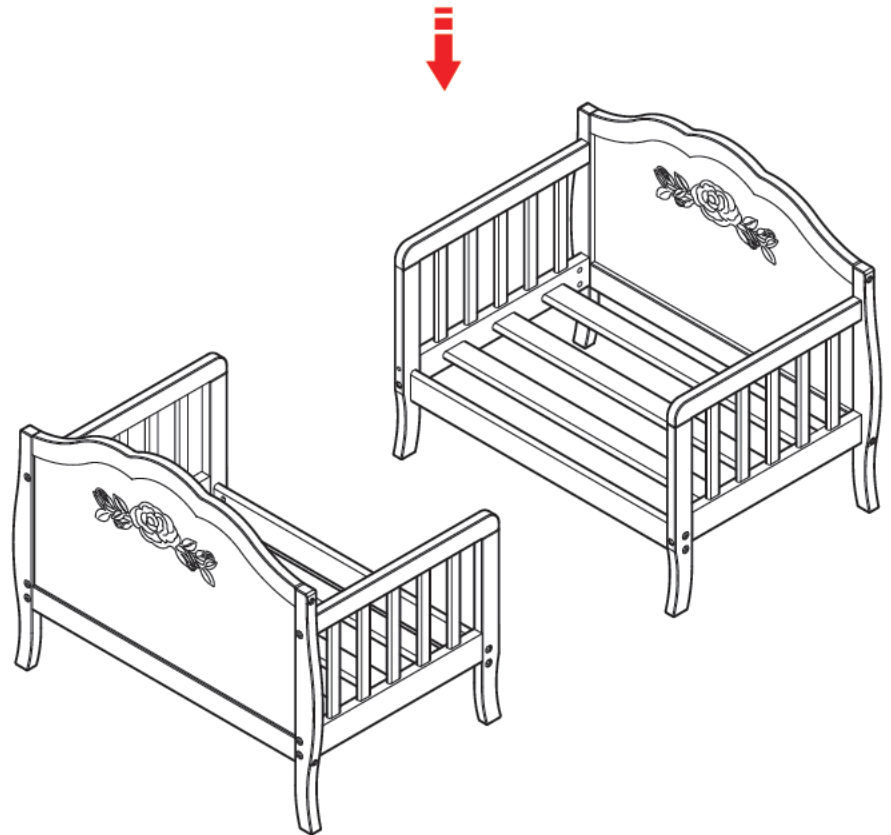
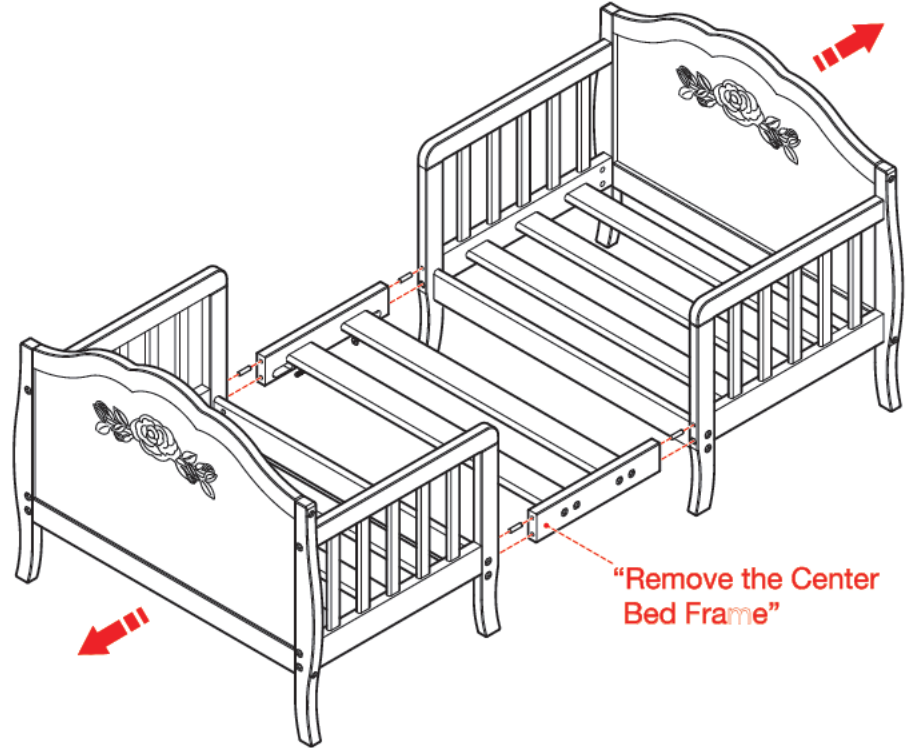
CONVERSION MODES - KID-SIZED SOFAS

1

- 1a. To convert the Toddler Bed to two Kid-Sized Sofas, you must first separate the Center Bed Frame from the Top and Bottom Bed Frame.
- 1b. Keep aside the Center Bed Frame for converting it to a Table.

NOTE:

*The Bed can be converted into two Kid-Sized Sofas without a conversion kit.



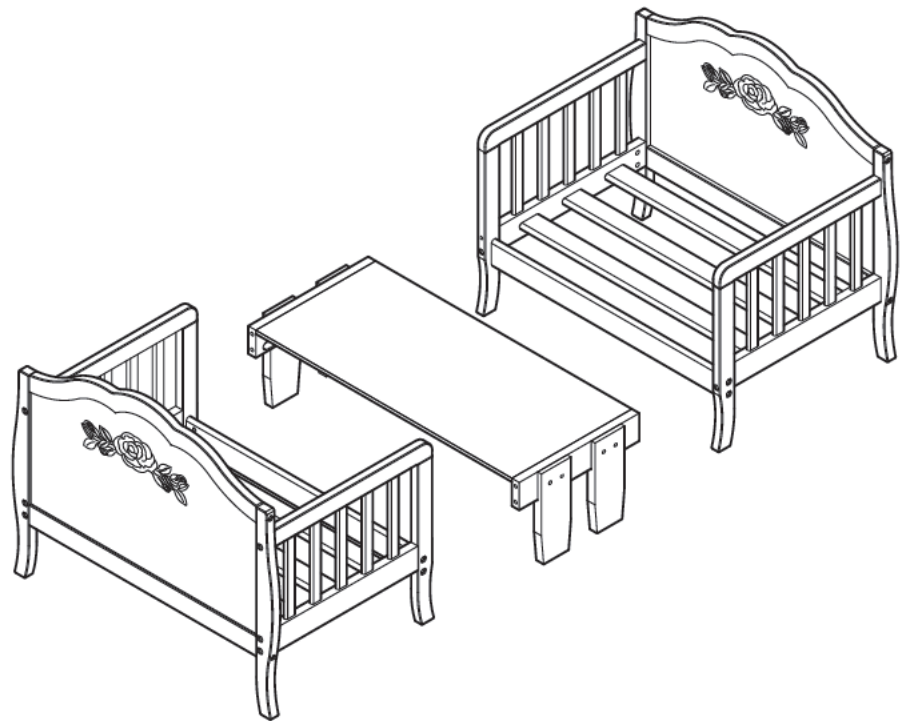
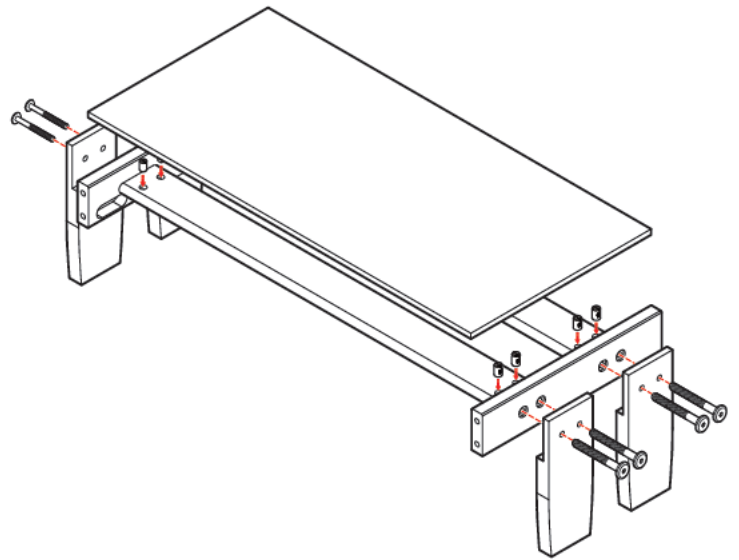
CONVERSION MODES - TABLE

2

- 2a. To convert the Toddler Bed to a Table, use the Center Bed Frame kept aside from before.
- 2b. Make sure to follow the complete instructions provided with the Toddler Bed Convertible Kit.

NOTE:

***Make sure to use the Dream On Me Universal 3-in-1 Toddler Bed Conversion Kit (SKU-649B) to convert the Toddler Bed to a Center Table**



Toddler Bed Conversion Kit (NOT INCLUDED, SOLD SEPARATELY)

FURNITURE CARE INSTRUCTIONS

ROOM CLIMATE CONTROL:

- Wood, when first cut contains more than 50 percent water. When it is prepared for furniture construction it is placed in a Kiln and the moisture content is brought down to 8 to 10 percent. Wood is porous and responds to its environment. If the room has high humidity it will absorb it and expand and if the humidity is low it will lose moisture and shrink.
- It is important that the humidity levels in the room be controlled from extremes of too much humidity or too little. Furniture should not be placed close to the air-conditioning outlets, fire places, radiators, space heaters, humidifiers or dehumidifiers. Exposure to extreme variations of temperature and humidity can damage any fine wood product.

THE IDEAL ENVIRONMENT FOR FINE FURNITURE:

- Fine wood furniture will have fewer problems when its environment is controlled at a temperature between 65 and 75 degrees and a relative humidity between 35 and 40 percent. Wood placed in an environment outside of those limits can and will shrink or expand and may develop some small cracks which are not material or structural defects.

STICKING DOORS AND DRAWERS:

- With the minor changes in temperature and humidity, doors and drawers may swell and be difficult to open or close. Tolerances have been built into the units but extreme conditions may still cause sticking. This will adjust back to normal over time but until it does consider using a dehumidifier or rub candle wax or paraffin on sides that stick.

AVOID DIRECT SUNLIGHT:

- Keep the furniture out of direct sunlight. Ultraviolet rays will fade colors and in some cases darken them. It can also cause crazing or hair line cracks in the finish. White finishes will yellow naturally over time and exposure to direct sunlight will hasten this natural process along with some woods darkening naturally over time; this is not considered to be a quality defect.

PROPER STORAGE:

- If you need to put your furniture in storage for any period of time do not store them in a damp basement or hot dry attic. Allow air movement around the furniture and do not stack anything on it.

FURNITURE CARE INSTRUCTIONS (cont.)

- Protect furniture surfaces from hot or extremely cold items.
 - Use coasters under hot or cold beverages.
 - Do not use synthetic fabric under accessories or lamps.
 - Protect tops from pens, markers and crayons.
 - Oils from potpourri and other scented items can damage the finish of the furniture.
 - Do not drag items across the surface of the furniture.
 - Allow the surface to breathe by rotating your accessories and lamps.
 - Do not over polish the furniture, do it only two or three times a year. Over polishing can distort the natural finish of the product.
 - Do not wax the furniture, as wax build up can destroy the natural finish of the product.
 - When moving furniture, always lift the unit. Do not push or drag it to avoid damage to legs.
 - Keep the furniture level so doors and drawers open and close freely.
 - Clean with a damp, not wet, cloth. Use only a mild soap. Do not use the abrasive cleaners.
 - Do not scratch or chip the finish.
 - Inspect the product periodically,
-
- Do not store the product or any parts in extreme temperatures and conditions such as a hot attic or a damp, cold basement. These extremes can cause a loss of structural integrity.
 - To preserve the luster of the high-quality finish on your product, it is recommended to place a doily or felt pad under any items you place on the finish.
 - Clean with a damp cloth, then a dry cloth to preserve the original luster and beauty of this fine finish. Do not use abrasive chemicals.
 - Do not spray cleaners directly onto furniture.
 - Lift slightly when moving on carpeting to prevent leg breakage.
 - Use of a vaporizer near furniture will cause wood to swell and to peel.