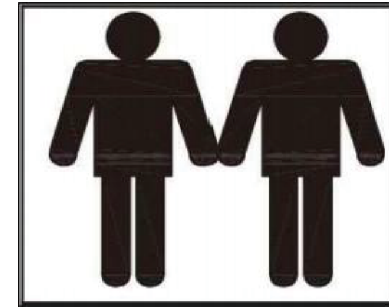
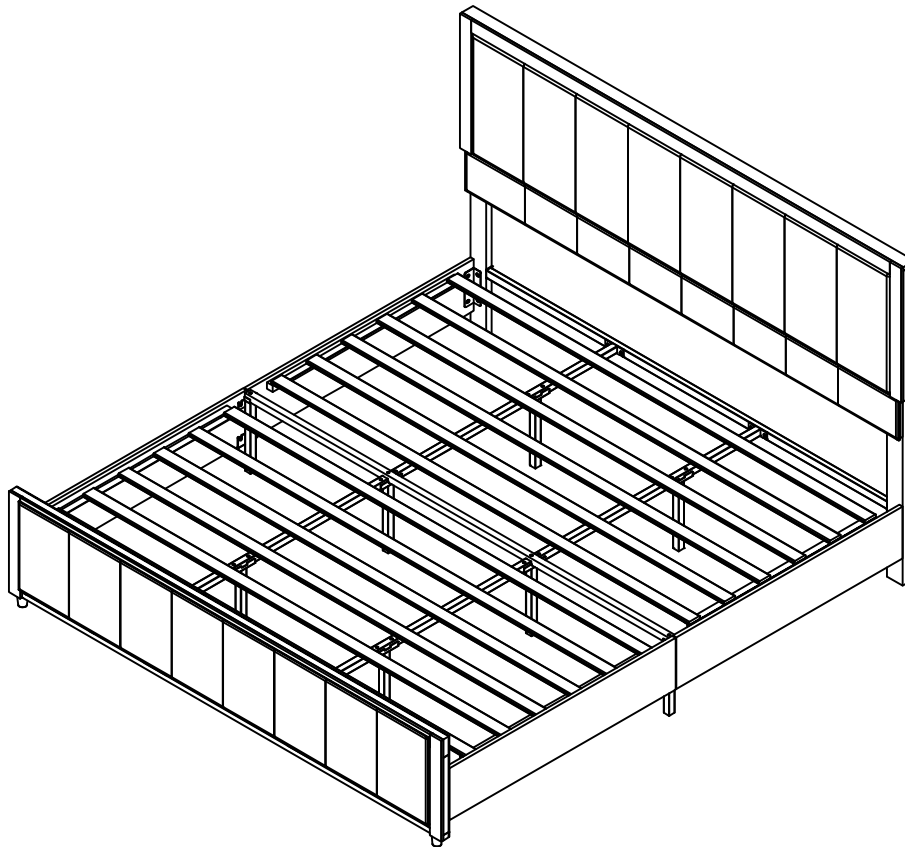


Assembly Instruction

Note:

1. Should be assembled on flat ground to keep balance.
2. Before completing the installation, do not tighten the screws.

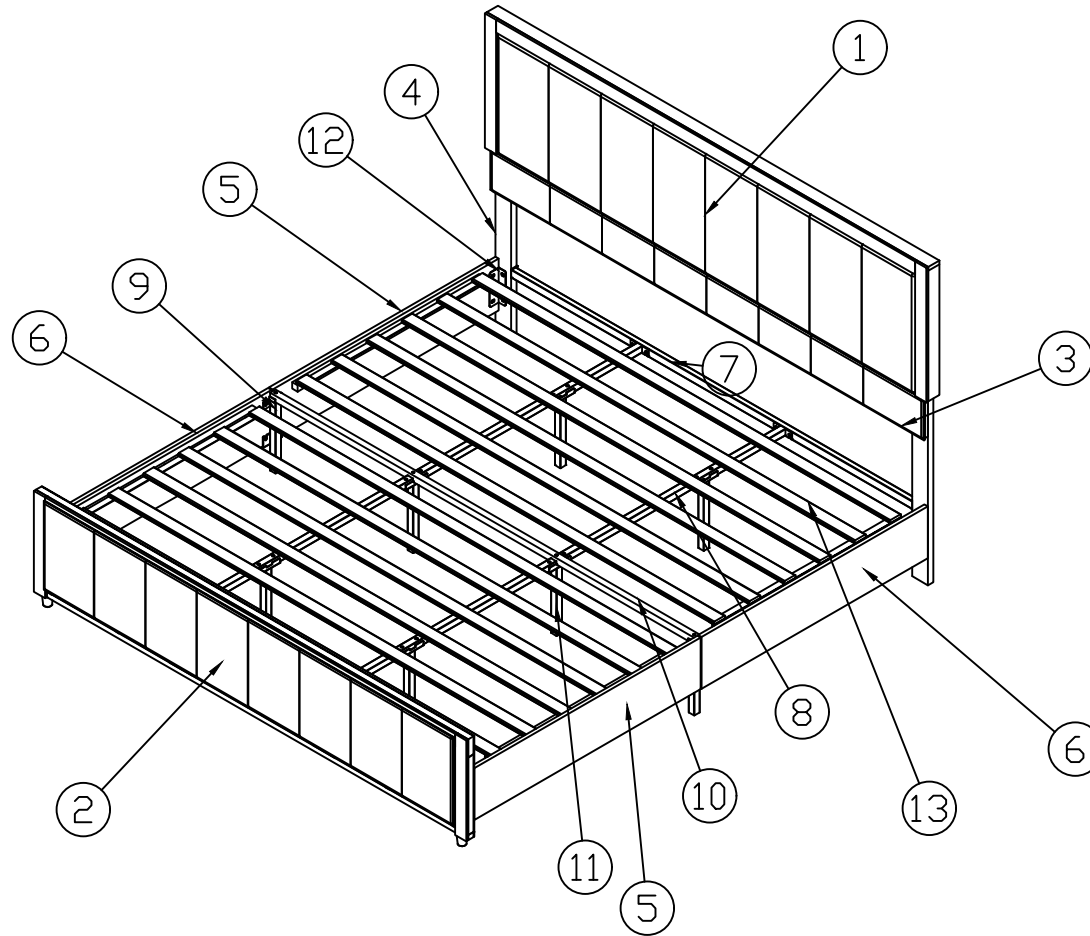


It needs at least two people to install.




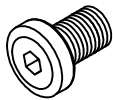



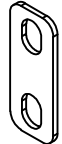
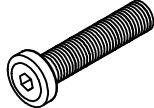
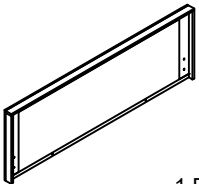
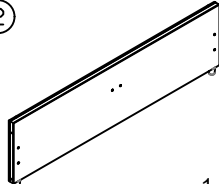
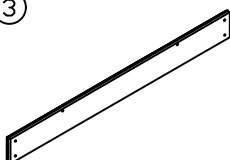
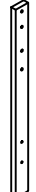
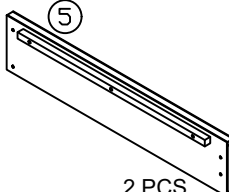
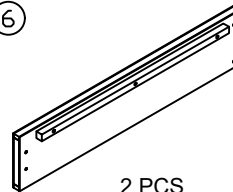
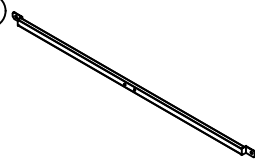
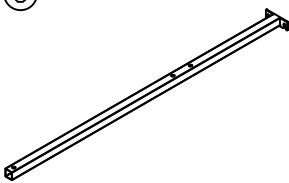
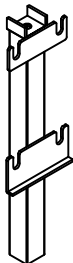
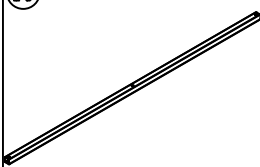
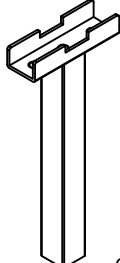
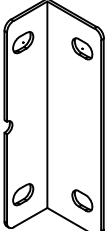
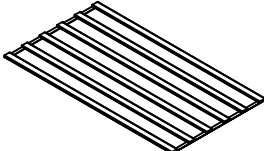
Before starting the assembly, you must read the whole manual and follow the instructions.

Assembly Instruction






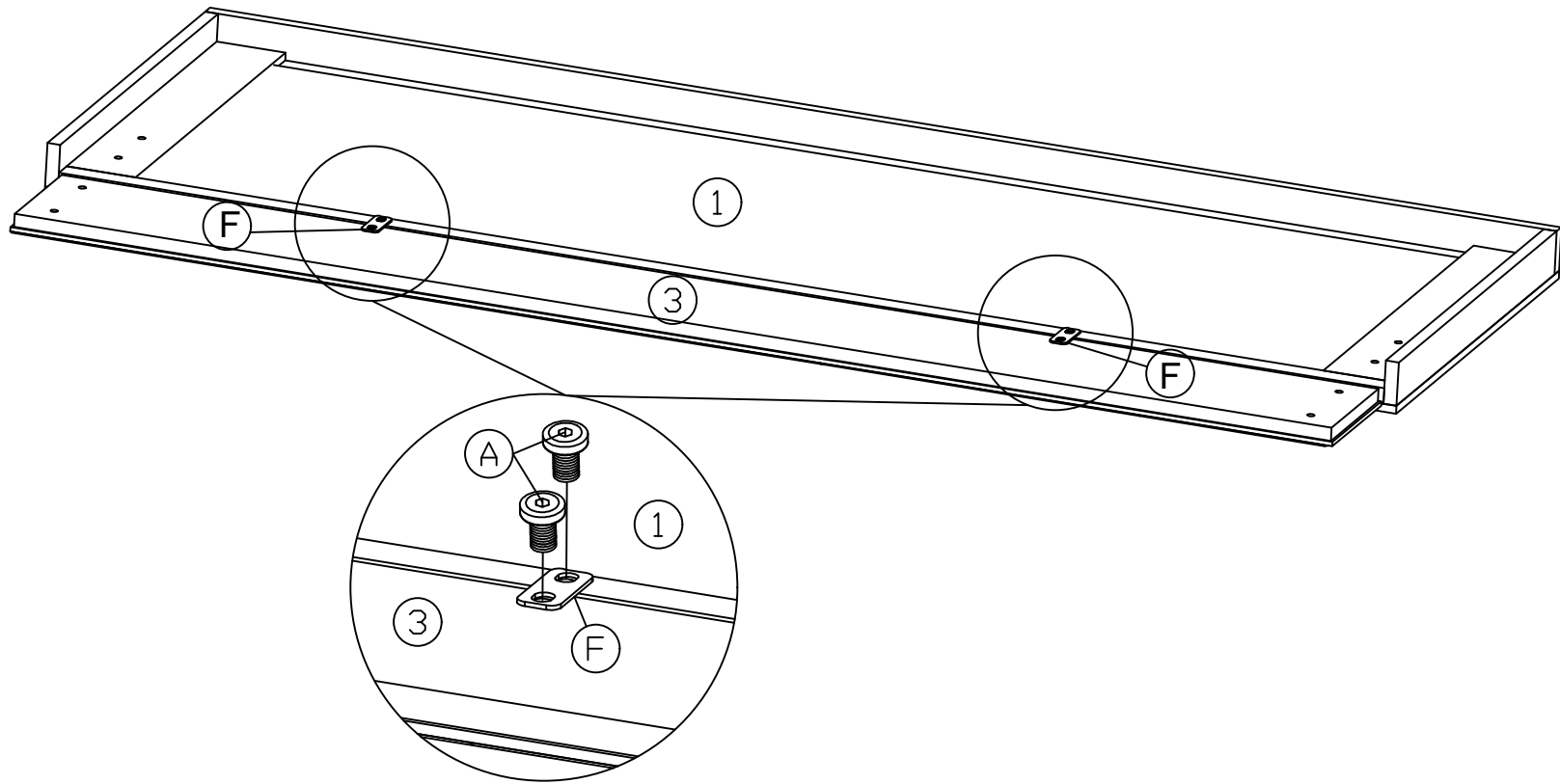
Assembly Instruction

Hardware Parts




 <p>A M8*10 4 PCS</p>	 <p>B M8*20 34 PCS</p>	 <p>C M8*35 18 PCS</p>	 <p>D M8*40 4 PCS</p>	 <p>E 4 # 1 PC</p>	 <p>F 2 PCS</p>	 <p>G M8*50 2 PCS</p>
<h3>Part list</h3>						
<p>①</p>  <p>1 PC</p>	<p>②</p>  <p>1 PC</p>	<p>③</p>  <p>1 PC</p>	<p>④</p>  <p>2 PCS</p>	<p>⑤</p>  <p>2 PCS</p>	<p>⑥</p>  <p>2 PCS</p>	<p>⑦</p>  <p>1 PC</p>
<p>⑧</p>  <p>4 PCS</p>	<p>⑨</p>  <p>2 PCS</p>	<p>⑩</p>  <p>1 PC</p>	<p>⑪</p>  <p>6 PCS</p>	<p>⑫</p>  <p>4 PCS</p>	<p>⑬</p>  <p>2 PCS</p>	
<p style="text-align: right;">Page 3/14</p>						

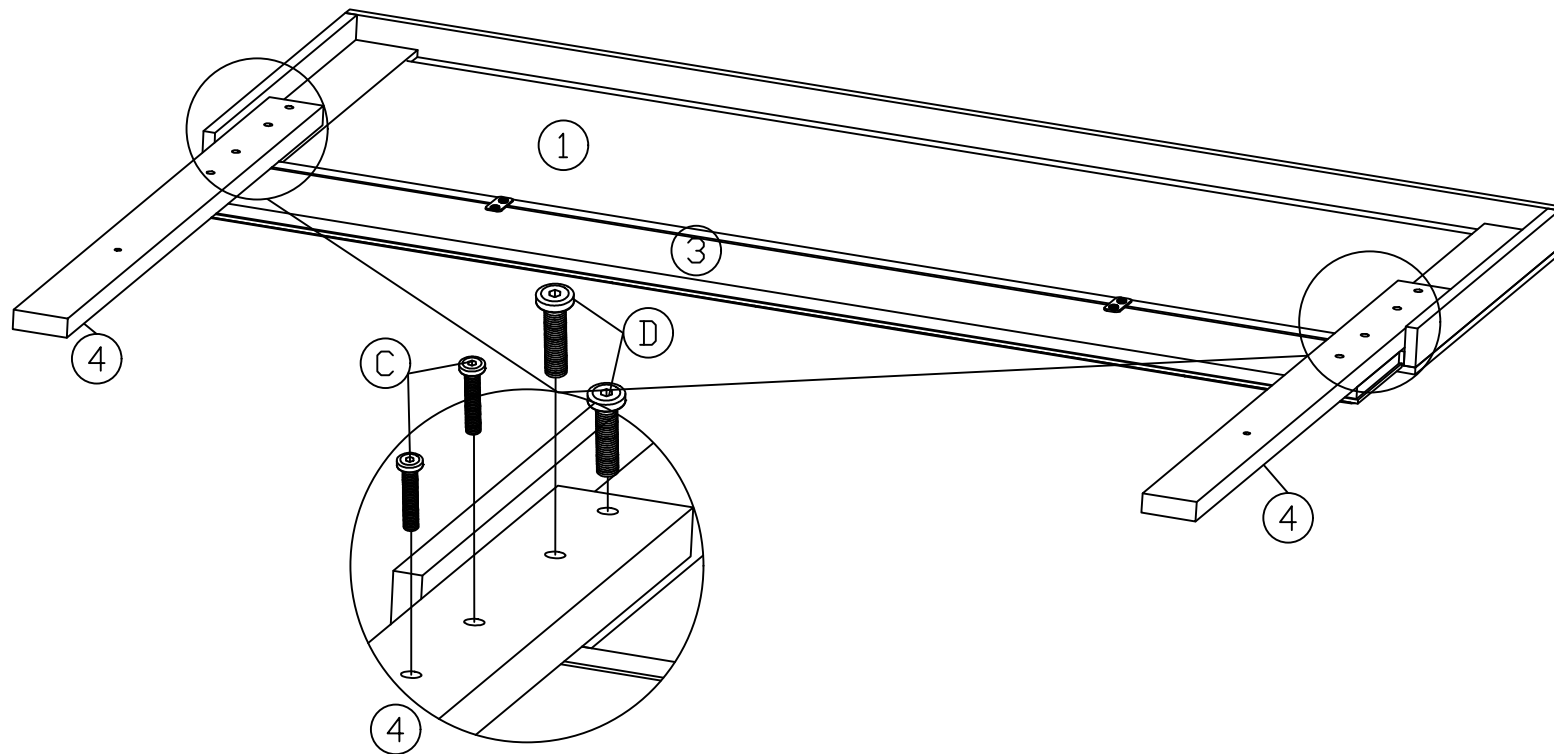
Assembly Instruction

A	 M8*10	4 pcs	F		2 pcs
E		1 pc			



Assembly Instruction

D	 M8*40	4 pcs	C	 M8*35	4 pcs
E		1 pc			



Assembly Instruction

B

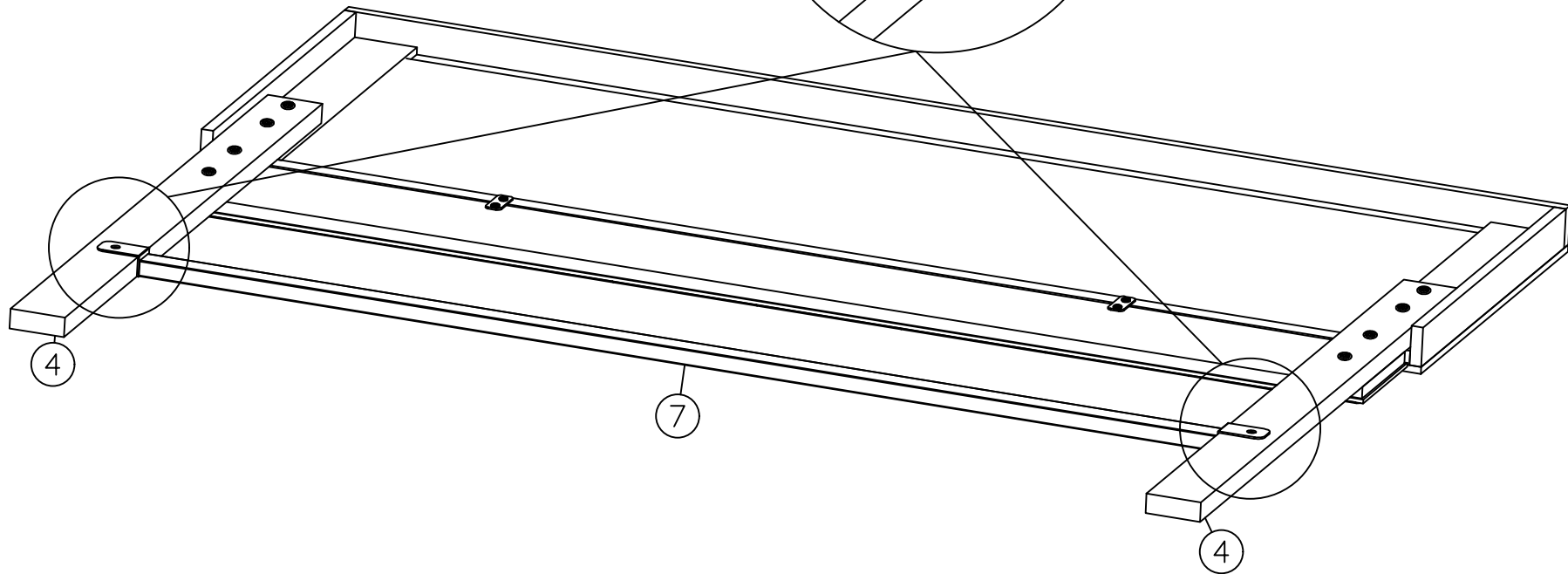
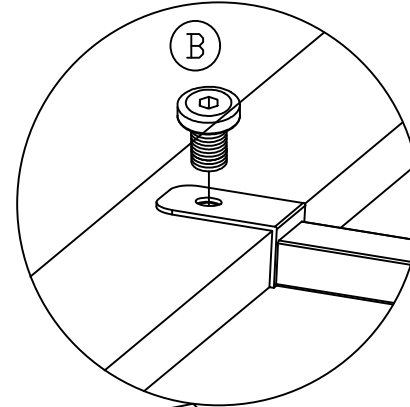


2 pcs

E



1 pc



Assembly Instruction

B



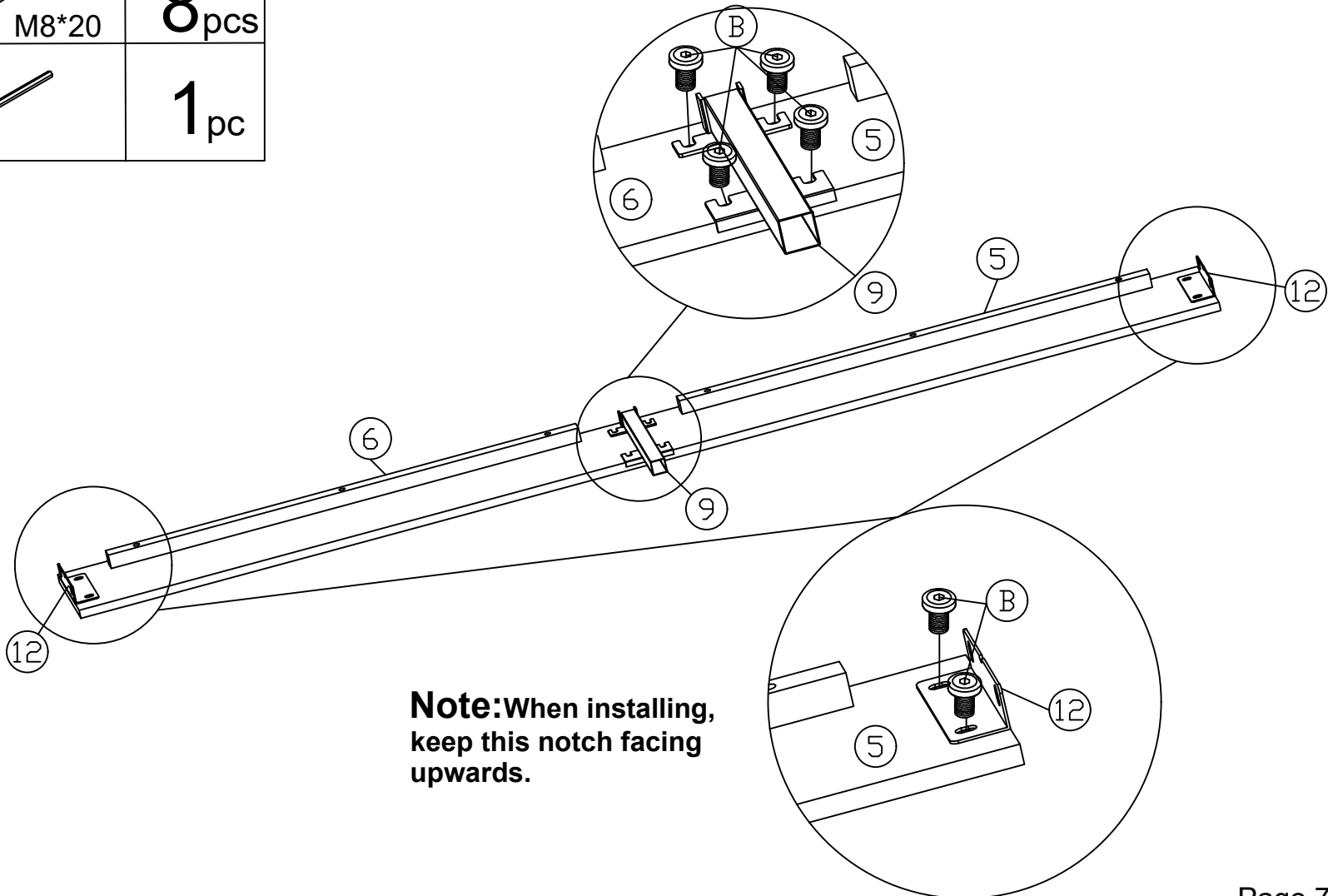
M8*20

8 pcs

E



1 pc



Assembly Instruction

B

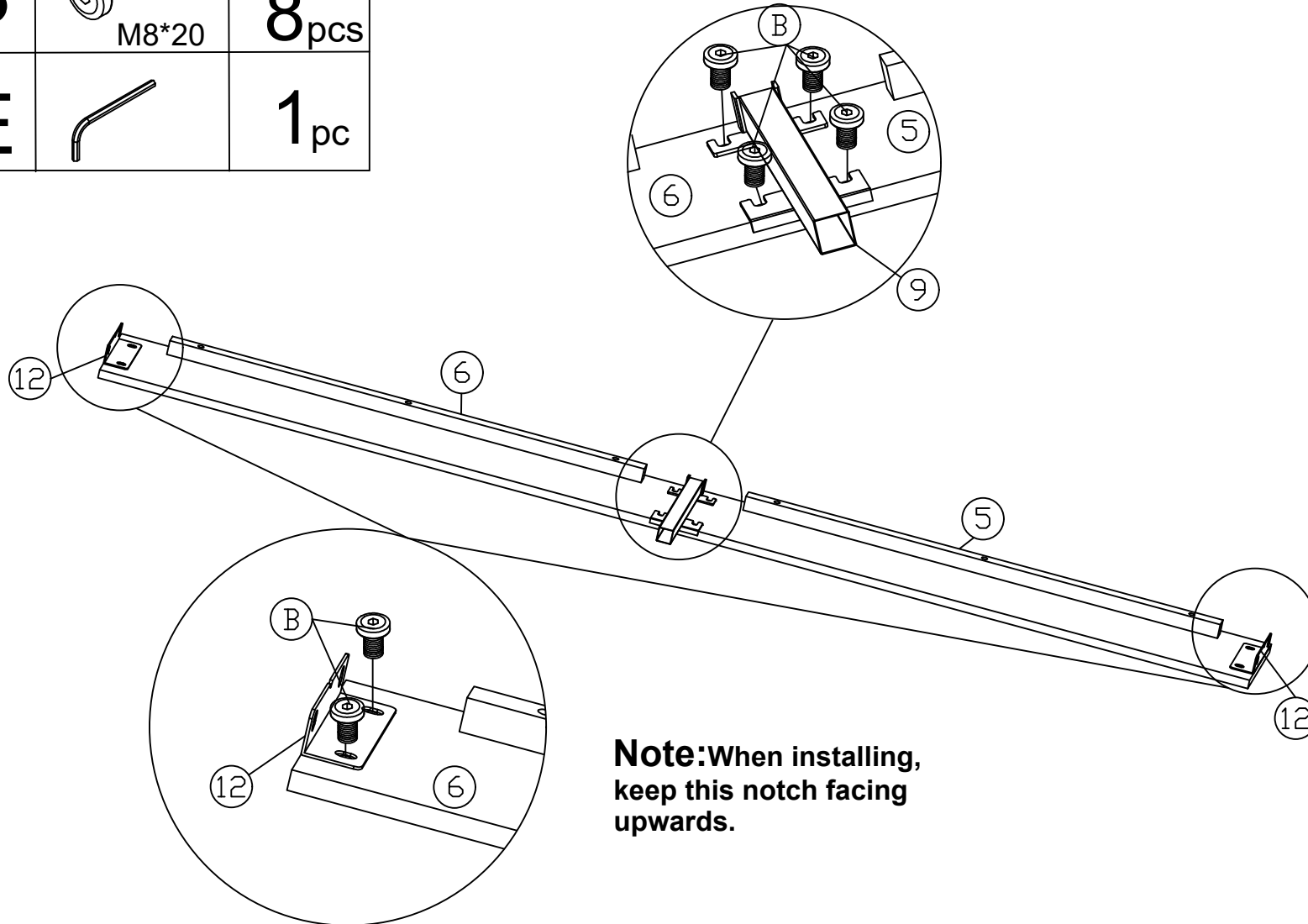


8 pcs

E



1 pc



Assembly Instruction

B

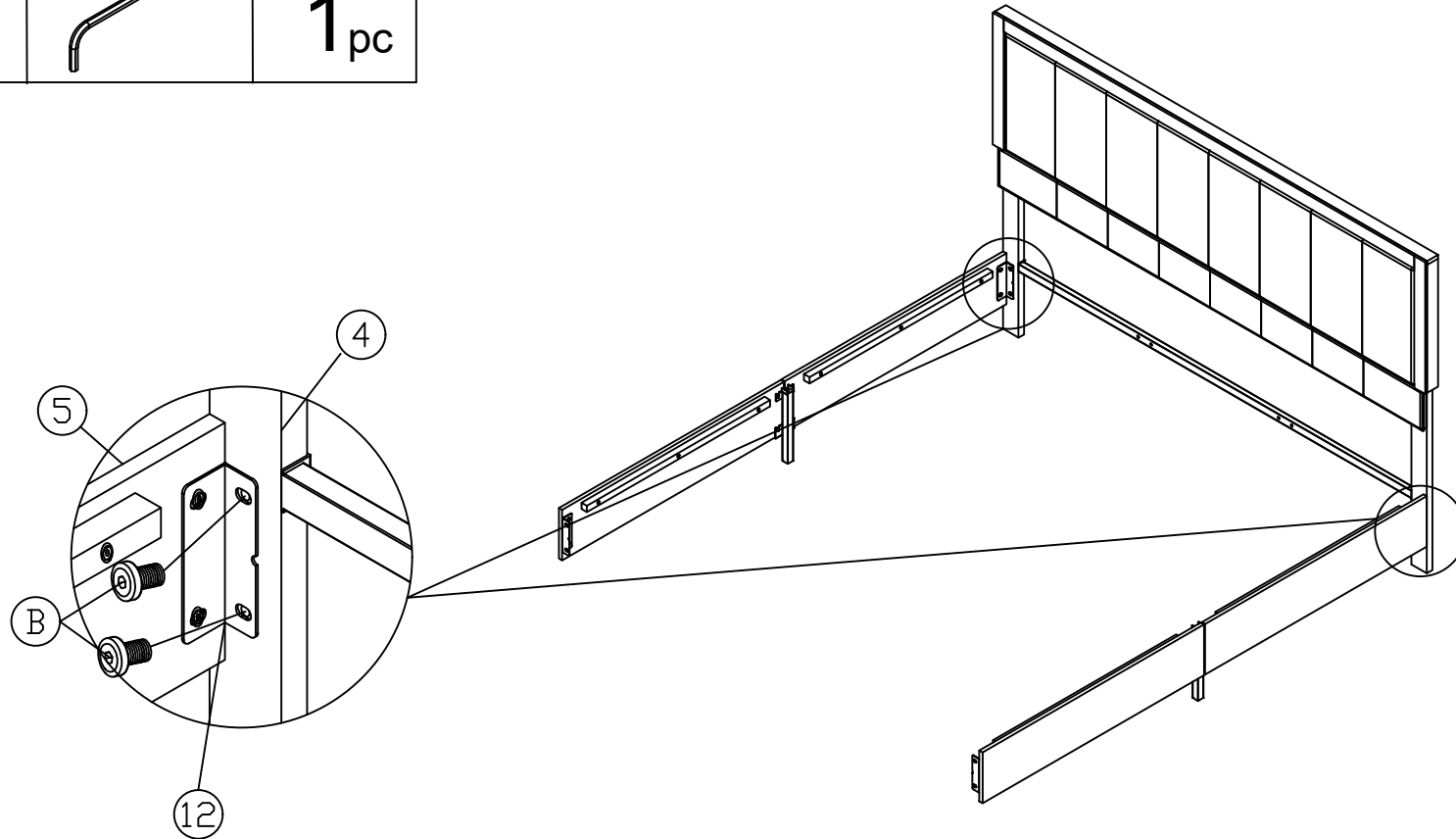


4 pcs

E



1 pc



Assembly Instruction

B

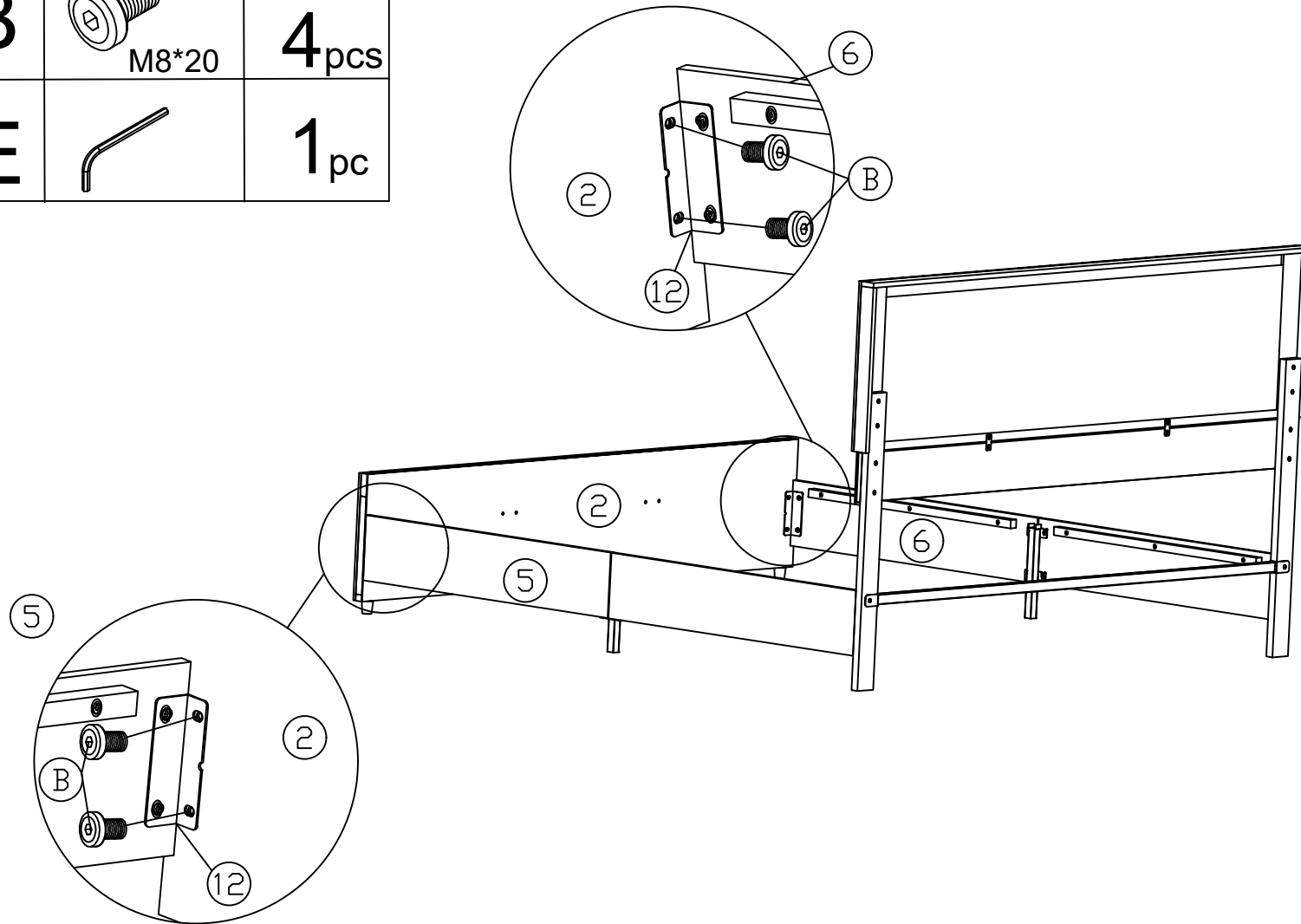


4 pcs

E



1 pc



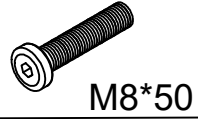
Assembly Instruction

C



2 pcs

G

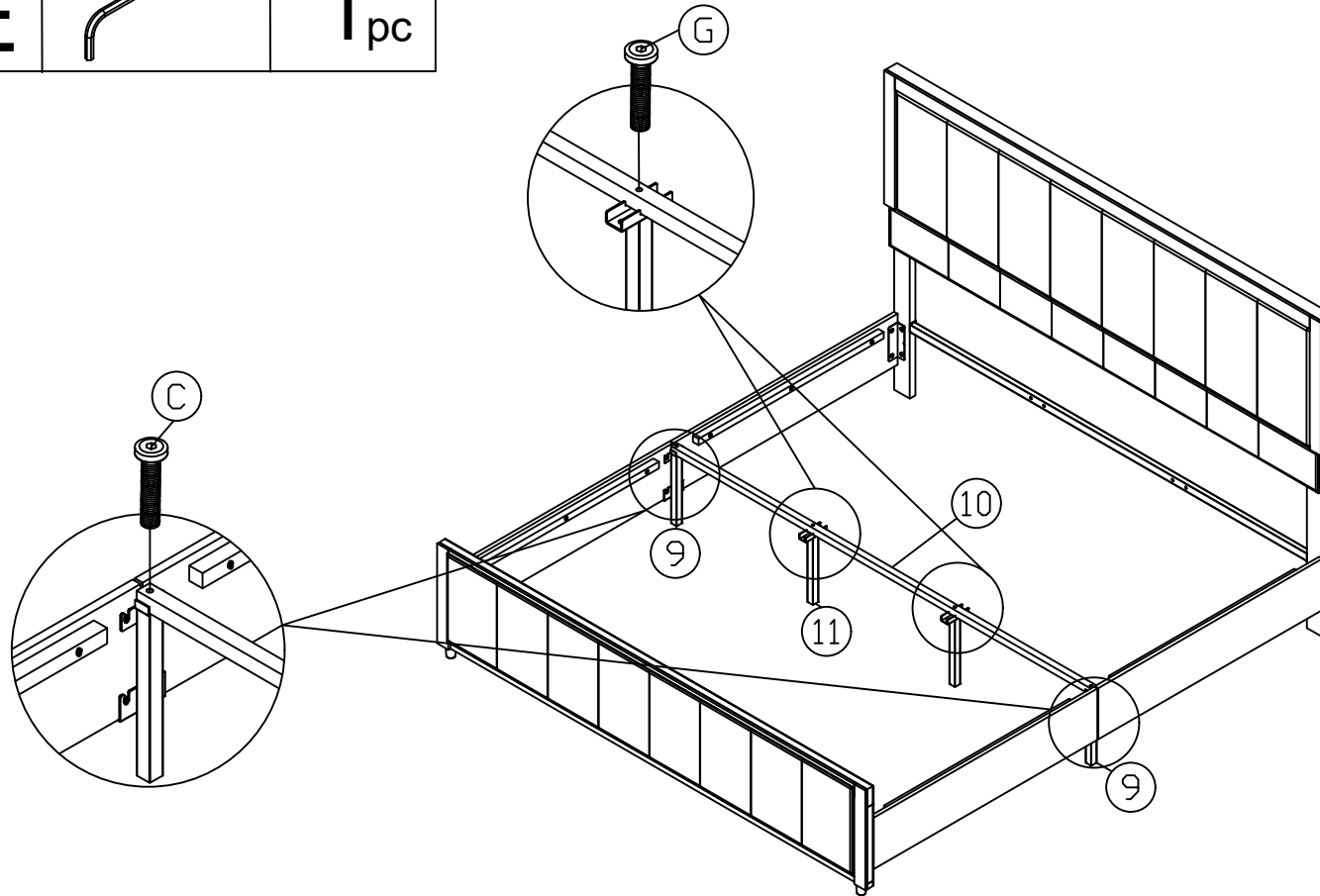


2 pcs

E



1 pc



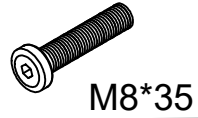
Assembly Instruction

B



8 pcs

C

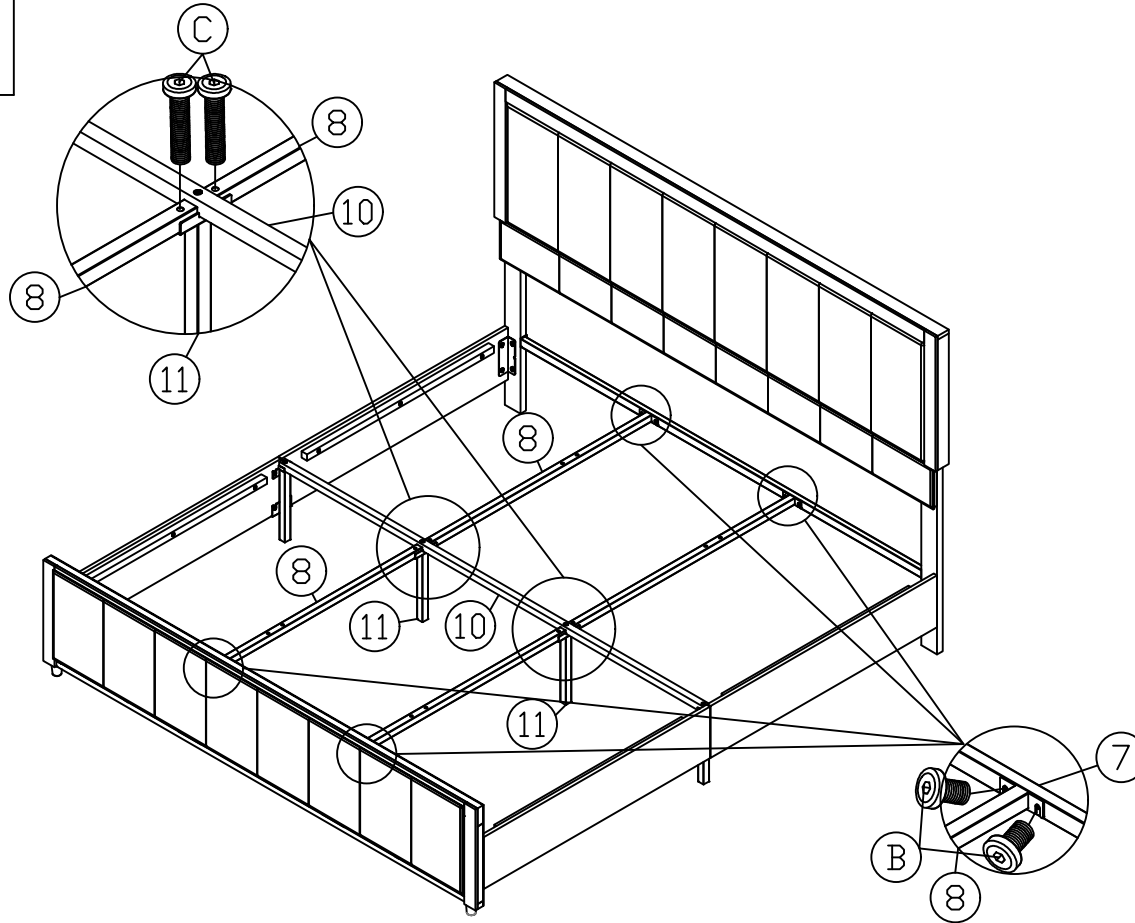


4 pcs

E



1 pc



Assembly Instruction

C

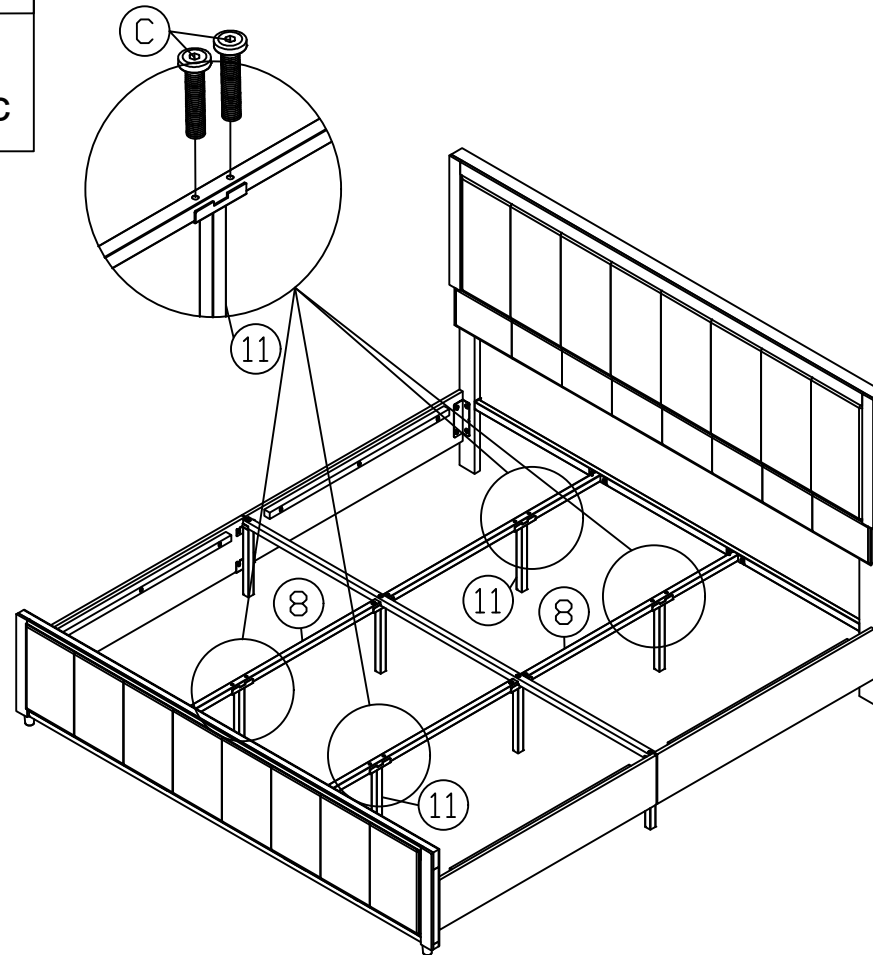


8 pcs

E



1 pc



Assembly Instruction

