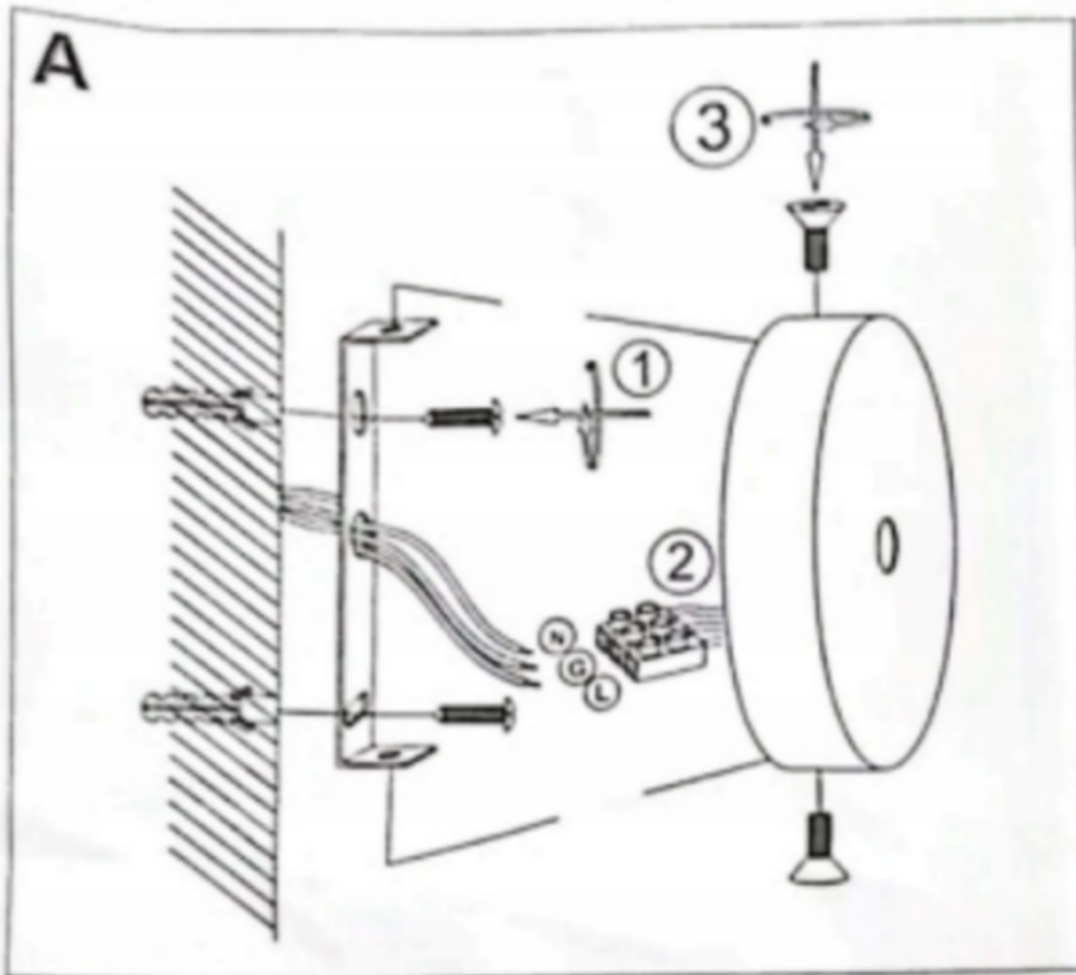


Assembly Instructions for **Model HL1589997**



Assembly Method

In the following instructions, some pictures are for reference only.
Please install according to the provided method.



① Drill holes on the wall and stick the expansion bolts into the holes.
Fix the mounting bracket to the expansion bolts with self-tapping screws.

② Connect the lamp cord and power cord to the interface.
Connect Live wire(L) to the Brown/Black wire from the fixture body.
Connect Neutral wire(N) to the Blue/White wire from the fixture body.
The yellow-green wire is the ground wire. It can be connected to the wire marked with the ground wire (GND), or it can be left unconnected.

③ Fix the lamp base to the mounting bracket with screws

The installation is complete.

Your fixture is now assembled and ready to use.