

Shoes Cabinet



Thanks for purchasing one of our products, please read carefully the assembly instructions before the installation (Attention: Do not tighten the screws before all screws are in place). THIS INSTRUCTION BOOKLET CONTAINS IMPORTANT SAFETY INFORMATION. PLEASE READ AND KEEP FOR FUTURE REFERENCE.

PART NO.	PARTS	QTY
①		X1
②		X1
③		X1
④		X2
⑤		X1
⑥		X1
⑦		X1
⑧		X1
⑨		X1
⑩		X4
⑪		X2

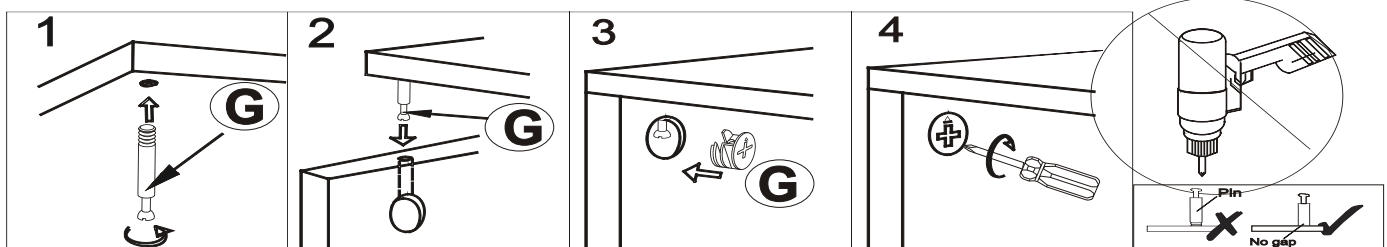
PART NO.	PARTS	QTY
⑫		X1
⑬		X1
⑭		X1
⑮		X1
⑯		X1
⑰		X2
⑱		X4
⑲		X2
⑳		X2
㉑		X2

PART NO.	QTY.	PARTS	
A	8	M6X40mm	
B	18	M6X12mm	
C	6	M4X18mm	
D	24	3.5x16mm	
E	6	3.5x14mm	
F	4	M4X8mm	
G	22	M6X40mm	
H	8	M6X25mm	

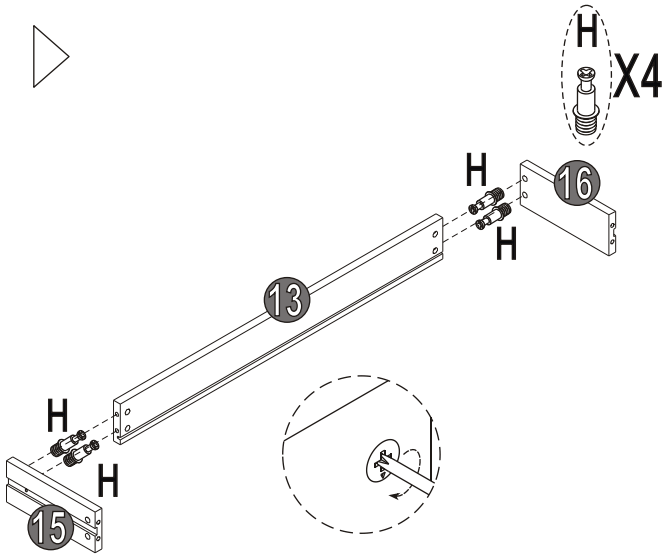
PART NO.	QTY.	PARTS	
I	4	M6x10xH7mm	
J	4		
K	3		
L	2	Ø12xØ16	
M	1		
O	2	M4x24.5mm	
P	2		
Q	2	Ø6.2xØ16	

Installation of Cams and Pins :

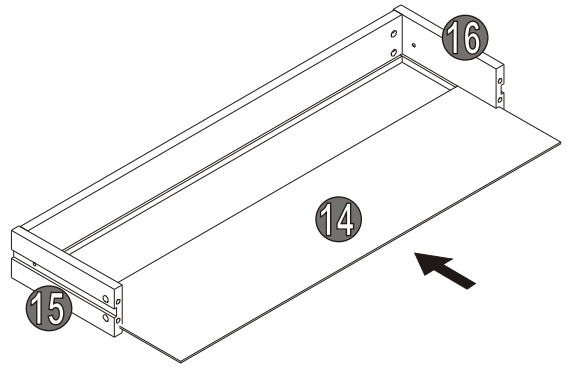
Screw the Pin into hole. To set Cams correctly, ensure the arrow on the Cam opening to the hole of the Pin it is locking. Lock Cam by turning Cam head with screwdriver to be tighten. Please don't use an electric screwdriver to assemble the unit.



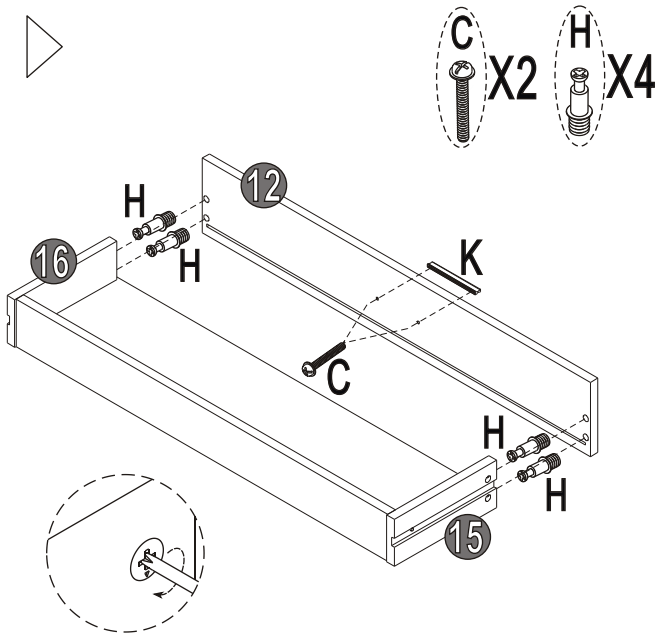
1 ▷



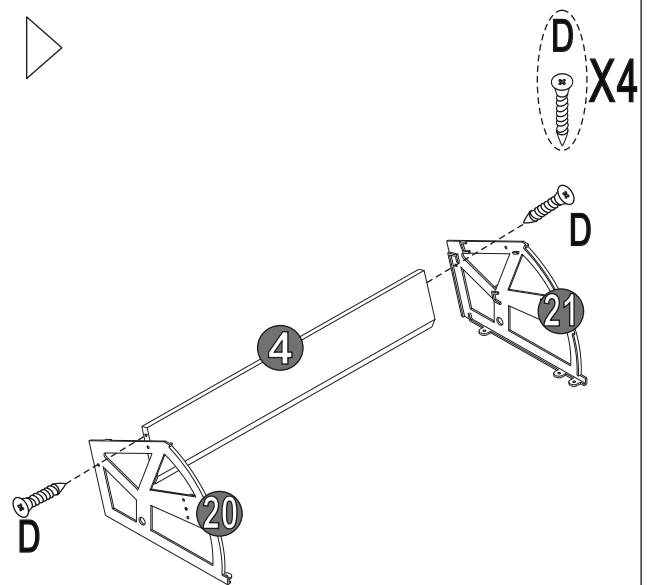
2 ▷



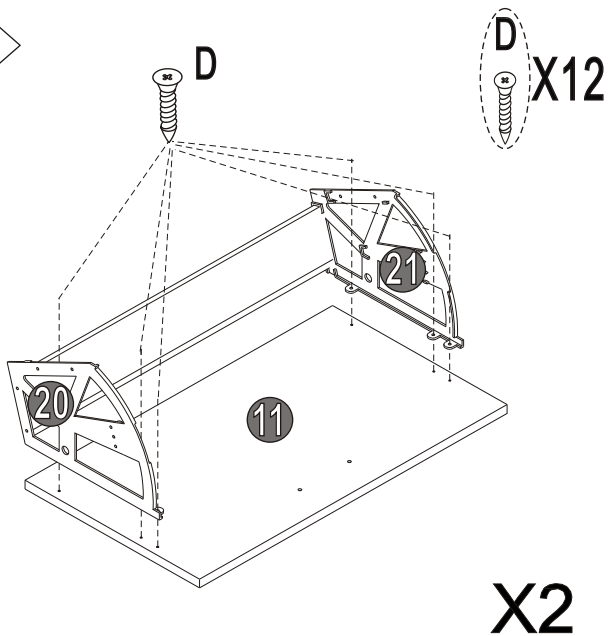
3 ▷



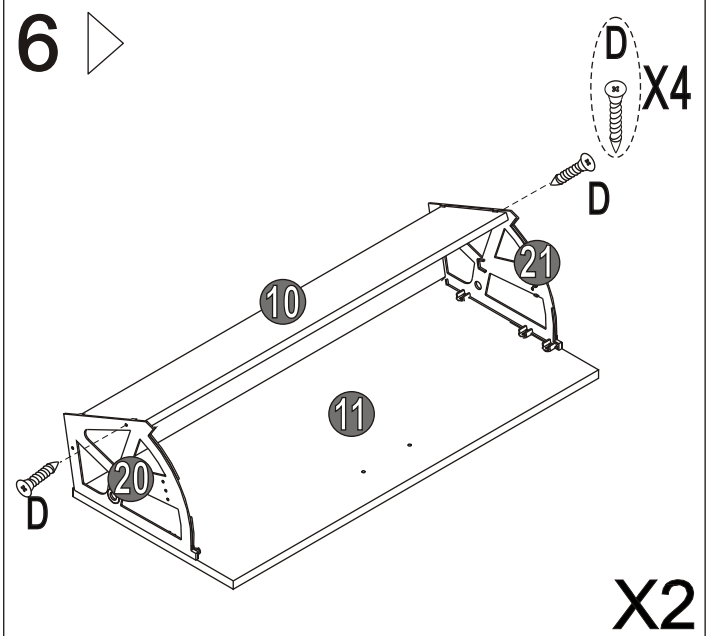
4 ▷



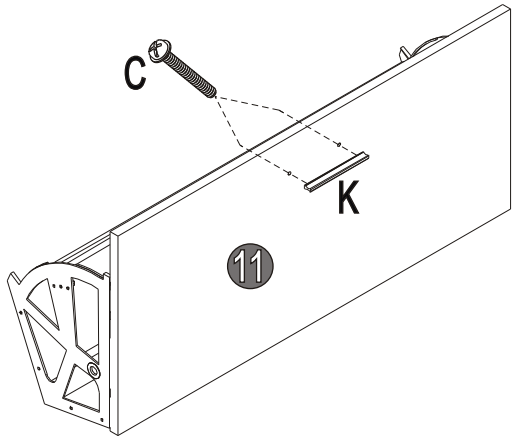
5 ▷



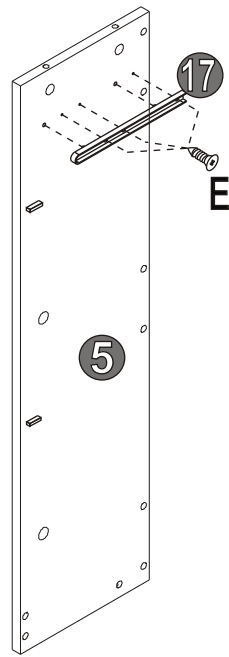
6 ▷



7 ▷

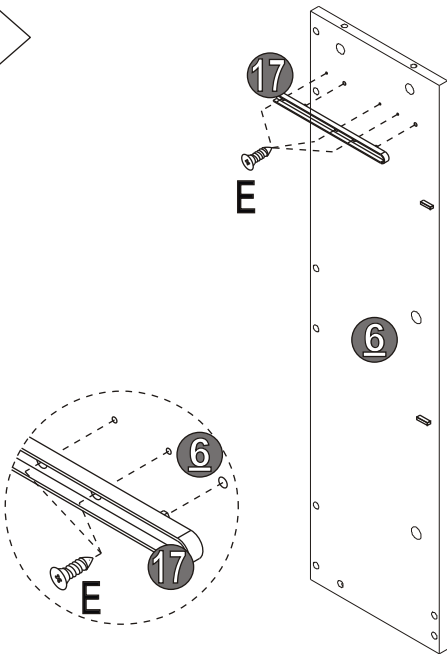


8 ▷

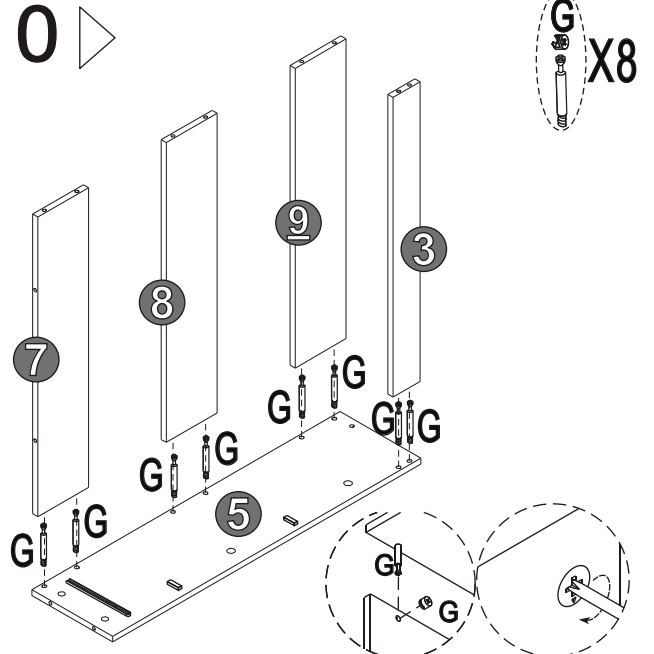


X2

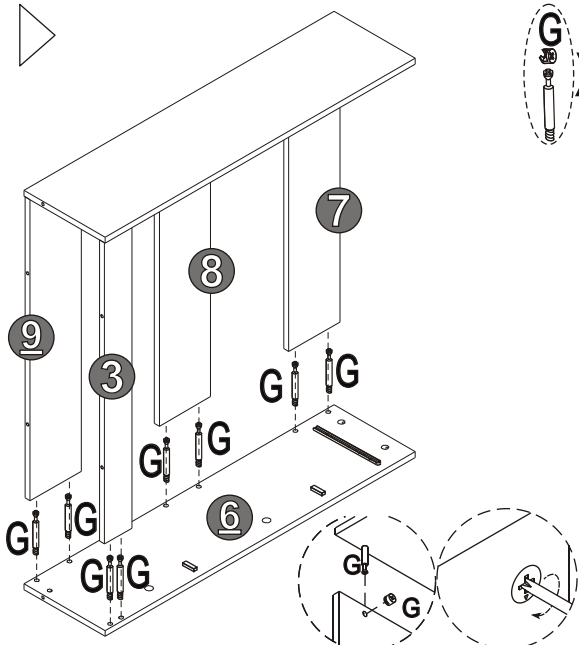
9 ▷



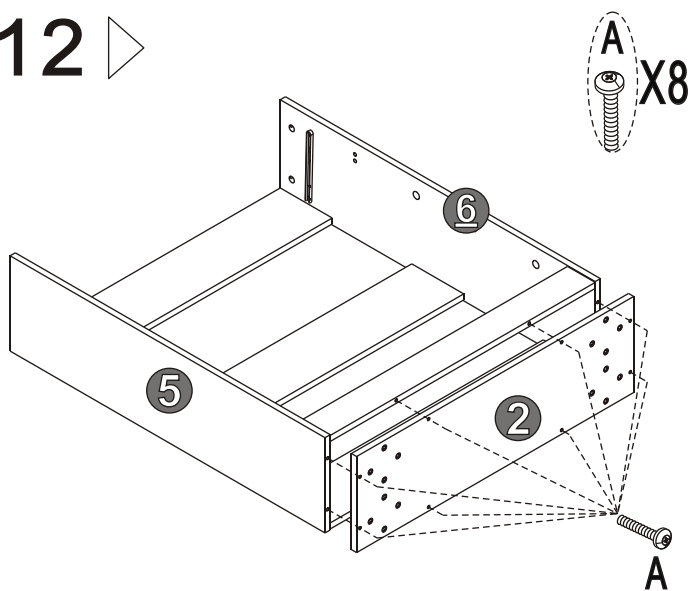
10 ▷



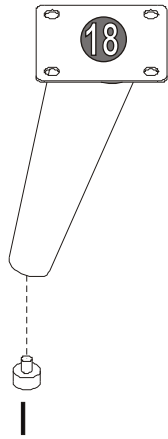
11 ▷



12 ▷

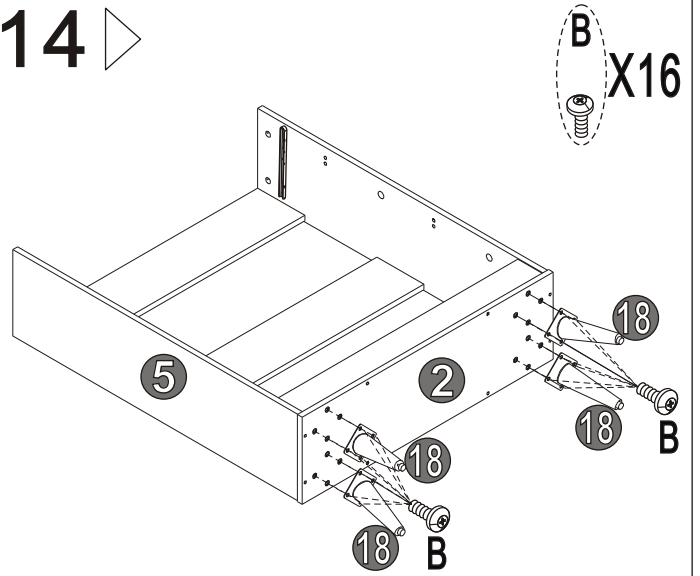


13 ▷

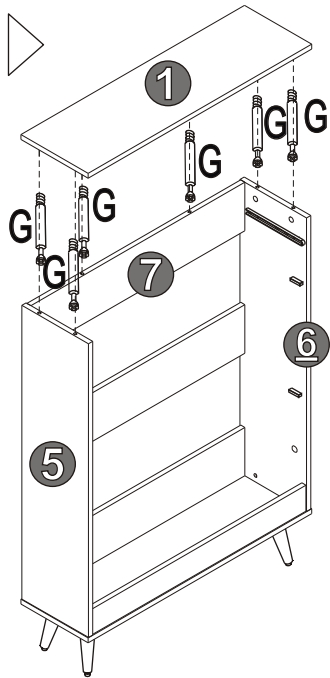


X4

14 ▷

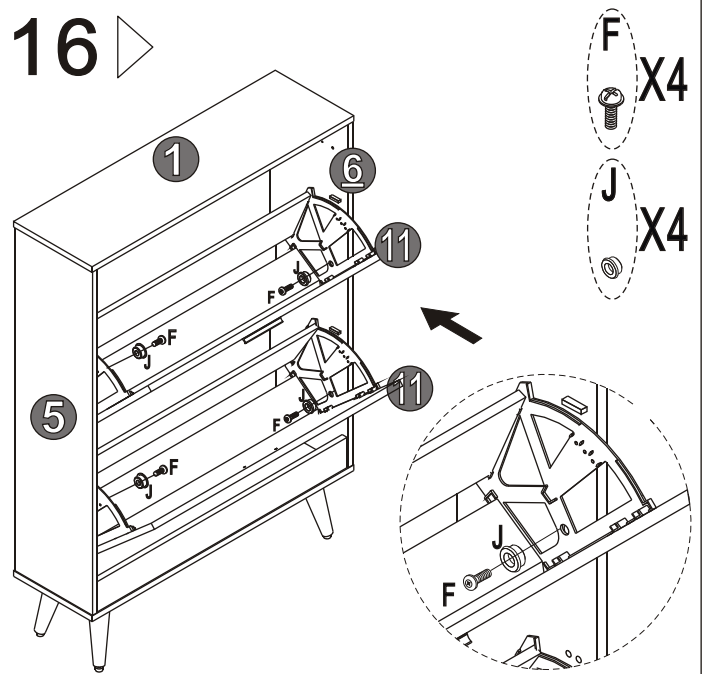


15 ▷



X6

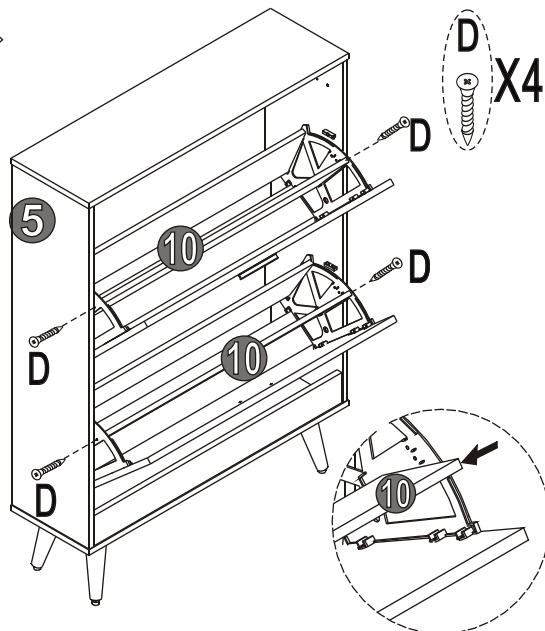
16 ▷



X4

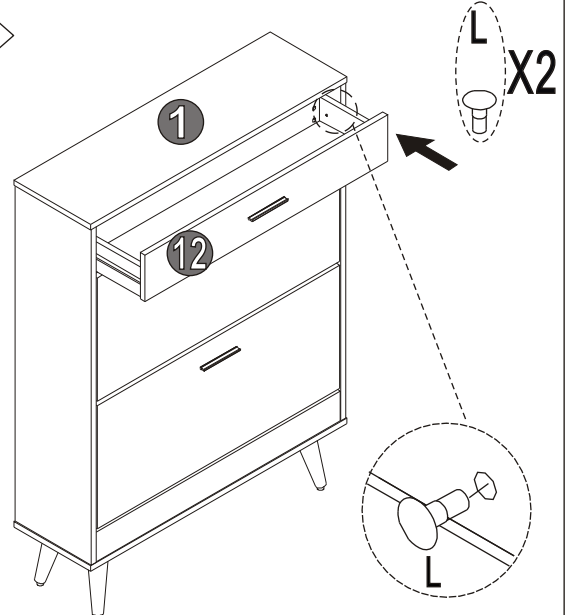
X4

17 ▷



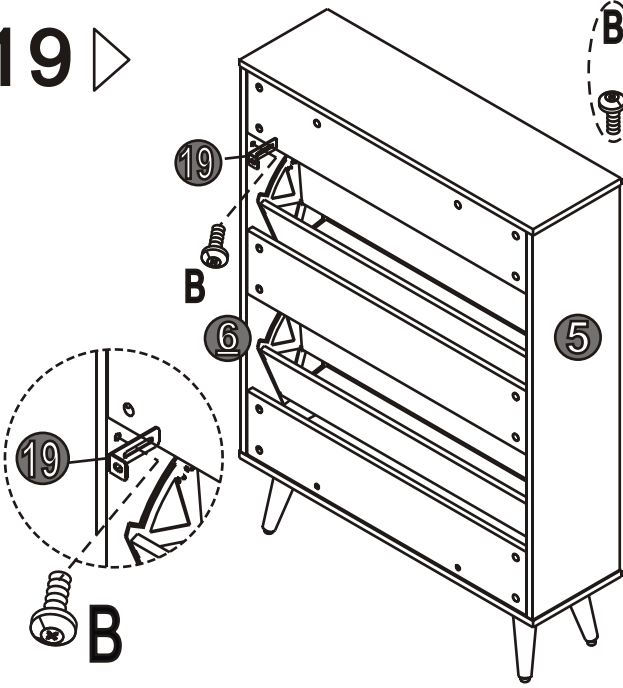
X4

18 ▷



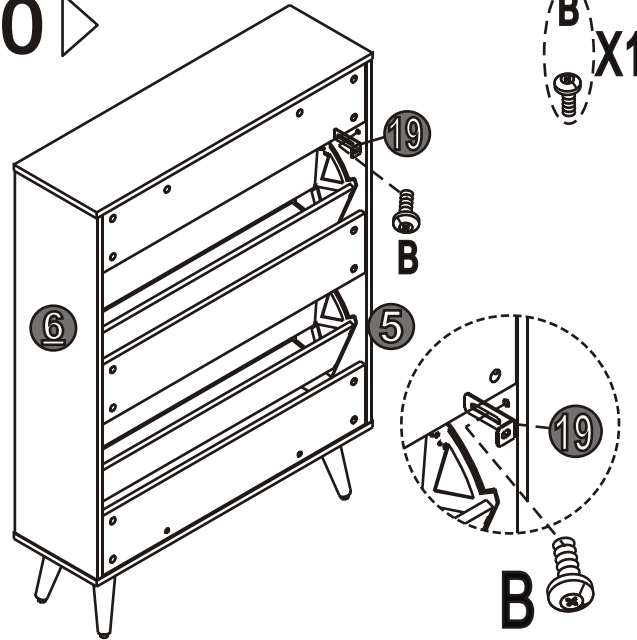
X2

19 ▷



B X1

20 ▷



B X1

21 ▷

O X2 P X2 Q X2

