

ASSEMBLY INSTRUCTIONS CHECKERBOARD RECTANGLE DINING TABLE

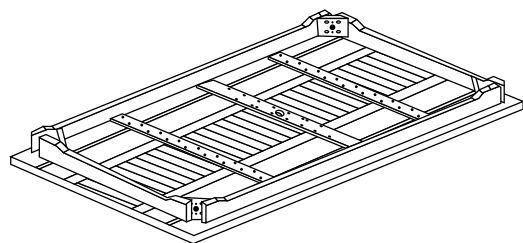
STOP! PLEASE READ FIRST:

Thank you for purchasing this item.

Please verify all the hardware and components are included as you unpack the carton. Place the items in a safe area to avoid loss and damaging contents. Use a soft area or the empty box to assemble the item.



ASSEMBLY TIPS: Assembly upside down with the table top facing down. Never over-tighten any screws or bolts. it's best to assemble with 2 people.

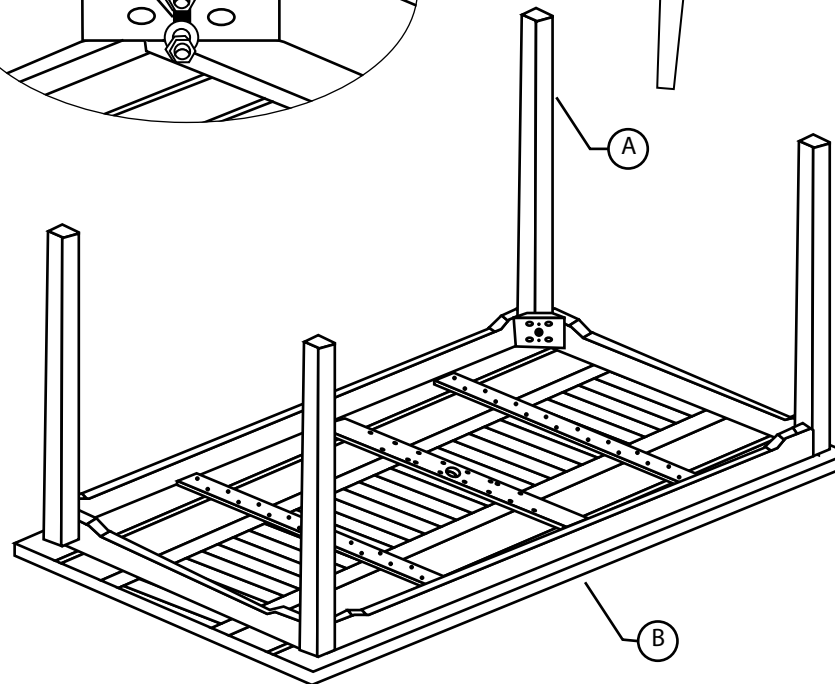
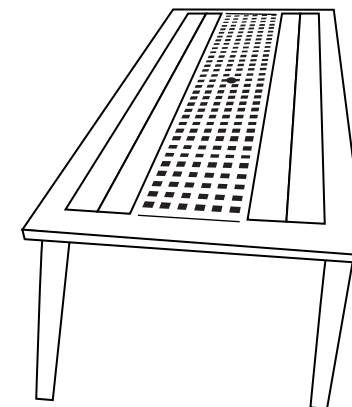
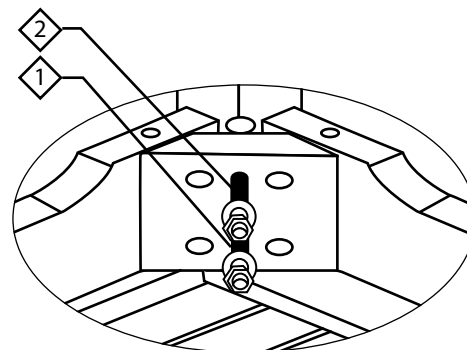
Please review the "PLEASE OIL ME" card for how to care & maintain your new furniture.



Cx1

LIST OF HARDWARE

NO.	HARDWARE	QTY.
1	Hex Nut 5*8*13 	08
2	Washer \varnothing 18x \varnothing 8x1mm 	08



PLEASE NOTE
NUT & WASHER ARE ALREADY AFFIXED
OVER ALL (4) BOLTS AND TABLE LEGS