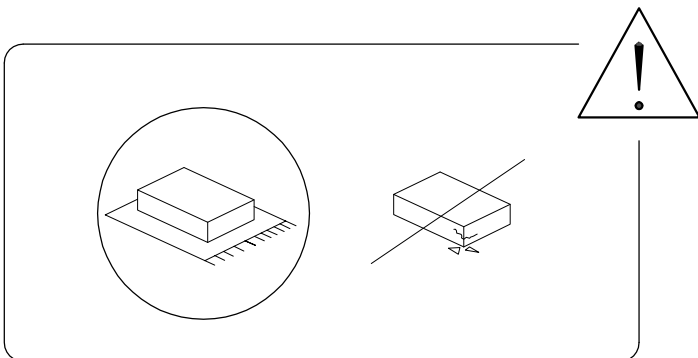
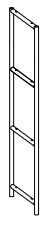

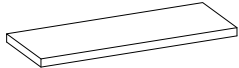
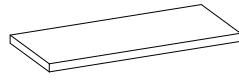
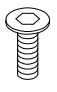
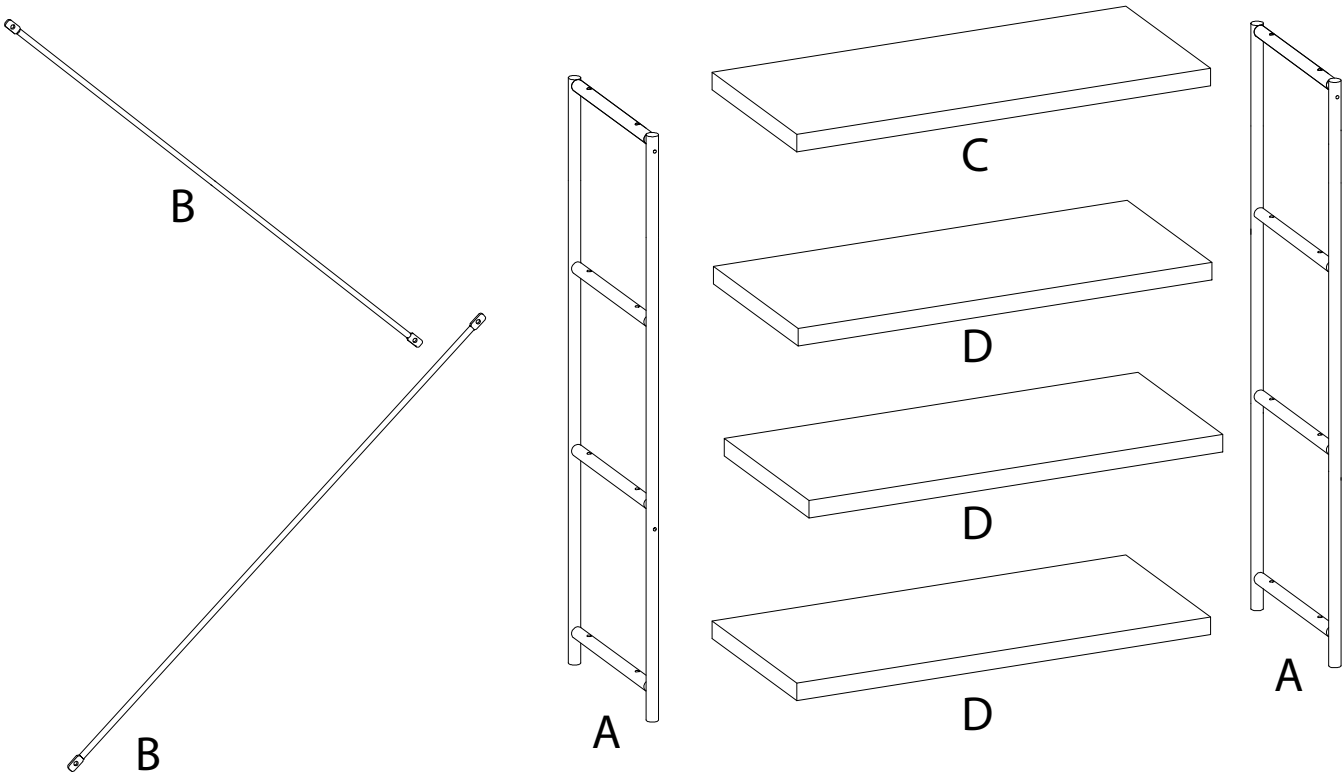


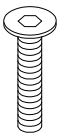

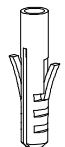

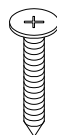

20'



1

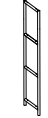
<p><b>A</b></p>  <p><b>x 2</b></p>	<p><b>B</b></p>  <p><b>x 2</b></p>	<p><b>C</b></p>  <p><b>x 1</b></p>	<p><b>D</b></p>  <p><b>x 3</b></p>	<p><b>E</b></p>  <p><b>M6 x 10</b></p> <p><b>x 4</b></p>
---	---	---	--	---



<p><b>F</b></p>  <p><b>M6 x 35</b></p> <p><b>x 16</b></p>	<p><b>G</b></p>  <p><b>x 1</b></p>	<p><b>H</b></p>  <p><b>x 1</b></p>	<p><b>I</b></p>  <p><b>x 1</b></p>	<p><b>J</b></p>  <p><b>M4 x 35</b></p> <p><b>x 1</b></p>	<p><b>K</b></p>  <p><b>M3.5 x 16</b></p> <p><b>x 1</b></p>
--	---	---	---	---	---

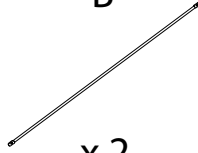
1

A



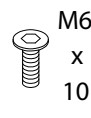
x 2

B



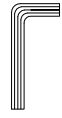
x 2

E

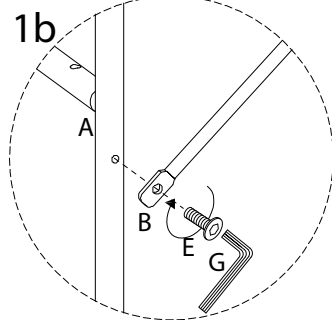
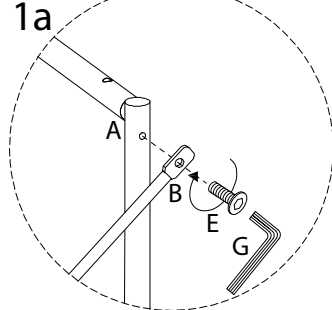
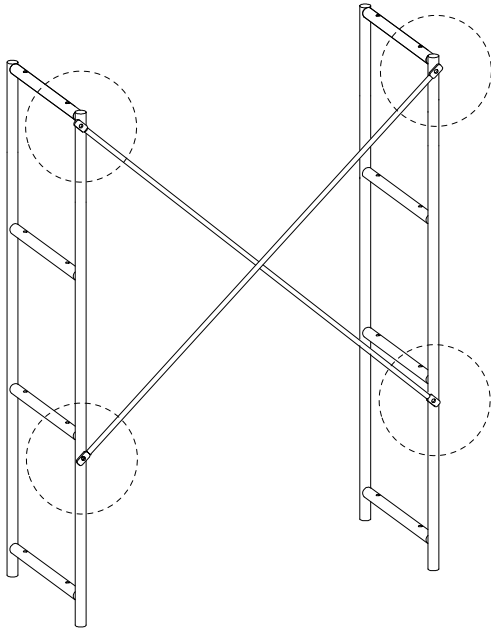


x 4

G

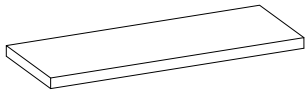


x 1



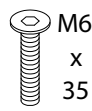
2

C



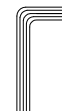
x 1

F

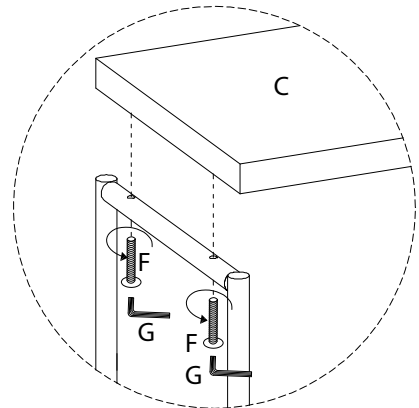
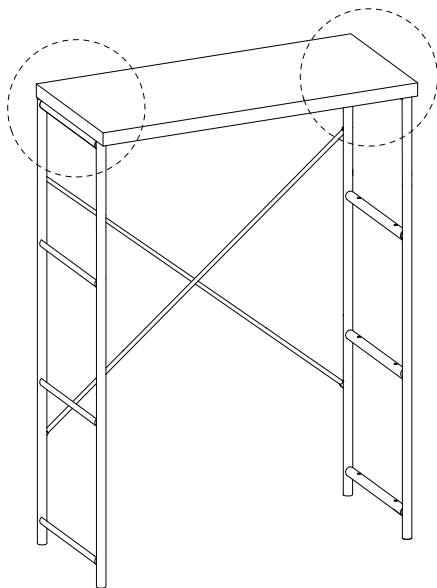


x 4

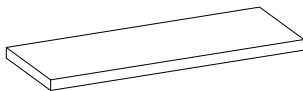
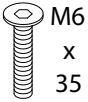

G

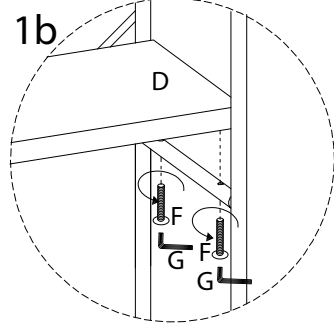
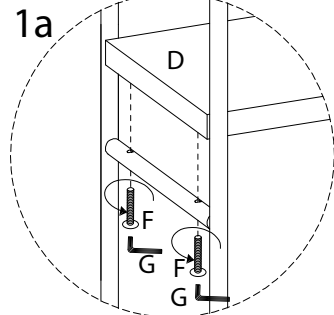
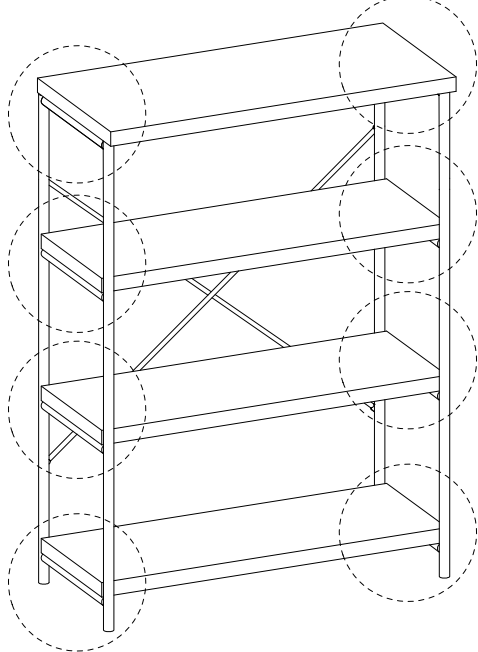


x 1



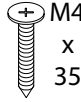



3

<b>D</b>  x 3	<b>F</b>  M6 x 35 x 12	<b>G</b>  x 1
--	---	--



4

<b>H</b>  x 1	<b>I</b>  x 1	<b>J</b>  M4 x 35 x 1	<b>K</b>  M3.5 x 16 x 1
--	--	---	--

