






ASSEMBLY INSTRUCTIONS

BENCH

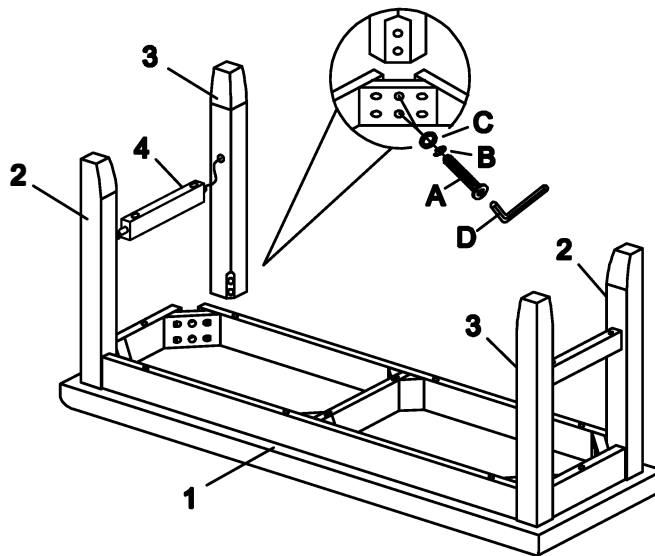
Important note :

- Place all wooden parts on a clean and smooth surface such as a rug or carpet to avoid scratching the parts.
- Kindly follow the assembly instructions step by step.
- Do not tighten all screws and bolts until the bench is fully assembled.

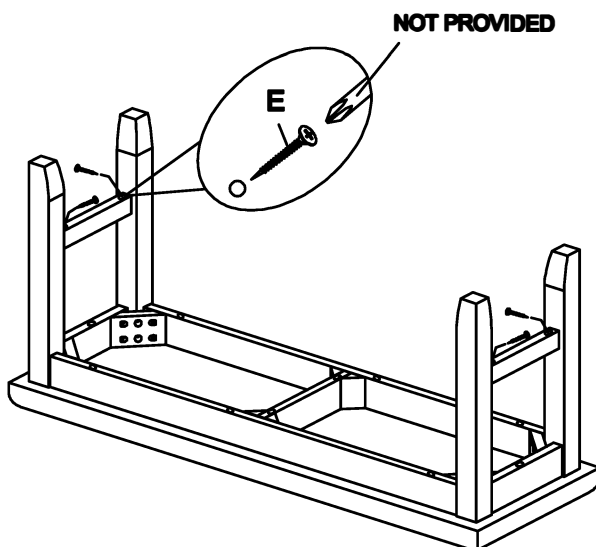
NO	COMPONENT	QTY
1	CUSHION SEAT	1
2	RIGHT LEG	2
3	LEFT LEG	2
4	STRETCHER	2

NO	HARDWARE		QTY
A	BOLT		8
B	SPRING WASHER		8
C	FLAT WASHER		8
D	ALLEN KEY		1
E	SCREW		4

STEP 1



STEP 2



STEP 3

