

ASSEMBLY INSTRUCTIONS

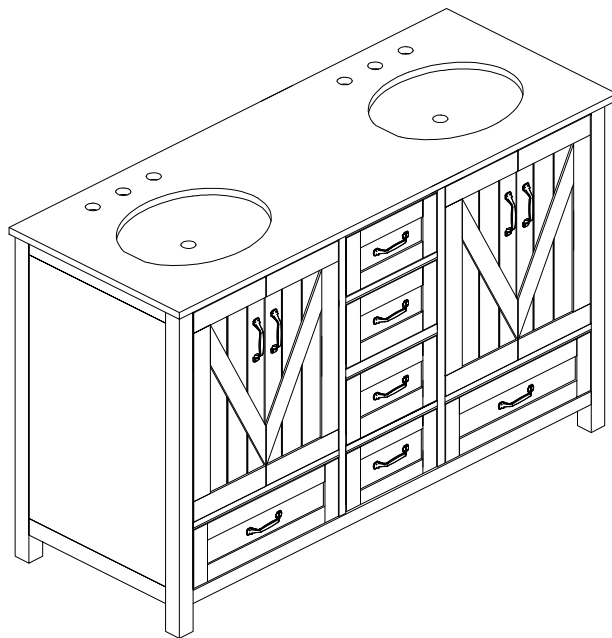


Table of Contents

Table of Contents.....	2	Maintenance.....	7
Safety Information.....	2	Care and Cleaning.....	7
Warranty.....	2	IMPORTANT HEALTH NOTICE.....	7
What Is Covered.....	2		
What is Not Covered.....	2		
Pre-Assembly.....	3		
Planning Assembly.....	3		
Dimensions.....	3		
Hardware Included.....	3		
Package contents.....	4		
Assembly.....	5-6		

Safety Information

Read and understand these instructions before attempting to install or use this product.



CAUTION: Use caution when lifting heavy objects. Lifting heavy objects improperly could cause serious injury.



NOTE: Handle with care. Do not drop or handle roughly, as this could damage the linen cabinet.

Warranty

This vanity product comes with a manufacturer Limited Lifetime Warranty. The warranty applies to the original purchaser of the vanity and guarantees that the surface will not wear through or peel off. Installation of the product confirms your acceptance of the product. Failure to follow Pre-installation and installation guidelines will void the warranty. The warranty does not cover damage from improper use, care or maintenance, including scratching, exposure to moisture and humidity, water damage, denting, fading,

Pre-Assembly

PLANNING INSTALLATION

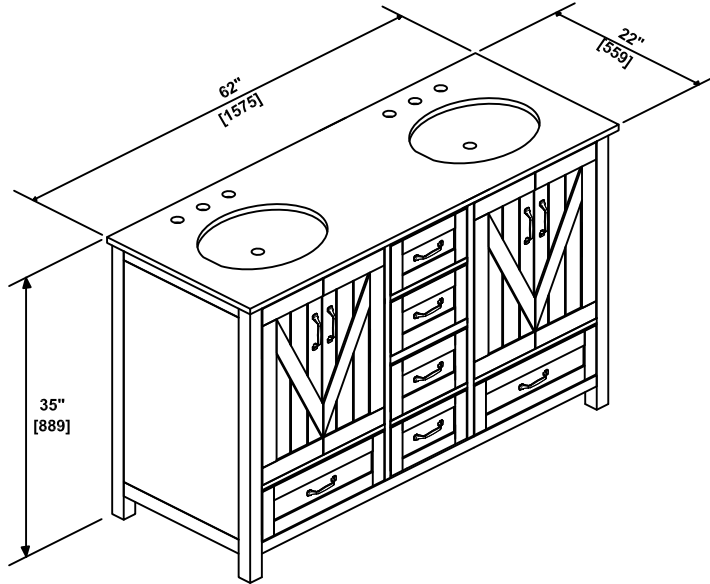
Check the vanity for damage before installation. If any part of the vanity is missing or damaged, contact the Customer Service

Ensure that the vanity location is accessible to water supply and drain lines. It is recommended that you rough-in the water lines and drain before installing the vanity.



NOTE: A drain pipe and trap are not included with this vanity.

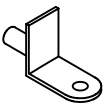
DIMENSIONS



HARDWARE INCLUDED



NOTE: Hardware not shown to actual size.

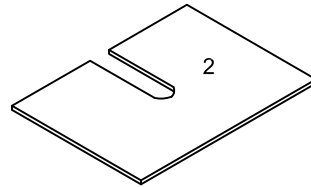
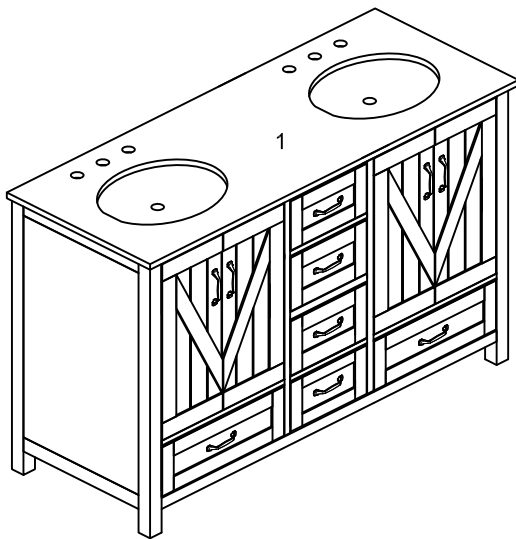


— A

PART	DESCRIPTION	QUANTITY
A	SHELF BRACKETS	4

Pre-Assembly

PACKAGE CONTENTS

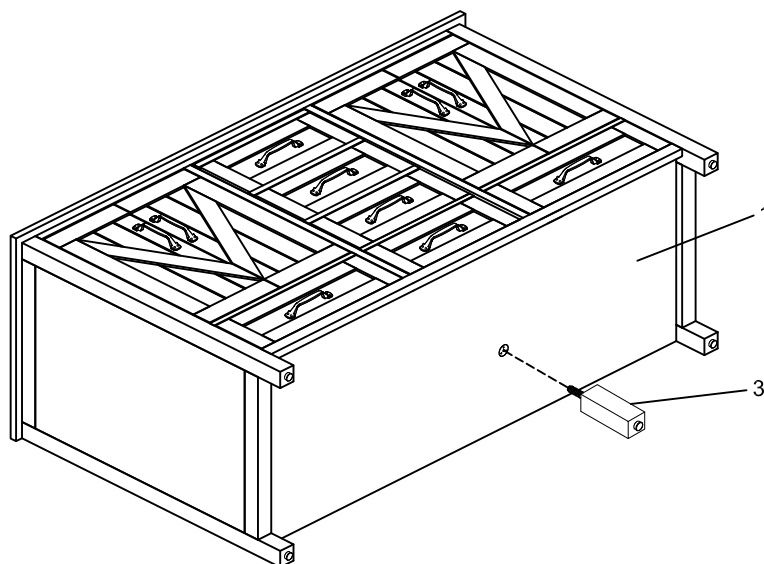


PART	DESCREPTION	QUANTITY
1	MAIN BODY	1
2	SHELVE	1
3	FOOT	1

Assembly

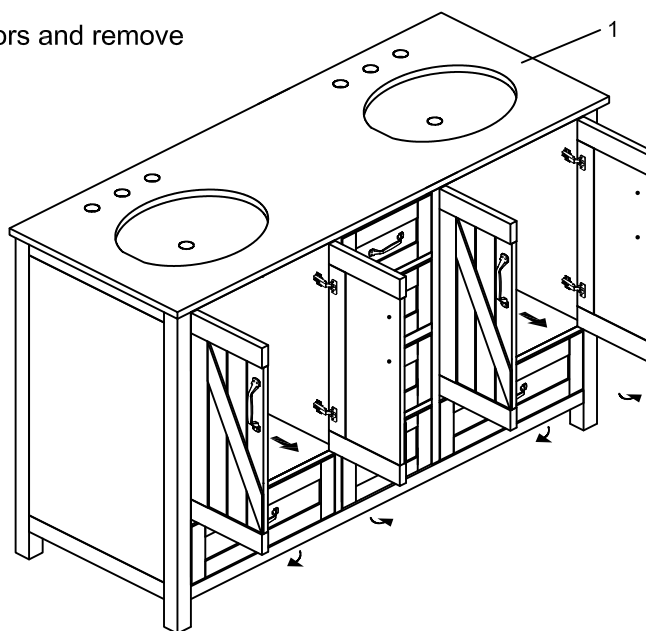
1 Assemble feet.

- Firstly, place main part(1) upside down on a clean smooth surface. rotate the feet(3) into the holes in the main part(1).



2 Preparing the main body.

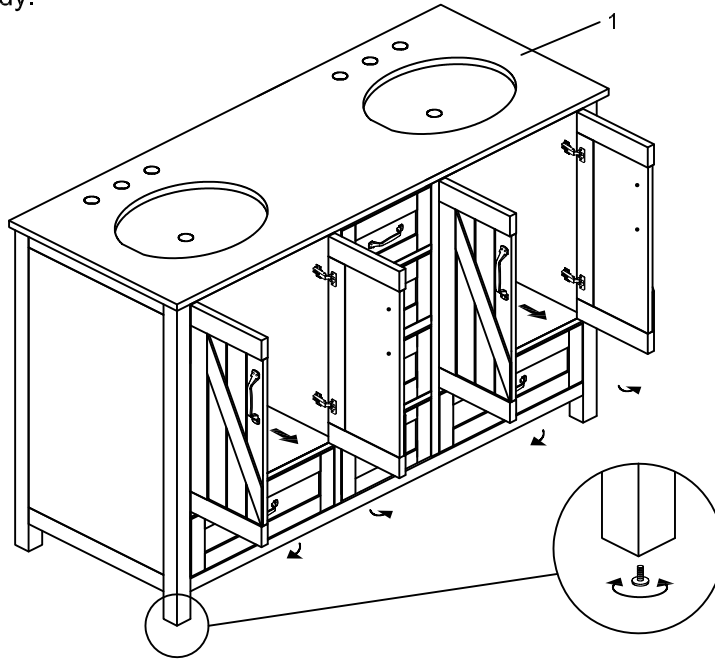
- Place the main body(1) in the desired location.
- Open the cabinet doors and remove the foam.



Assembly

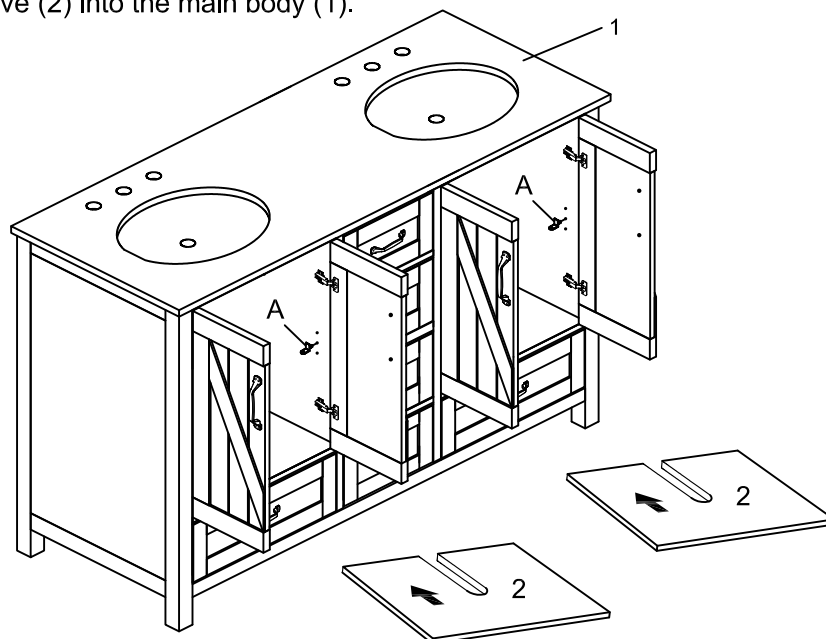
3 Leveling the main body.

- Twist the adjustable feet to ensure that main body is level and steady.



4 Assemble the shelf.

- Insert the 4 shelf brackets (A) into the desired holes. Ensure that all the shelf brackets (A) are level.
- Gently insert the shelf (2) into the main body (1).



Maintenance

- If your furniture is stained or otherwise damaged during use, contact a professional for repairs.

Care and Cleaning

- Use a soft, clean cloth that will not scratch the surface when dusting.
- Use of furniture polishes is not necessary. Should you choose to use polishes, test the polish in an inconspicuous area before using over the entire surface of the product.
- Using solvents of any kind on your furniture may damage the finish.
- Never use water to clean your furniture as it may cause damage to the finish.
- Always use coasters under beverage glasses and flowerpots.
- Liquid spills should be removed immediately. Using a soft, clean cloth, blot the spill gently. Avoid rubbing.
- Always use protective pads under hot dishes and plates. Heat can cause chemical changes that may create spotting within the furniture finish.
- Use care as stains or marks from crayons or ink markers will be difficult to remove.
- Be sure to immediately clean red wine or soda stains within 30 minutes or the surface will stain.

"IMPORTANT HEALTH NOTICE.

SOME OF THE BUILDING MATERIALS USED IN THIS HOME (OR THESE BUILDING MATERIALS) EMIT FORMALDEHYDE.EYE.NOSE.AND THROAT IRRITATION.HEADACHE. NAUSEA AND A VARIETY OF ASTHMA-LIKE SYMPTOMS.INCLUDING SHORTNESS OF BREATH. HAVE BEEN REPORTED AS A RESULT OF FORMALDEHYDE EXPOSURE.ELDERLY PERSONS AND YOUNG CHILDREN.AS WELL AS ANYONE WITH A HISTORY OF ASTHMA.ALLERGIES. OR LUNG PROBLEMS.MAY BE AT GREATER RISK.RESEARCH IS CONTINUING ON THE POSSIBLE LONG-TERM EFFECTS OF EXPOSURE TO FORMALDEHYDE.

REDUCED VENTILATION MAY ALLOW FORMALDEHYDE AND OTHER CONTAMINANTS TO ACCUMULATE IN THE INDOOR AIR. HIGH INDOOR TEMPERATURES AND HUMIDITY RAISE FORMALDEHYDE LEVELS.WHEN A HOME IS TO BE LOCATED IN AREAS SUBJECT TO EXTREME SUMMER TEMPERATURES. AN AIR-CONDITIONING SYSTEM CAN BE USED TO CONTROL INDOOR TEMPERATURE LEVELS. OTHER MEANS OF CONTROLLES MECHANICAL VENTILATION CAN BE USED TO REDUCE LEVELS OF FORMALDEHYDE AND OTHER INDOOR AIR CONTAMINANTS.

IF YOU HAVE ANY QUESTIONS REGARDING THE HEALTH EFFECTS OF FORMALDEHYDE. CONSULT YOUR DOCTOR OR LOCAL HEALTH DEPARTMENT."