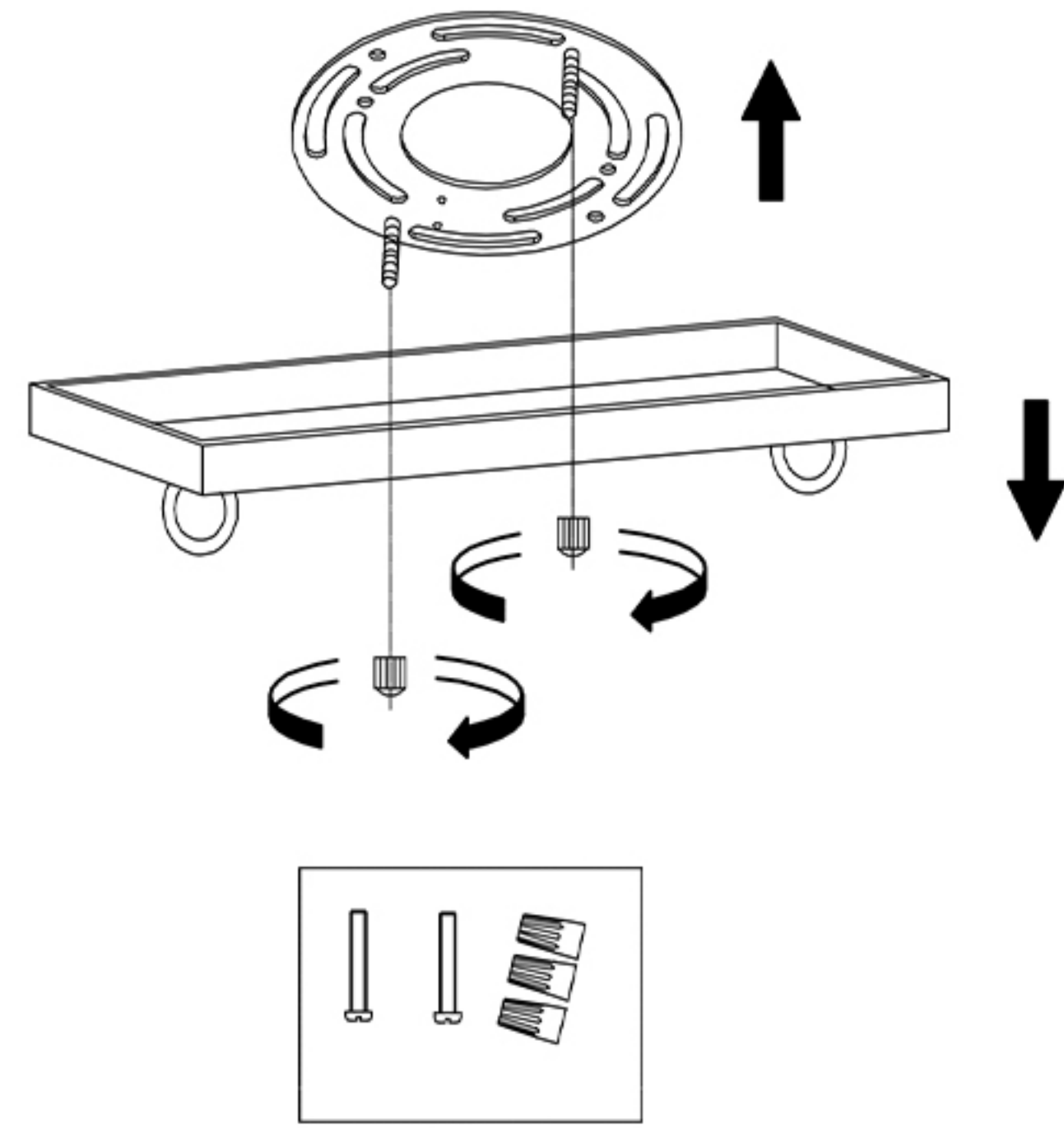
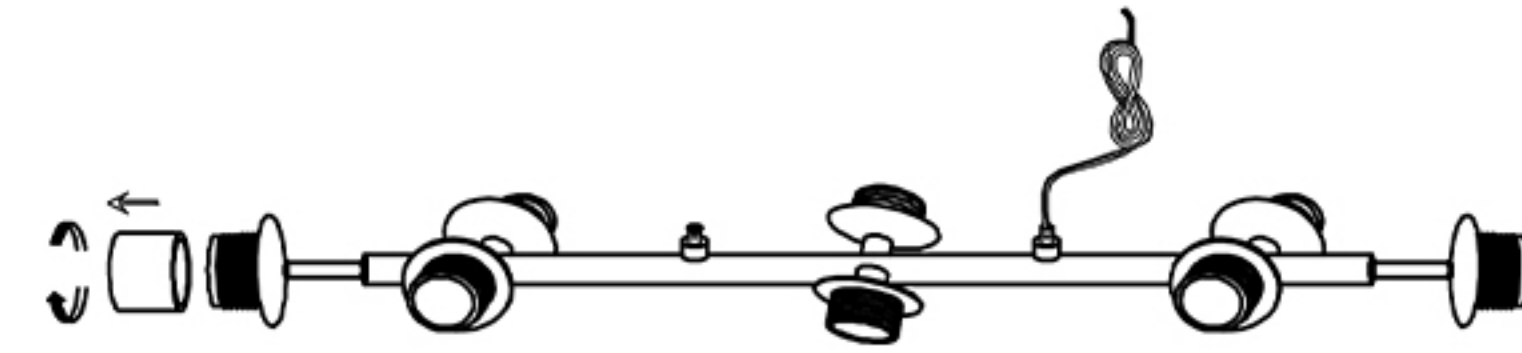


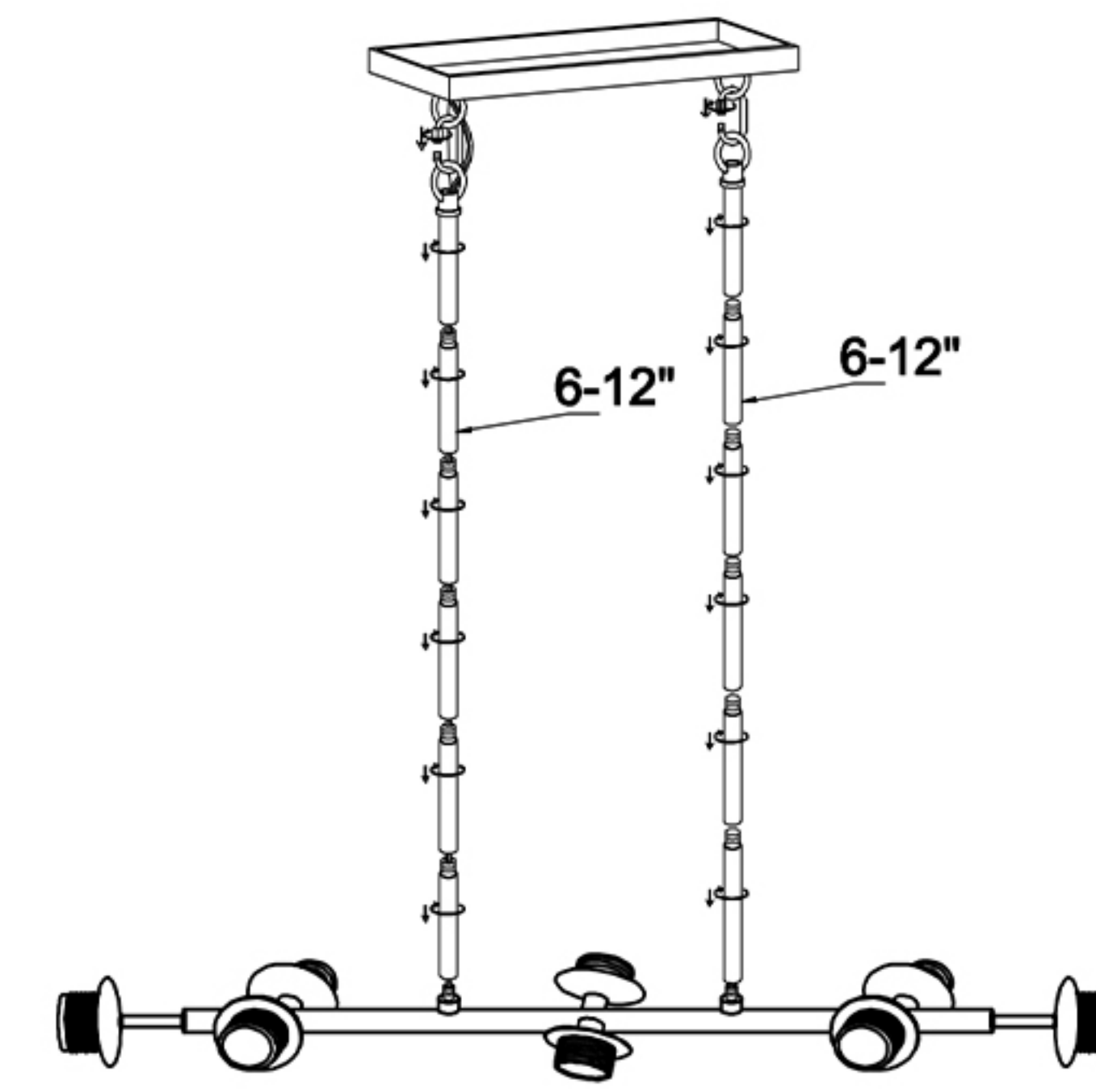
1. Power off.



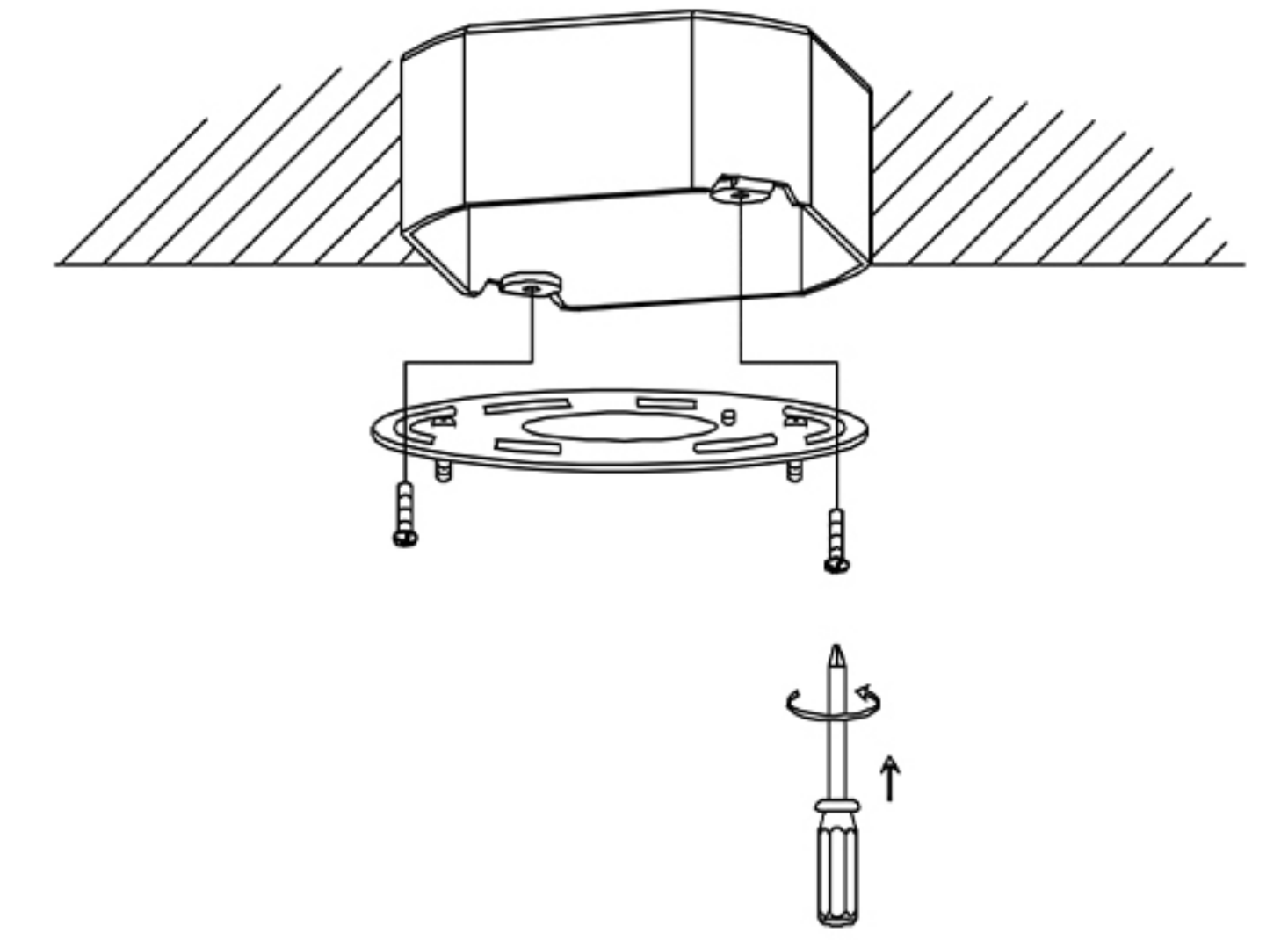
2. Unscrew nut (F) on canopy(E).



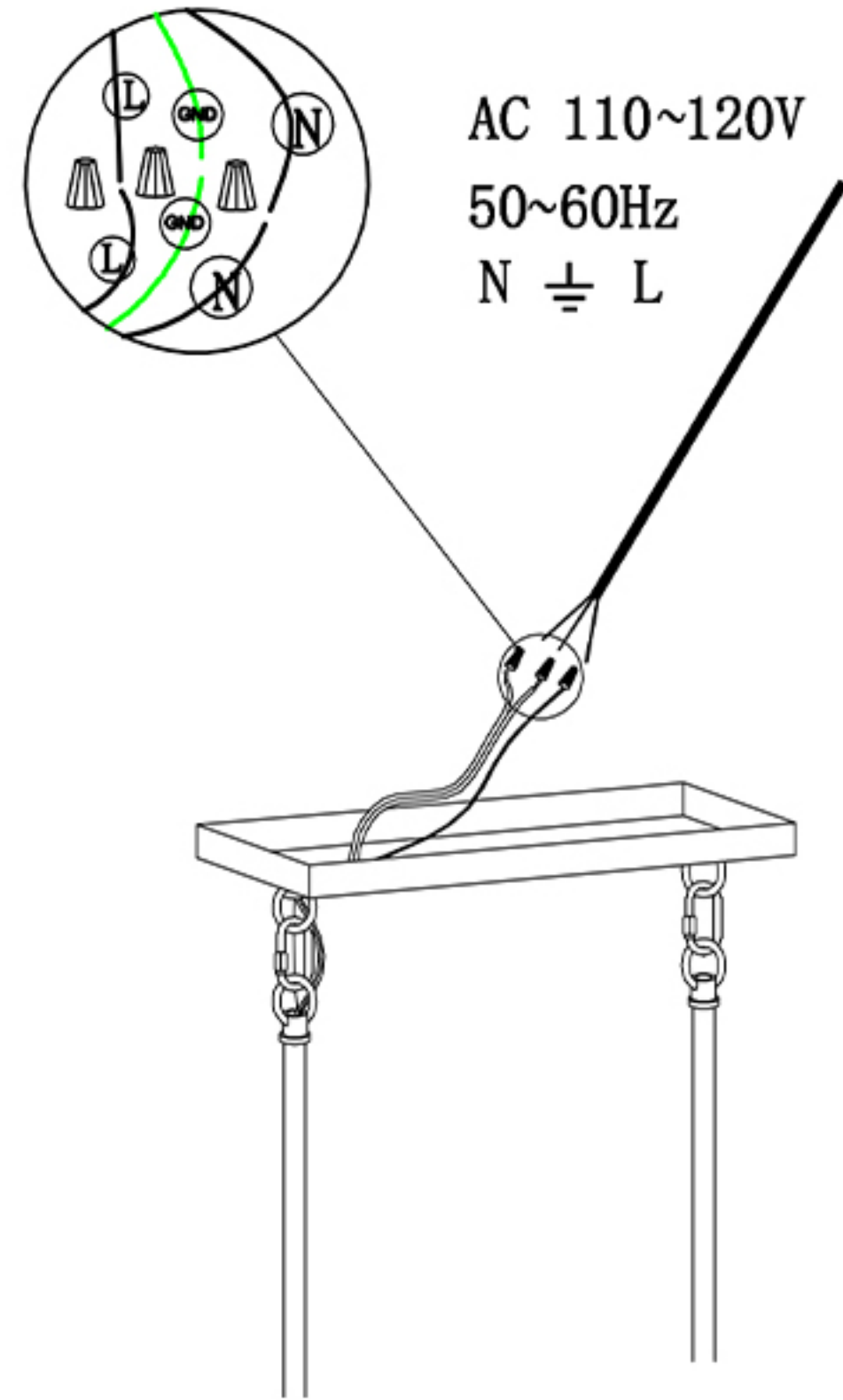
3. Twist the eight lock ring (K) inside the light frame(J).



4. Tighten the straight pipe (H)(I) from the bottom up, and the wire should pass through each pipe when twisted, and the top need is the straight pipe (H), and tighten with the buckle (G).

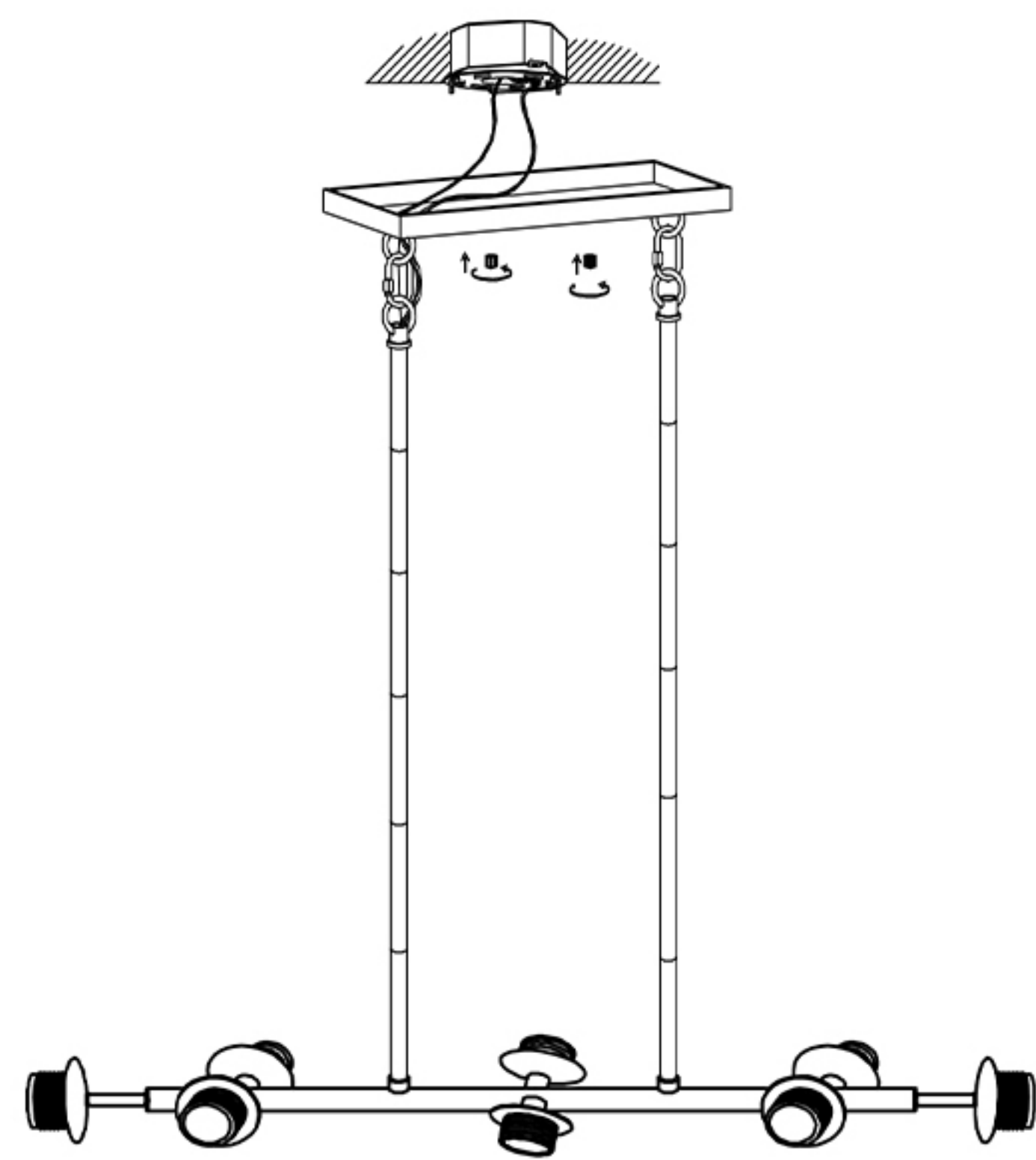


5. The mounting plate (D) is twisted on the junction box(A) with screws (B) to install the mounting plate.

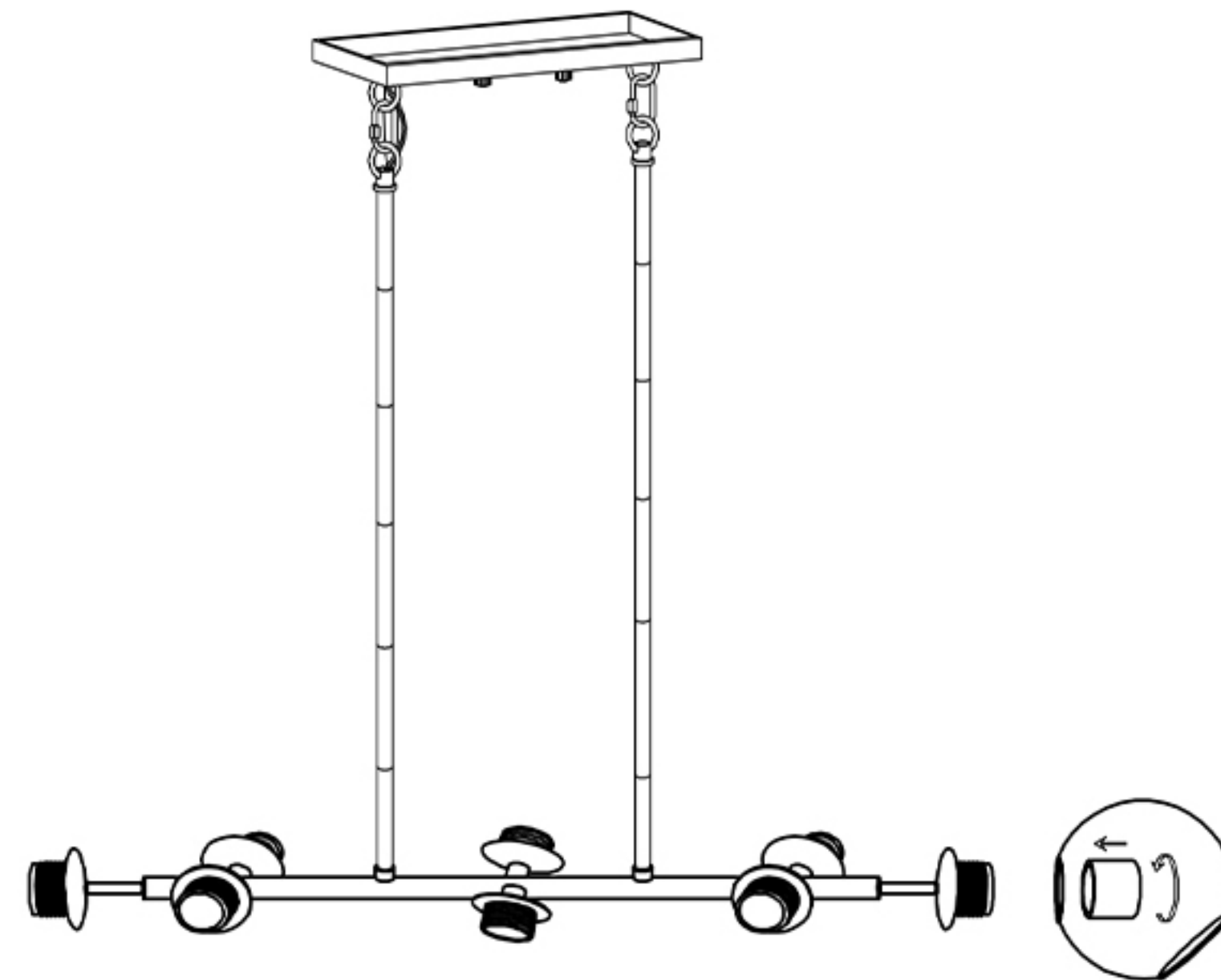


AC 110~120V
50~60Hz
N ≡ L

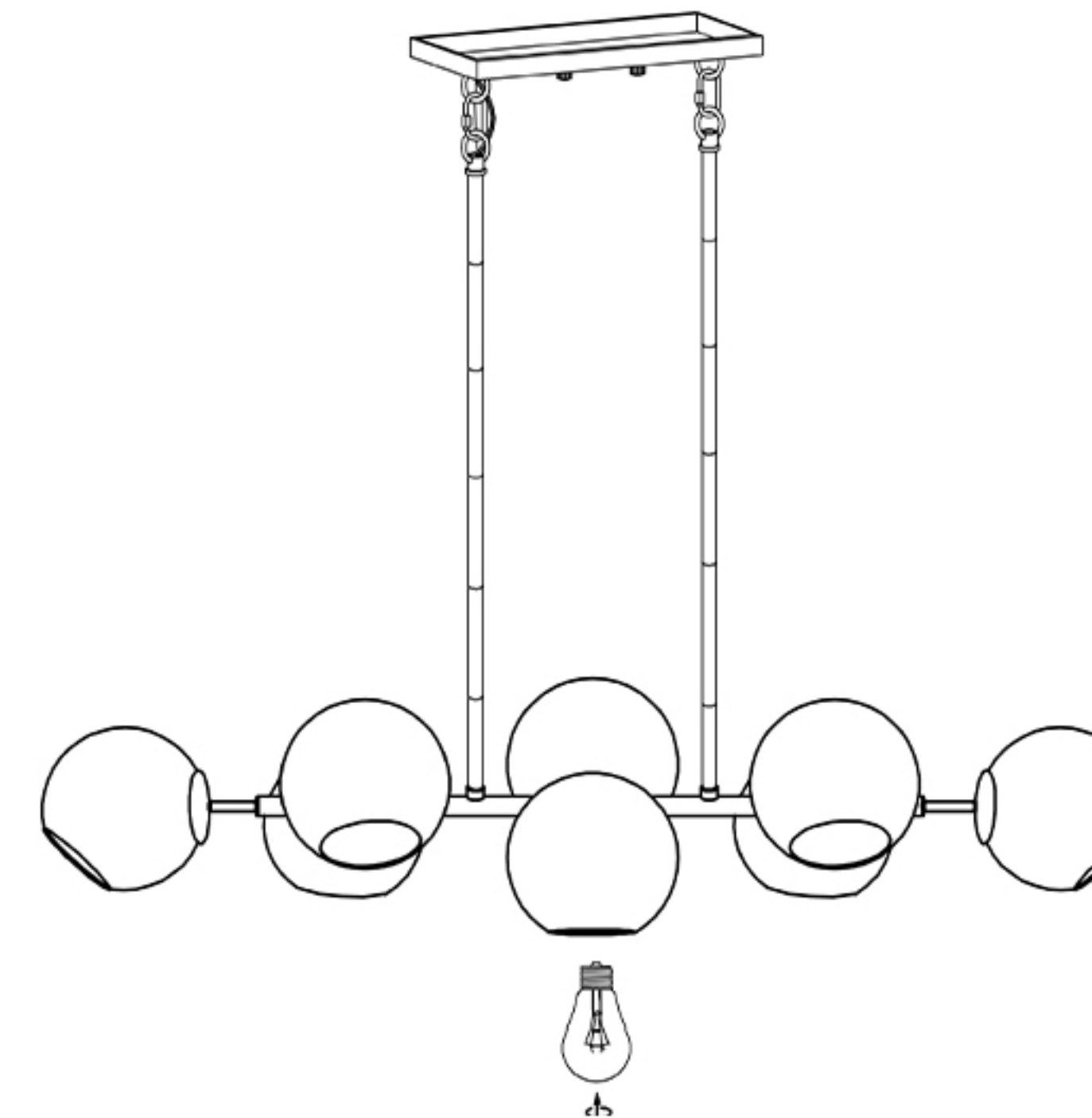
6. Connect the positive and negative electrodes of the wire wrap them with electrical tape and connect them with wiring cap (C).



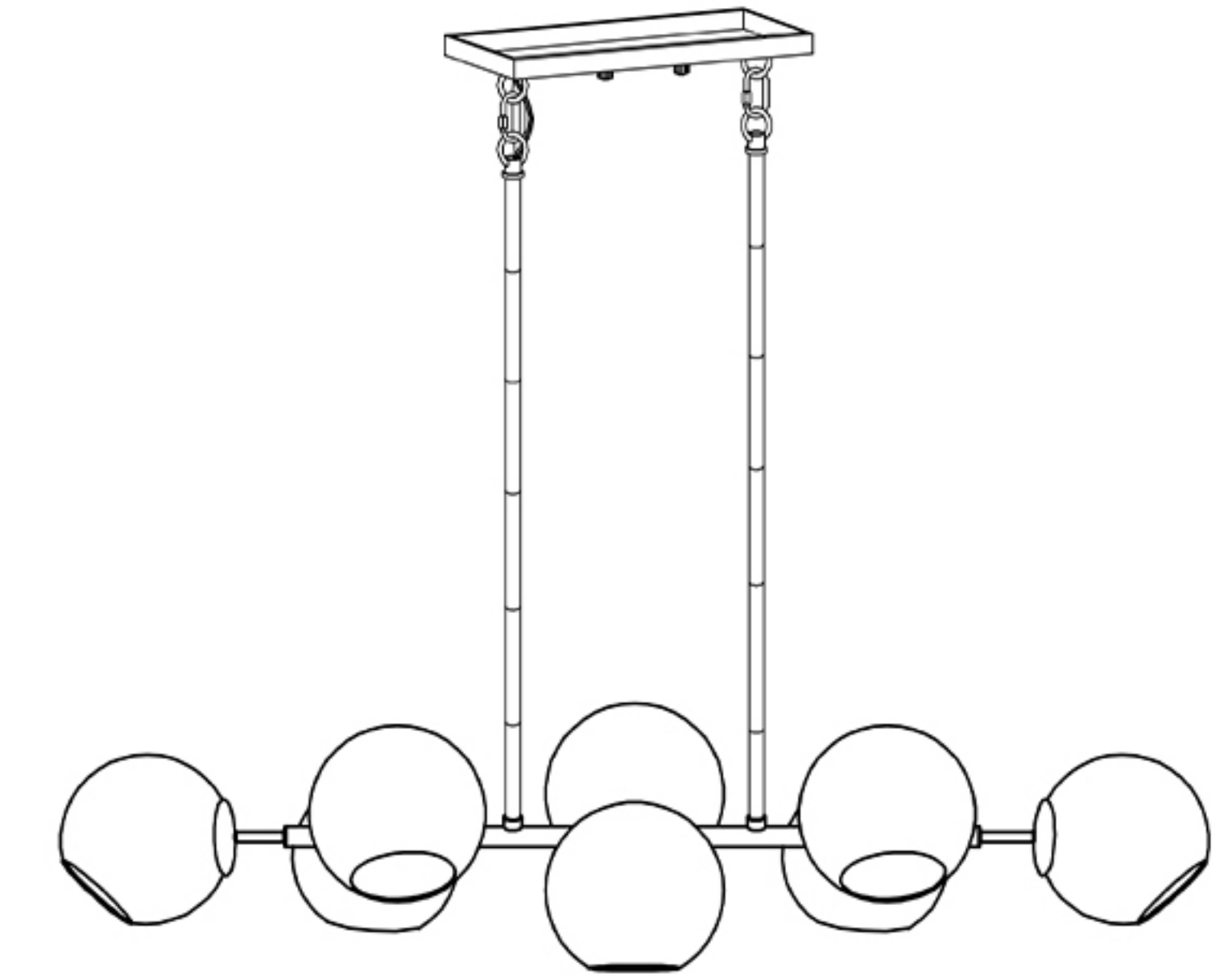
7. The two holes on the canopy(E) correspond to screws (B).



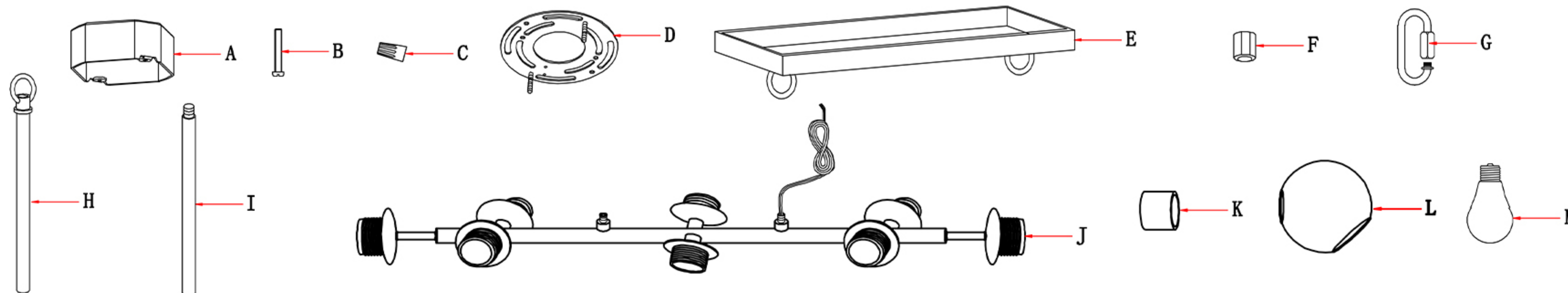
8. Install the glass shade(L)and secure the lamp shade to the lamp holder with a locking ring(K).



9. Install light b.ulbs (M) (excluding light bulbs).



10. After installation, turn on the light for the test.



A:Junction Box*0(Not included) B:Screws*2 C:Wiring Cap*3
D:Mounting Plate*1 E:Canopy*1 F:Nut*2 G:Buckle*2
H:Rod+Ring*2 I:Rod*10 J:Light Frame*1 K:Lock Ring*8
L:Glass Shade*8 M:Bulb*0(Not included)