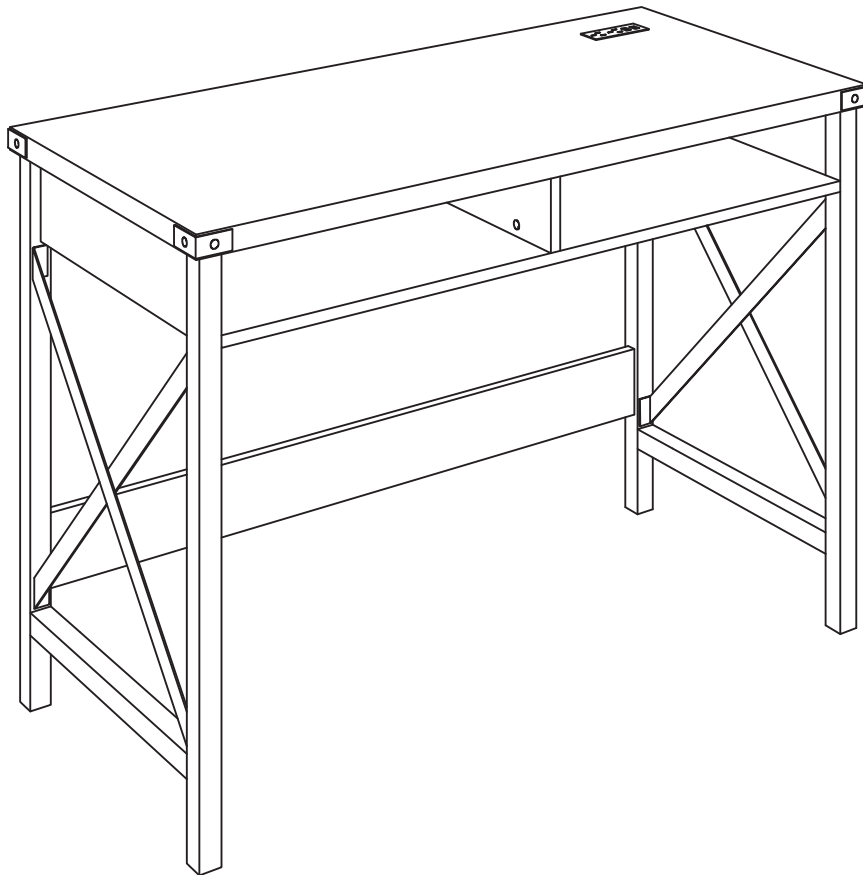


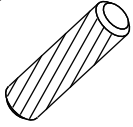




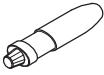
42" DESK W/ CHARGING STATION



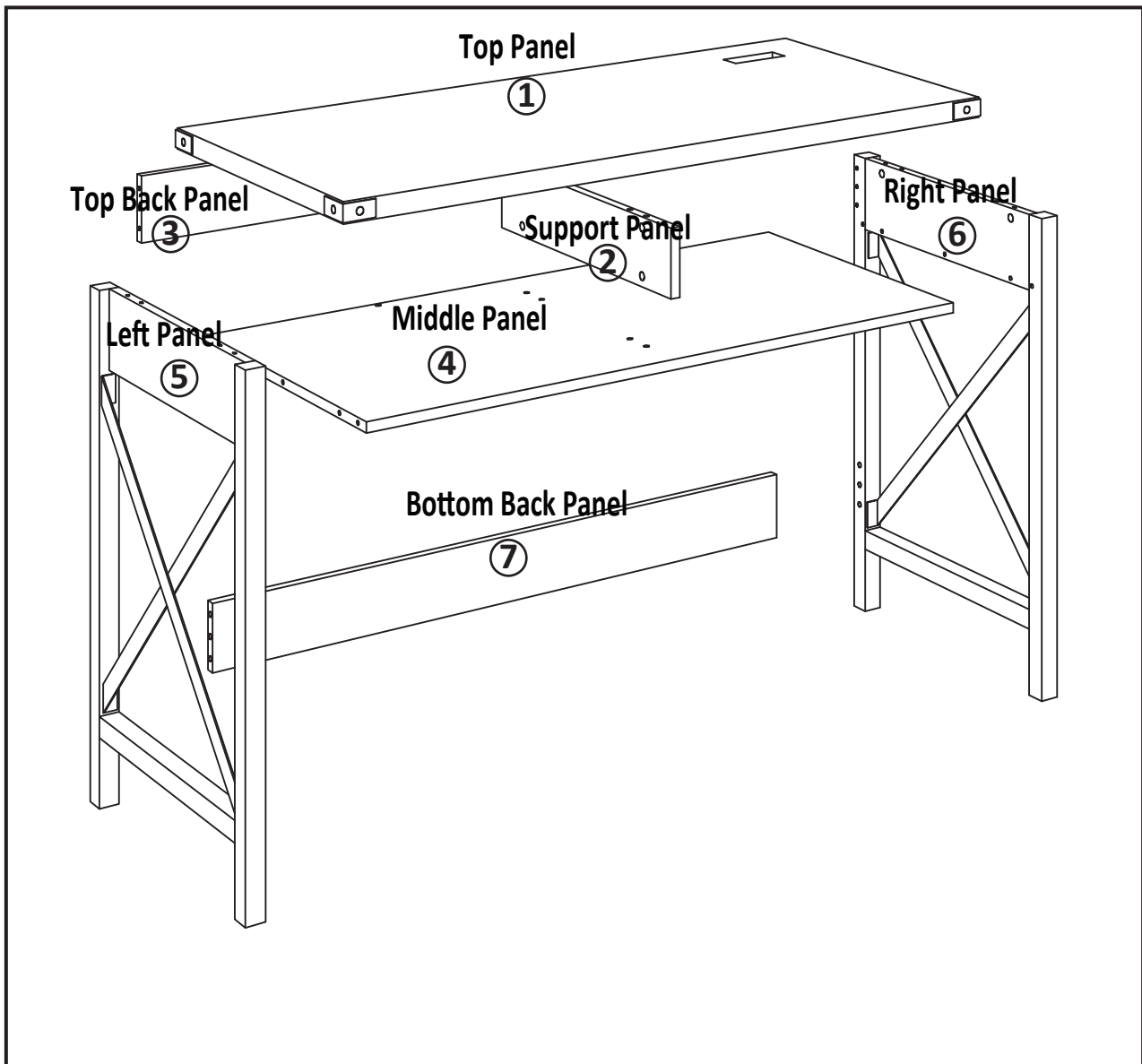
ASSEMBLY INSTRUCTIONS

We have designed our furniture with you , the customer in mind . Our clear , easy to follow , step by step instructions will guide you through the project from start to finish . Feel confident that this will be a fun and rewarding project . The final product will be a quality piece of furniture that will go together smoothly and give years of enjoyment .

Hardware List

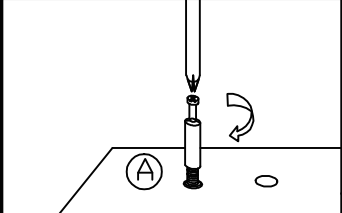
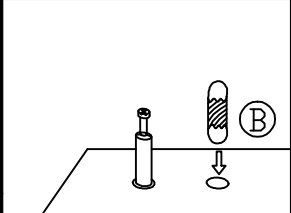
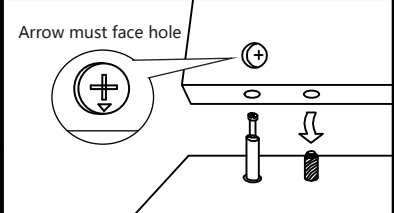
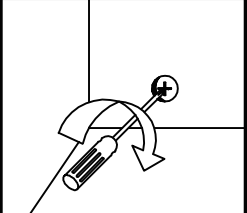
A 	B 	C 	D 	E 
Wood Dowel (18pcs)	Socket strip (1pc)	Cam Lock (24pcs)	Cam Bolt (24pcs)	Screw (2pcs)
F 	Glue : For securing please apply to wood dowel first before inserting into panel .			
Glue (1pc)				

Panel List



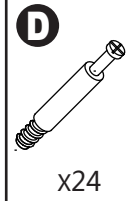
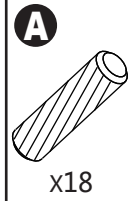
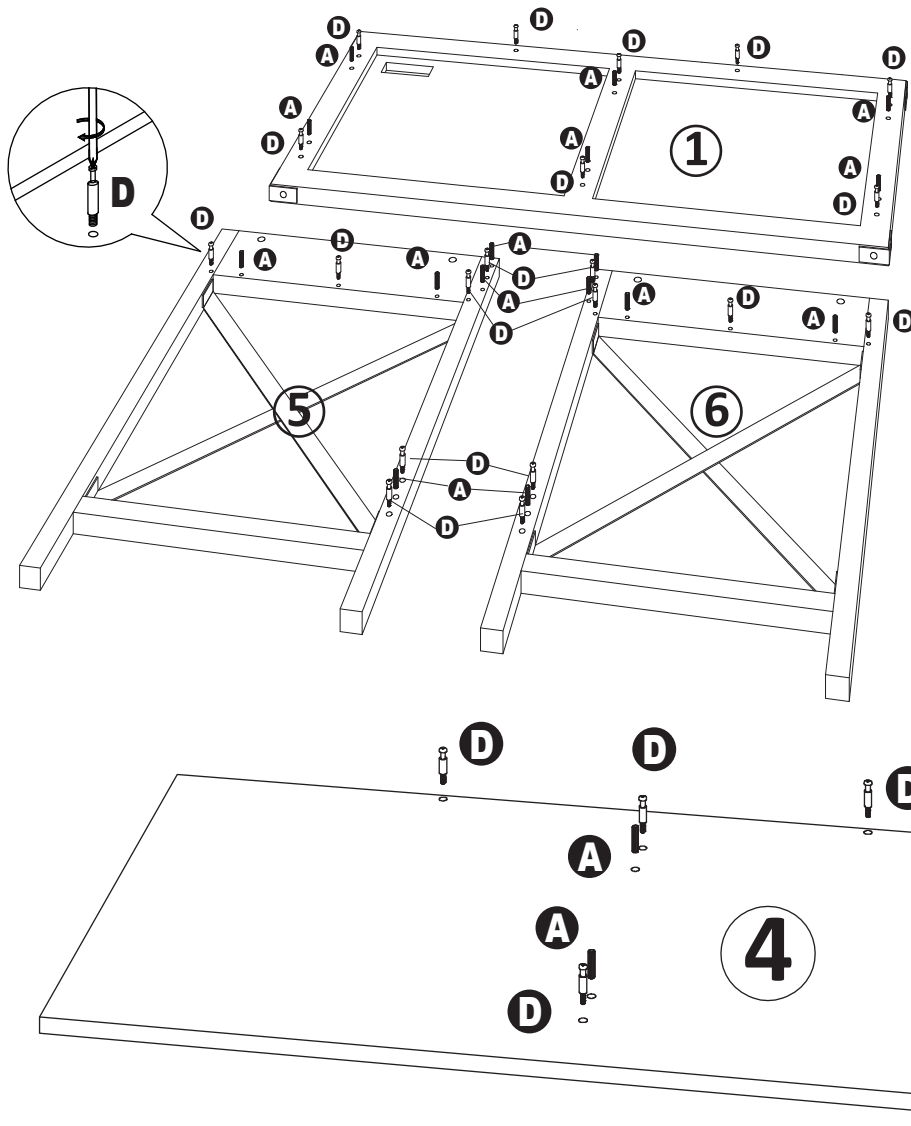
Please count and verify all parts before assembly .

Assembling the unit with camlocks and wood dowels.

			
<p>Gently screw cambolt into the threaded anchor.</p>	<p>Lightly glue one end of the wood dowel and tap halfway into hole.</p>	<p>Lightly glue wood dowel and connect to second panel by inserting dowels into holes.</p>	<p>Screw the camlock firmly into locked position.</p>

Step 1

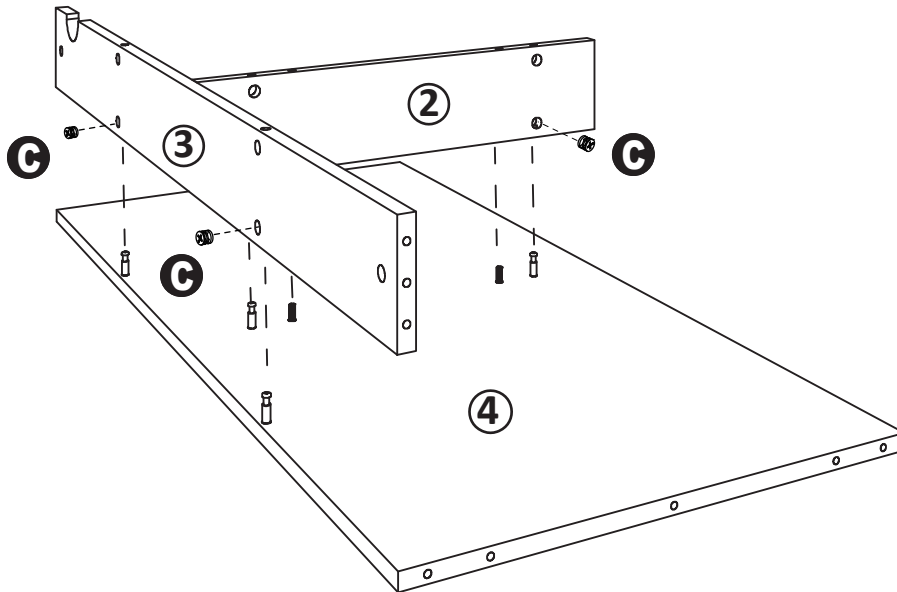
1. Screw Cambolts (D) into Left Panel (5), Right Panel (6), Top Panel (1) and Middle Panel (4) as shown.
2. Gently tap Wood Dowels (A) into Left Panel (5), Right Panel (6), Top Panel (1) and Middle Panel (4) as shown.



Step 2

*Assemble unit on carpet or other soft surface.

1. Attach Support Panel (2) and Top Back Panel (3) to Middle Panel (4) as shown using Cam Locks (C) gently tighten Cam Locks.



C

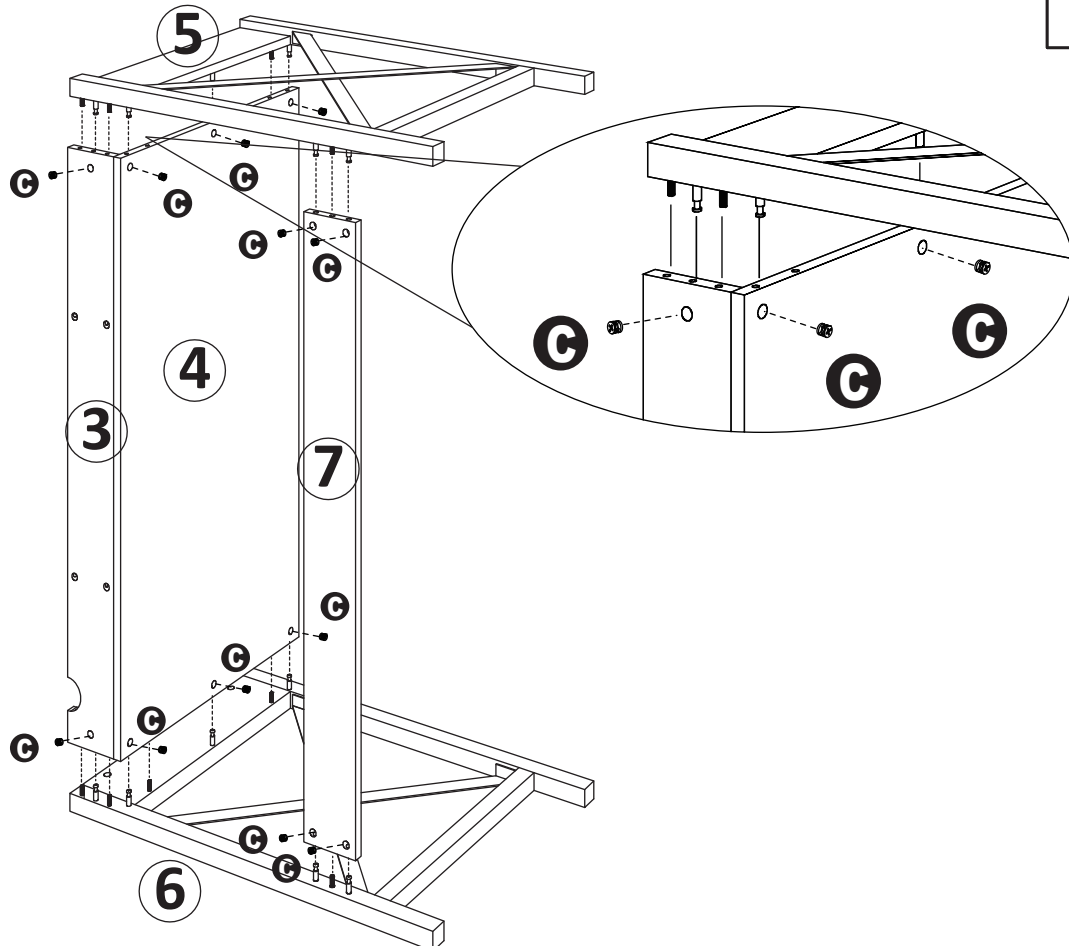


x4

Step 3

*Assemble unit on carpet or other soft surface.

1. Carefully connect Left Panel (5) and Right Panel (6) to Top Back Panel (3), Middle Panel (4) and Bottom Back Panel (7) using Cam Locks (C) gently tighten Cam Locks.



C

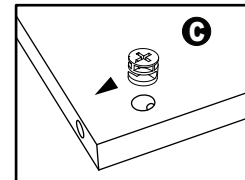
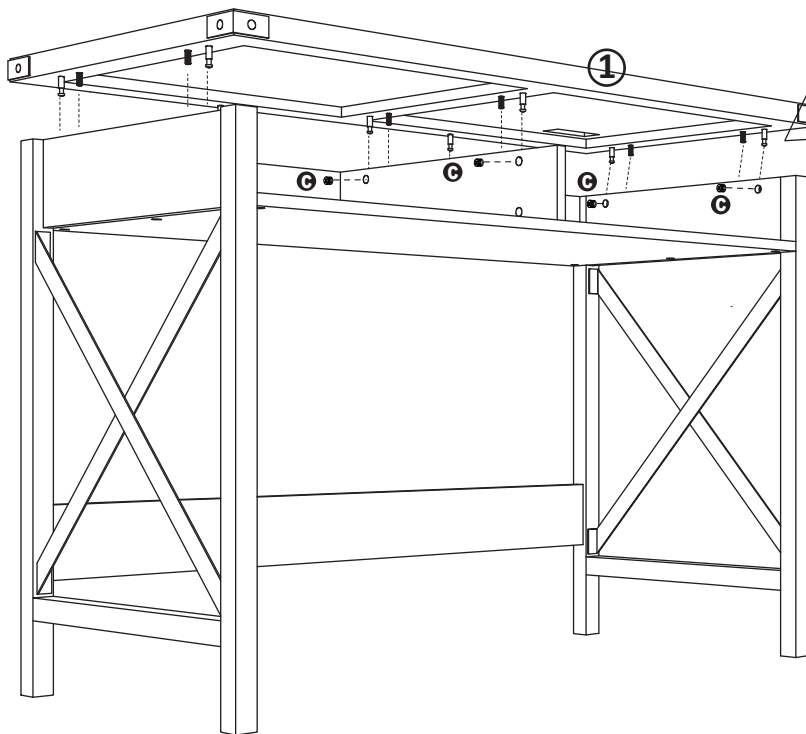


x12

Step 4

*Assemble unit on carpet or other soft surface.

1. Carefully connect Top Panel ① to assembly using Cam Locks (C) gently tighten Cam Locks.



Step 5

1. Attach socket strip (B) to Top Panel ① using screws (E).

2. Enjoy !

