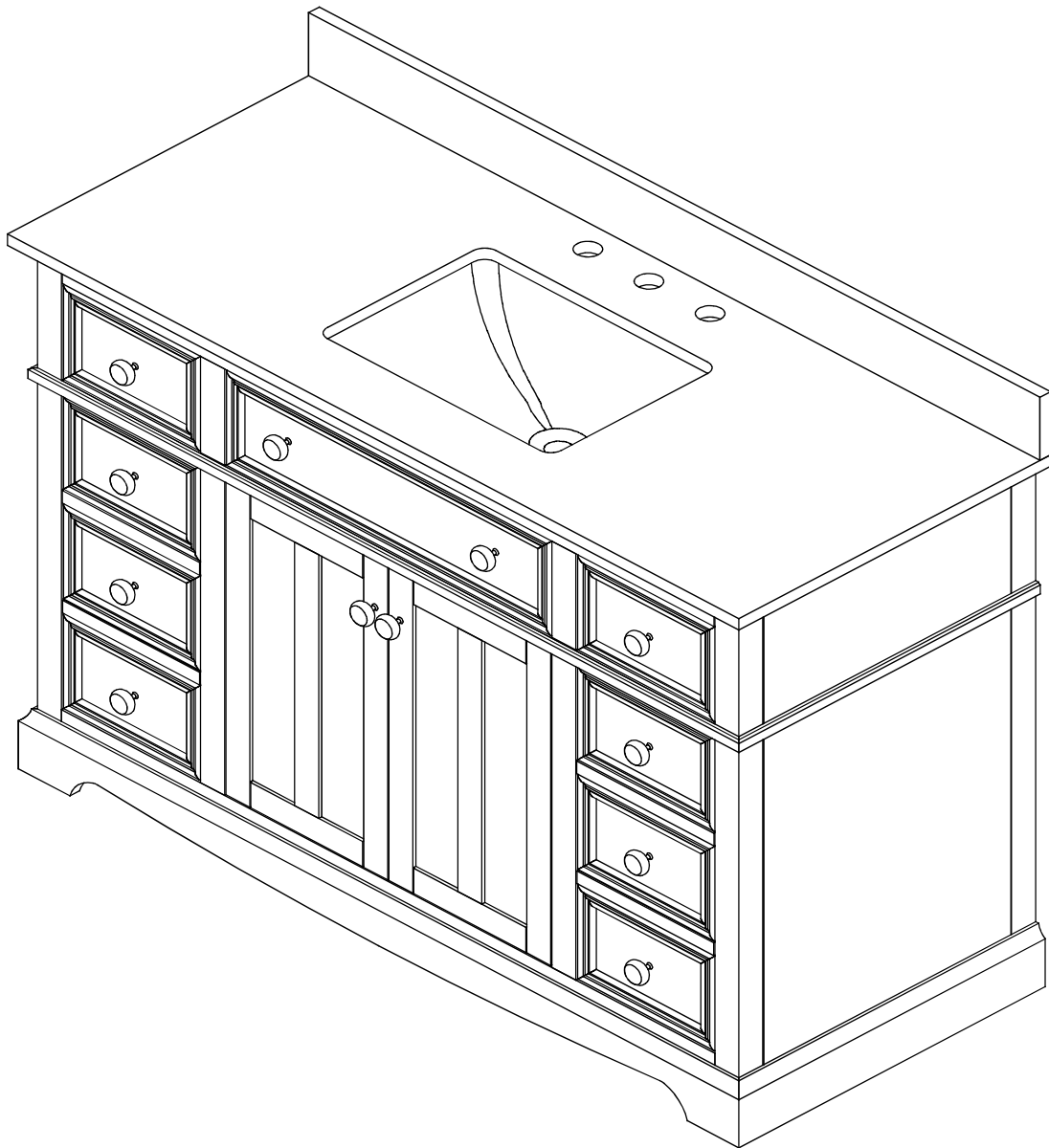


# ASSEMBLY INSTRUCTION

ITEM NO. THKFBV227BK1F4  
THKFBV227WH1F4



# IMPORTANT NOTICE

## **Workspace Safety**

Keep the workspace clear of clutter and ensure it's well-lit. A clean, flat surface is essential.

## **Read Instructions**

Read the entire assembly guide before starting. Skipping steps can compromise safety.

## **Use Proper Tools**

Use the tools provided or recommended. Avoid overtightening screws.

## **Secure Furniture**

Anchor tall or heavy furniture to the wall to prevent tipping. This is crucial in homes with children or pets.

## **Handle Small Parts**

Keep small parts away from children and pets to avoid choking hazards.

## **Get Help**

Don't hesitate to ask for help with heavy or complex pieces.

## **Inspect Regularly**

Periodically check for loose screws or wobbly parts and tighten as needed.

Follow these tips for a safe assembly process.

# CARE AND CLEANING

Many cleaners contain abrasive and chemical substance which is not suitable for cleaning stainless steel, enamel, plating or plastic products. You may use mild cleansers or soaps to clean the surfaces. Wipe any splashes of cleaner solutions from the surface with a clean soft cloth.

Maintain ventilation in the bathroom and separate the dry area from the damp one if conditions permit. Try to open the door and windows of the bathroom to maintain adequate ventilation.

This cabinet is built to withstand normal bathroom humidity. For best results, keep this vanity dry and take necessary steps to minimize bathroom humidity by opening windows and doors and using the exhaust fan (if available).

To maintain the cabinet door, clean and wipe the door regularly with a soft cloth. Wipe condensation with a dry, soft cloth. Keep away from high temperatures.

Please do not sit, lean or step on the basin cabinet.



## ARE YOU INSTALLING THIS PRODUCT?

Please read the installation instructions BEFORE INSTALLATION.

If the product is not installed in accordance with these instructions, your Allair warranty may be void and the homeowner may have a claim against you (the installer).

We recommend consulting professional help if you are unfamiliar with installing bathroom vanities and/or plumbing.



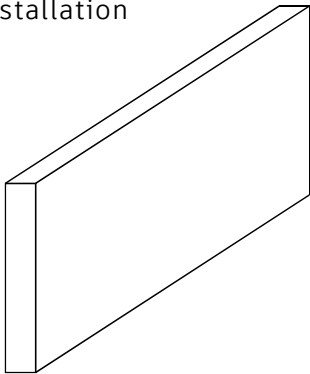
**IMPORTANT-It is the responsibility of the installer to make any adjustments to doors/drawers after installation if required.**

There may have been some movement in transportation and installation which causes doors/drawers to become unaligned.

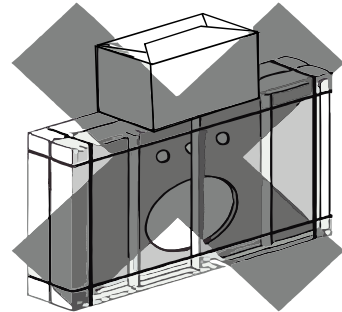
**PLEASE RETURN TO HOME OWNER- IMPORTANT CARE & WARRANTY INFORMATION INSIDE.**

### Crate storage and Care

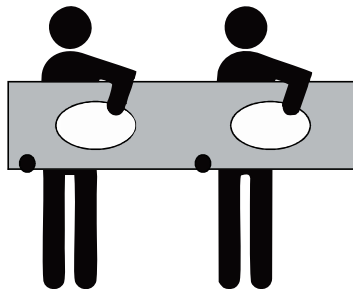
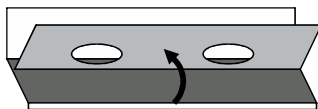
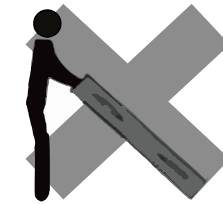
- Keep the countertop and sink in its box until installation



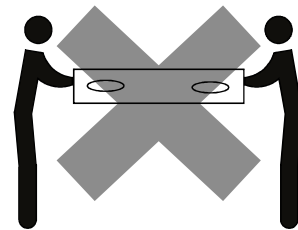
- Do not stack anything on top of box



- Store Crate vertically in safe location

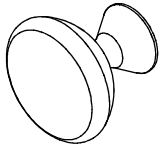
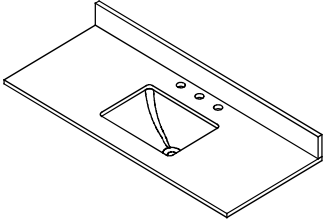
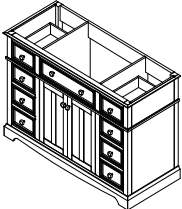


NEVER LIFT THE VANITY TOP FLAT

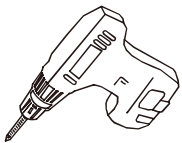


NEVER CARRY THE VANITY TOP FLAT

# MAIN BODY PARTS

No.	Description	QTY
1	 <p>Hardware</p>	12
2	 <p>Top&amp;Basin</p>	1
3	 <p>Main Cabinet</p>	1

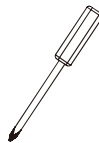
## YOU MAY NEED (NOT SUPPLIED)



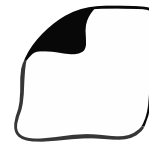
Drill



Neutral Cure  
Silicone Sealant



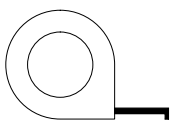
Screwdriver



Damp  
Cloth



Stud  
Finder



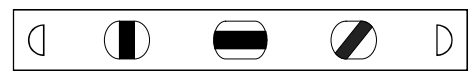
Tape  
Measure



Marker



Wood  
Shims



Level

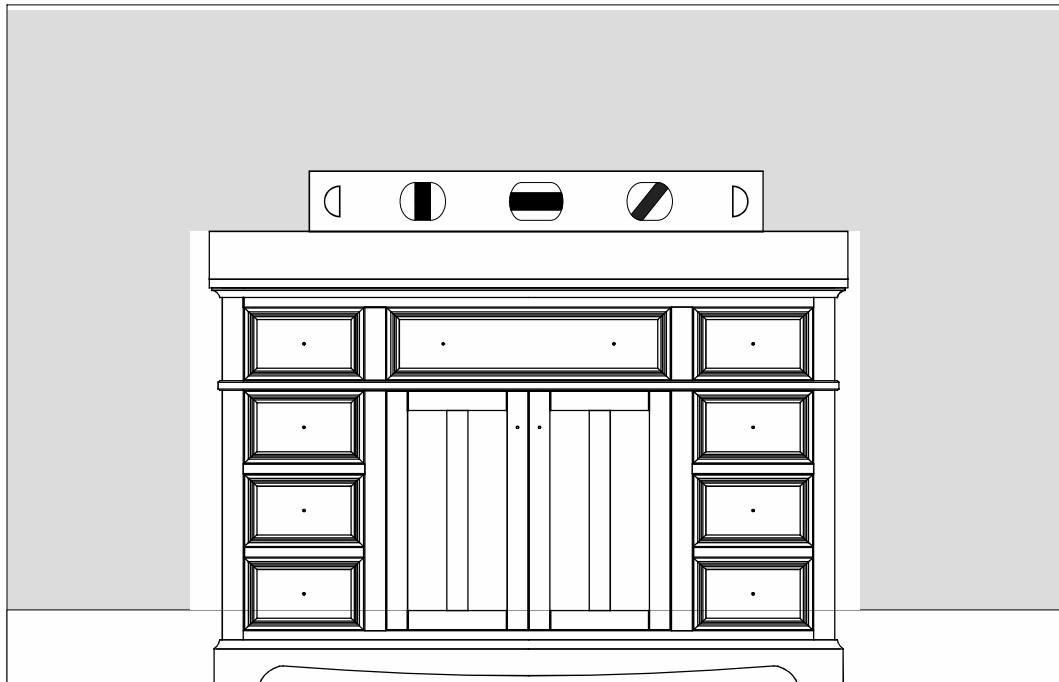
# 1

- Determine location where you would like to install your vanity.



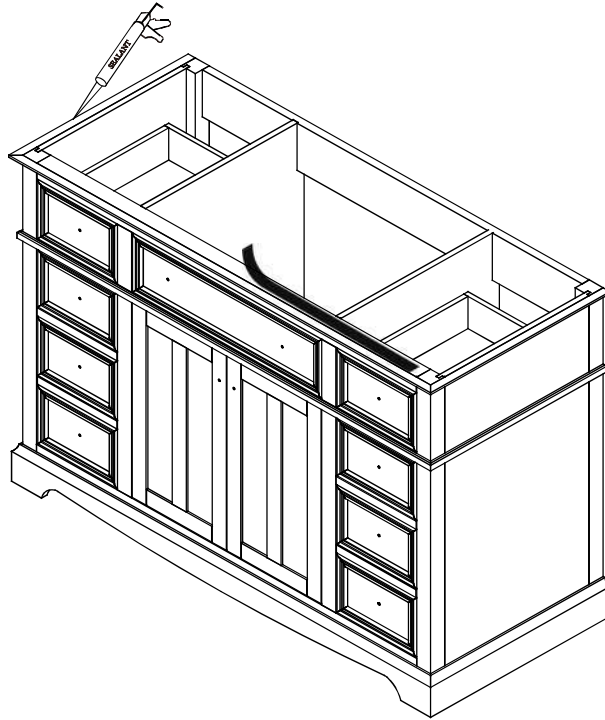
# 2

- Place vanity in the installation area. Check that vanity cabinet is level.



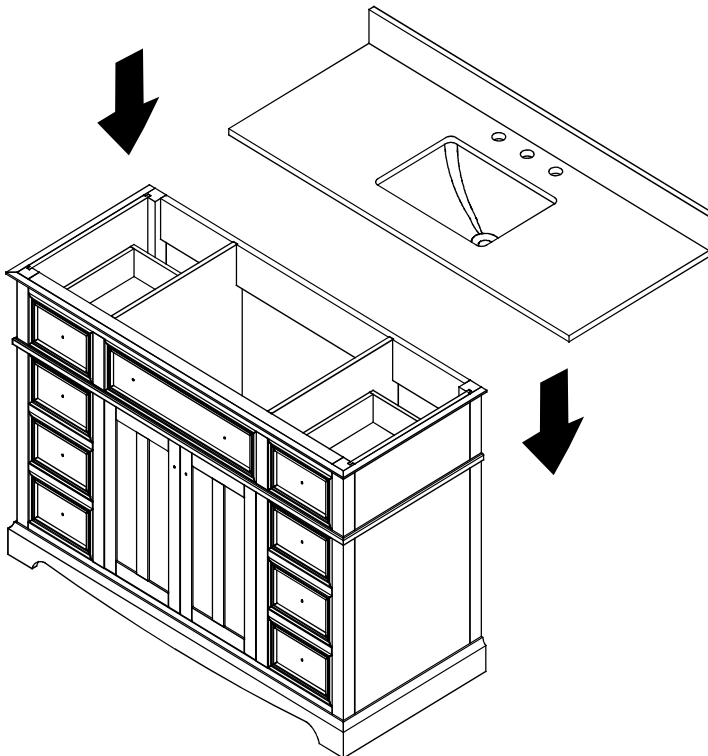
# 3

- Apply a bead of adhesive silicone onto each edge of cabinet top. You can leave the EVA buffer strip or tear it off, before gluing the top.



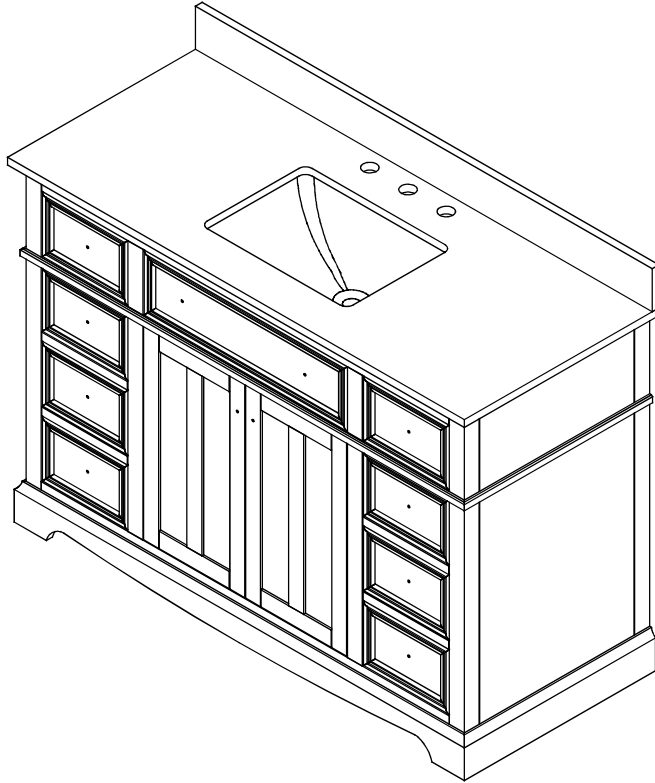
# 4

- Place vanity top onto the cabinet, making sure vanity is seated properly.



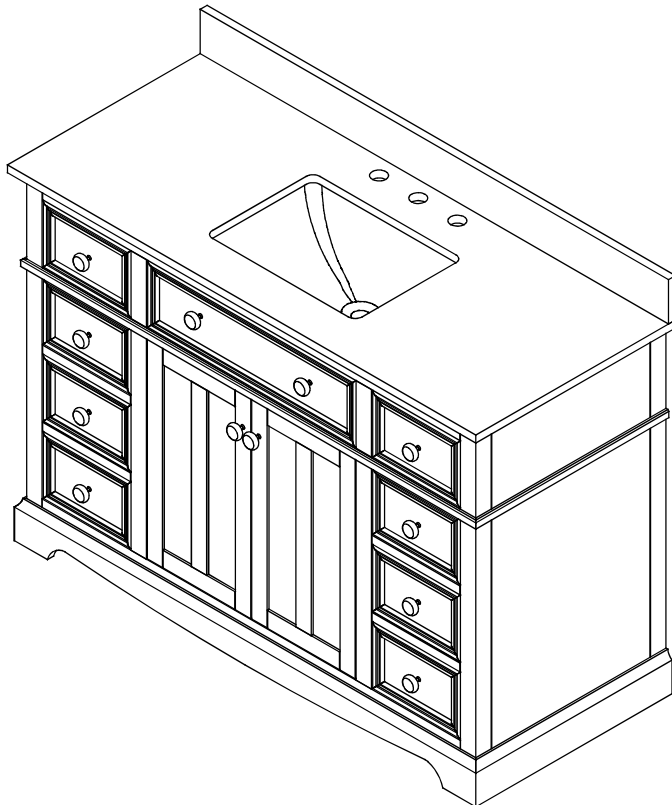
# 5

- Do not use the vanity for at least 24 hours, in order to allow the glue to cure fully.



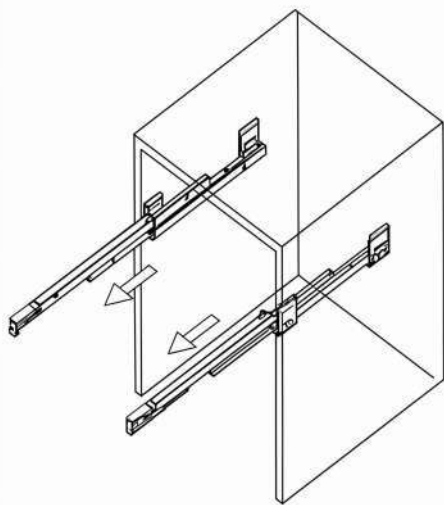
# 6

- After the glue dries, install spare parts like door handles.

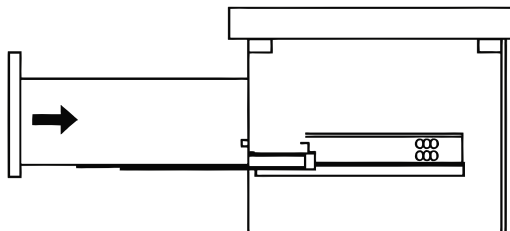


# Slider/Drawer Adjustment

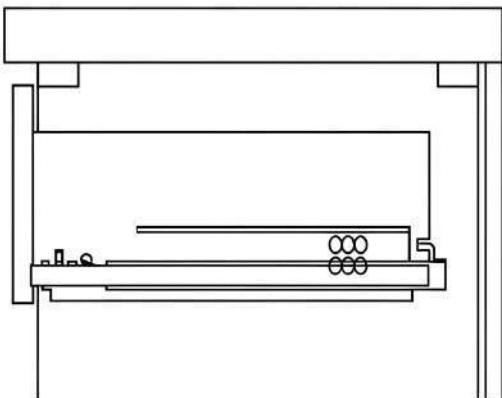
1



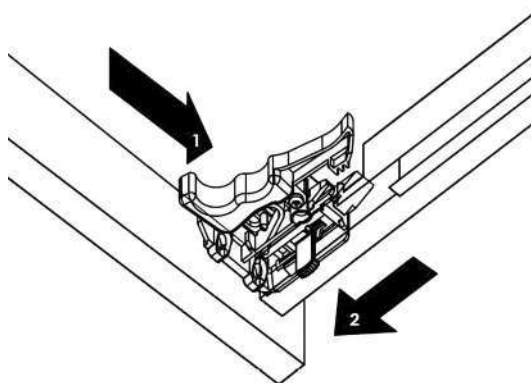
2



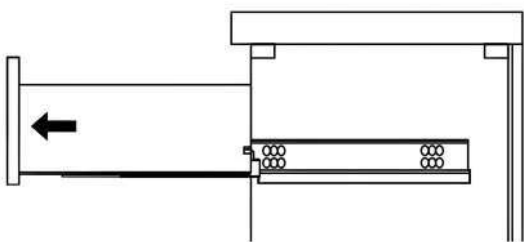
3



4

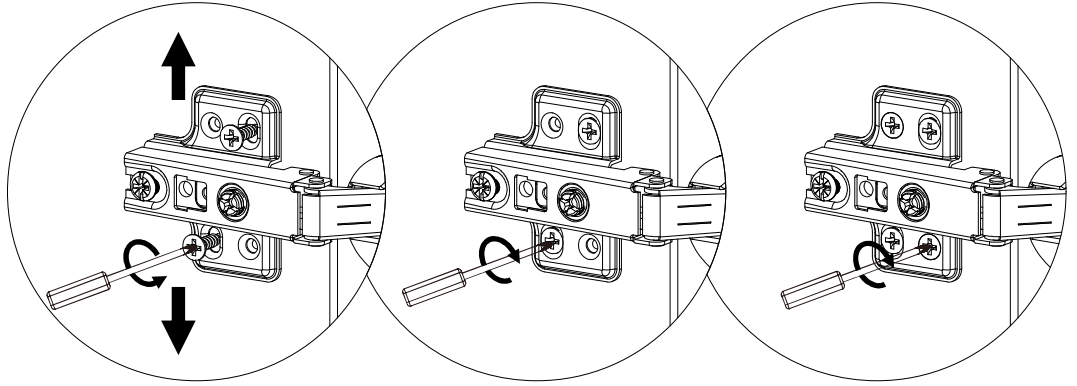
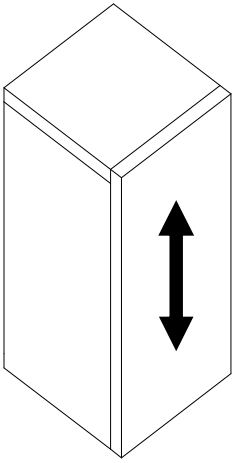


5

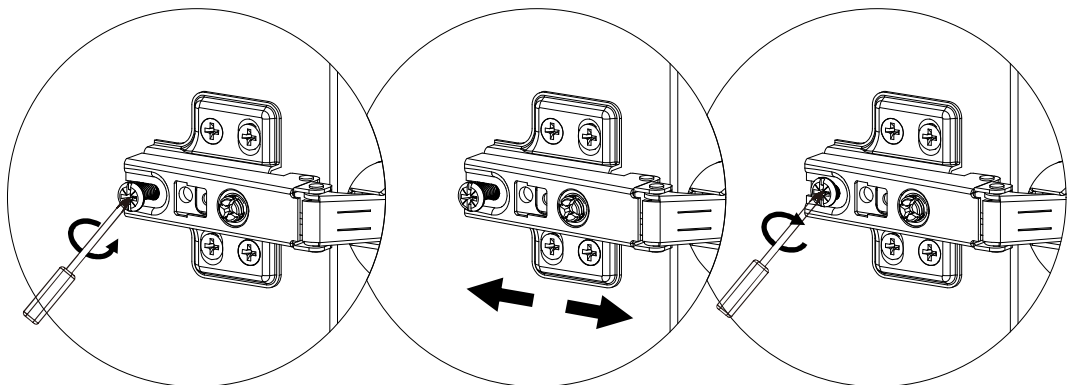
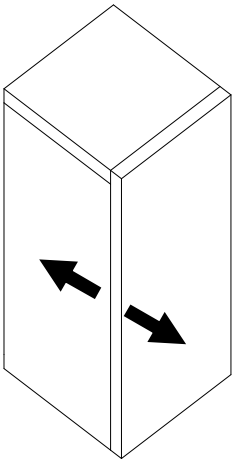


# Hinge/Door Adjustment

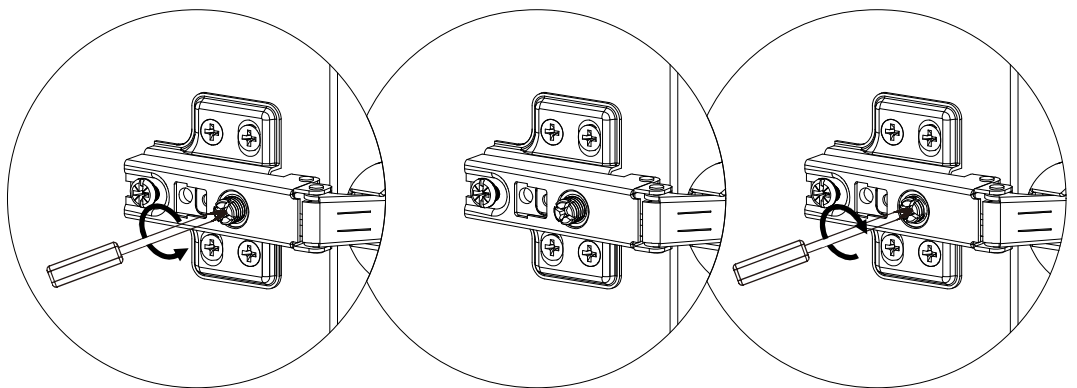
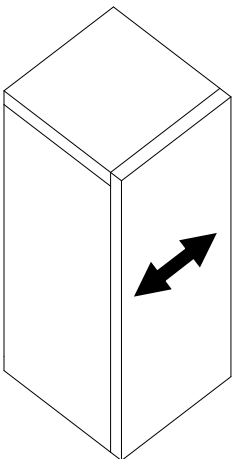
## 1. Up and down adjustment



## 2. In and out adjustment

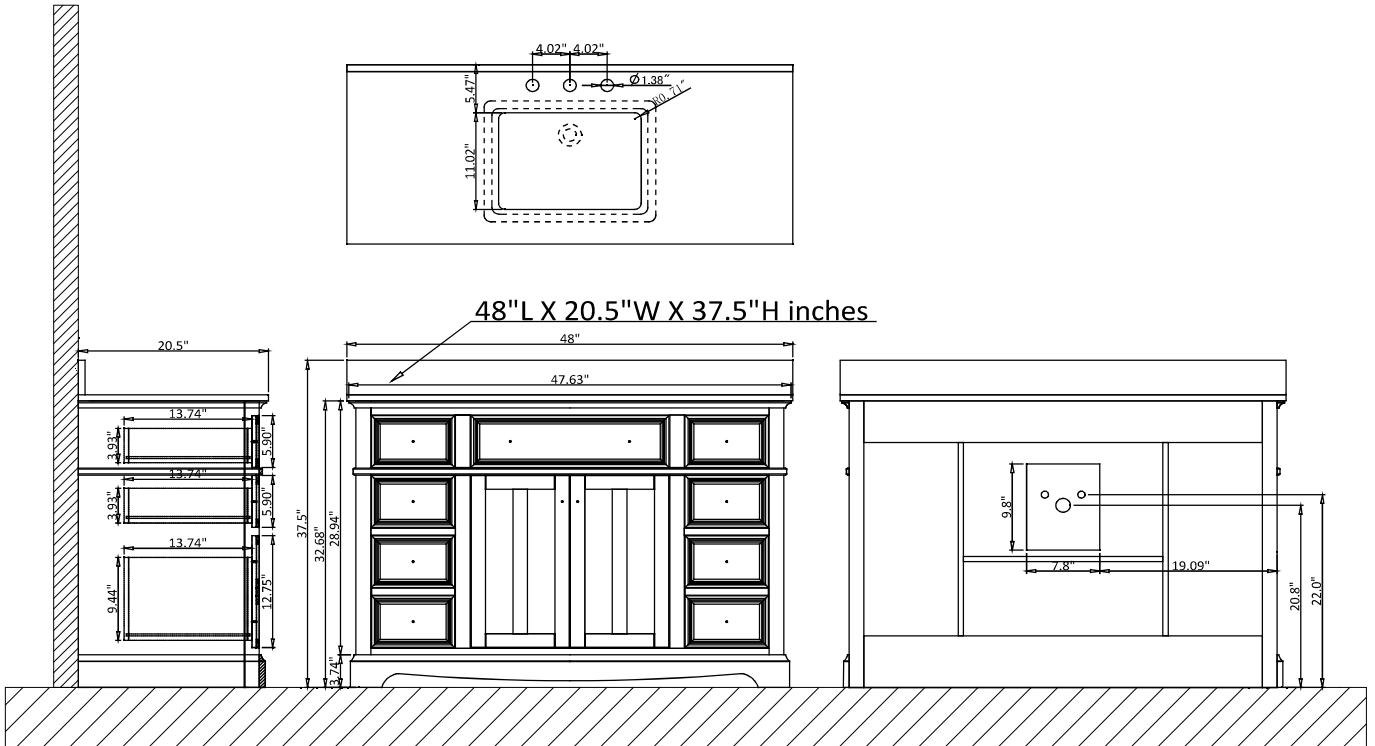


## 3. Left and right adjustment



# 7

- Does not include faucet, drain assembly, p-frap, sidesplash and mirrors.



## Vanity Care Guide

### Vanity Care

- Avoid direct contact of sharp objects as they can cause exterior damage.
- Do not expose directly to the sun as it can cause aging and cosmetic damage.
- Avoid placing hot objects onto the vanity surface.

### Countertop Care

- Kindly note that all our tops are sealed before shipping but may stain, scratch, or chip because they are porous by nature.
- Do not place hot items directly on the countertop as it can damage it.
- To prevent ring marks or staining, dry immediately.
- Place table mats beneath objects that can potentially scratch the surface.
- Use a clean, soft fabric to dust the vanity.
- Occasionally wash with a cloth dampened in warm water. If needed, apply a small amount of mild dishwashing liquid or stone soap to clean. Dry with a soft cloth.
- Refrain from using chemical cleaners, sprays, abrasive cleaners, or products that contain lemon, vinegar, or other acids.
- We advise to reseal top annually or when necessary.

### Cleaning and maintenance

- Avoid using cleaning products that contain Bleach or Ammonia.
- Please use wood-friendly products on wooden base vanities.
- To adequately clean exterior surfaces, use natural cleaning solutions or soap



### WARNING

This product can expose you to chemicals including Nickel compounds, which is known to the State of California to cause cancer. For more information visit [www. P65Warnings. ca. gov](http://www.P65Warnings.ca.gov)



### WARNING

This product can expose you to Glass wool fibers (inhalable and biopersistent), which is known to the State Of California to cause cancer. For more information, go to [www. P65Warnings. ca. gov](http://www. P65Warnings. ca. gov)



### WARNING

Serious or fatal crushing can occur from furniture tip over . To prevent tip over this furniture must be used with the wall attachment device(s) provided. Screw(s) and plug(s) for the wall are not included. Use screw(s) and plug(s) suitable for your walls. If you are uncertain, seek professional Advice. Read and follow each step of the instruction carefully.

# THANK YOU

Thank you for choosing our product. We sincerely hope that the assembly process has been smooth and enjoyable for you. If you have any questions or suggestions during the use of the product, please feel free to contact us.

Contact number: (323)-393-8260 at EST 9AM-1PM

E-mail: [service@eclifeusa.com](mailto:service@eclifeusa.com)