

Hardware List

A



(1pc)

B



(2pcs)

C



(2pcs)

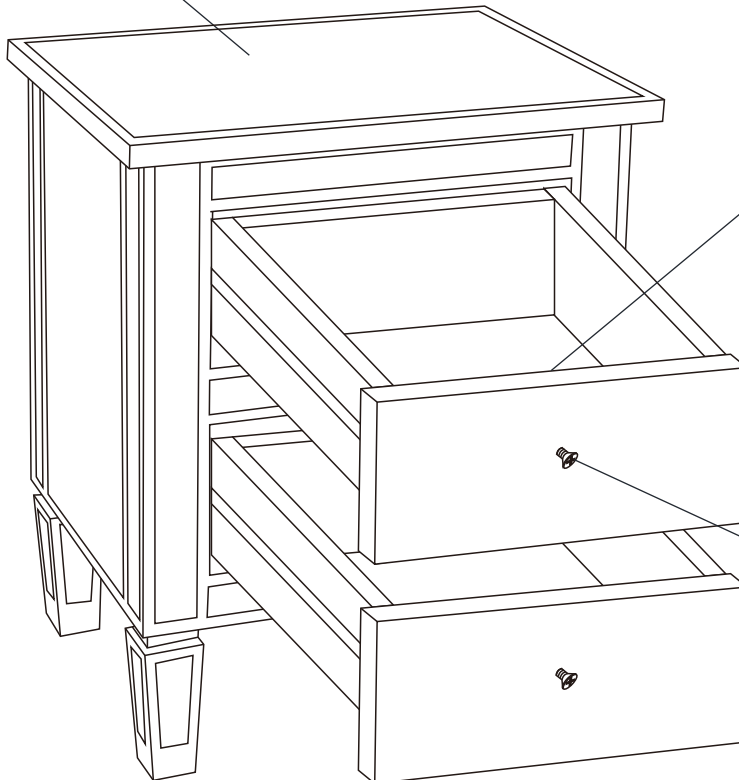
D



(2pcs)

Step 1

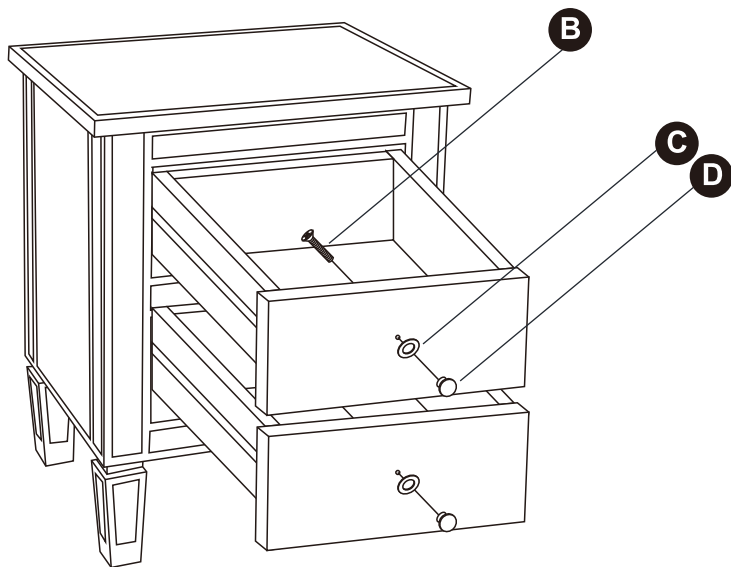
A



D

B

Step 2



Step 3

