
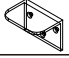




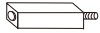
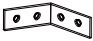
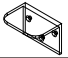




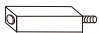


Hardware

Tools Required

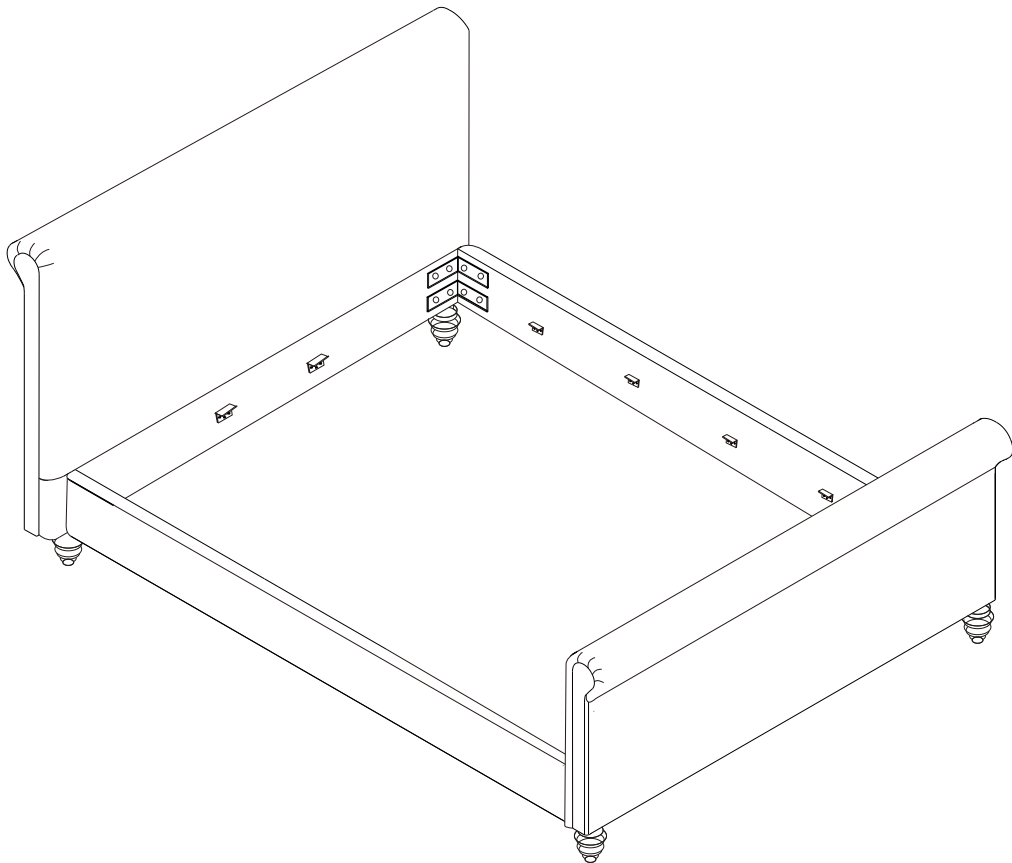
Power tools NOT recommended

| NO. | Quantity | Accessory |
|-----|----------|--|
| A | 8 |  Metal Support A |
| B | 12 |  Metal Support B |
| C | 42 |  Screw 8X25 mm |
| D | 12 |  Gaske 33 mm |
| E | 1 |  Allen Wrench 5mm |
| F | 4 |  Wood leg |
| G | 4 |  Center Leg |

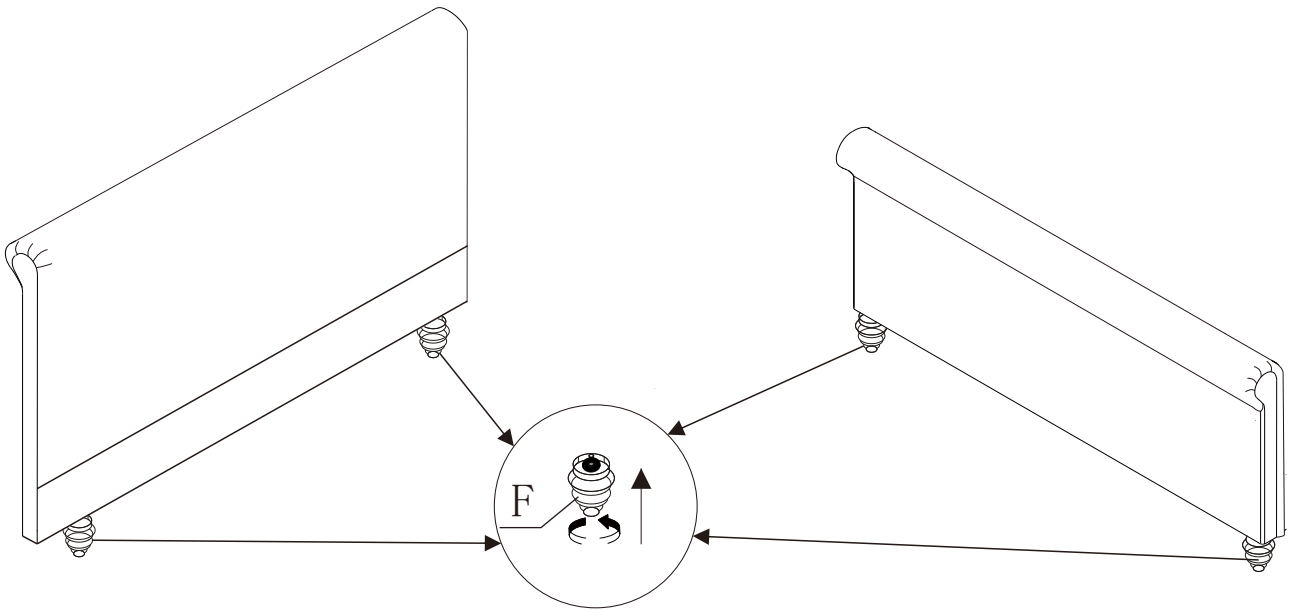
| NO. | Quantity | Accessory |
|-----|----------|--|
| A | 8 |  Metal Support A |
| B | 10 |  Metal Support B |
| C | 40 |  Screw 8X25 mm |
| D | 10 |  Gaske 33 mm |
| E | 1 |  Allen Wrench 5mm |
| F | 4 |  Wood leg |
| G | 1 |  Center Leg |

King Bed

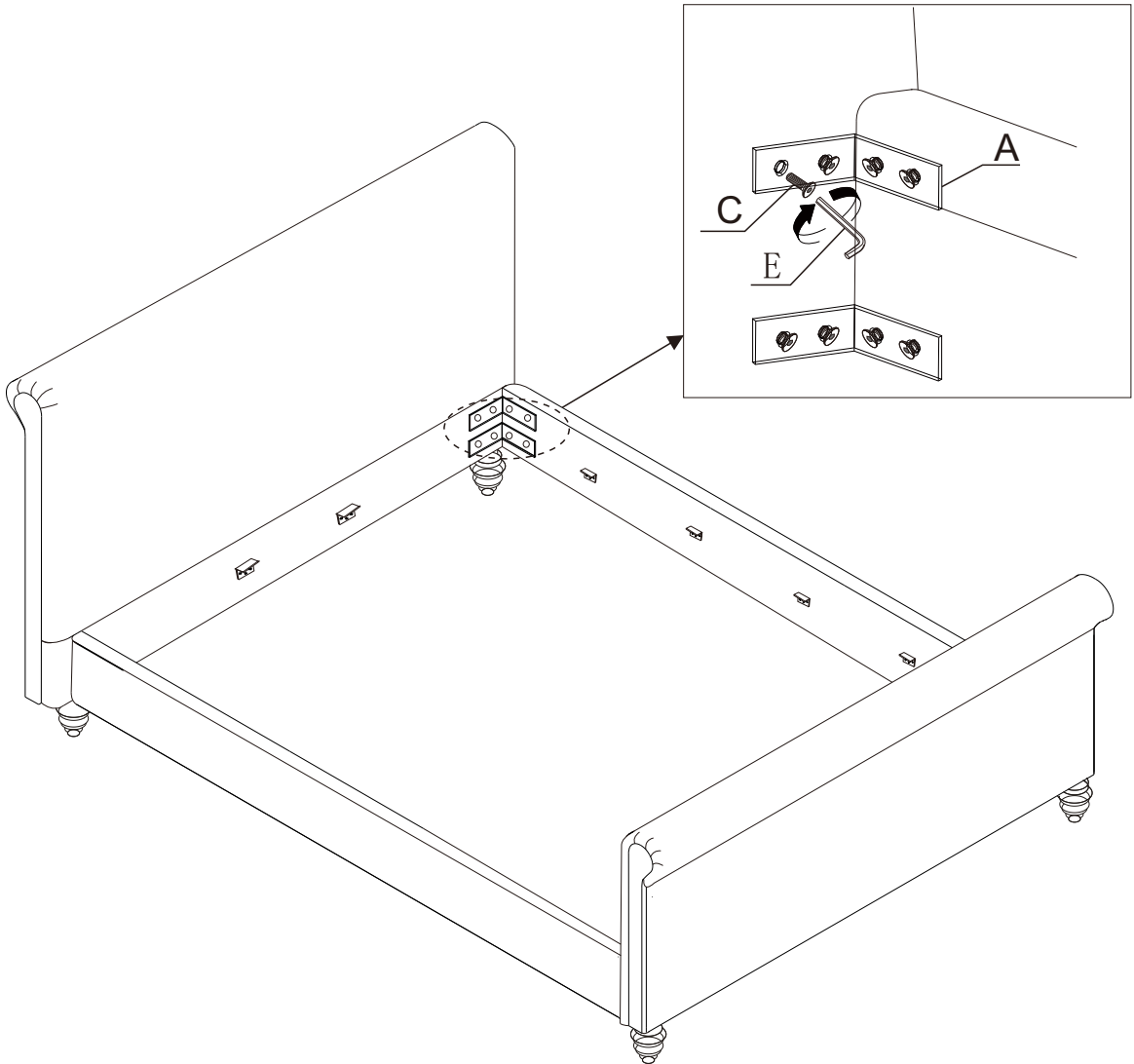
Queen Bed



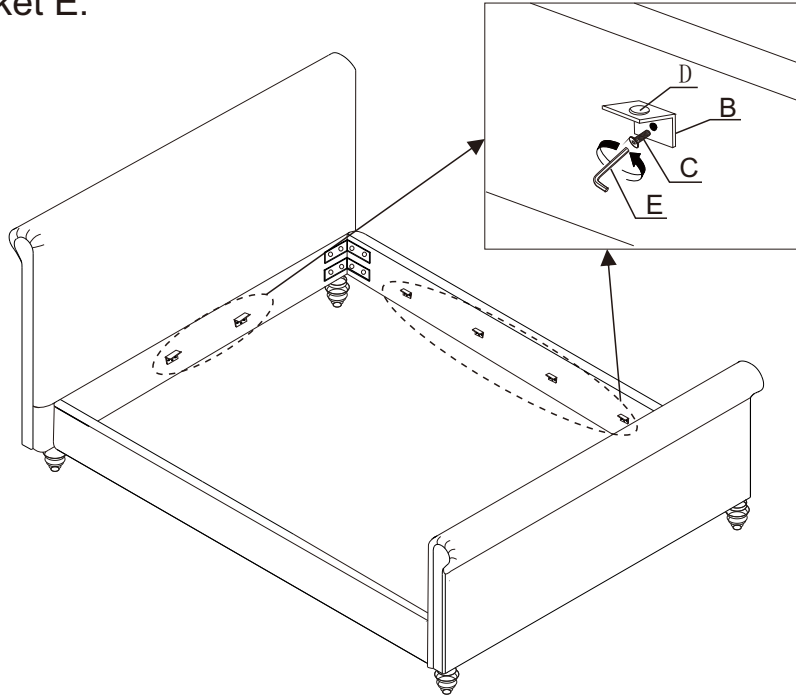
- 1 Install plastic foot G to headboard, siderails



- 2 Instal Metal support A with screw D to fix headboard, siderails and footboard.



- 4 Fix metal support C with screw E and stick Gasket E.



- 5 Install H legon slat and put the slat on the bed.

