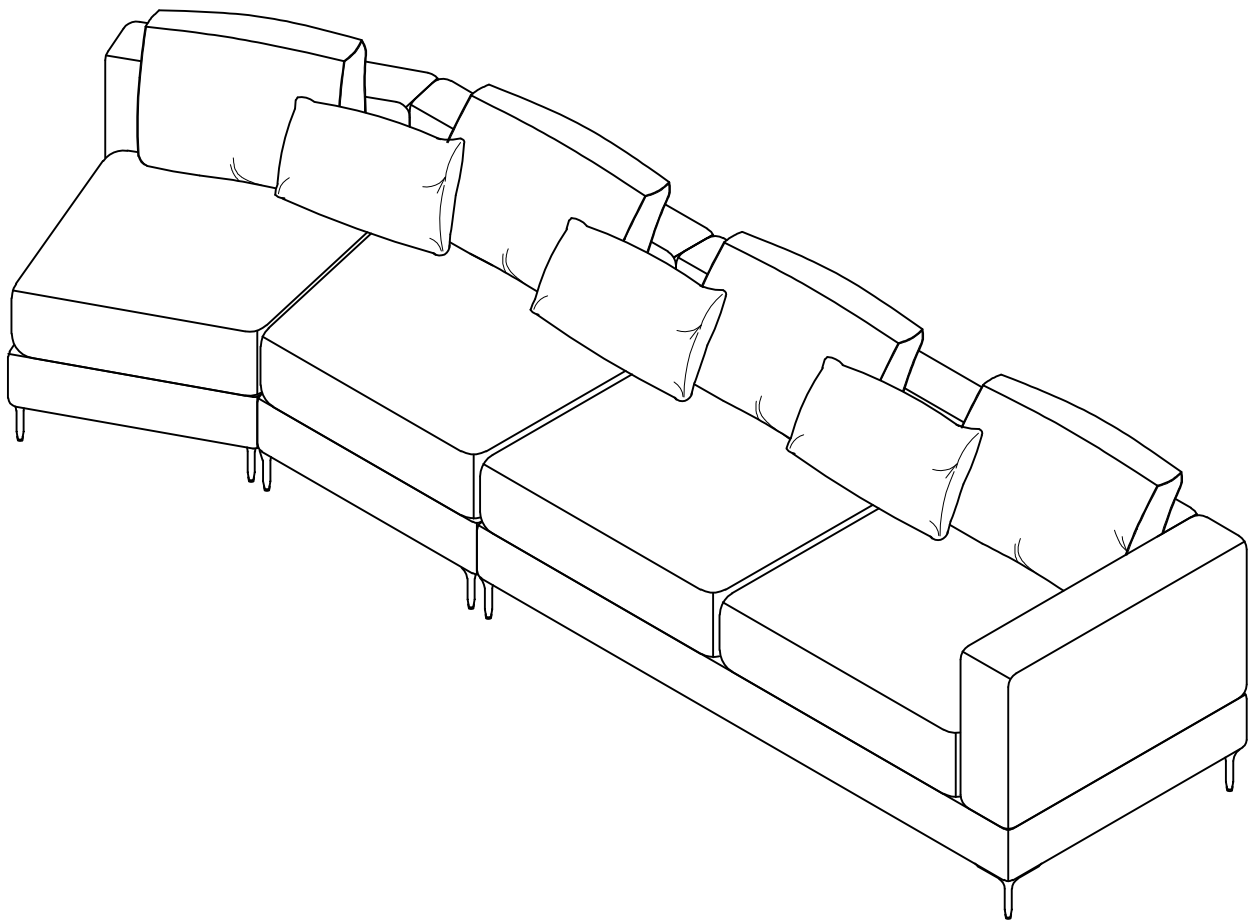


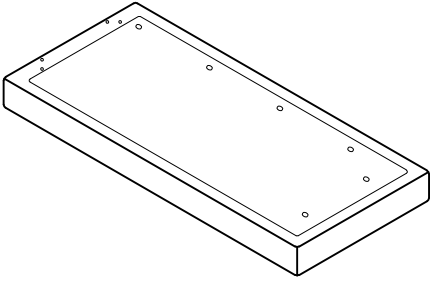
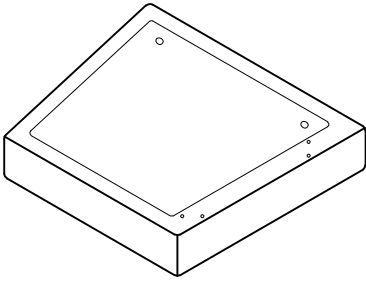
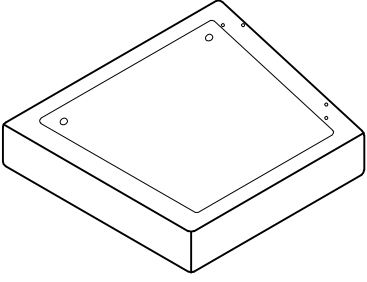
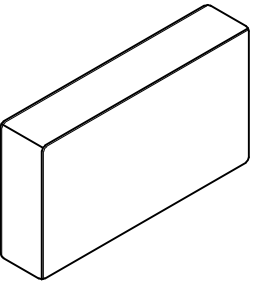
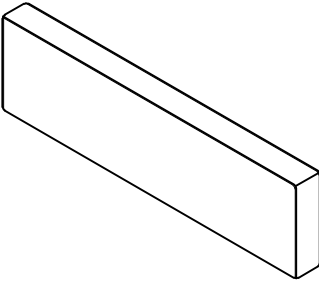
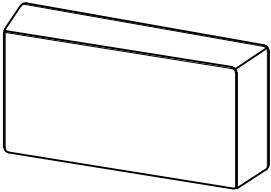
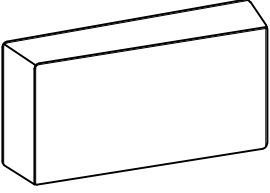
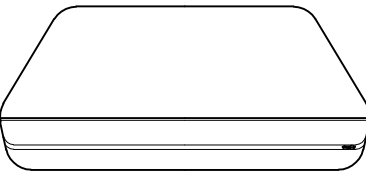
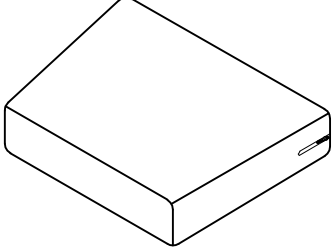
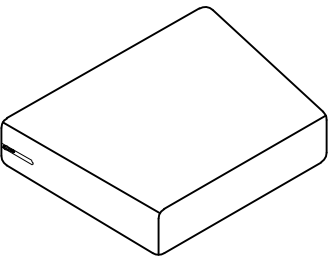
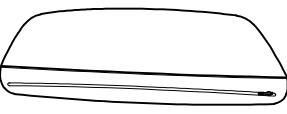
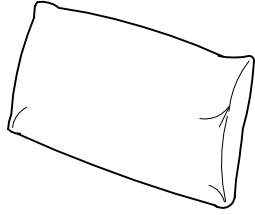
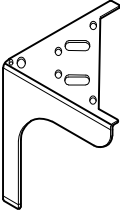
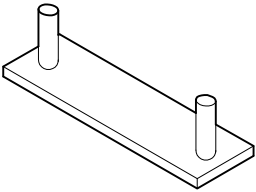
ASSEMBLY INSTRUCTIONS

The compression must wait 72 hours before unfolding, and you need to pat it with your hands.

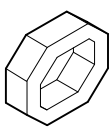
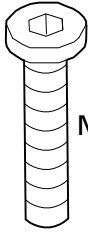
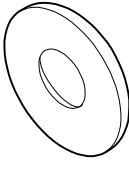

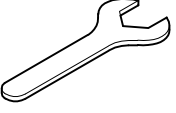
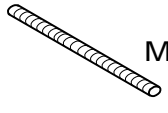


List of accessories

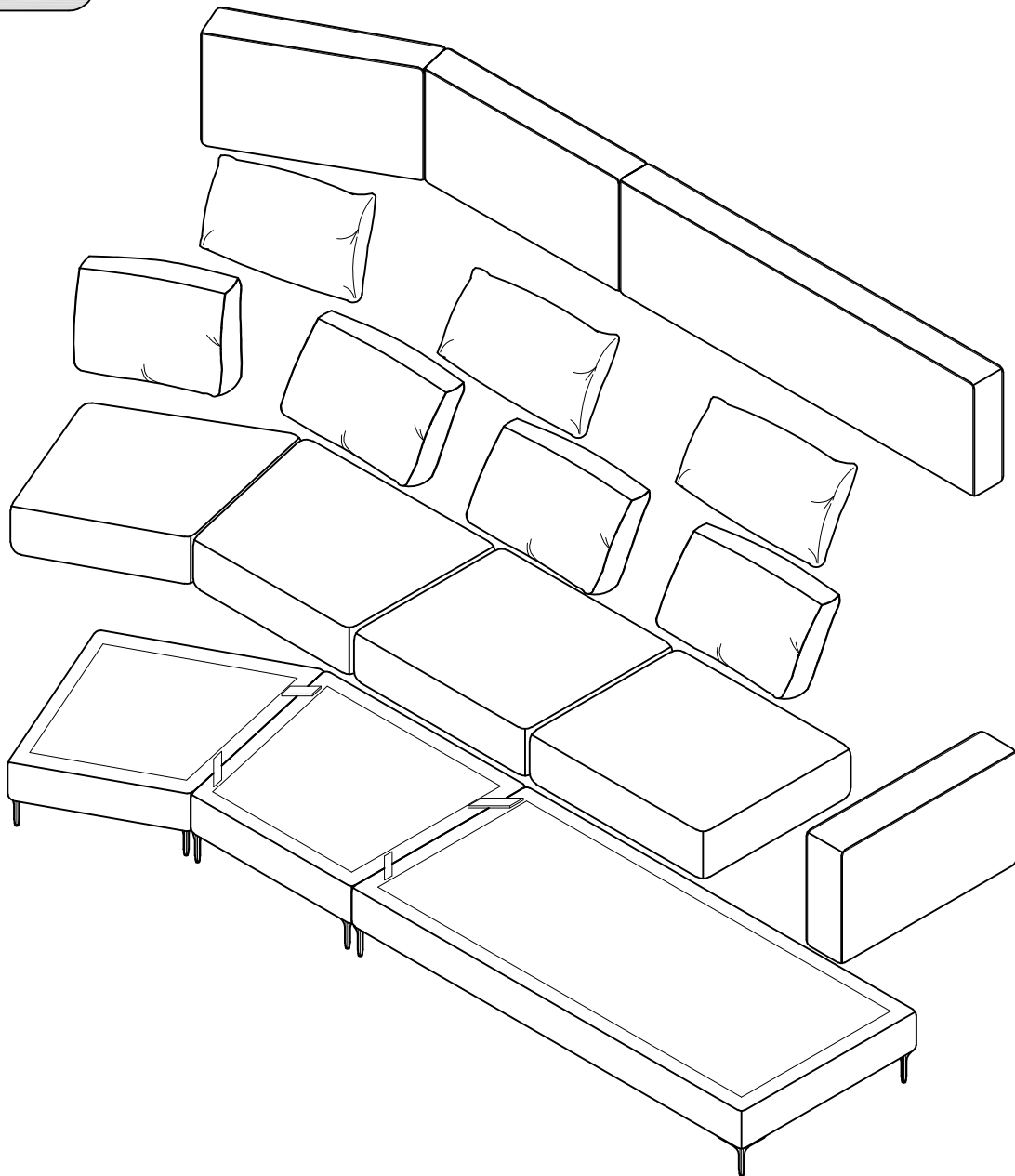
List of accessories

<p>(A1) Double seat frame</p>  <p>1pcs</p>	<p>(A2) Alien-shaped frame</p>  <p>1pcs</p>	<p>(A3) Alien-shaped frame</p>  <p>1pcs</p>
<p>(B1) Handrail</p>  <p>1pcs</p>	<p>(B2) Double back rack</p>  <p>1pcs</p>	<p>(B3) Special-shaped backrest</p>  <p>1pcs</p>
<p>(B4) Special-shaped backrest</p>  <p>1pcs</p>	<p>(C1) Double seat cushion</p>  <p>2pcs</p>	<p>(C2) Alien cushion</p>  <p>1pcs</p>
<p>(C3) Alien cushion</p>  <p>1pcs</p>	<p>(C4) Backpack</p>  <p>4pcs</p>	<p>(C5) Waist pillow</p>  <p>3pcs</p>
<p>(D1) Metal feet</p>  <p>12pcs</p>	<p>(D2) Connecting piece</p>  <p>4pcs</p>	

List of parts

<p>② Nuts M8*14 11pcs</p> 	<p>③ Screws M8*35 24pcs</p> 	<p>④ Spacer M8*22 35pcs</p> 	<p>⑤ Spanner 1pcs</p> 
<p>⑥ Screws 1pcs</p> 	<p>⑦ Screws M8*90 11pcs</p> 		

Explosion map

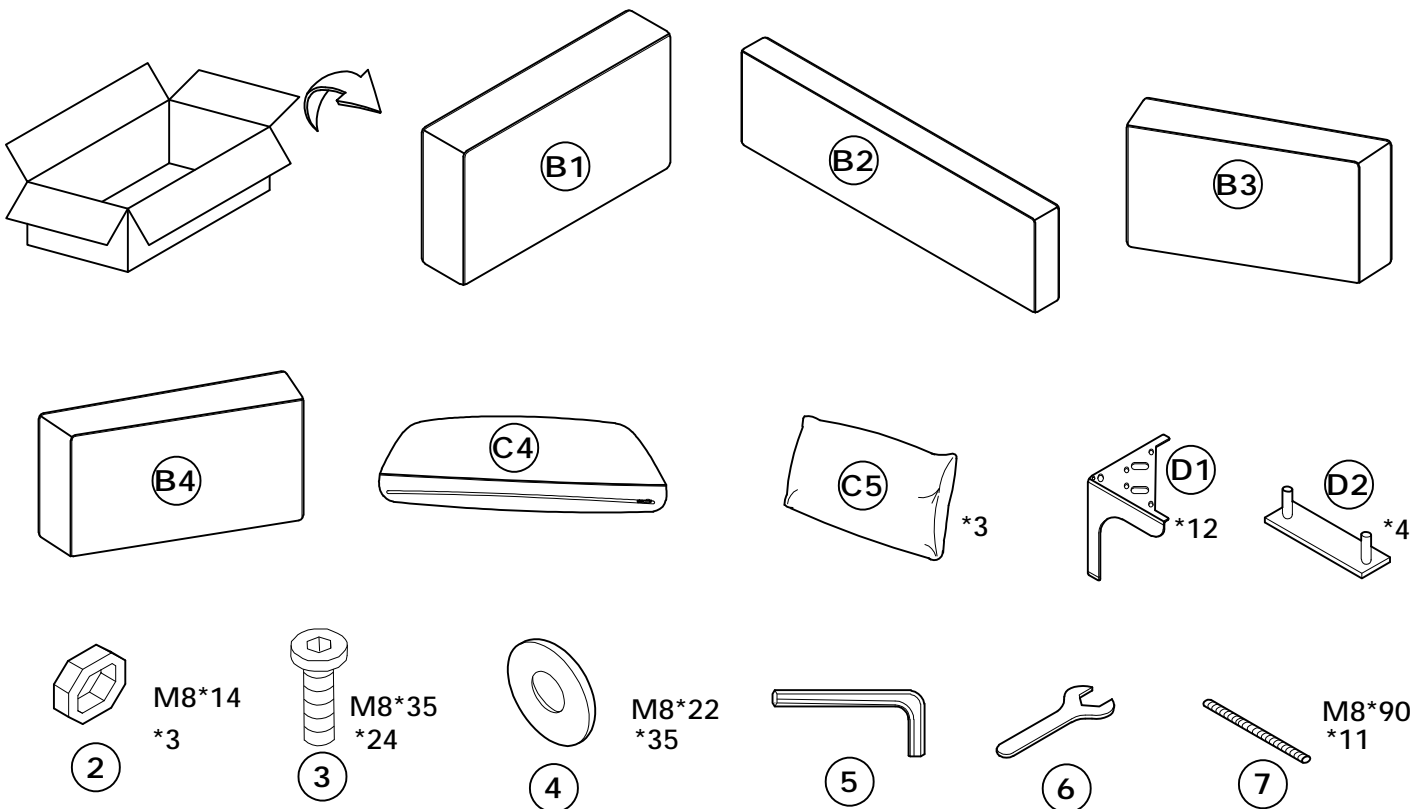
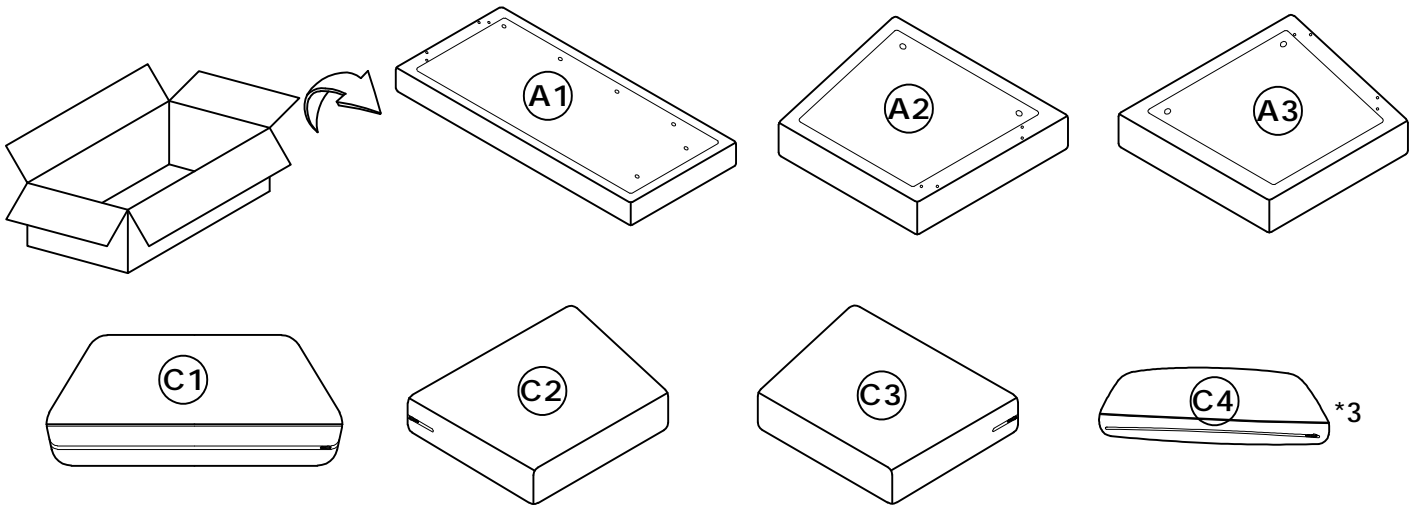


packing list

A1x1 A2x1 A3x1 C1x2 C2x1 C3x1 C4x3
B1x1 B2x1 B3x1 B4x1 C4x1 C5x3 D1x12 D2x4 2x11 3x24 4x35 5x1 6x1 7x11

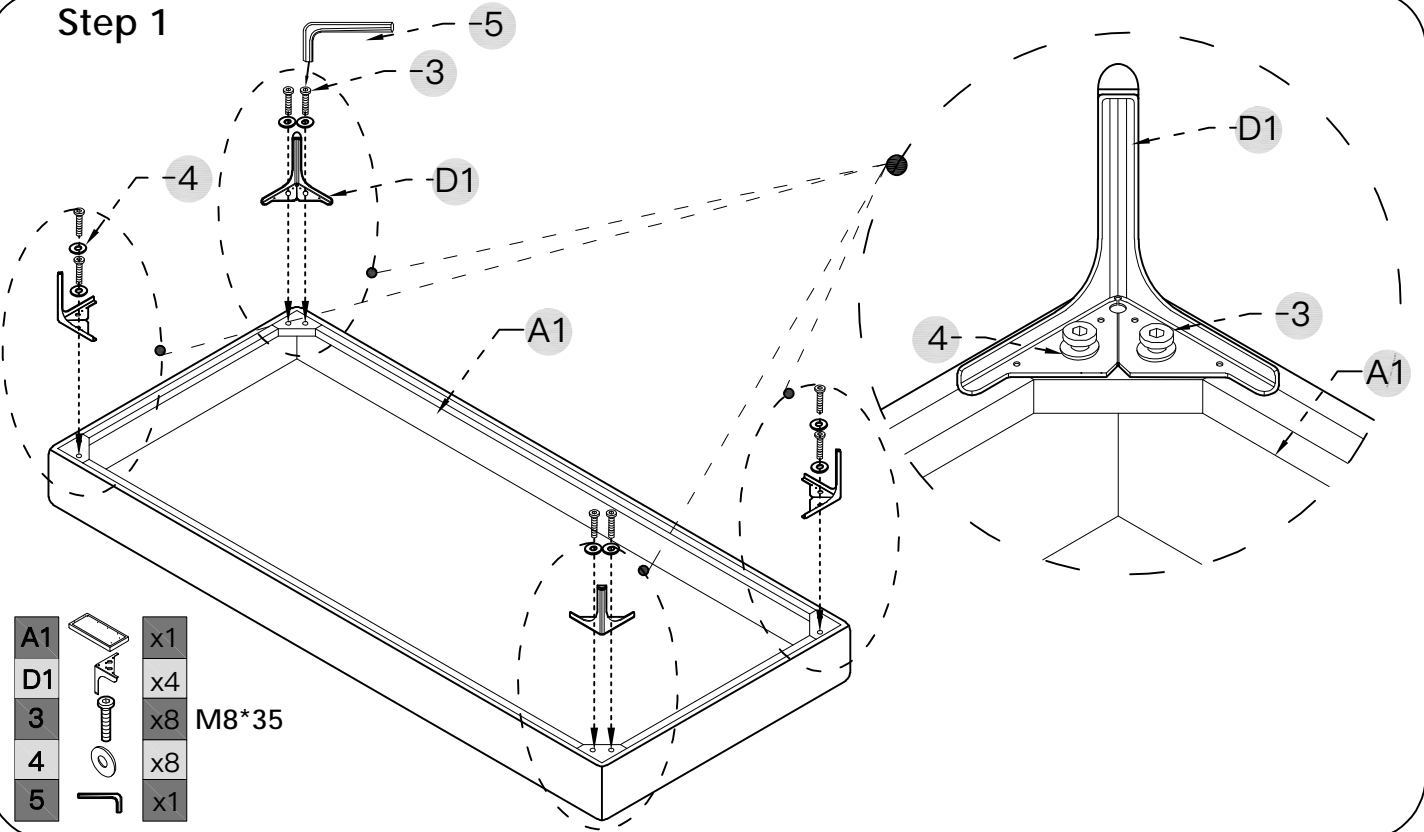
Note

Note: The package is as follows.

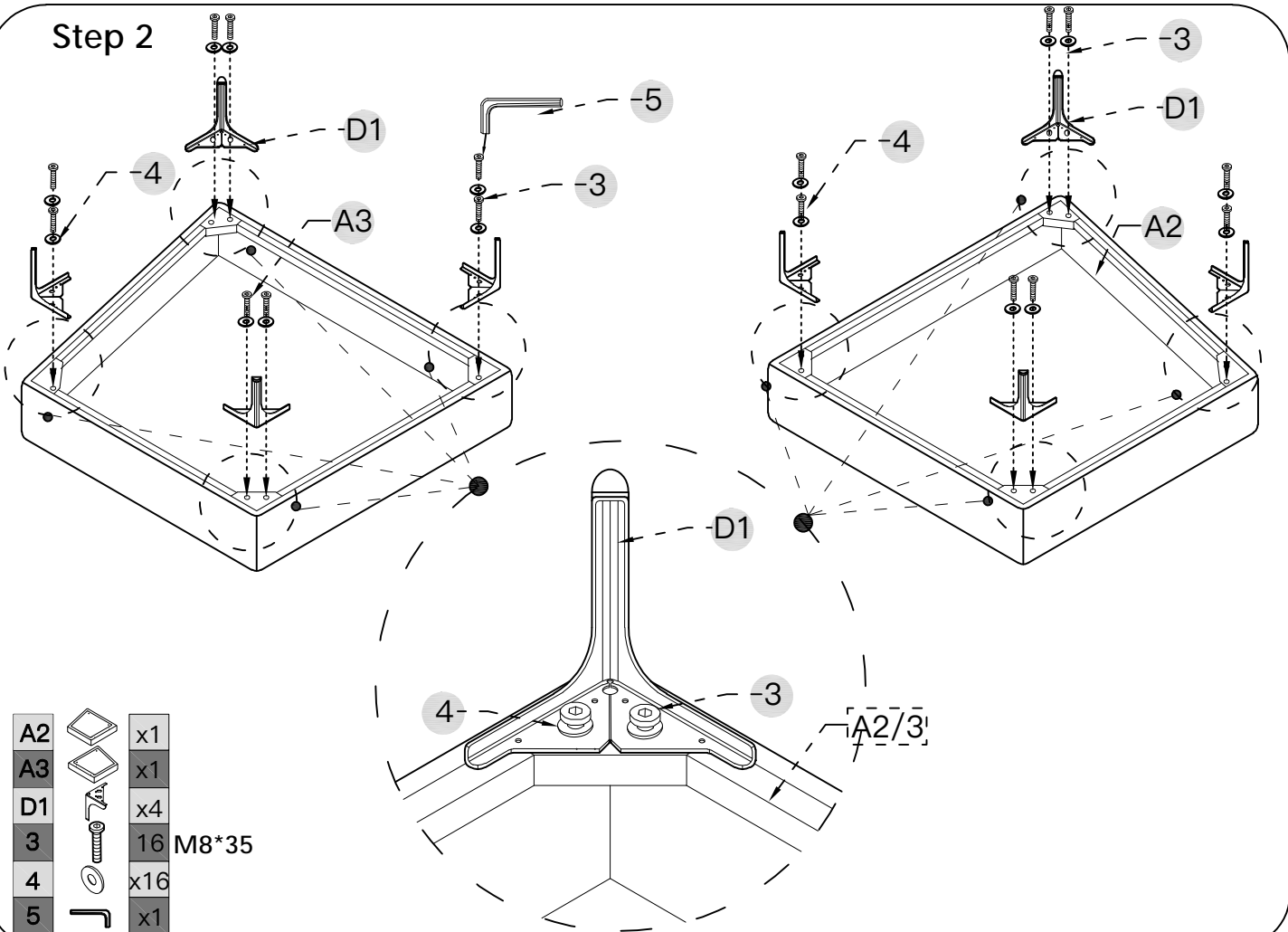


Installation method

Step 1

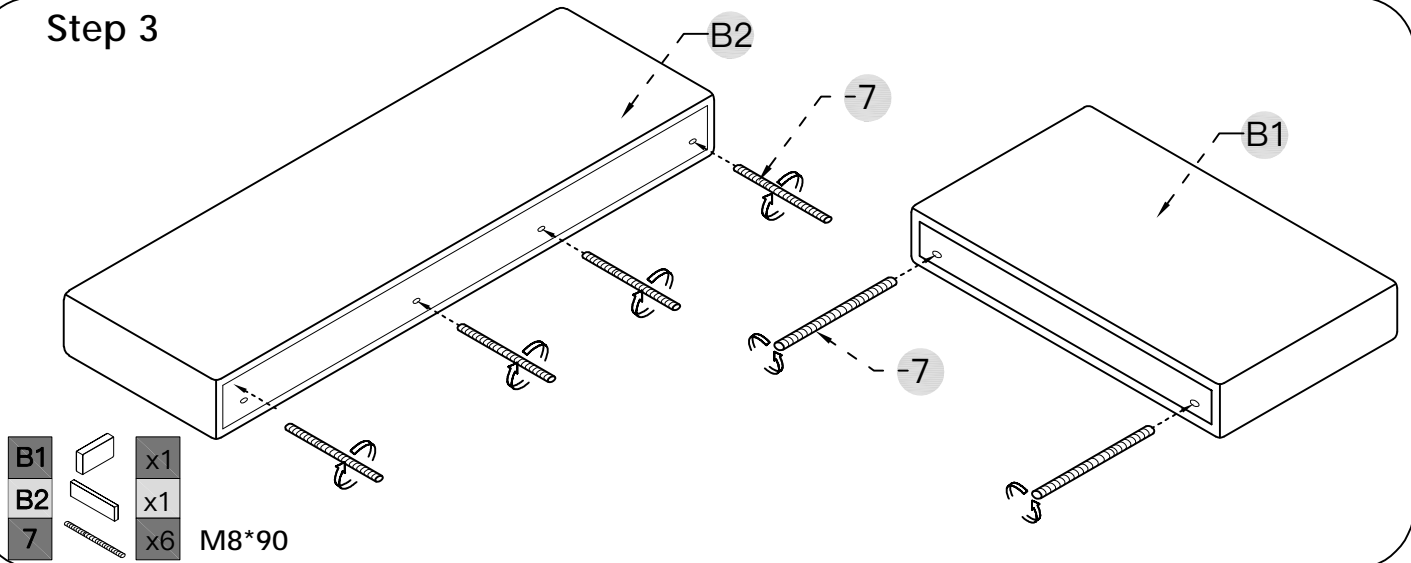


Step 2

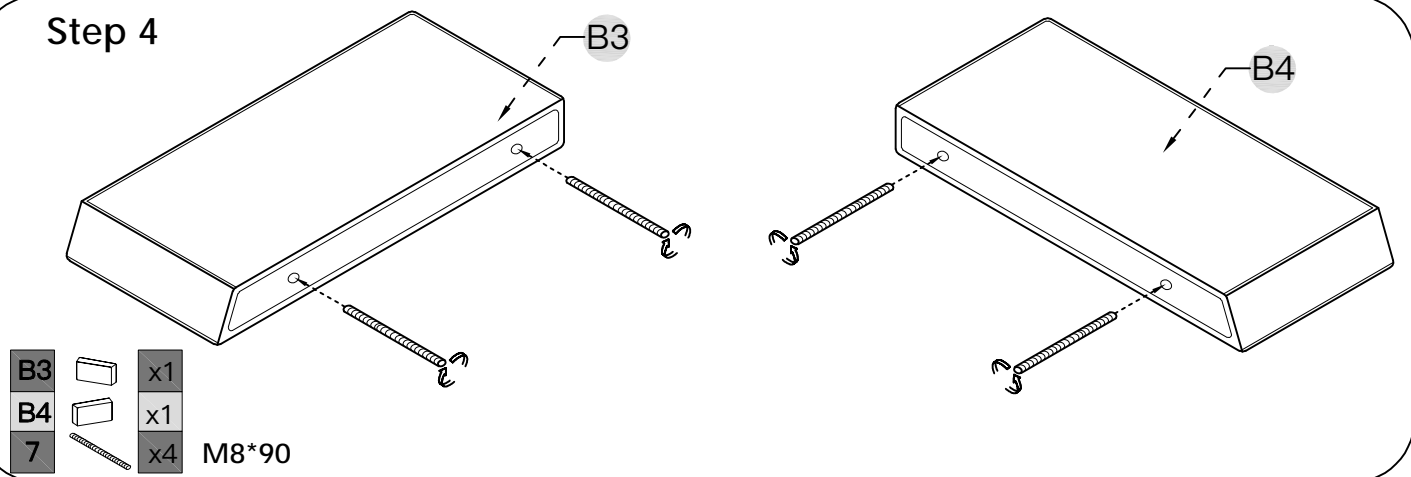


Installation method

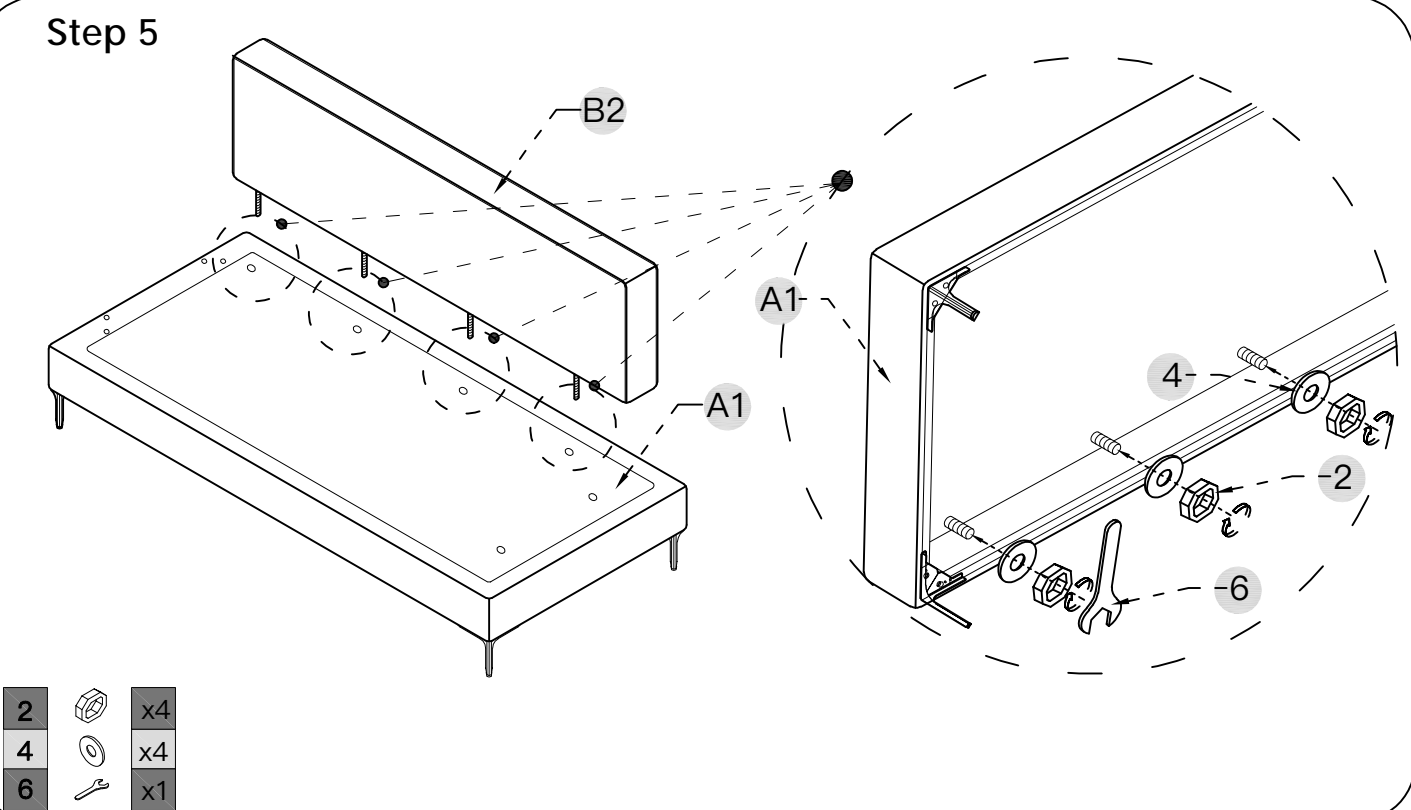
Step 3



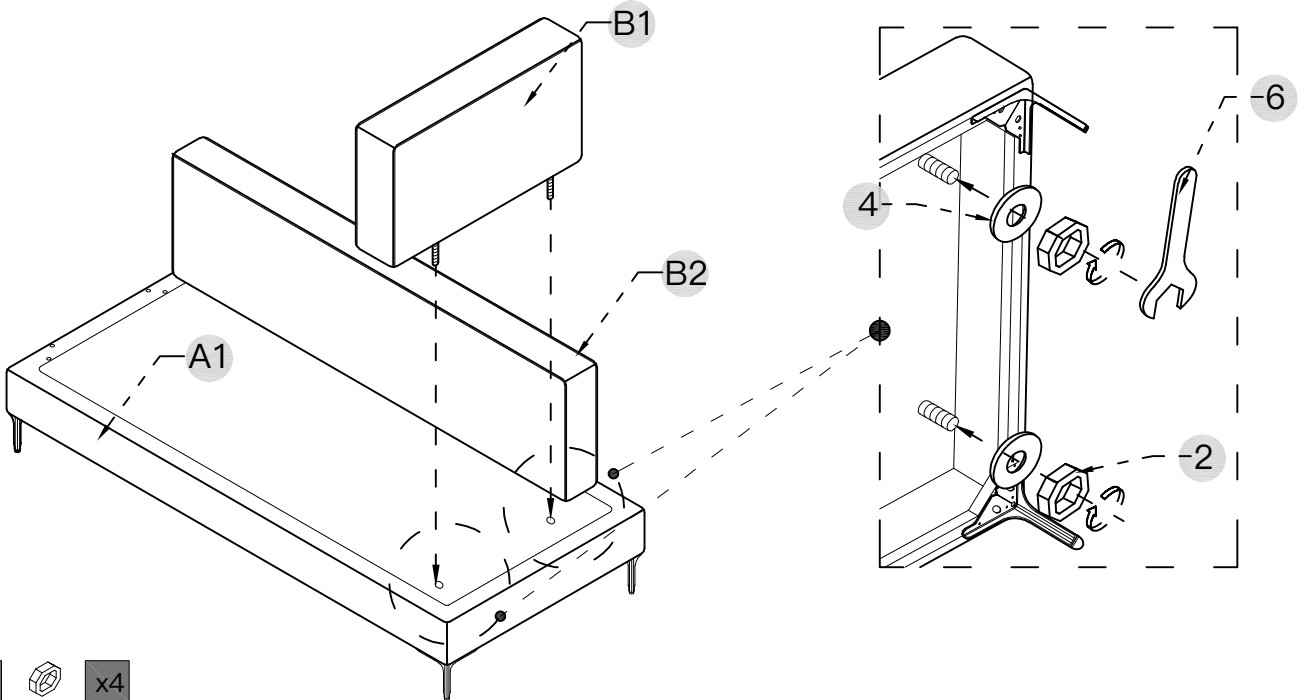
Step 4



Step 5

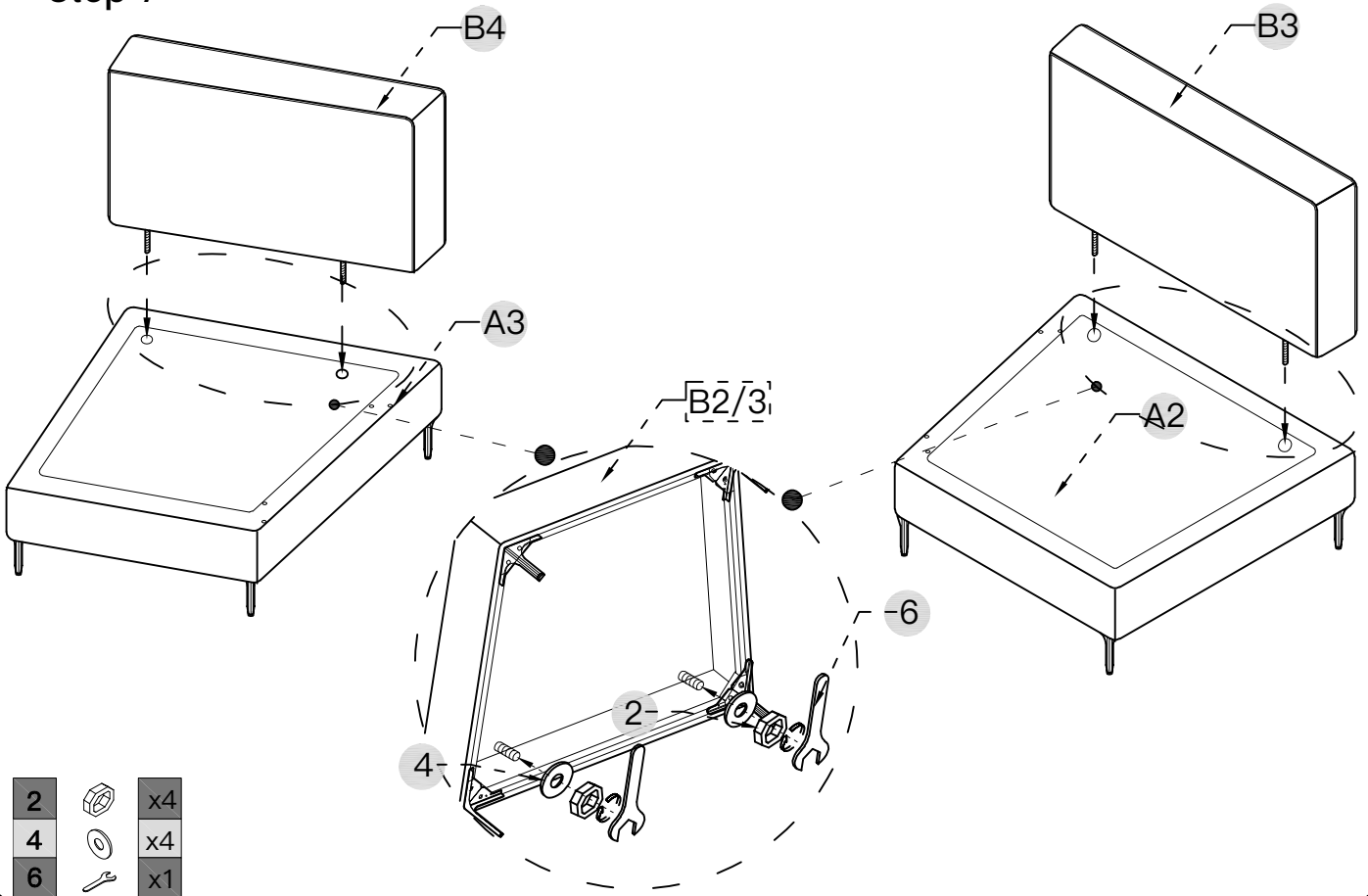


Step 6



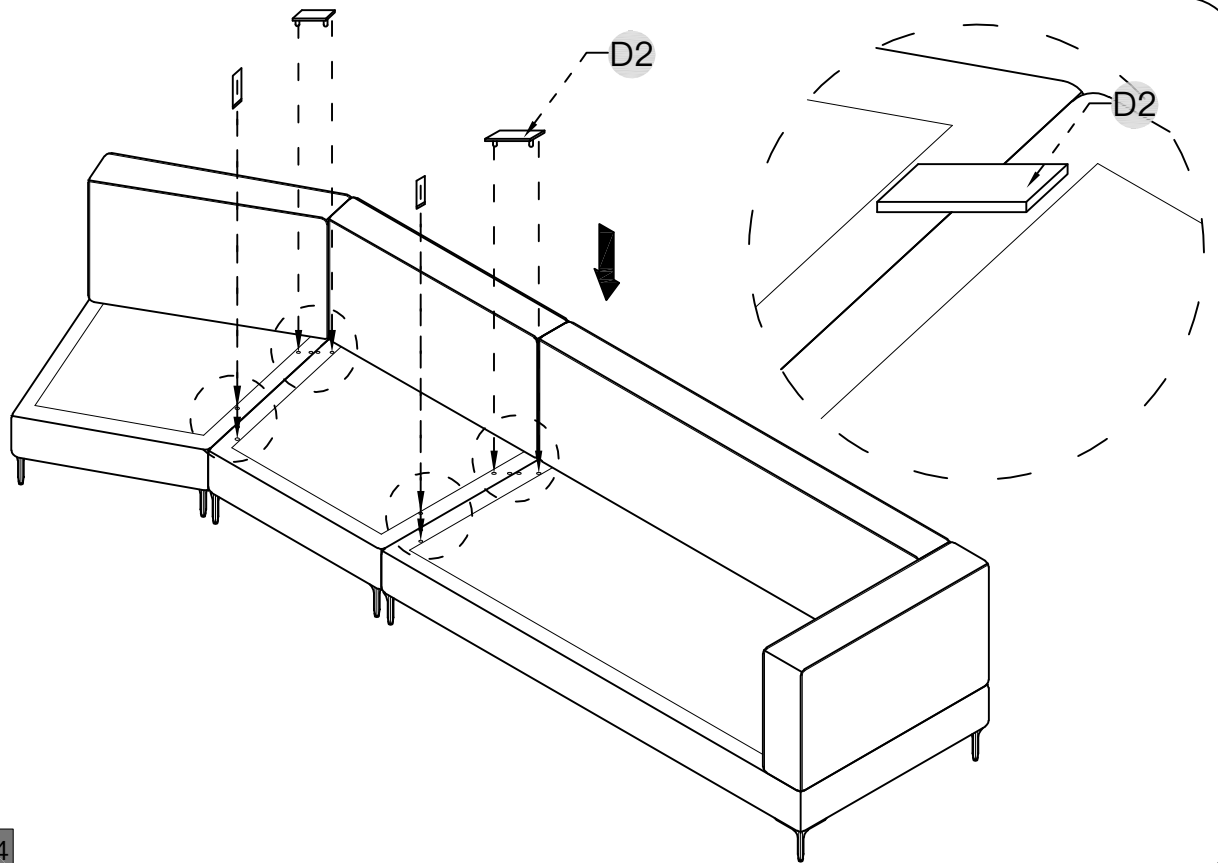
2		x4
4		x4
6		x1

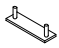
Step 7



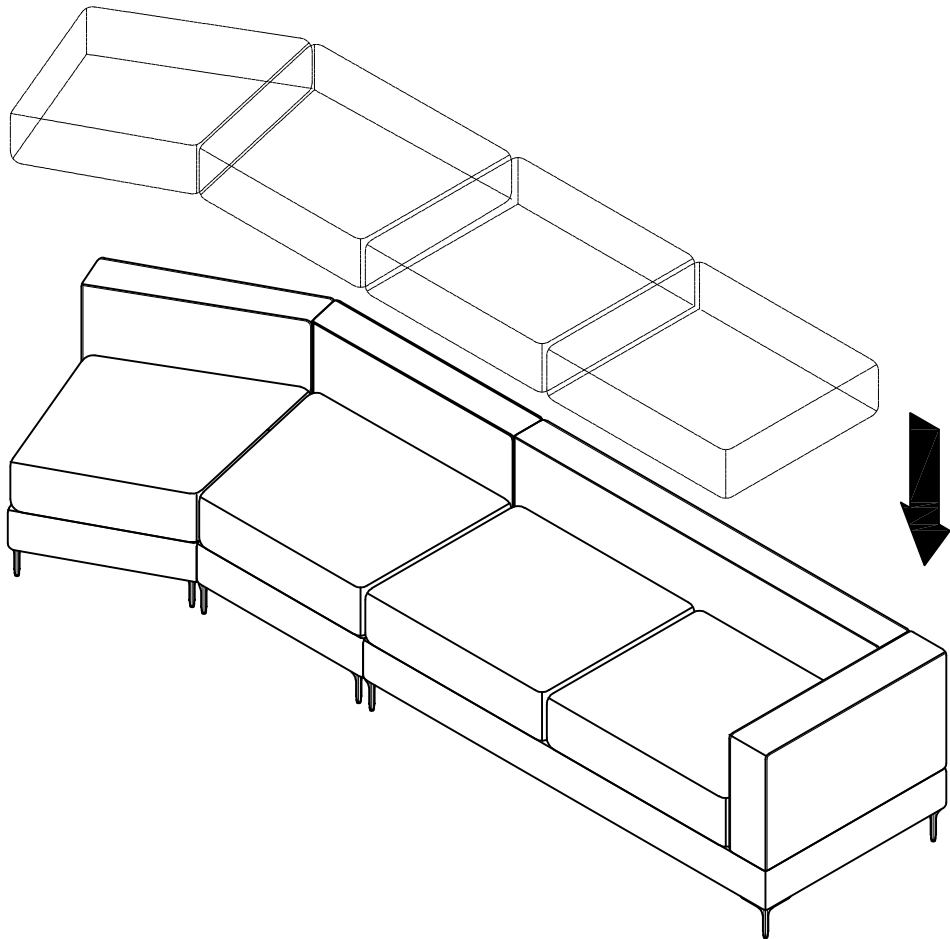
2		x4
4		x4
6		x1

Step 8

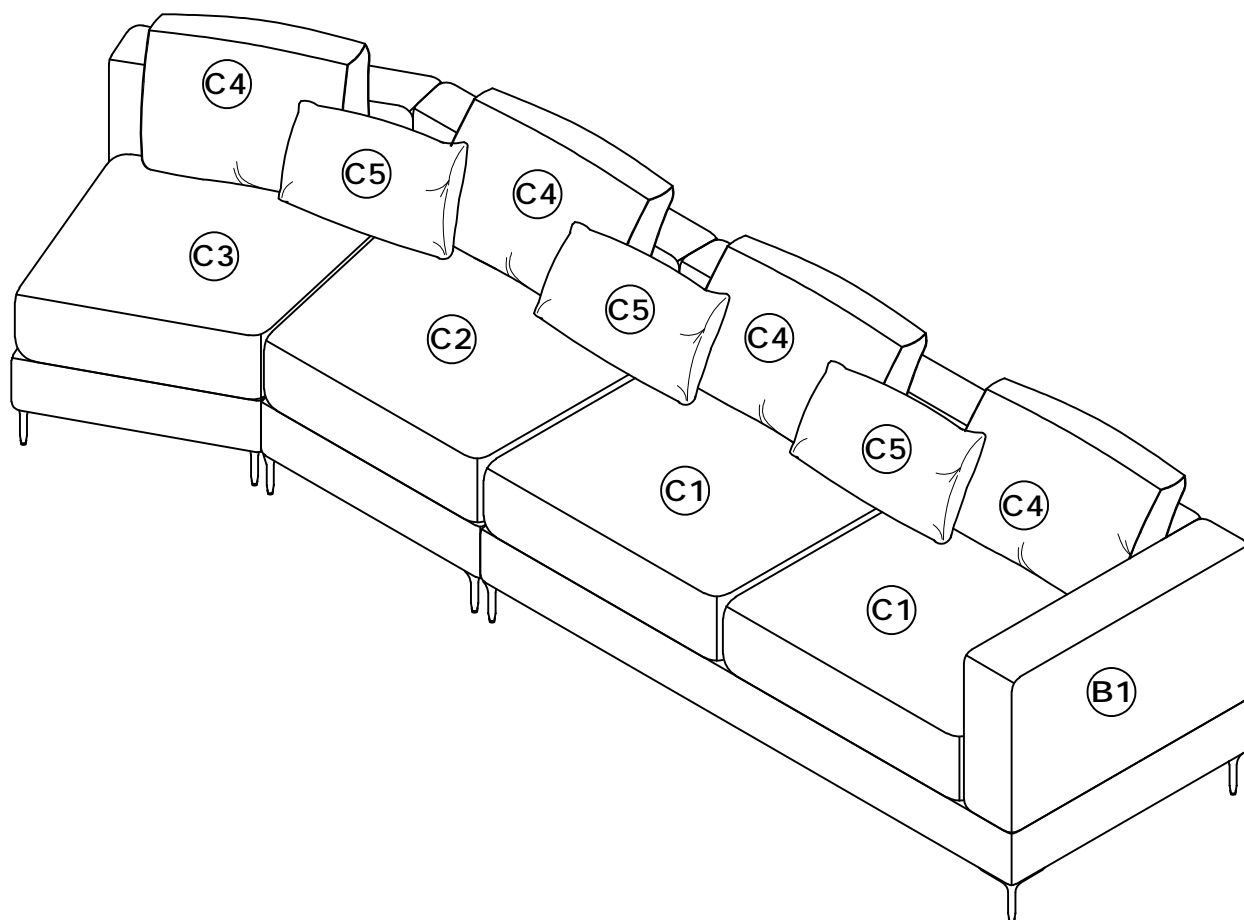


D2  x4

Step 9



Step 10



Assembly completed!

Please enjoy the sofa