
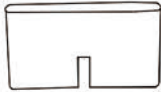






ASSEMBLY INSTRUCTION

CVFN4623

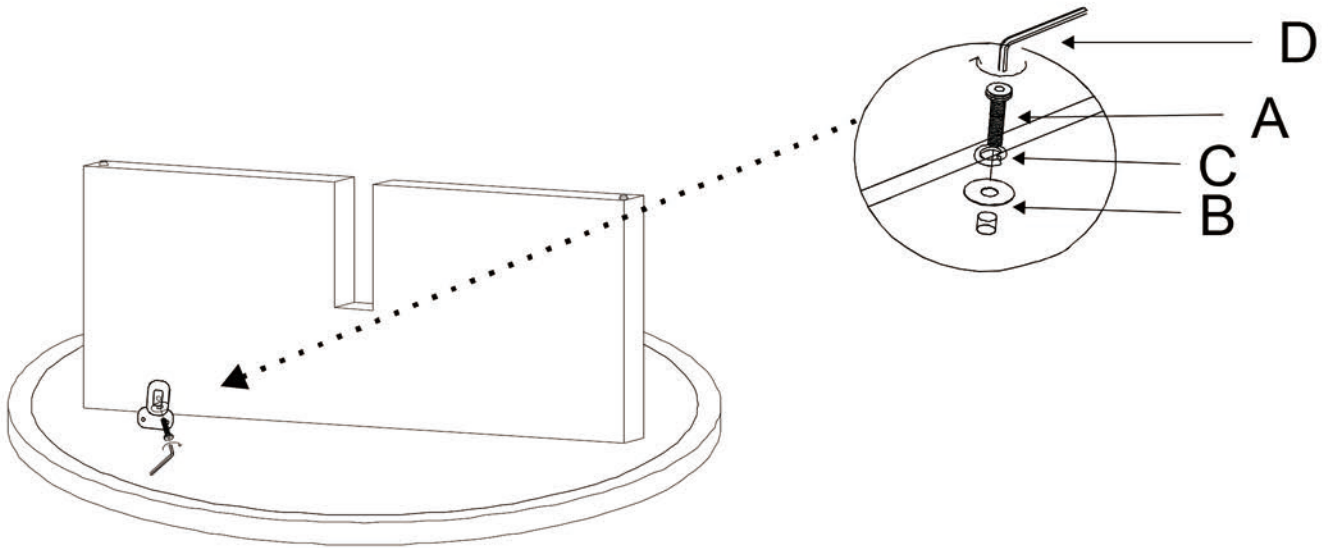
PARTS

S.NO.	DESCRIPTION	QTY
E	 TOP	1 PC
F	 LEG	2 PCS

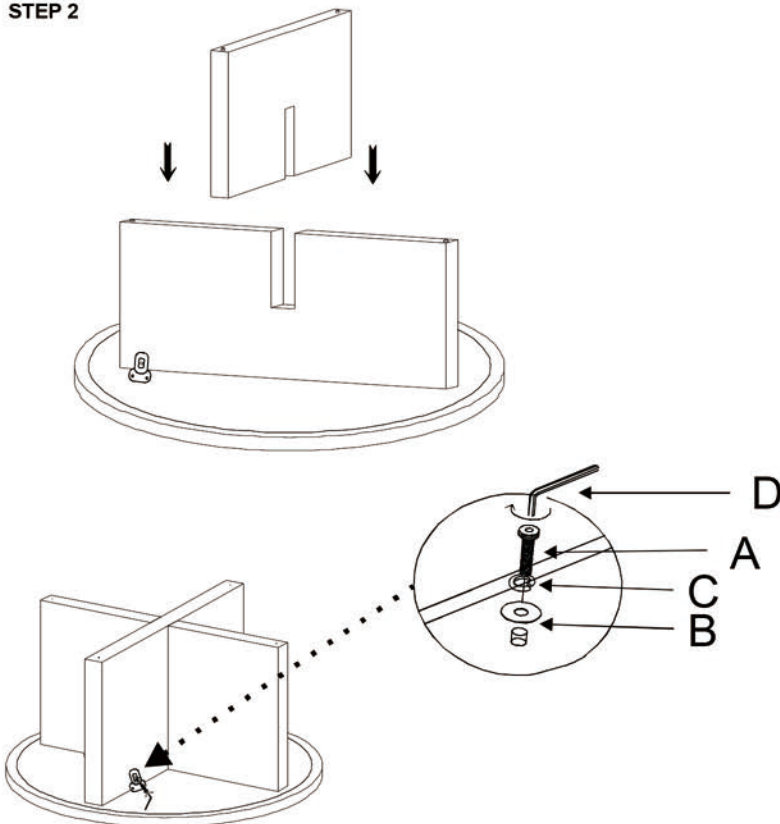
HARDWARE

S.NO.	DESCRIPTION	QTY
A	 ALLEN SCREW SIZE : 6x20mm	4 PCS
B	 WASHER SIZE : 8x25mm	4 PCS
C	 SPRING WASHER SIZE : 8mm	4 PCS
D	 ALLEN KEY SIZE : 4mm	1 PC

STEP 1



STEP 2



STEP 3

COMPLETE

