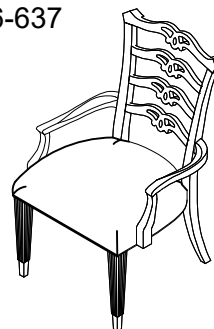


ASSEMBLY INSTRUCTIONS

426-637



TOOLS REQUIRED:

Allen Key (supplied, part # H)

BEFORE YOU START:

1. Check the parts against the parts list to make sure all items are present.
2. Assemble your furniture on a soft, flat surface to avoid scratching the finish.
3. **CAUTION:** Do not over tighten screws, nuts or bolts during assembly.
4. Your furniture may require occasional tightening.

INSTRUCTIONS:

1. Place the Chair Back facing upward on a soft and flat surface. Attach chair seat to the chair back, using Flat Washer (D), Lock Washer (C), Bolts (B) and Tighten with Allen Key (H). (See Figure 1)

2. Attach the front leg to the chair seat, using Flat Washer (D), Lock Washer (C), Bolts (A) and tighten with Allen key (H). (See Figure 2)

3. Use Bolt (A), Lock Washer (C) and Flat Washer (D) to attach the arm assembly to arm chair frame. Tighten bolt with Allen key (H). (See Figure 3)

4. Use Bolt (E), Lock Washer (F) and Flat Washer (G) to attach the arm assembly to back frame. Tighten bolt with Allen key (H). (See Figure 4)

5. Tighten all bolts before use.

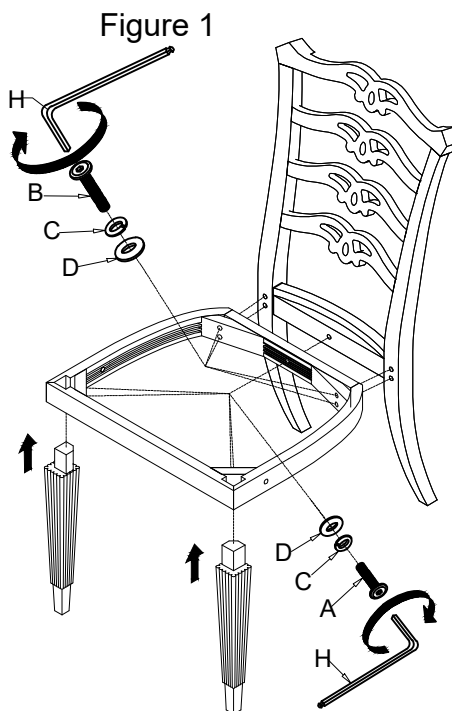


Figure 2

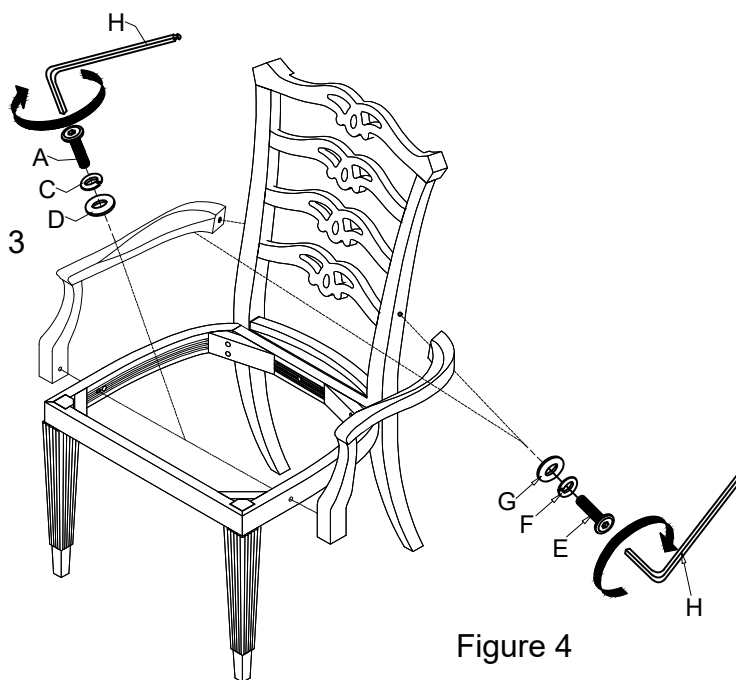





Figure 3

Figure 4

No.	Hardware List		Q'ty
A		Bolt Ø5/16xL1-3/4"	7
B		Bolt Ø5/16xL3"	4
C		Lock Washer Ø5/16"	11
D		Flat Washer Ø5/16"	11
E		Bolt Ø1/4"xL1-1/4"	2
F		Lock Washer Ø1/4"	2
G		Flat Washer Ø1/4"	2
H		Allen Key 4mm	1