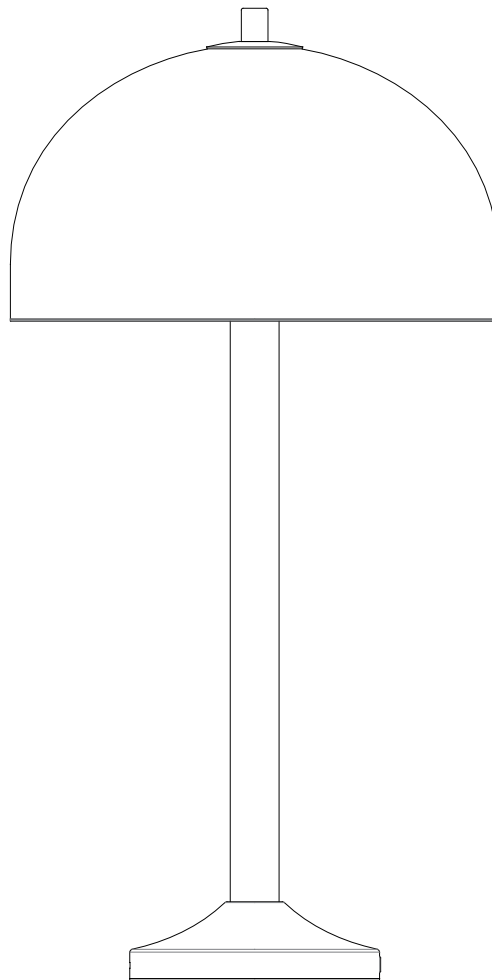
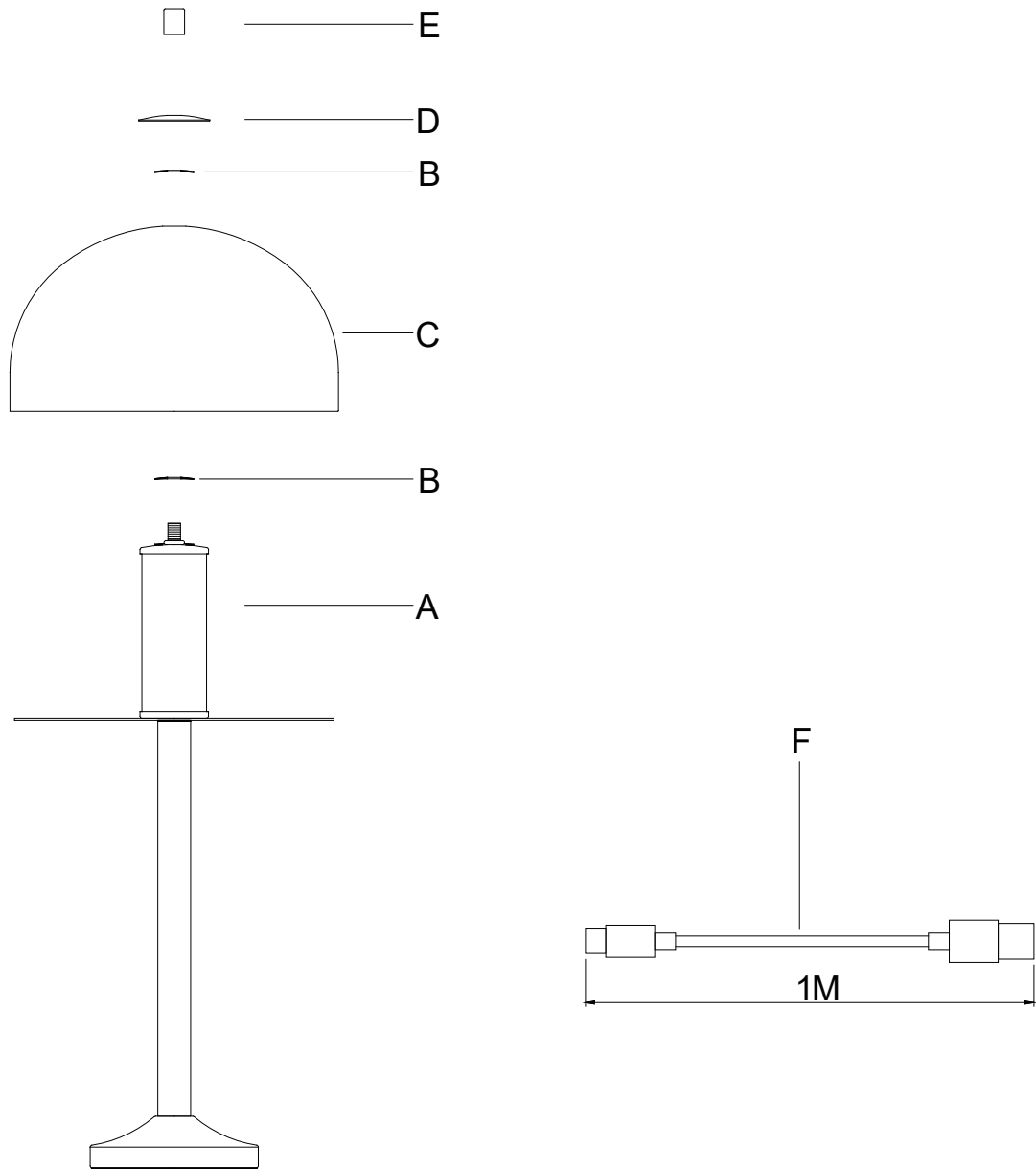


110V LED Table Lamp



PACKAGE CONTENTS



PART	DESCRIPTION	QTY.
A	Lamp body	1
B	Rubber washer	2
C	Shade	1
D	Cap	1
E	Finial	1
F	USB cable	1

! SAFETY INFORMATION

Please read and understand this entire manual before attempting to assemble, operate or install the product.

! WARNING

- California Prop. 65: This lighting fixture contains chemicals known to the state of California to cause cancer, birth defects, and/or other reproductive harm. Wash hands after use.

IMPORTANT SAFETY INSTRUCTIONS

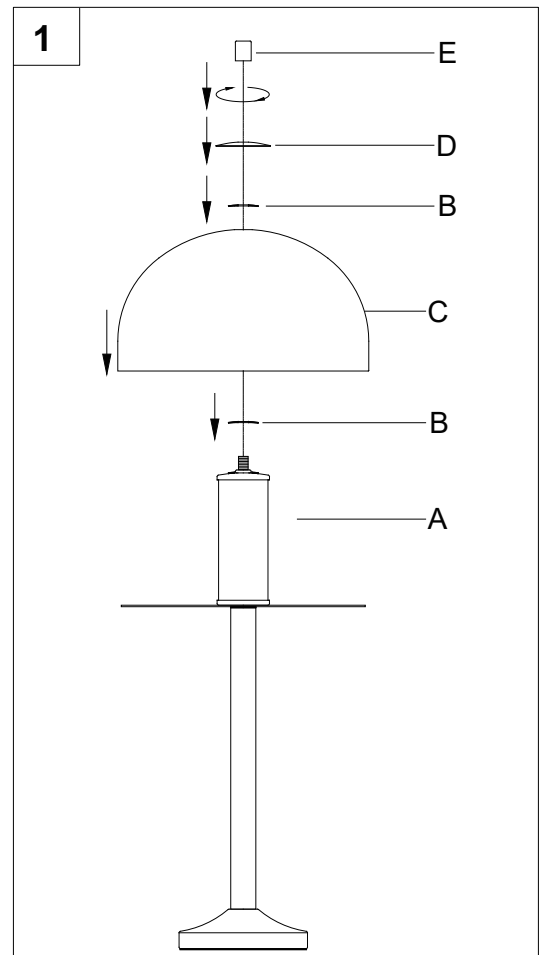
- LED BULBS ARE NON-REPLACEABLE.**
- Please use the qualified adapter with specific SELV output 5V, 2A. (Adapter is not included)
- Built-in battery capacity:5000mAh; charging time:5 hours; Working time when fully charged: 12~24 hours (depend on chosen intensity of light)

ASSEMBLY INSTRUCTIONS

1. Lamp body (A) Rubber washer (B) Shade (C)

Cap (D) Finial (E)

Note: Place the rubber washer, the shade, the rubber washer and the cap over the nipple on the lamp body. Secure by threading the finial onto the nipple. Hand-tighten until snug.



ASSEMBLY INSTRUCTIONS

- . If necessary, please fully charge this lamp before use with attached type A to Type C charging cord.
- . Insert the Type C connector of USB cable into the Type C port in the base of the lamp body.
- . Insert the Type A connector of the USB cable into the Type A port of a qualified power source (SELV output 5Vdc, 2A, not included). For example, a computer/laptop, vehicle, power bank, or USB power adapter.
- . When charging, the indicator on the base will turn red; and when fully charged, the indicator will turn green.
- . After fully charged, disconnect the USB cable from the lamp body and the power source. The light is now ready to use.
- . Touch dimmer switch: Turn on/off by clicking the switch, long press the switch to adjust the LED brightness.

CARE AND MAINTENANCE

- . Always be certain that electric current is turned off before cleaning this item.
- . Use a soft, moist cloth with mild non-abrasive soap to clean fixture. Never use glass cleaner on fixture, as it will damage the metal finish.
- . All glass shades may be washed in a towel-lined sink with warm water and mild soap. Do not wash shades in an automatic dishwasher.

TROUBLE SHOOTING

PROBLEM	POSSIBLE CAUSE	CORRECTIVE ACTION
Lamp does not light.	1. The lamp has no power. 2. Power adapter broken.	1. Please charge the lamp. 2. Replace the power adapter.