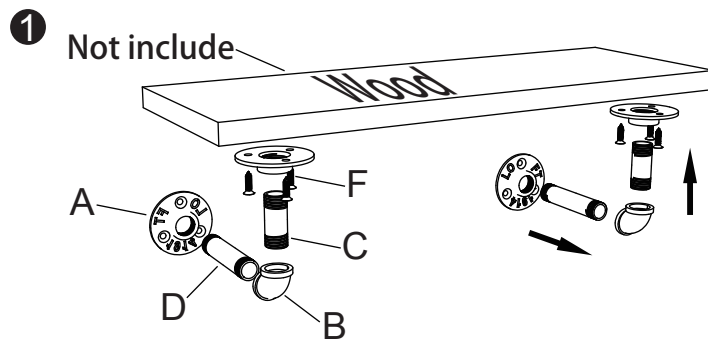
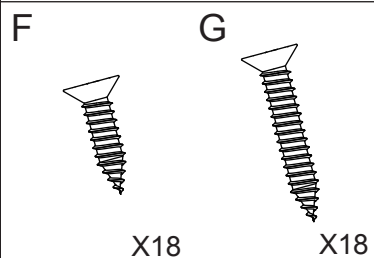
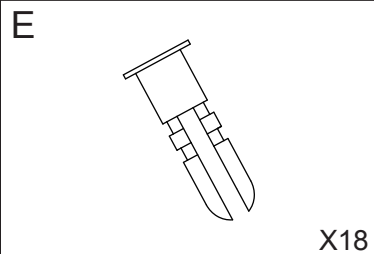
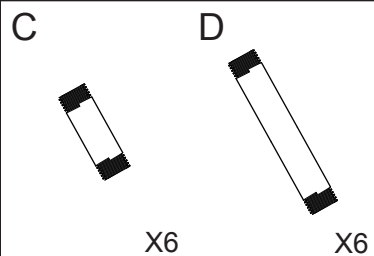
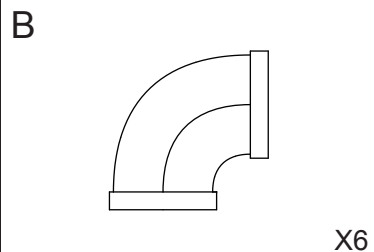
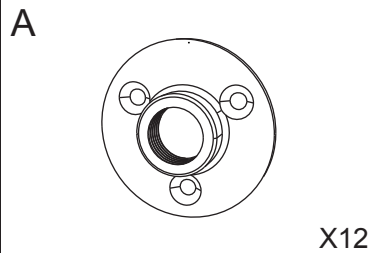
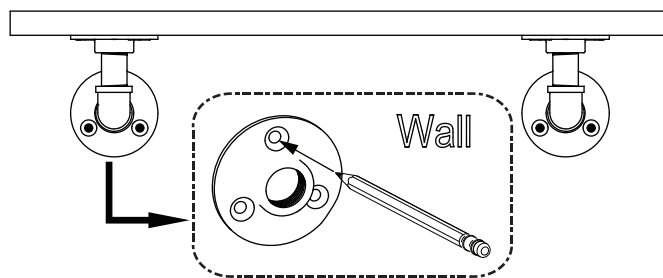


Pipe Shelf Brackets Set of 6

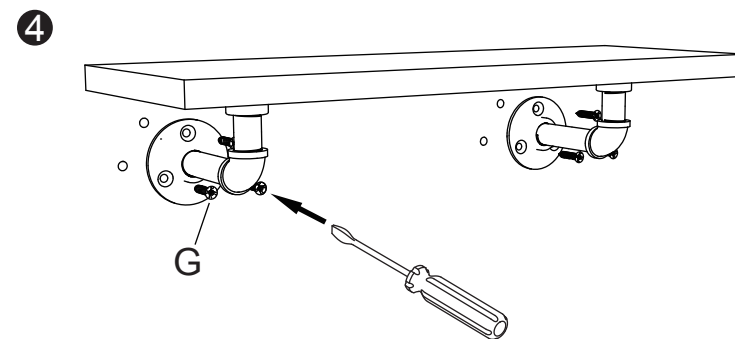
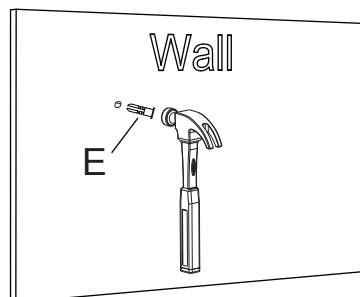
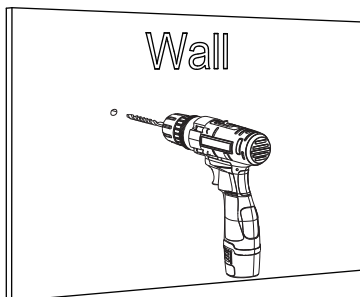
Parts List



2 Please lock the target hole with a pen.



3 Drill holes to wall according to drilling distances. Insert the expansion pipe into the hole.



5 It can be matched according to your own needs.

