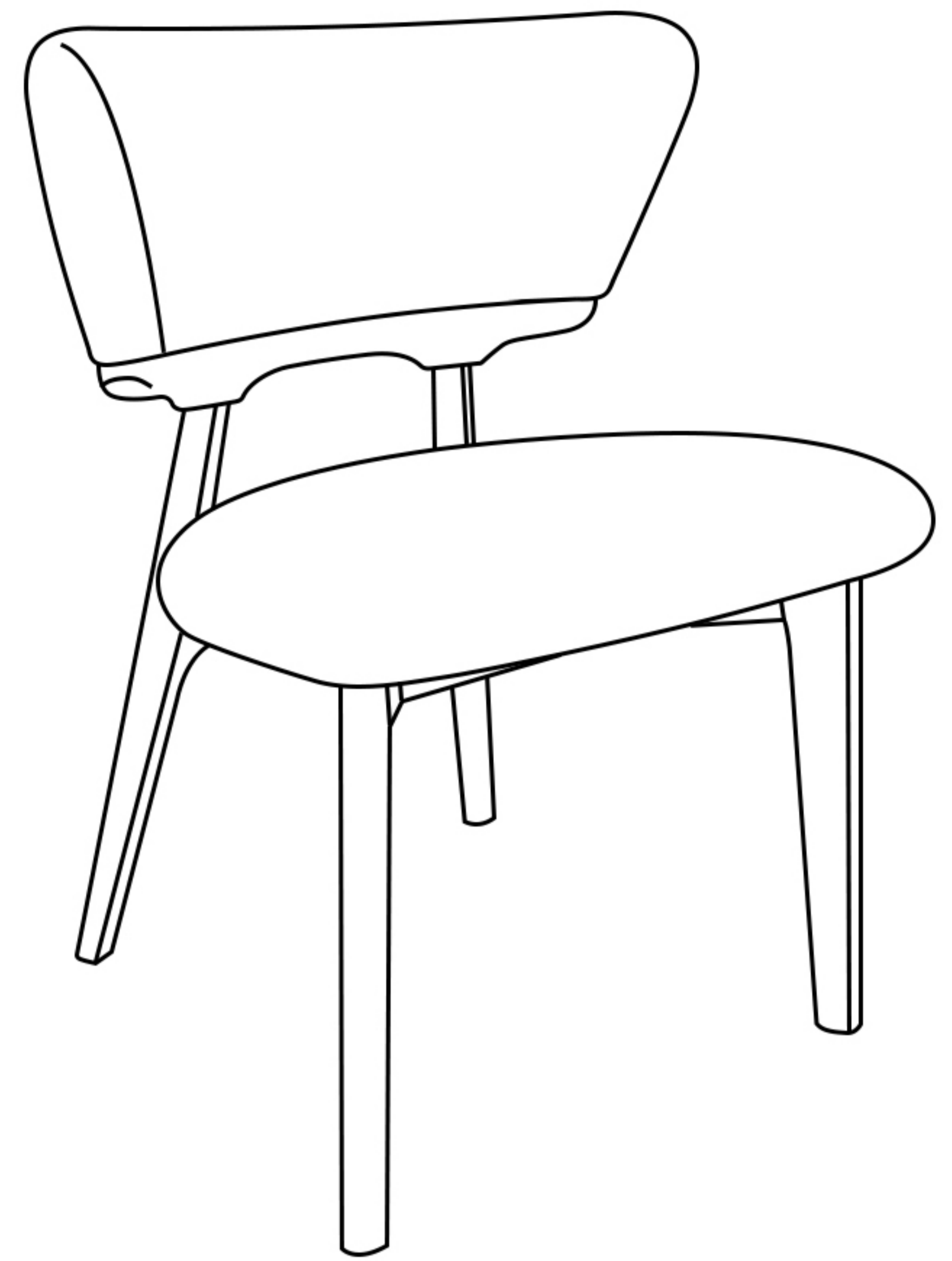


DINING CHAIR

L09

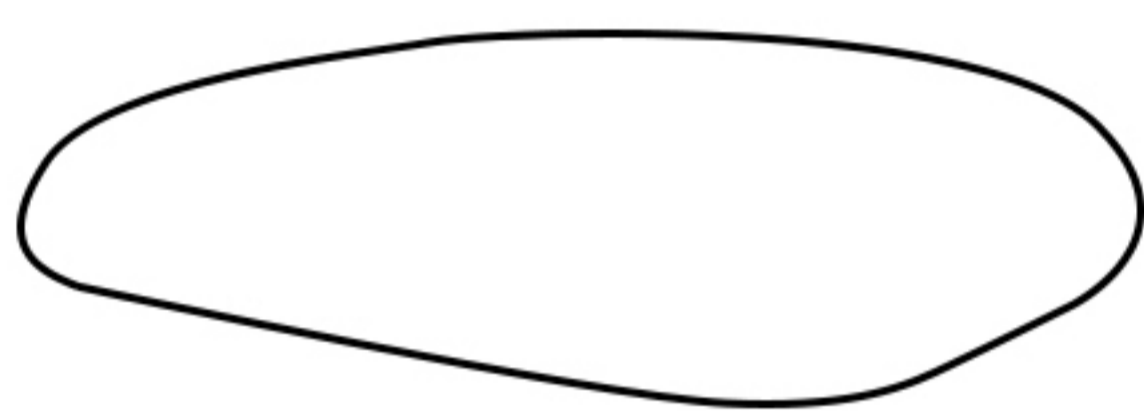


. Please keep instructions for future reference.

. Check the quantity and irregularity of parts and hardware before you start.

PARTS

#1 1pc



Seat

#2 1pc



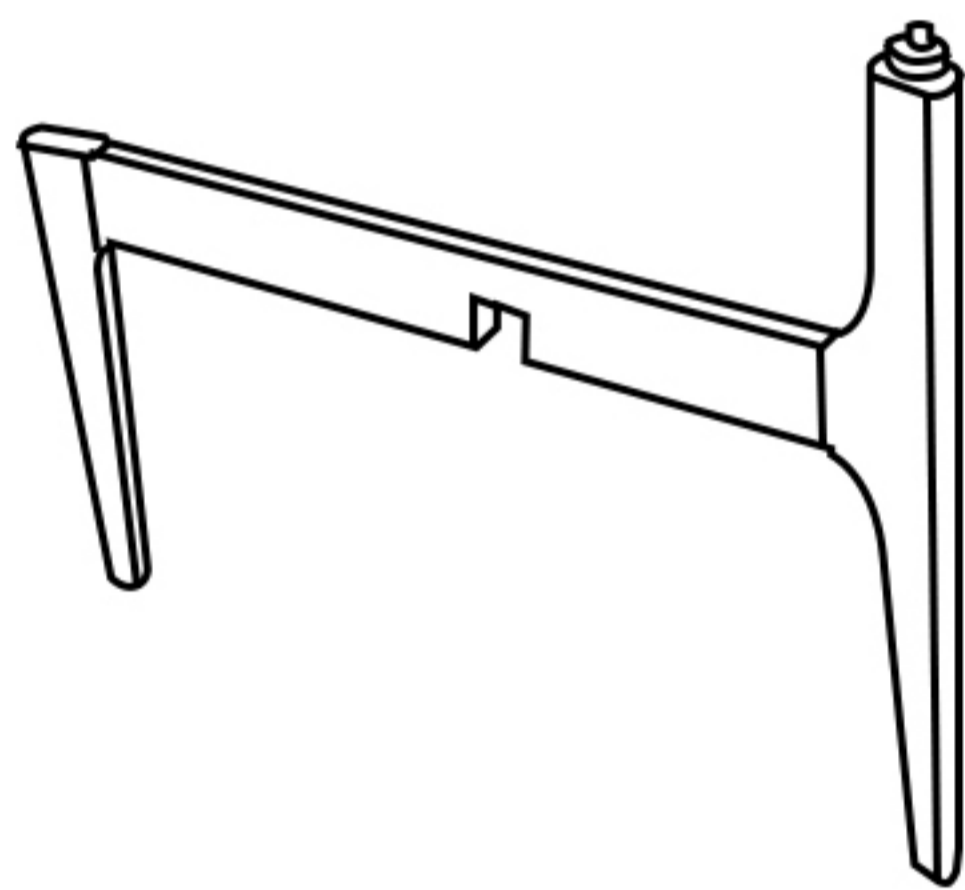
Backrest connector

#3 1pc



Backrest

#4 1pc



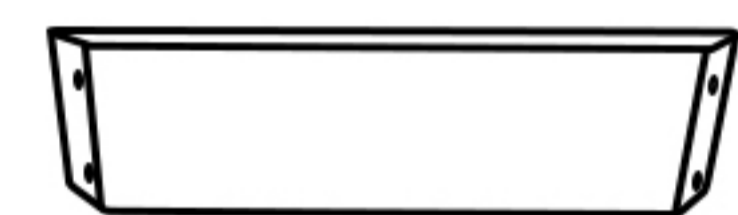
Below leg

#5 1pc



Up leg

#6 1pc



stull

HARDWARE

#A 4pcs



M6*25mm

#B 5pcs



M6*40mm

#C 5pcs



M8*40mm

#D 1pc



M6

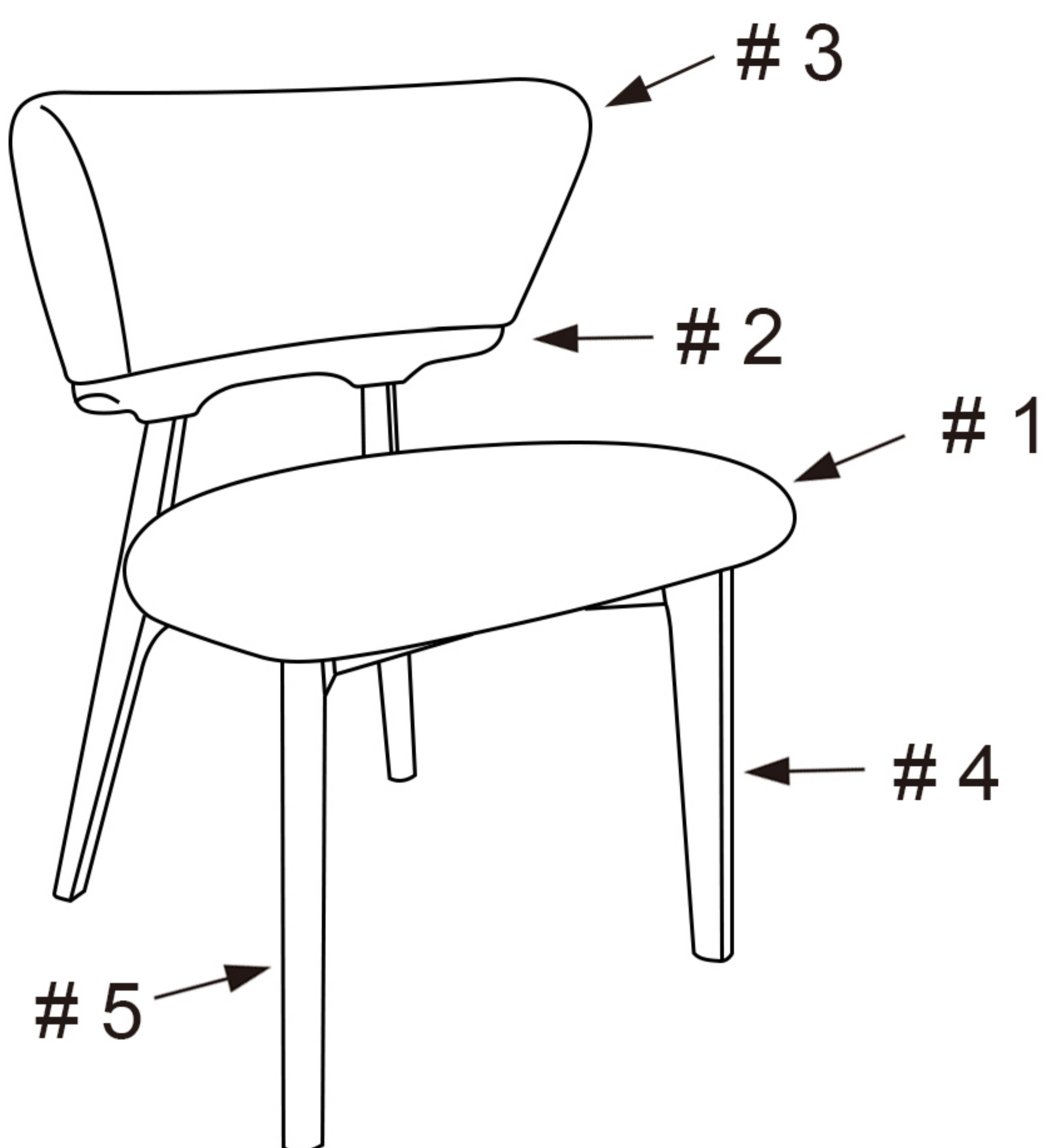
#E 1pc



M8

ASSEMBLY INSTRUCTIONS

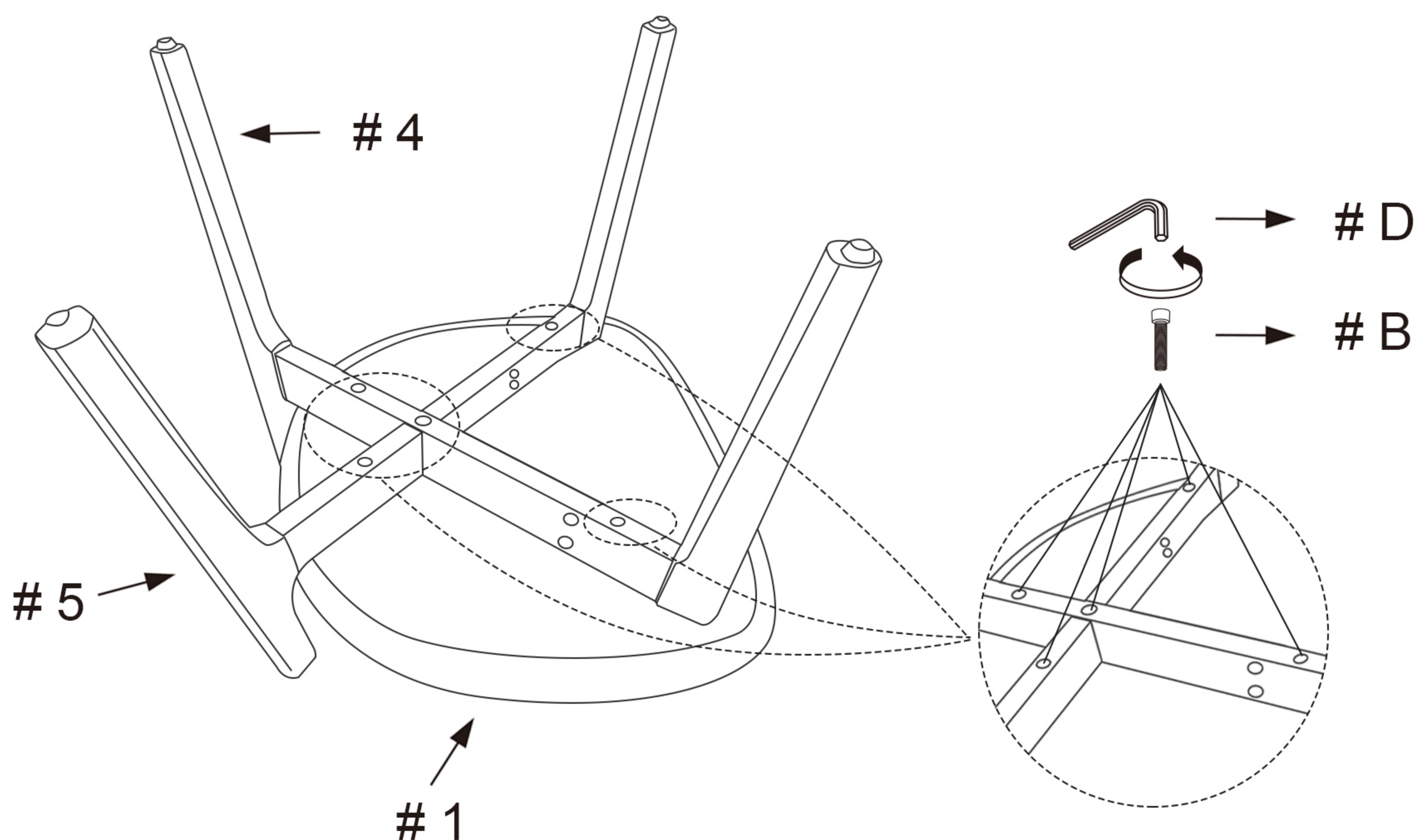
1



2

- Part #1 x1pc
- Part #4 x1pc
- Part #5 x1pc
- Hardware #B x5pcs
- Hardware #D x1pc

Align seat (#1) to the chair legs (#4,#5), then secure by using bolts (#B) with wrenchs (#D).



ASSEMBLY INSTRUCTIONS

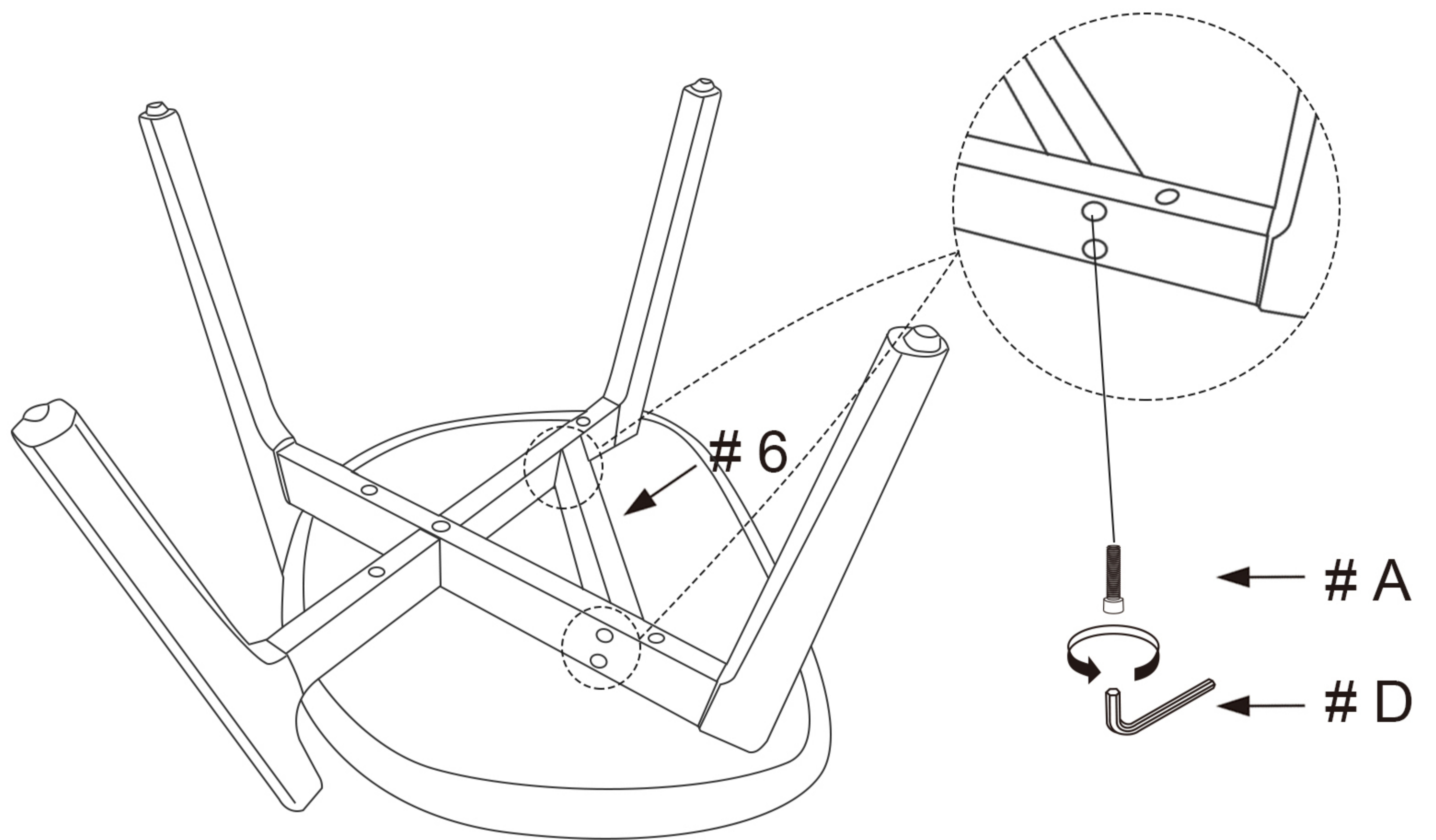
3

Part #6 x1pc

Hardware #A x4pcs

Hardware #D x1pc

Align stull (#6) to the chair legs (#4,#5), then secure by using bolts (#A) with wrenchs (#D).



leg has left and right, please make sure the 2 small holes are facing each other, otherwise, #6 won't fit

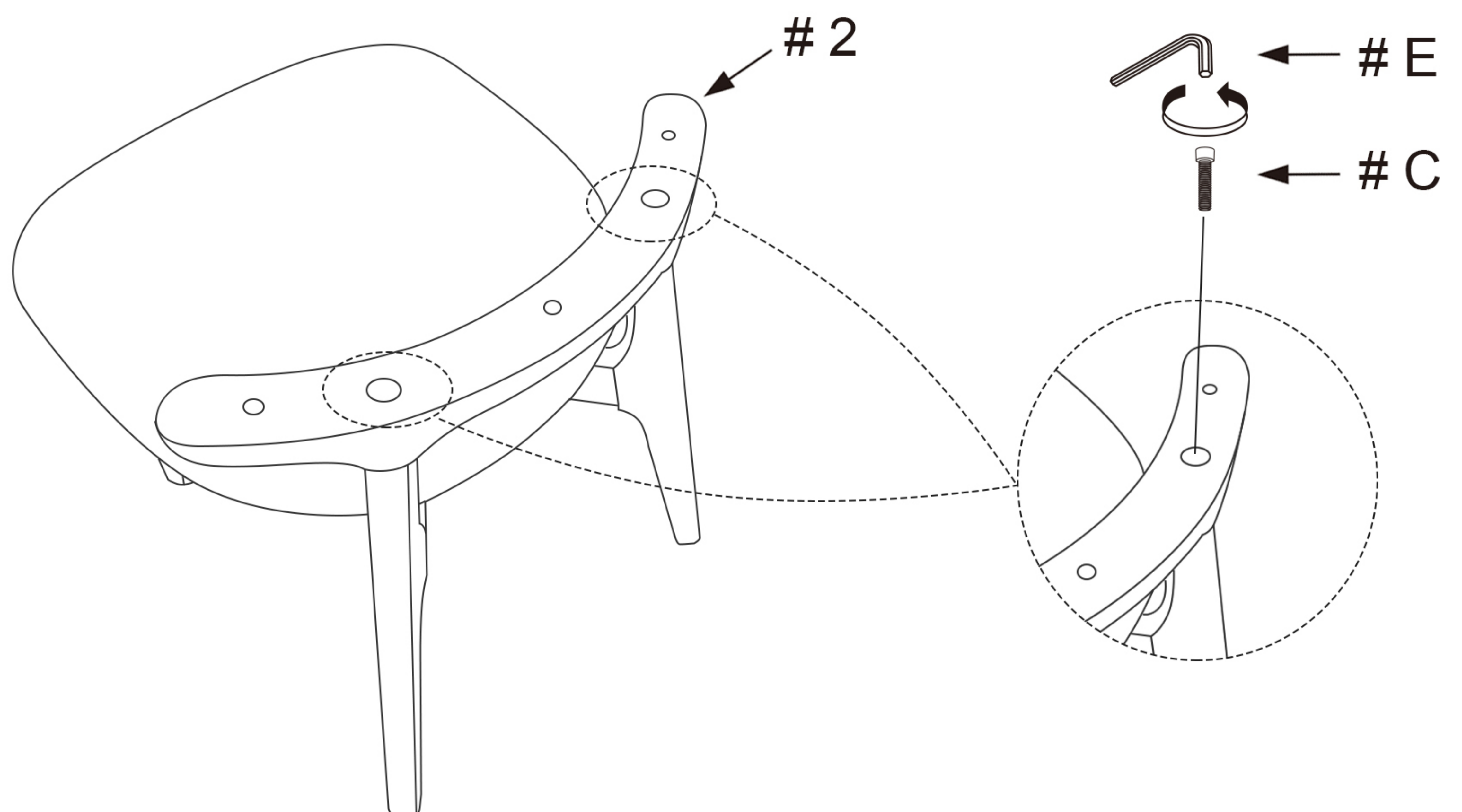
4

Part #2 x1pc

Hardware #C x2pcs

Hardware #E x1pc

Align Backrest connector (#2) to the chair legs (#4,#5), then secure by using bolts (#C) with wrenchs (#E).



ASSEMBLY INSTRUCTIONS

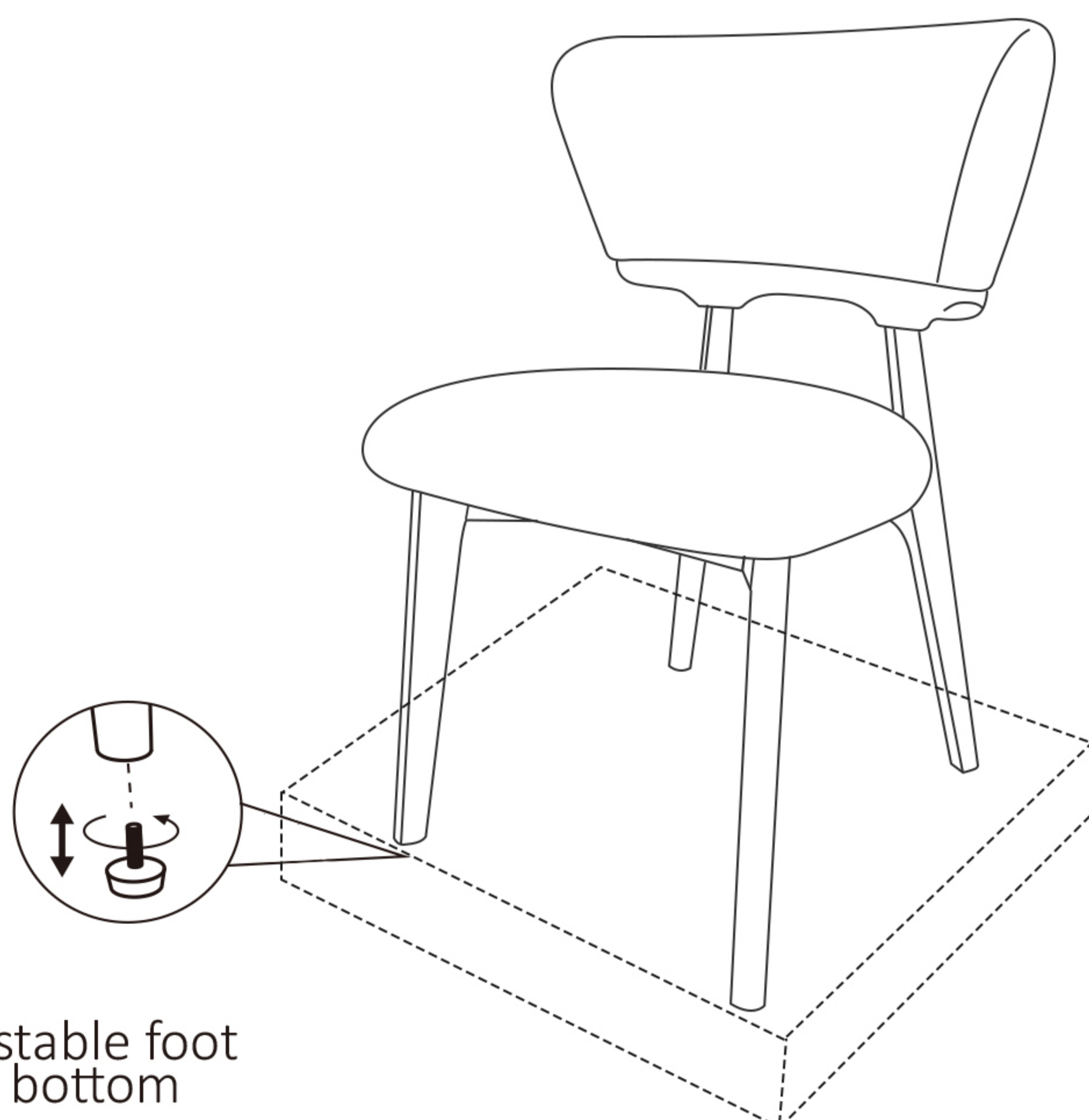
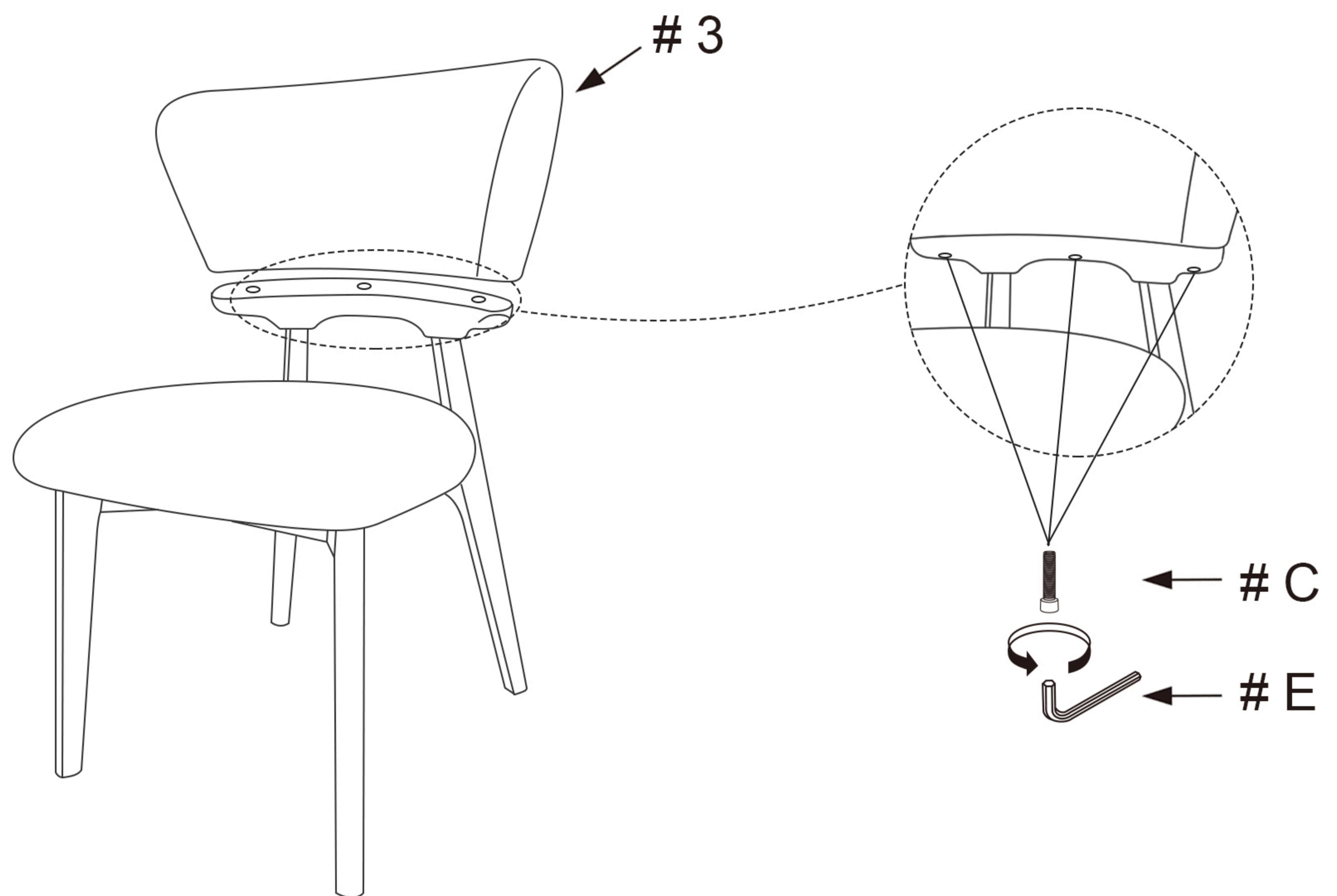
5

Part #3 x1pc

Hardware #C x3pcs

Hardware #E x1pc

Align Backrest (#3) to the Backrest connector(#2), then secure by using bolts(#C) with wrenchs (#E).



Install adjustable foot nails at the bottom

ASSEMBLY COMPLETED



Please ensure the furniture rests on an even and flat surface. If the product wobbles or feels loose, double-check all bolts and/or screws are properly tightened and secured.



Keep this handy!

Please retain this instruction manual and any order-related information for future reference.



Lift, don't drag!

To avoid damage to product please always LIFT the product when transporting or adjusting the placement.