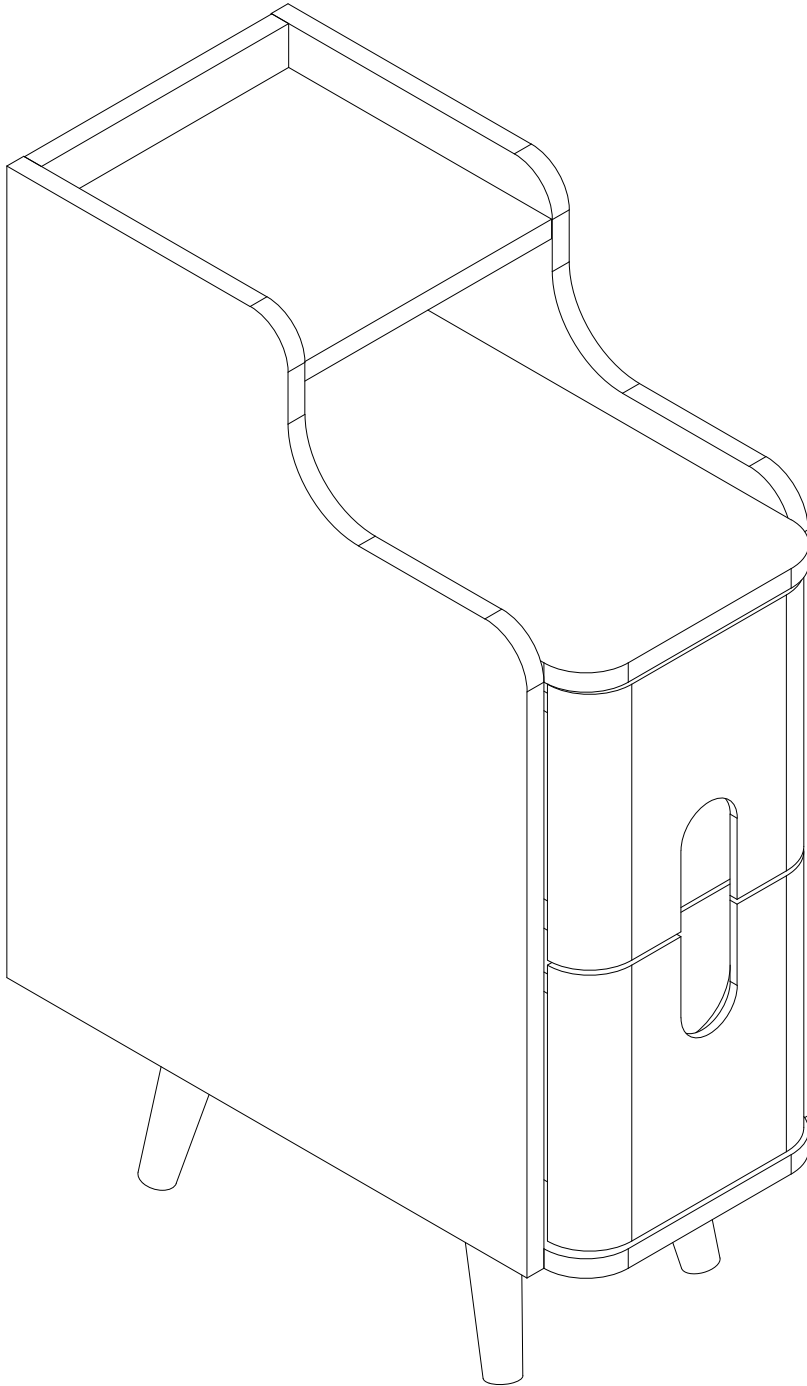


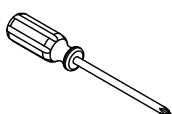
Installation Instruction



Assembling

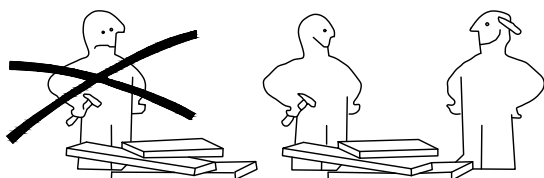
What you need

- Use the packaging carton as a working surface to prevent product damage during assembly
- Phillips head screwdriver



Weight Limitation


100 | **35**
 lbs table top | lbs per

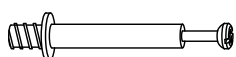


What' included

Code	Description	Qty
A	Cam Bolt M6X35MM	22
B	Cam Lock 15X10MM	22
C	Wooden Dowel M6X30MM	14
D	Screw M4X40MM	10
E	The screw M3X12MM	16
F	Hole position sticker	8
G	Foot nail	4
H	L-shaped metal sheet	2
I	Screw M3.5X12MM	22
J	Anchor	2
K	Five hole iron sheet	4
L	Tool	1
CL	Left mother extended orbit	2
CR	Right mother extended orbit	2
DL	Left public extension track	2
DR	Right public extends track	2

The Hardware

A



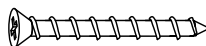
B



C



D



E



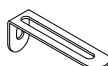
F



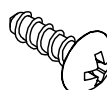
G



H



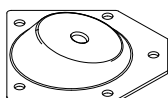
I



J



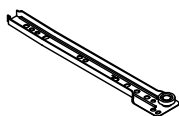
K



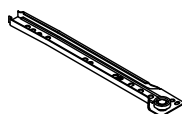
L



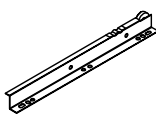
CL



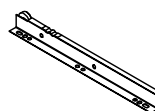
CR



DL



DR



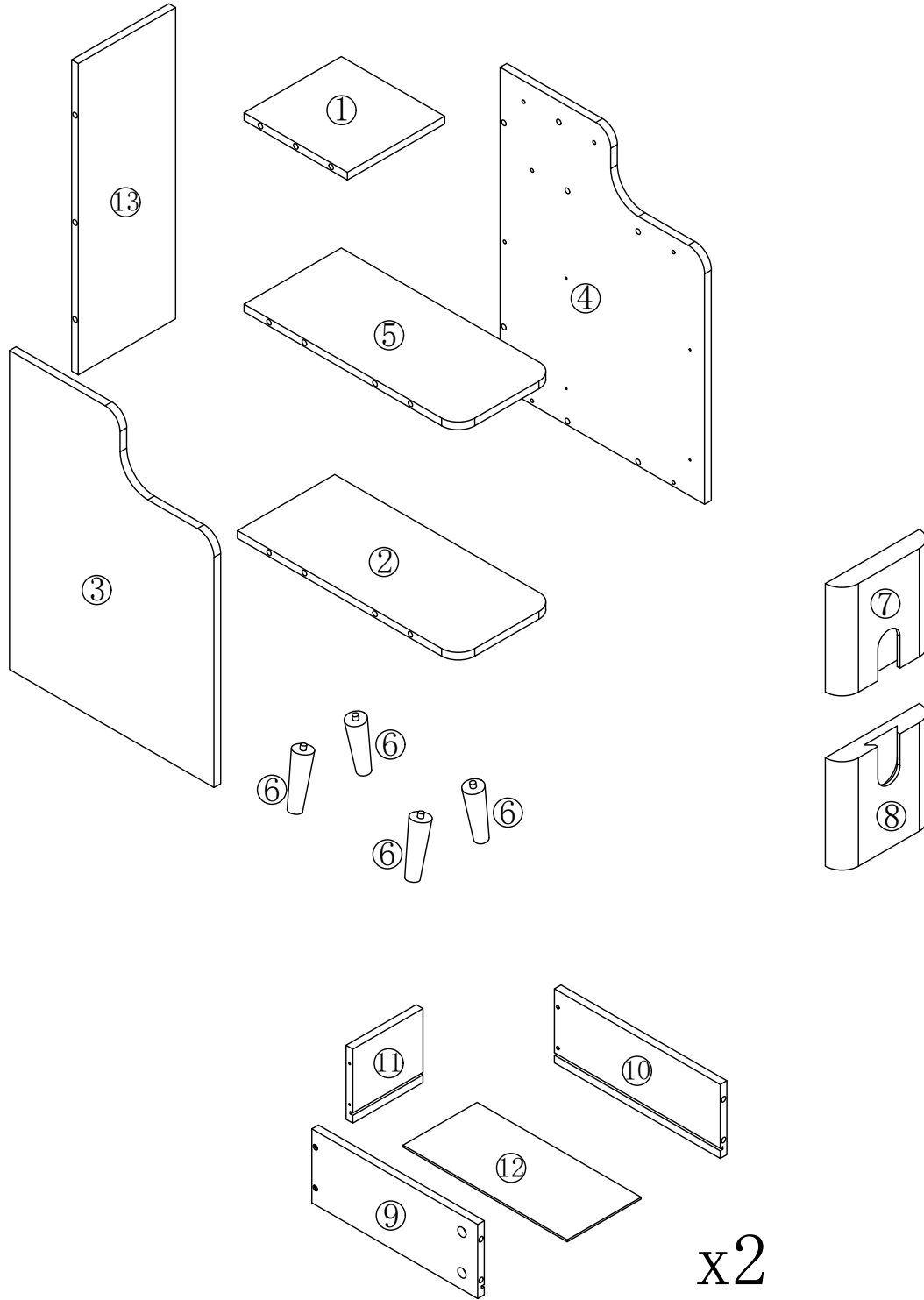
IMPORTANT:

1. Do not tighten bolts / screws completely until all bolts / screws are lined up and inserted into holes.
2. Do not over tighten screws and bolts to avoid stripping
3. Please use hand tools to assemble this product, you can also use power tools (please use power tools carefully)

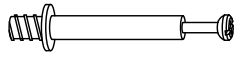
Included Accessories

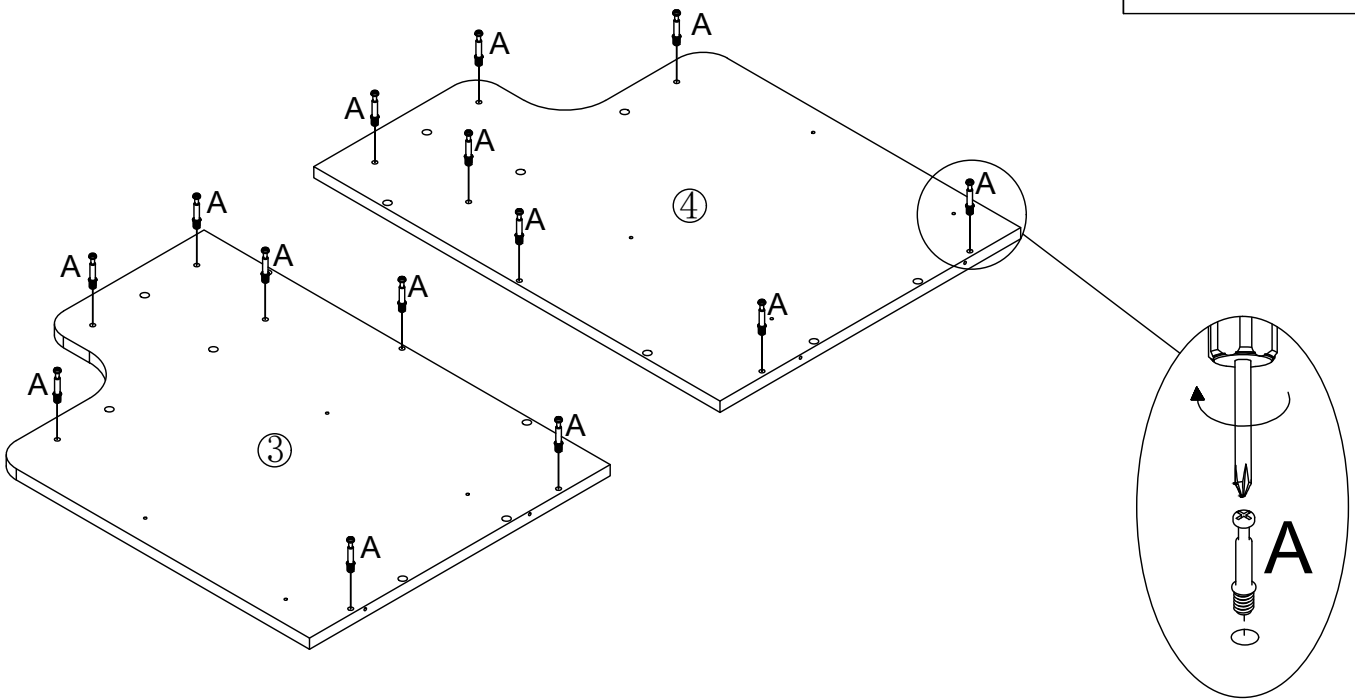
Code	Description	Qty
1	Cabinet Top	1
2	Bottom Panel	1
3	Left side panel	1
4	Right side panel	1
5	Middle panel	1
6	Supporting foot	4
7	Drawer panel	1
8	Drawer panel	1
9	Drawer left panel	2
10	Drawer right side panel	2
11	After the drawer board	2
12	The drawer bottom	2
13	Backboard	1

The Accessoriess


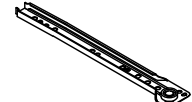
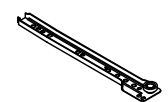


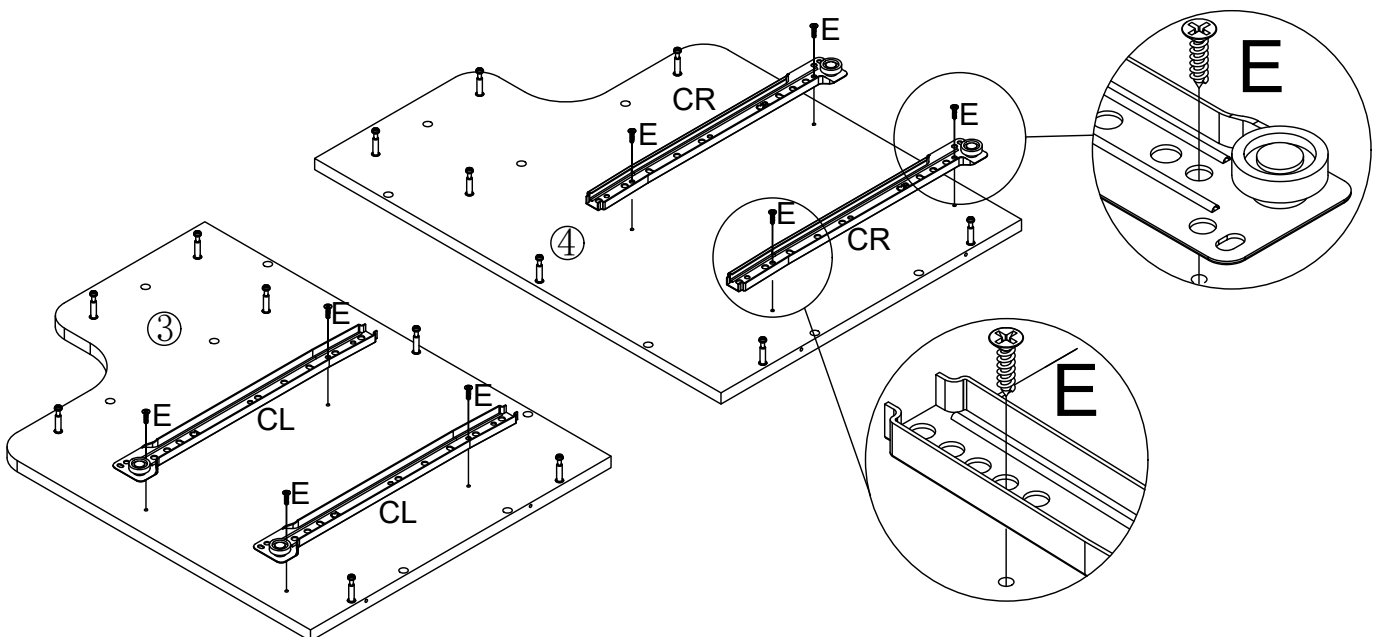
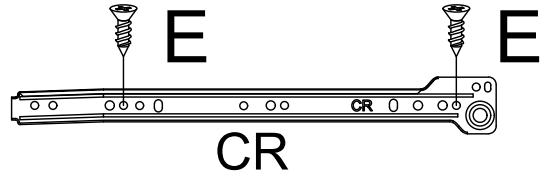
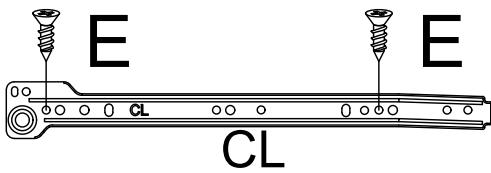
Step 1

A	×14
	


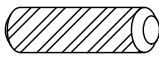
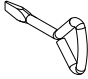


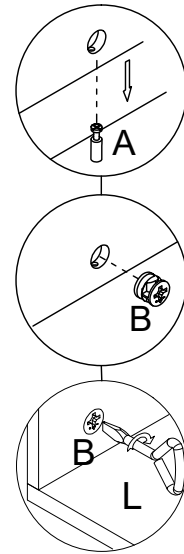
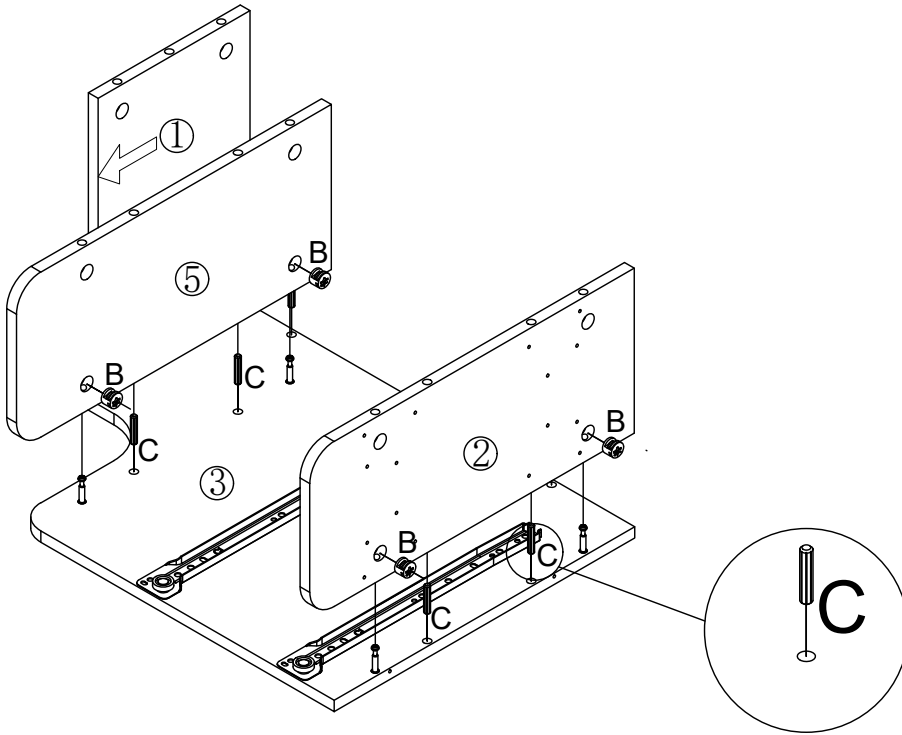
Step 2

E	×8	CR	×2	CL	×2
					




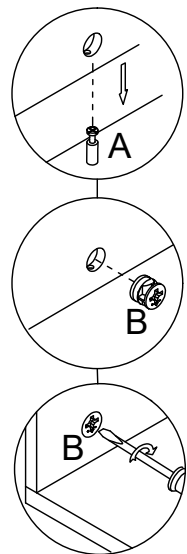
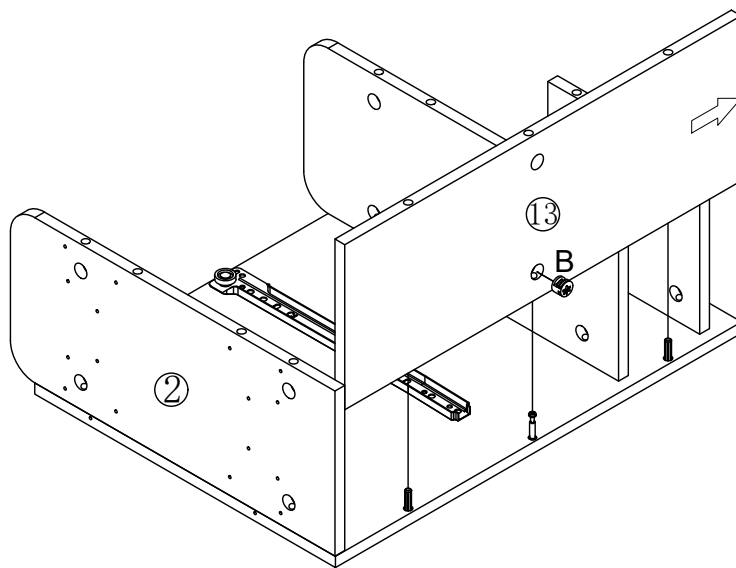
Step 3

B	×6	C	×7	L	×1
					

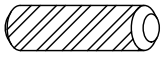


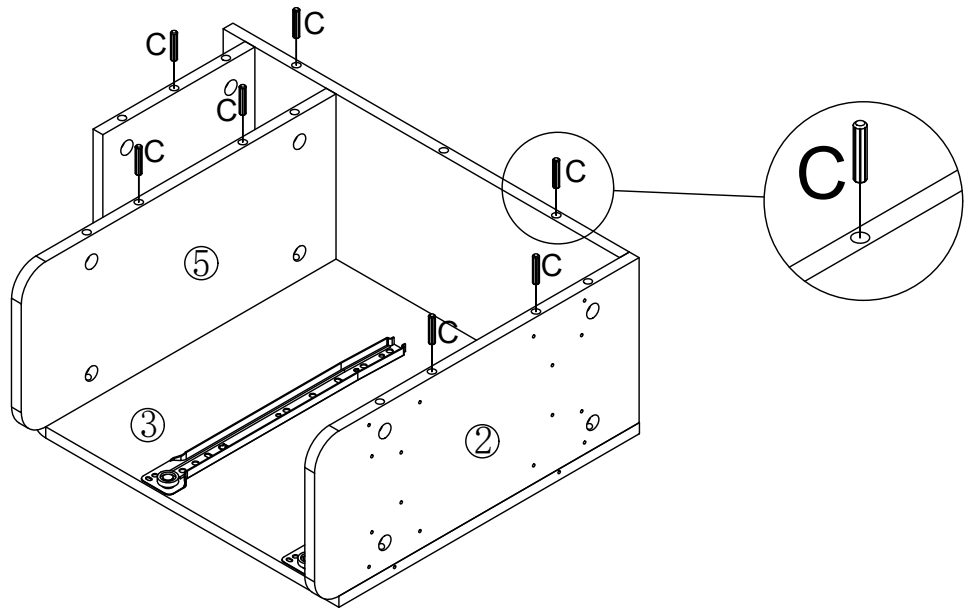
Step 4

B	×1
	

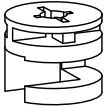
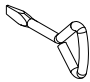


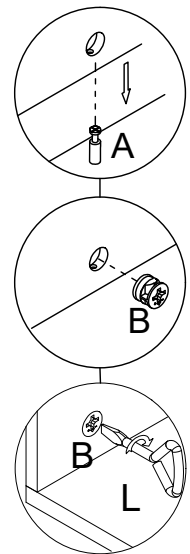
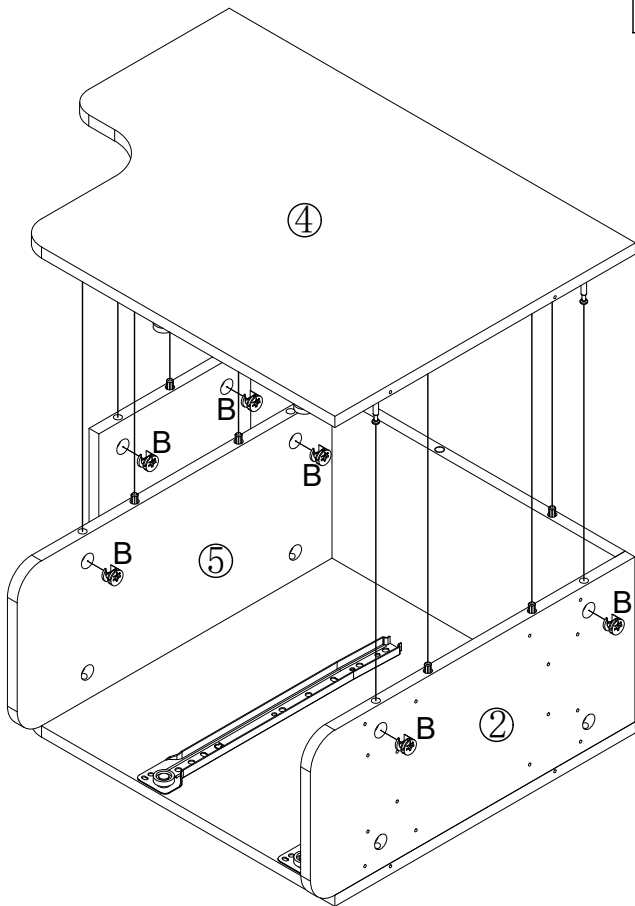
Step 5

C	×7
	

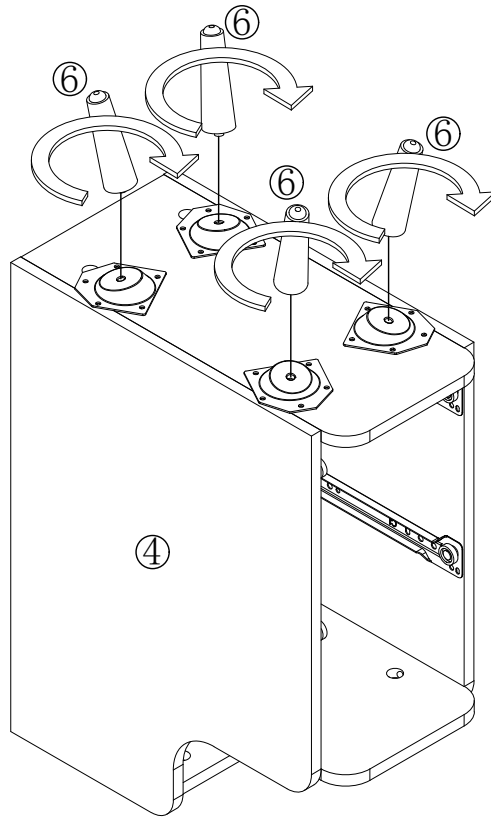


Step 6

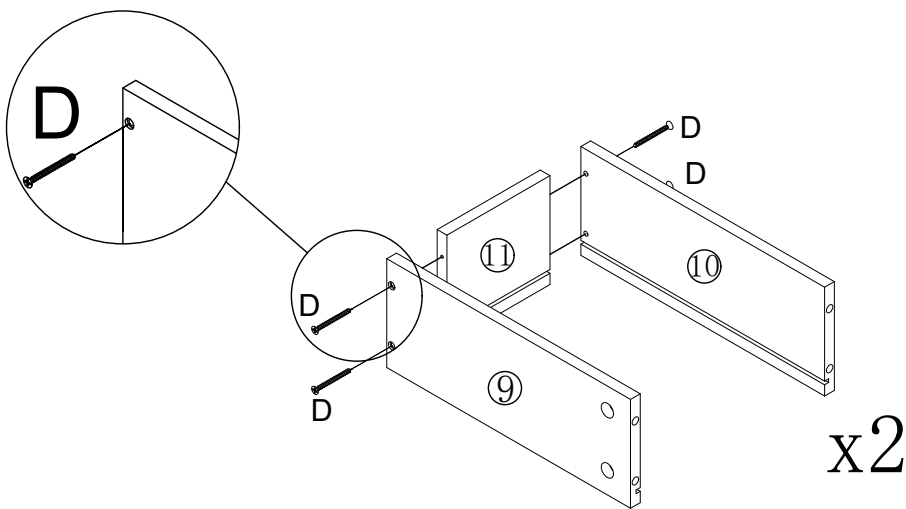
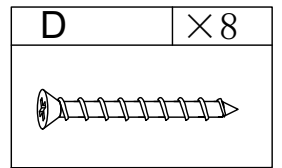
B	×7	L	×1
			



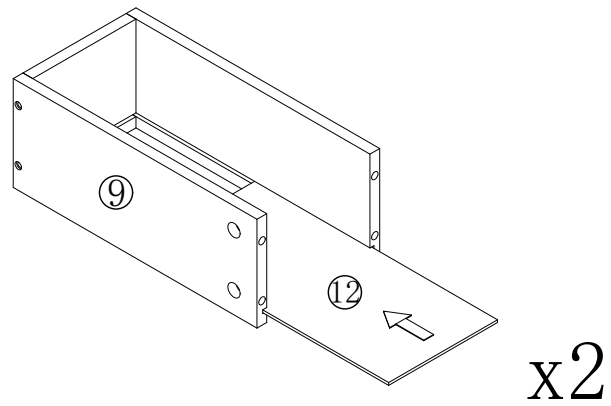
Step 9



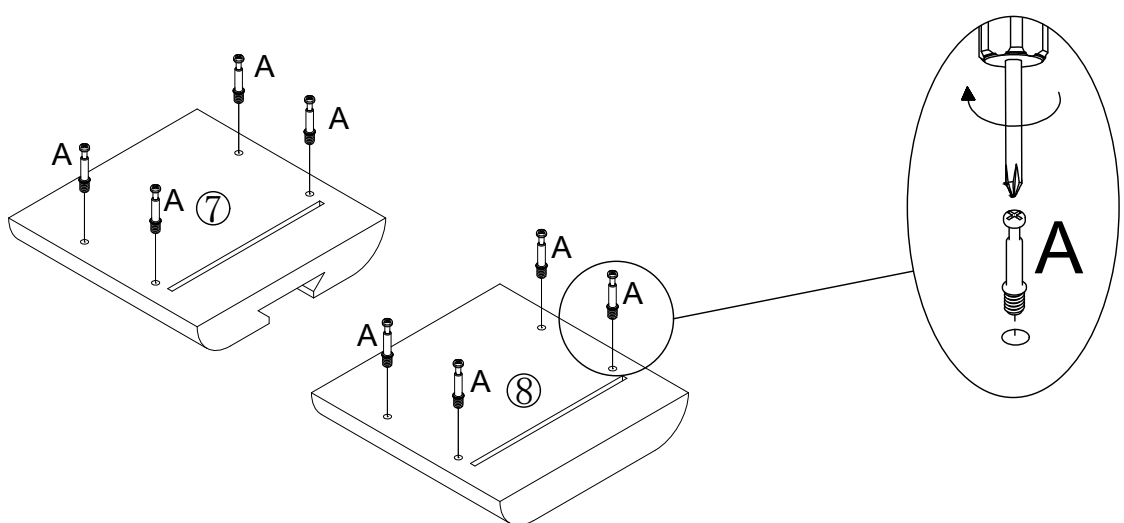
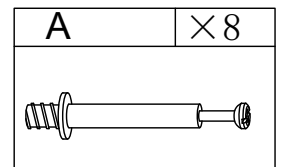
Step 10





Step 11

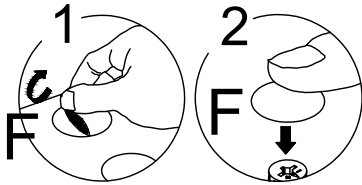
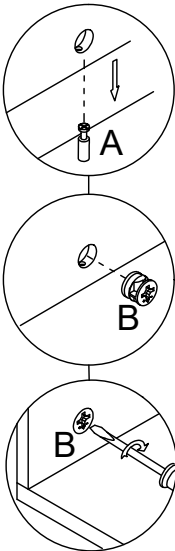
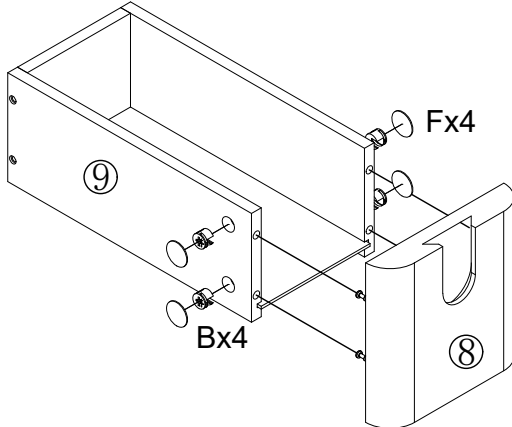
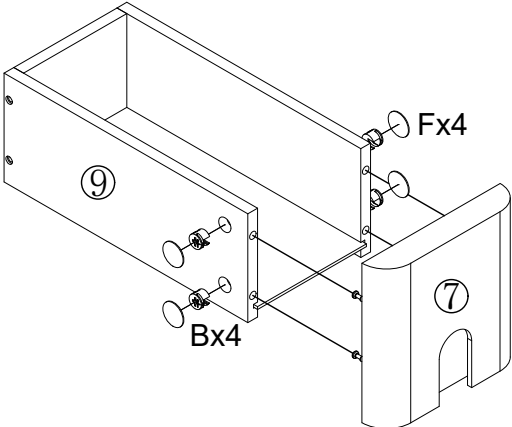


Step 12


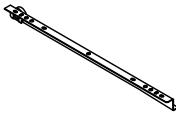
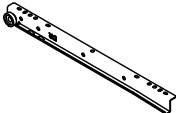


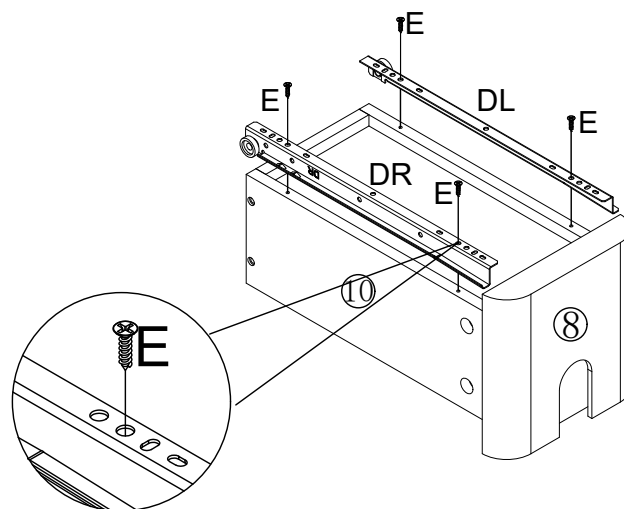
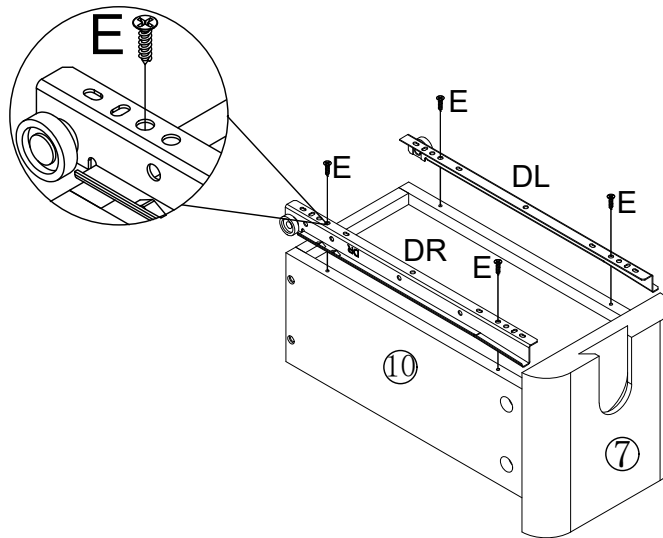
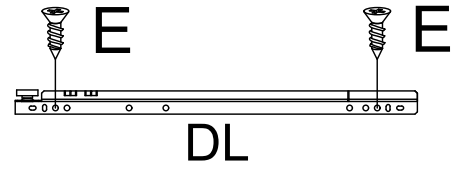
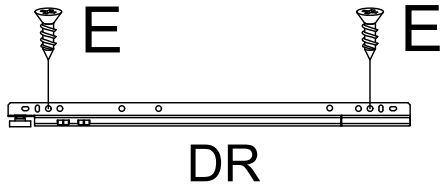
Step 13

B	×8	F	×8
			

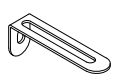
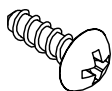


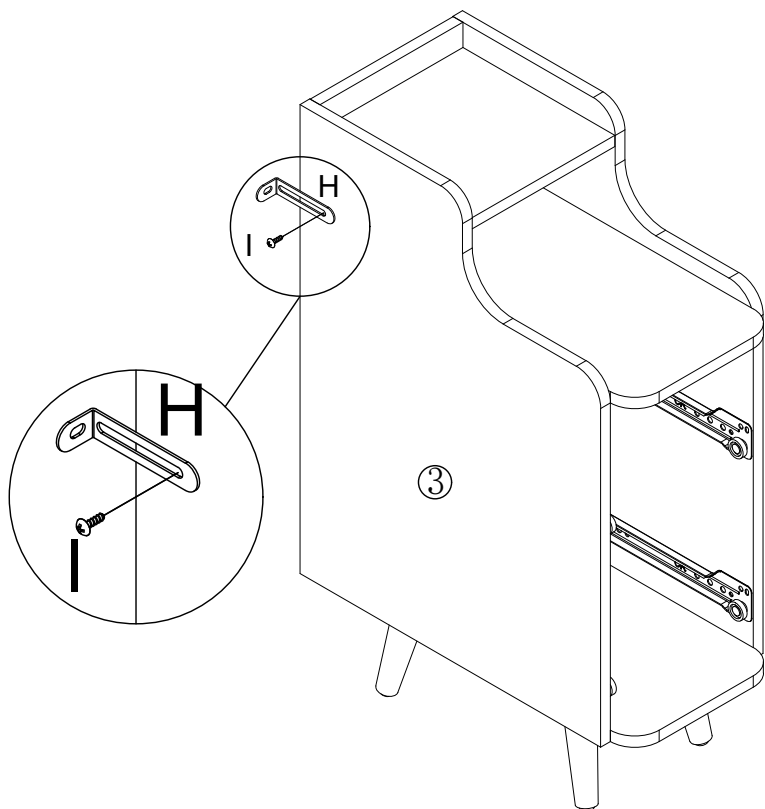
Step 14

E	×8	DL	×2	DR	×2
					

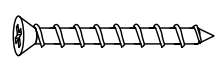



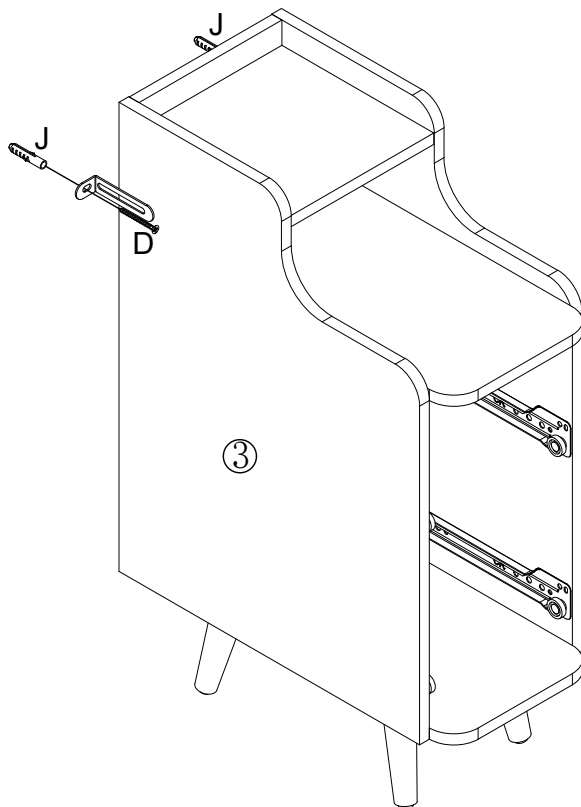
Step 15

H	×2	I	×2
			

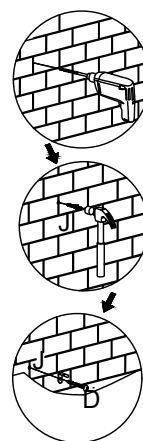


Step 16

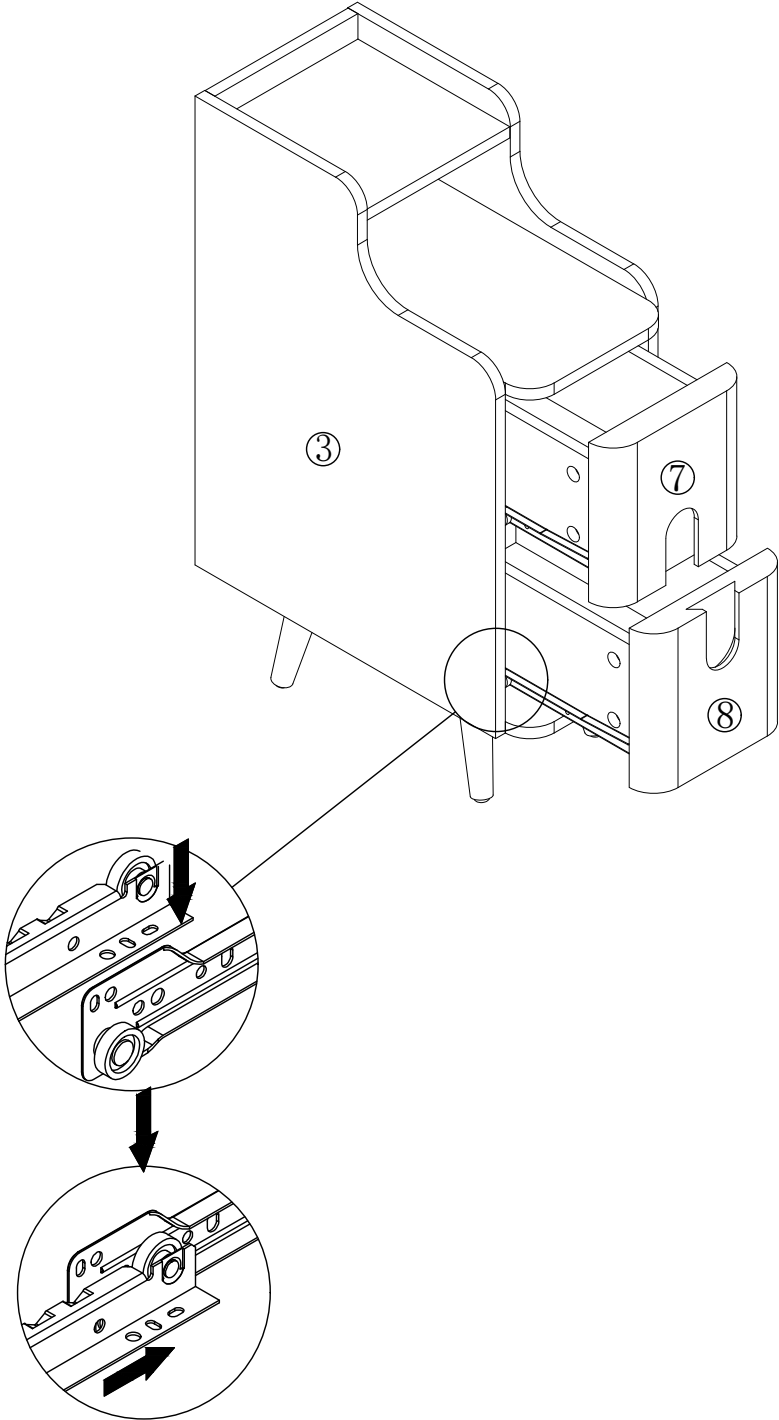
D	×2	J	×2
			



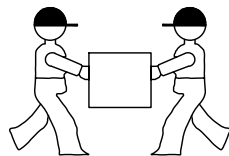
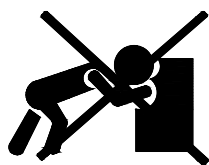
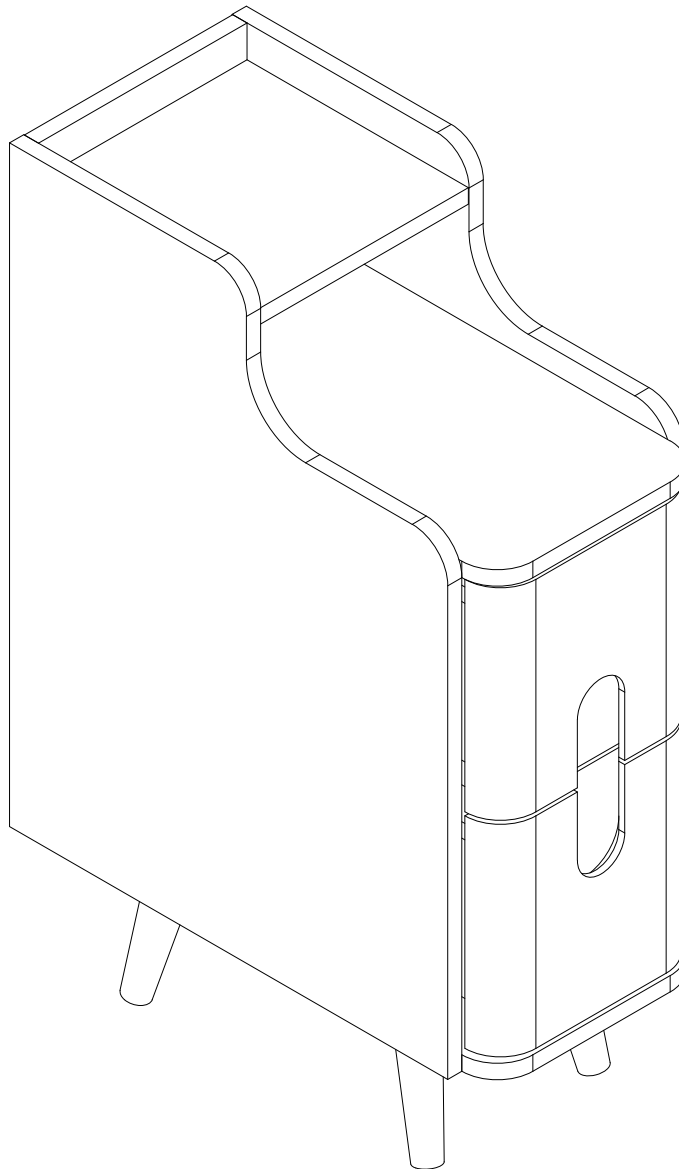
drill hole in wall



Step 17



Step 18



Two people work together to move the table.
Make sure you lift it off the ground.
Don't push and pull.