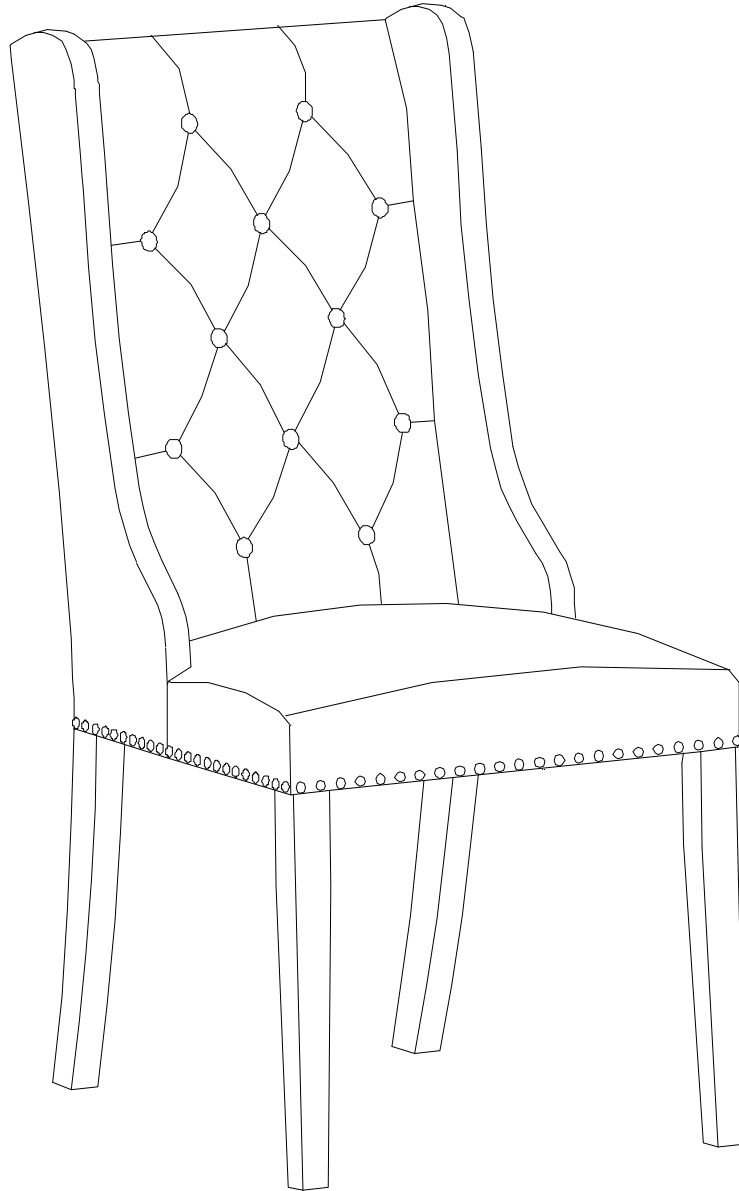


ASSEMBLY INSTRUCTIONS



Description : CHAIR
Product Dimension : 20.5"Wx26.5"Dx38"H
Cube Size : 40.5"x22"x20.2"

NW: 48.4 LBS
GW: 57.2 LBS

BEFORE ASSEMBLY

Thank you for purchasing our product. This product has been designed for easy assembly and long lasting use. Please take the time to read and follow the assembly instructions carefully

Be sure to check all packing material carefully for small parts which may have come loose inside the carton during shipment. Please separate, identify, and count all parts and metal hardware. Compare with part list to be sure all parts are present. If hardware is missing or you have difficulty assembling this product, please call for us.

IMPORTANT NOTE:

- Place all wooden parts on a clean and smooth surface such as a rug or carpet to avoid the parts from being scratched.
- Remove all wrapping material, including staples & packing straps before you start to assemble.
- DO NOT tighten all screws and bolts until completely assembled.
- Keep all hardware parts out of reach of children.

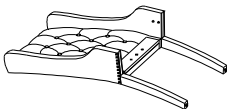
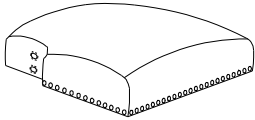
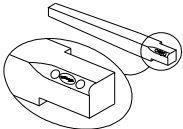
ASSEMBLY TOOLS REQUIRED

NOT INCLUDED



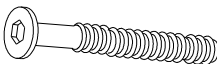




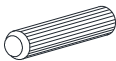
PART LIST

When unpacking, please be careful not to discard any parts with the packaging. Before continuing, please make sure you have the following parts:

| NO | Description | Qty | Sketch | NO | Description | Qty | Sketch |
|----|-------------|-----|---|----|-------------|-----|---|
| A | Chair back | 1 |  | B | Seat Frame | 1 |  |
| C | Front Leg | 2 |  | | | | |

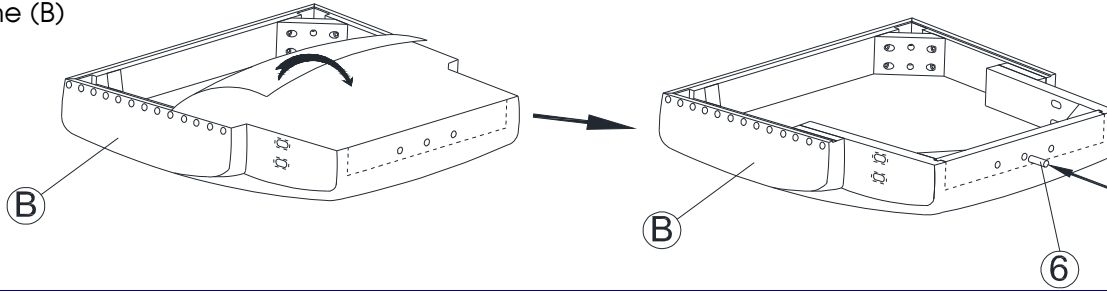
HARDWARE LIST

When unpacking, please be careful not to discard any parts with the packaging. Before continuing, please make sure you have all of the following hardware:

| NO | Description | Qty | Sketch | NO | Description | Qty | Sketch |
|----|----------------------|-----|---|----|-----------------------|-----|---|
| 1 | Long bolt (M6x60mm) | 8 |  | 2 | Short bolt (M6x38mm) | 2 |  |
| 3 | Lock Washer (Ø6.5x9) | 10 |  | 4 | Flat Washer (Ø6.5x19) | 10 |  |
| 5 | Allen Key (4mm) | 1 |  | 6 | Dowel (Ø10x30) | 1 |  |

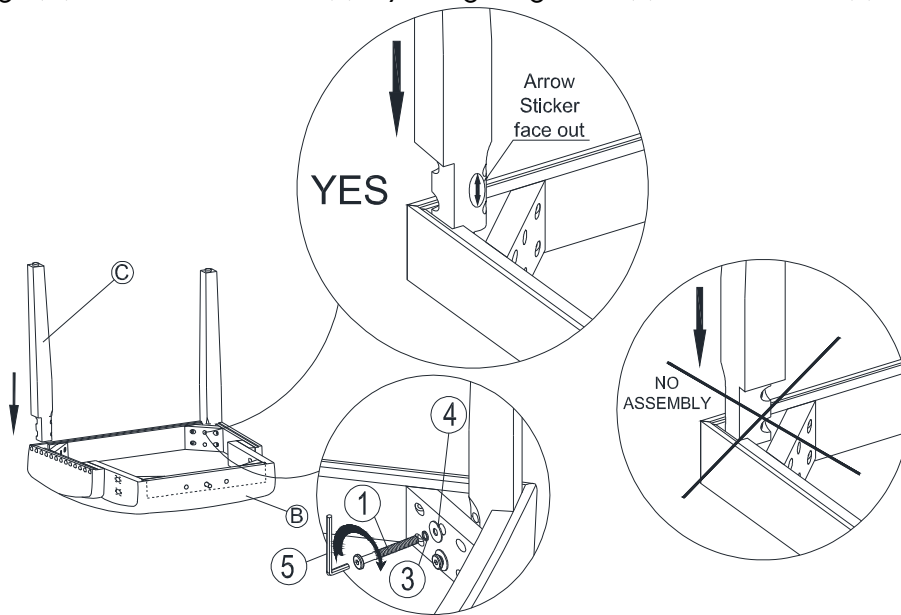
STEP 1

Remove the bottom cover out of the seat frame (B) as shown below. Then attaching Dowel (6) to seat frame (B)



STEP 2

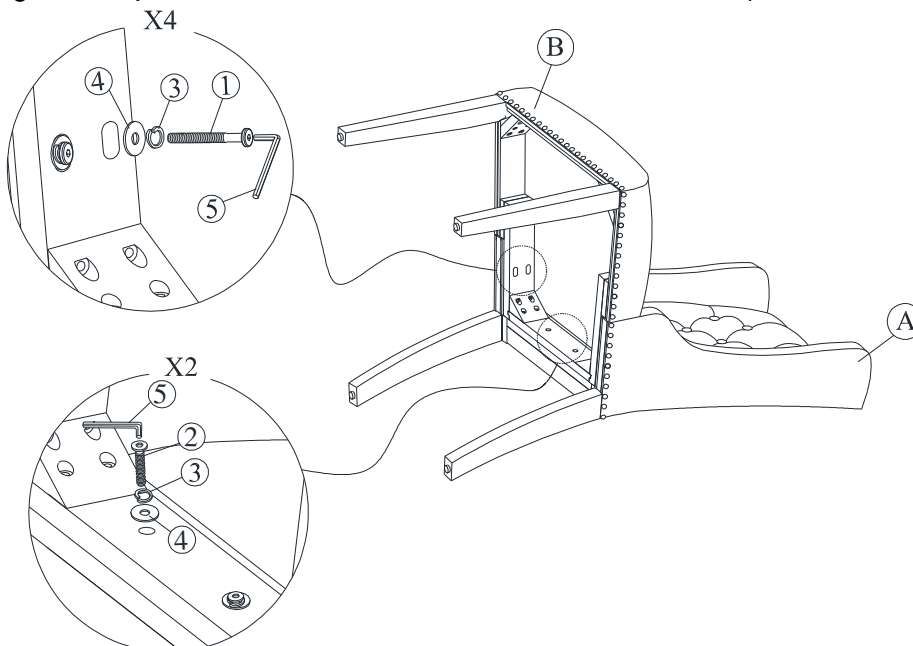
Attach front legs (C) to the seat frame (B) by using long bolts (1) and washers (3) and (4). Tighten with Allen Key (5).



STEP 3

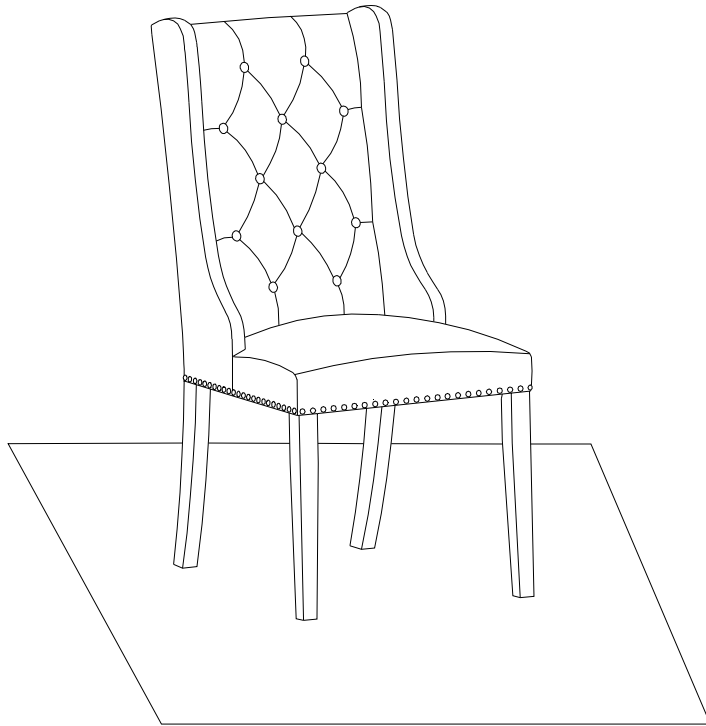
Attach Seat frame (B) to the Chair back (A) by using long bolts (1) and short bolt (2), washers (3) and (4). Tighten with Allen Key (5).

Note: DO NOT tighten any of the bolts until the chair assembled with all parts



STEP 4

Put the chair on a flat level surface to make sure the chair is level and then tighten the all bolts.



STEP 5

Attach the bottom cover (removed on step 1) back on the seat frame and finish the assembly.

