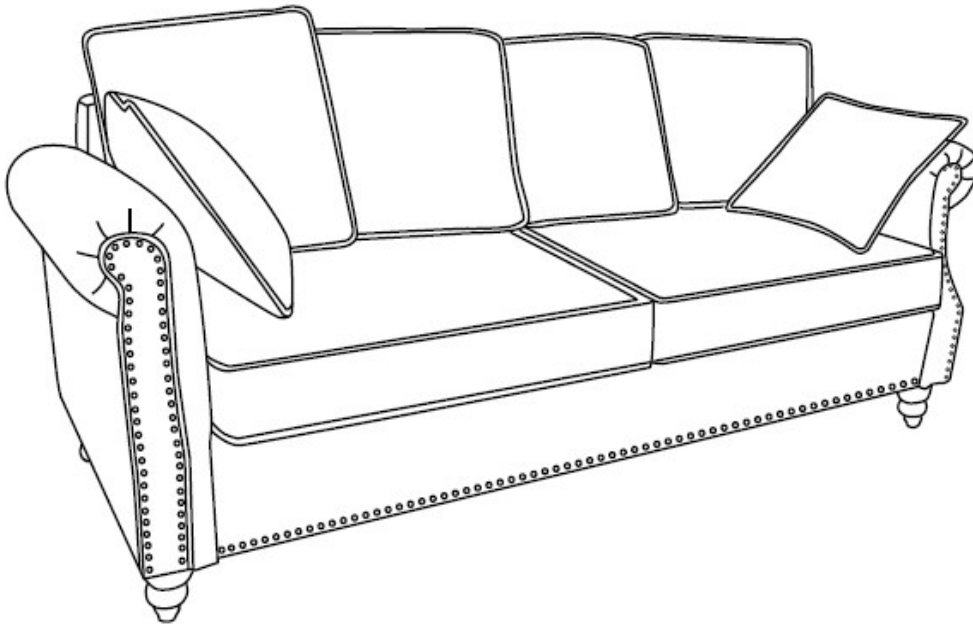


Assembly Instructions

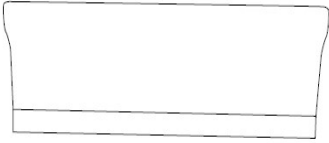
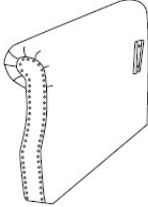
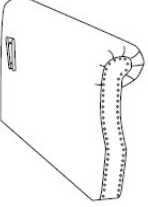


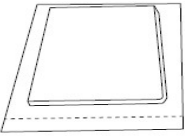



Caution: You must read this before you proceed

Please look in the magic tape pouch for hardware packs and legs



SOFA



Part List

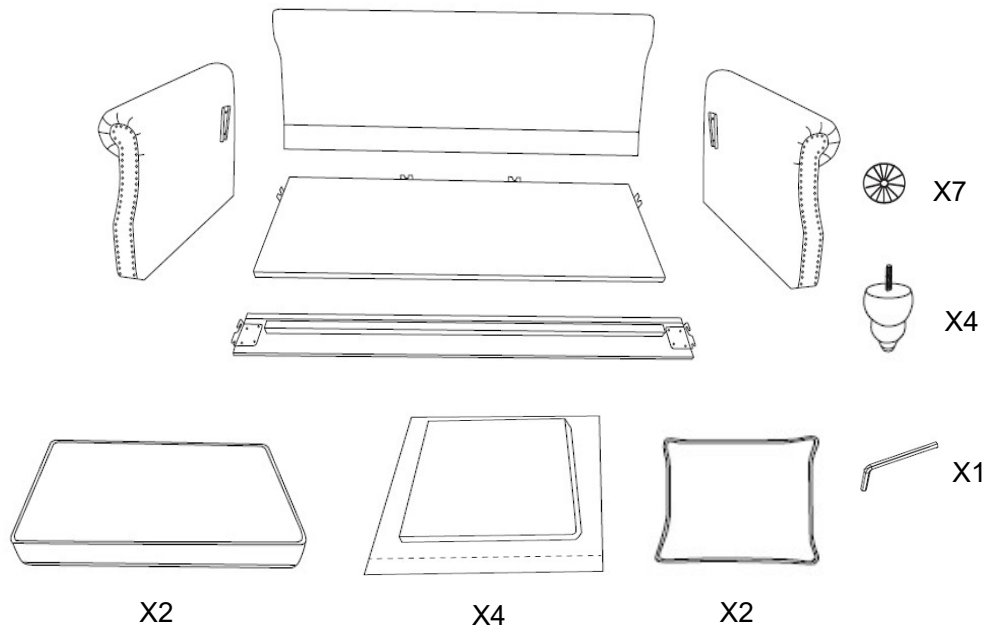
Label	Picture	Description	QTY
A		Backrest	1
B		Left Armrest	1
C		Right Armrest	1
D		Seat	1
E		Front Rail	1
F		Back Cushion (package)	4
G		Seat Cushion	2
H		Arm Pillow	2
I		Leg	4

Hardware List

Label	Picture	Description	QTY
①		Plastic Washer	7
②		Allen Wrench	1

Assembly Preparation

Before Beginning Assembly:



- Read instructions, cover to cover-



- Have 2 adults on hand for assembly-



- Do not assemble on flooring or carpet-



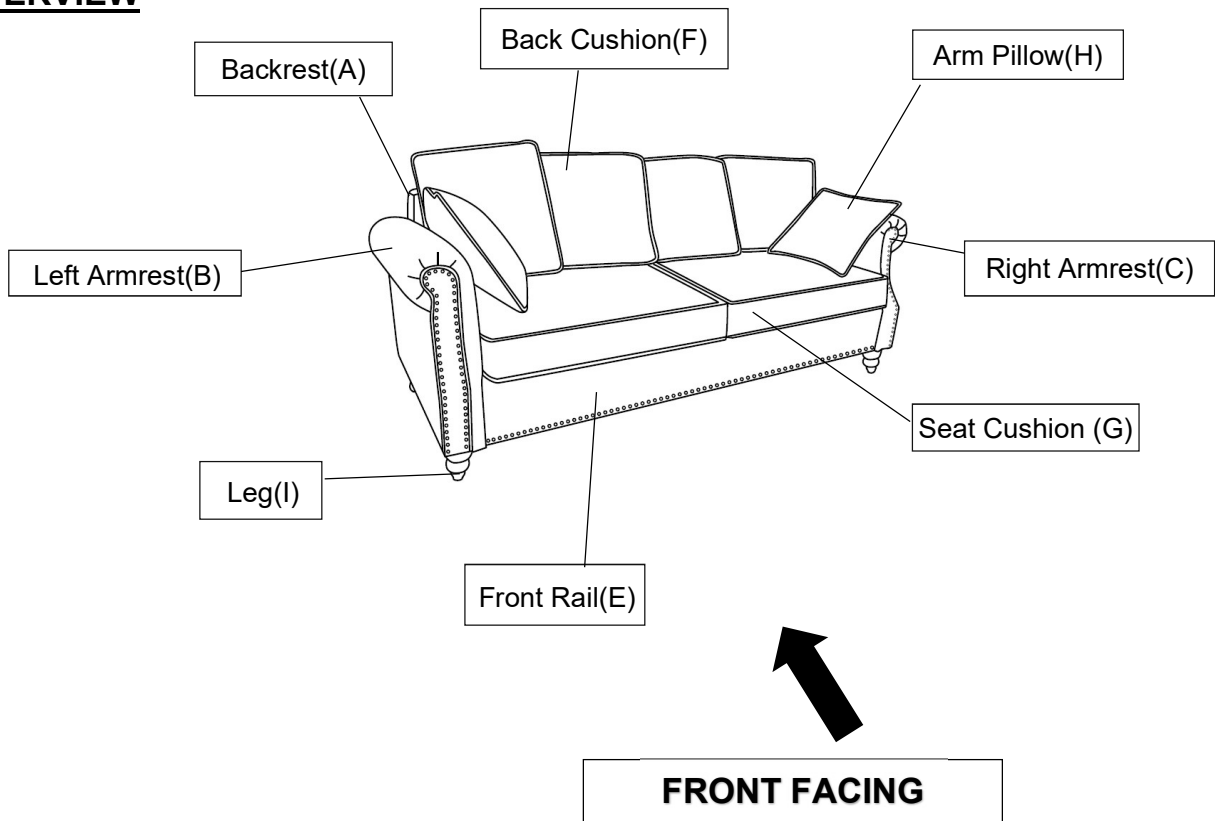
- Assemble on a clean non-marring surface (packing foam)-



- Save all packaging until finished-

Assembly Steps

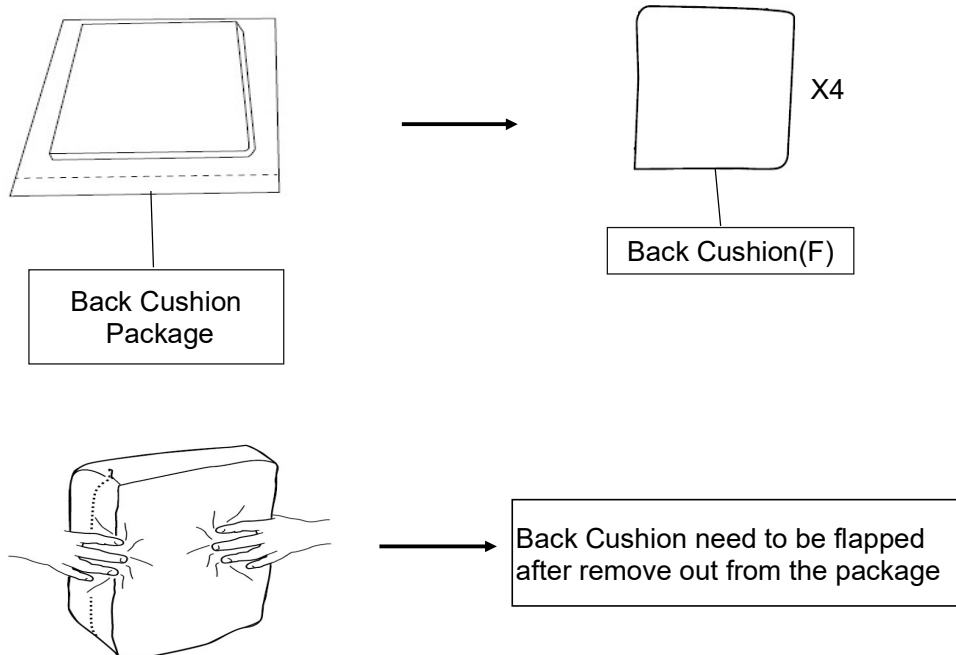
OVERVIEW



This Sofa has multiple parts and may require up to 60 minutes to assemble. To give you an overview of the Sofa parts, the above picture is to help you put the various parts into perspective. Please read through the instructions below to familiarise yourself with the parts and steps before assembly.

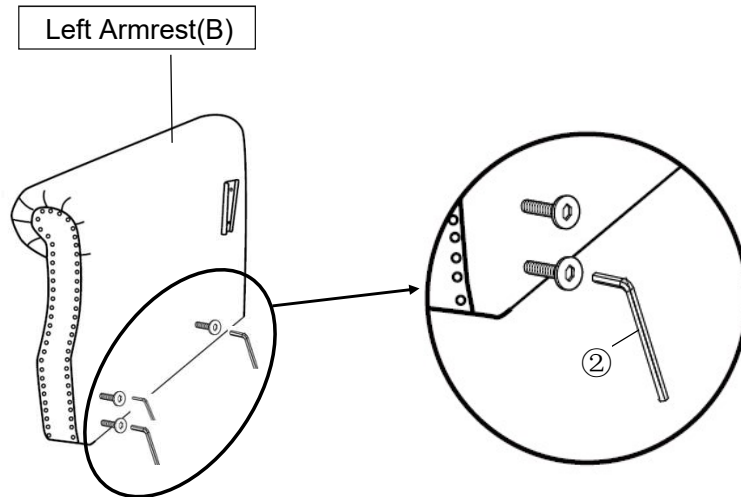
Note: It is recommended that you have an adult partner to assist during the entire assembly process.

Step 1



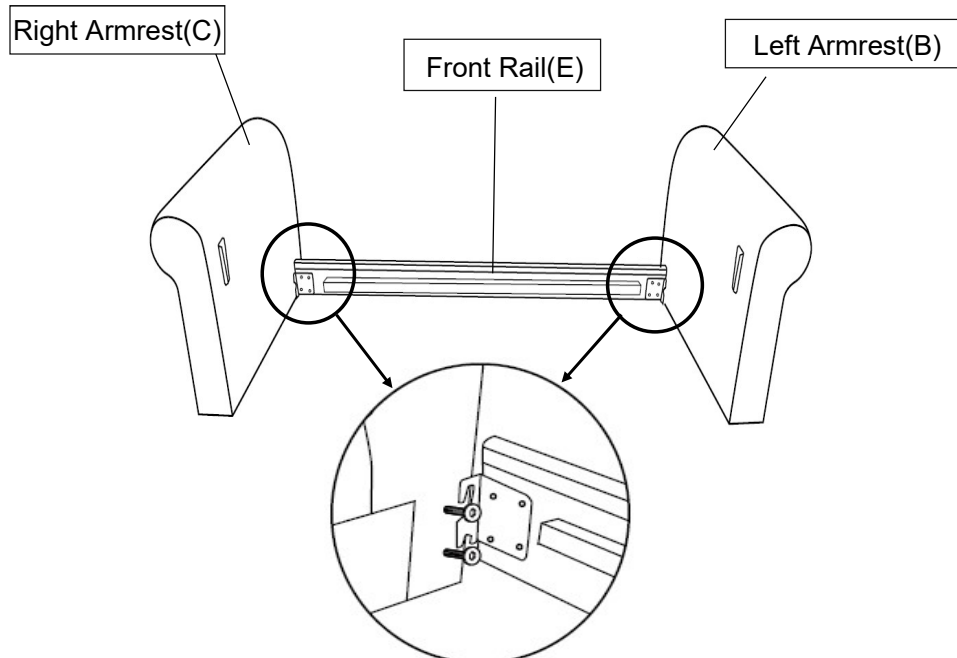
Open the carton and place all parts on a clean non-marring surface.
Open the Back Cushion(F) Package as shown.
Remove the 4 Back Cushions(F) from the package as shown above.

Step 2



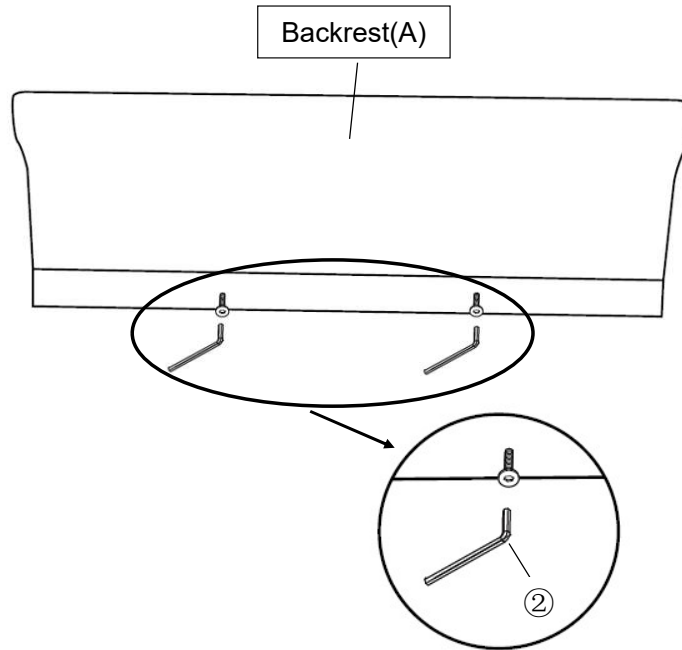
Loosen the 3 bolts in the Left Armrest(B) around 0.5 inches (half an inch) using the Allen Wrench(2).
Repeat the same step to loosen the 3 bolts in the Right Armrest(C).

Step 3



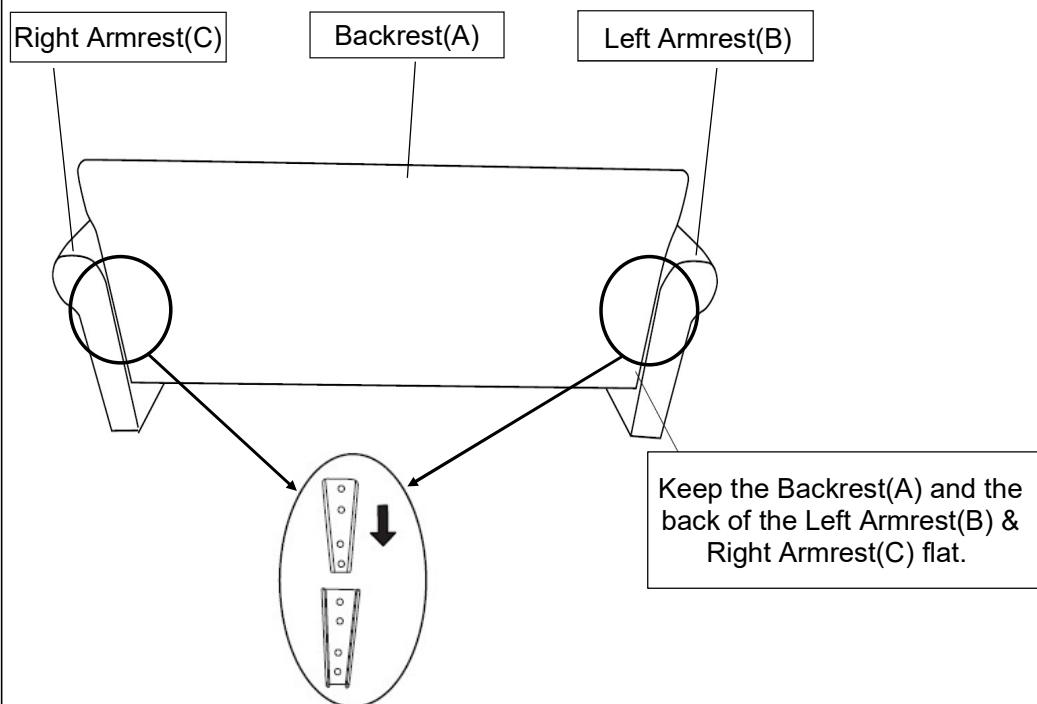
With the assistance of an adult partner, slide the hook on the end of the Front Rail(E) into the bolts on the Left Armrest(B) and Right Armrest(C), as shown in the above picture.

Step 4



Loosen the 2 bolts in the Backrest(A) around 0.5inches (half an inch) using the Allen Wrench(Ⓢ).

Step 5



Slide the Tapered Connectors on the Backrest(A) into the Tapered Connectors on the Left Armrest(B) and Right Armrest(C) as shown in the above picture.

Note: Make sure the Tapered Connectors on the Backrest(A) lock into the Tapered Connectors on the Left Armrest(B) and Right Armrest(C).

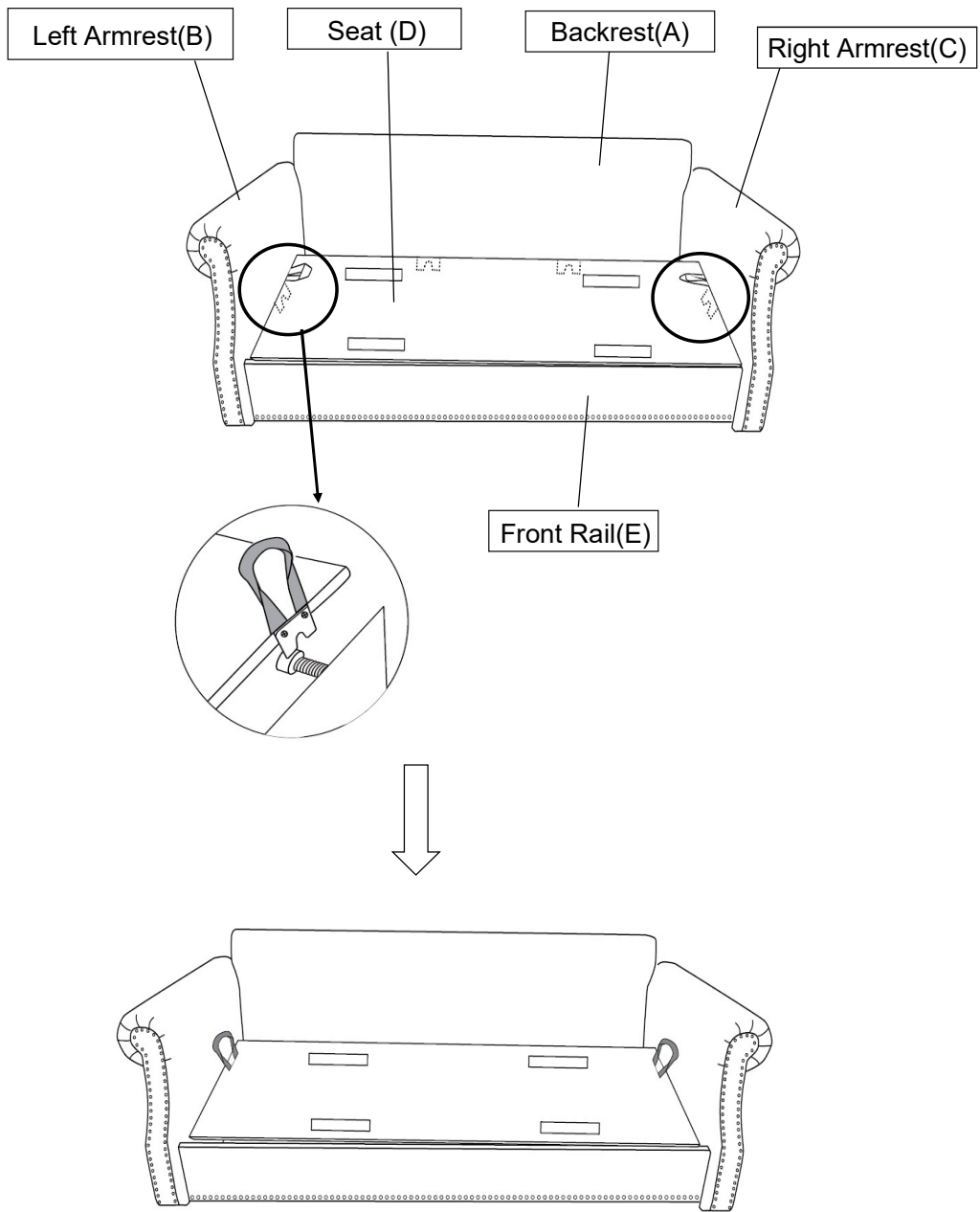
Keep the Backrest(A) and the back of the Left Armrest(B), Right Armrest(C) flat.

Assistance from an adult partner is necessary for this assembly process.

During this assembly process - do exercise caution. You may need to use your hand to press down and or pave away the padded surface to facilitate the 'slip and slide' assembly.

Caution: Ensure that your fingers do not get caught or pinched in the assembly process.

Step 6

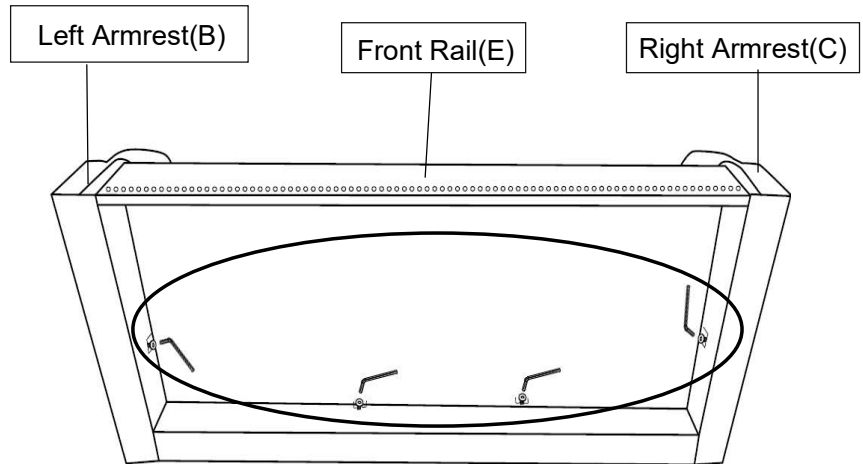


With the assistance of your adult partner, lift the rope on the two sides of the Seat(D) by hand. Position the Seat(D) onto the wooden bar of the Front Rail(E) and then slowly place it down as shown above.

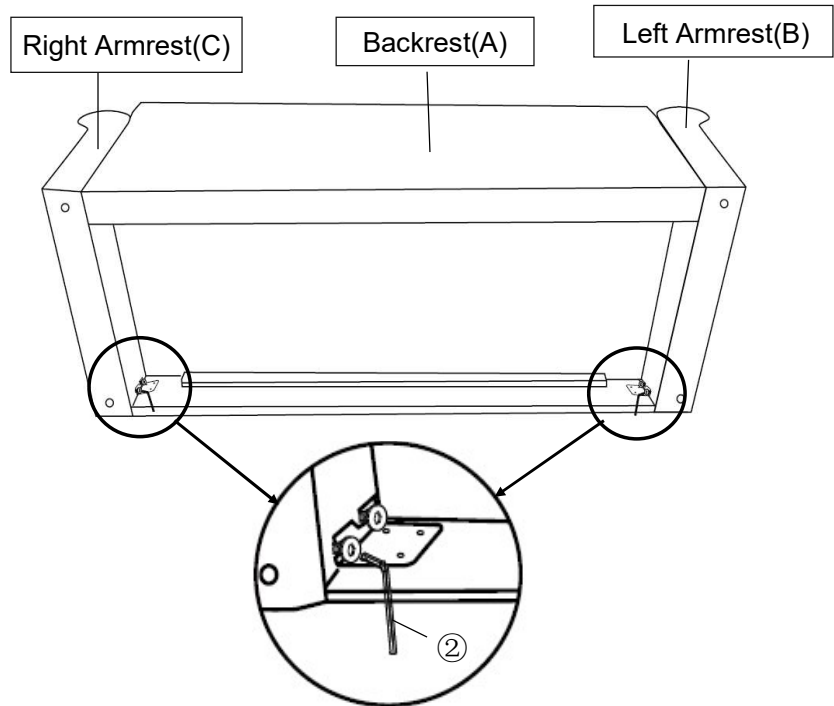
Note: All the u-shaped iron sheets should clamp onto the bolts.

Step 7

Step 7.1



Step 7.2

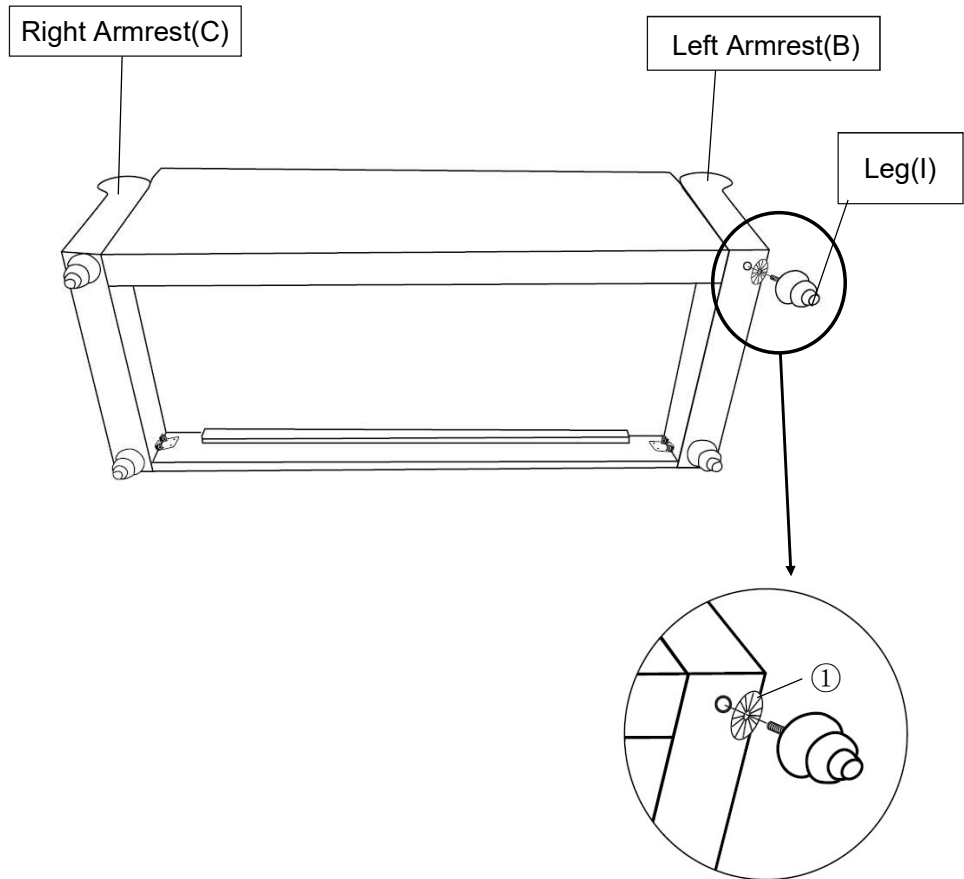


Step7.1 Position the sofa backrest down as shown in figure 7.1, then proceed to tighten the Bolts in the bottom of the Left Armrest(B) and Right Armrest(C) using the Allen Wrench(②).

Step7.2 Position the sofa backrest up as shown in figure 7.2, then proceed to tighten the Bolts in the bottom of the Left Armrest(B) and Right Armrest(C) using the Allen Wrench(②).

Tighten all the Bolts fully in a sequential manner.

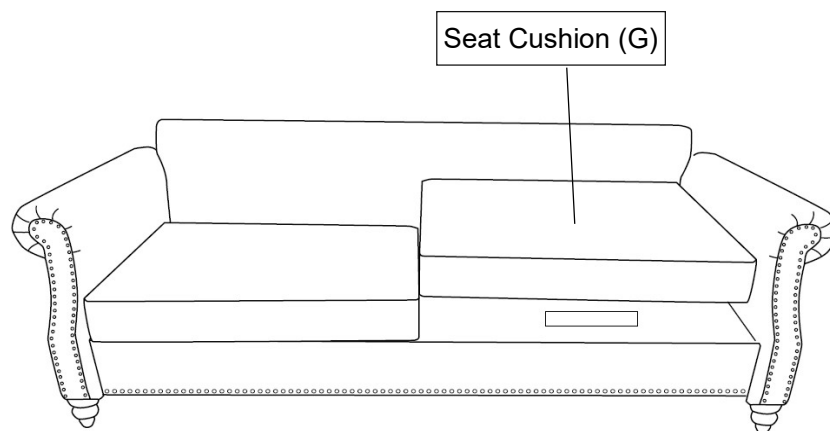
Step 8



Install the Leg(I) into the Left Armrest(B) using a Plastic Washer(①) on the threaded stem, then inserting the threaded stem into the threaded mounting position on the bottom of the Left Armrest(B) and turning clockwise until tight. Repeat the same step with the remaining Legs(I).

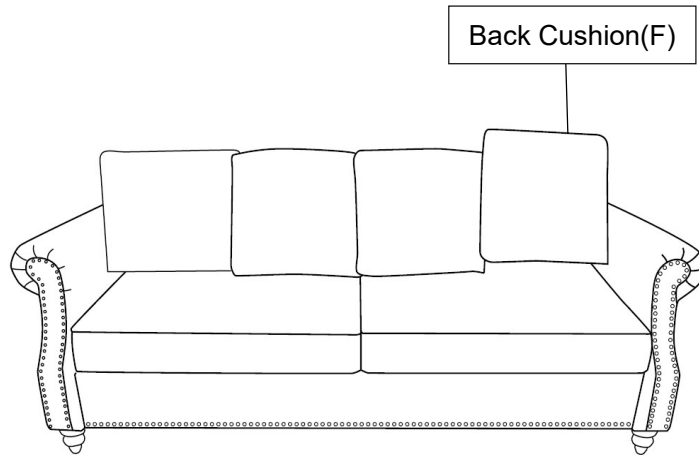
Note: The use of Plastic Washers(①) are OPTIONAL and are especially useful to help alleviate slight wobbleness. Some Legs may need more than one Plastic Washer(①) whilst some Legs may not need any.

Step 9



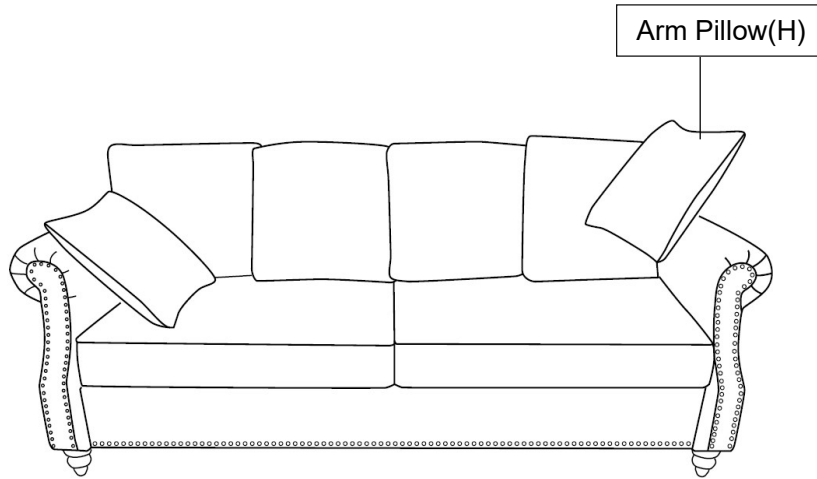
Place the Seat Cushions (G) onto the sofa as shown above.

Step 10



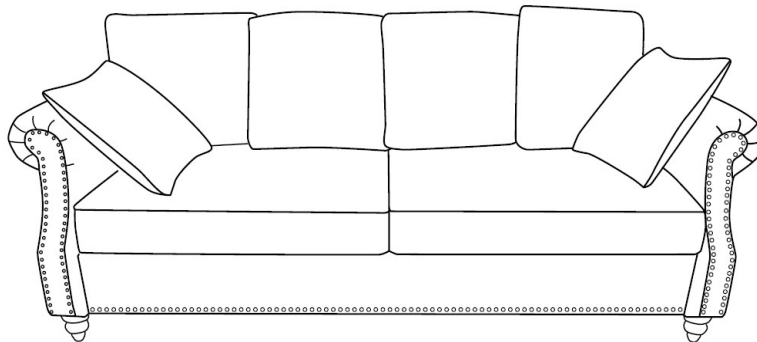
Place the Back Cushions(F) on the sofa as shown above.

Step 11



Place the Arm Pillows(H) on the sofa.

Step 12



Your Sofa is ready for use.
This Sofa can only be used on a flat, level surface.

Care & Maintenance



- Furniture may scratch floors. We recommend using furniture pads to protect your floors.



- Do not put hot items directly on furniture surface.



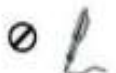
- Do not clean furniture with harsh cleansers or polish.



- Do not place furniture under direct sunlight.



- Do not place furniture near heating or cooling vents.



- Do not write on furniture without a padded barrier to protect the surface.



- Do not place furniture outside . For indoor use only.



- Not for commercial use. For residential use only.



- Stains may be removed with mild soap solution and damp cloth.



- Children should not climb or jump on the furniture.



- Dust and pick-up spills using a clean, non-colored, lint-free cloth.