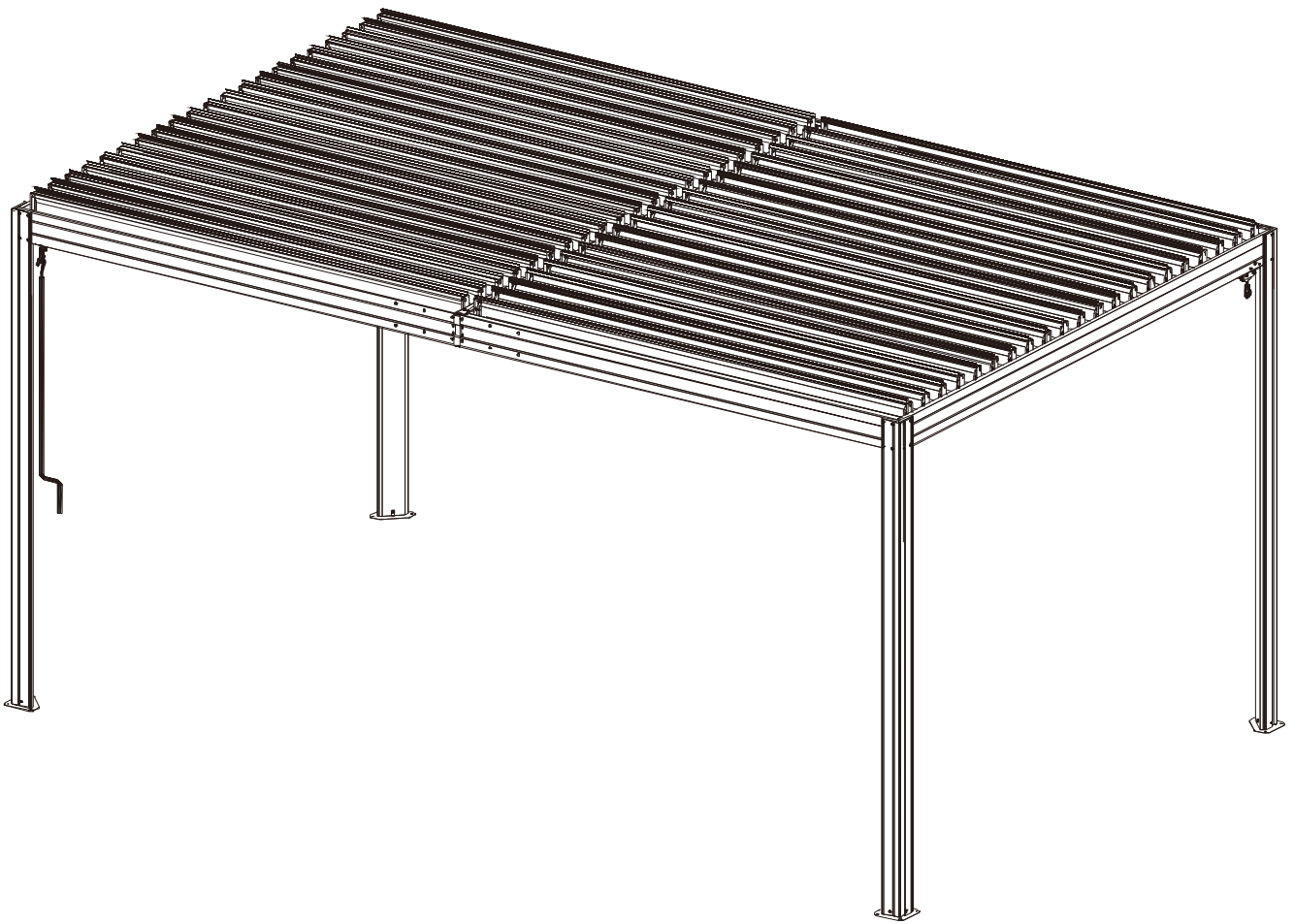


# 10' × 13' LOUVERED PERGOLA ASSEMBLY MANUAL



**MODEL#: LGMF1660C**

Missing part? Damaged? Contact us via email at

[service@domioutdoorliving.com](mailto:service@domioutdoorliving.com)

[www.domioutdoorliving.com](http://www.domioutdoorliving.com)

# READ ALL INSTRUCTIONS BEFORE USE

## Warning & Attention

-This gazebo is not a toy. Children are not allowed to assemble or disassemble. Please take care of children, do not let them play around when assemble or disassemble.

-Adults only for assemble or disassemble this product.

-This product is constructed with heavy duty frame, please do not lean or climb before it finish assembling.

-Even though our hardtop gazebo is sturdy, please do not stand under the gazebo during a lightning storm.

-DO NOT use this gazebo if any parts show signs of instability or damage.

-Maximum weight capacity is 1000 pounds.

-If moderate to heavy snow is forecast, open the lovers to avoid snow accumulating.



Three or more people are needed for assembly.



Find out and use the hex keys in the box.



One or more ladders are necessary.



A Phillips screwdriver is required.



Please wear protective glove before assembly.



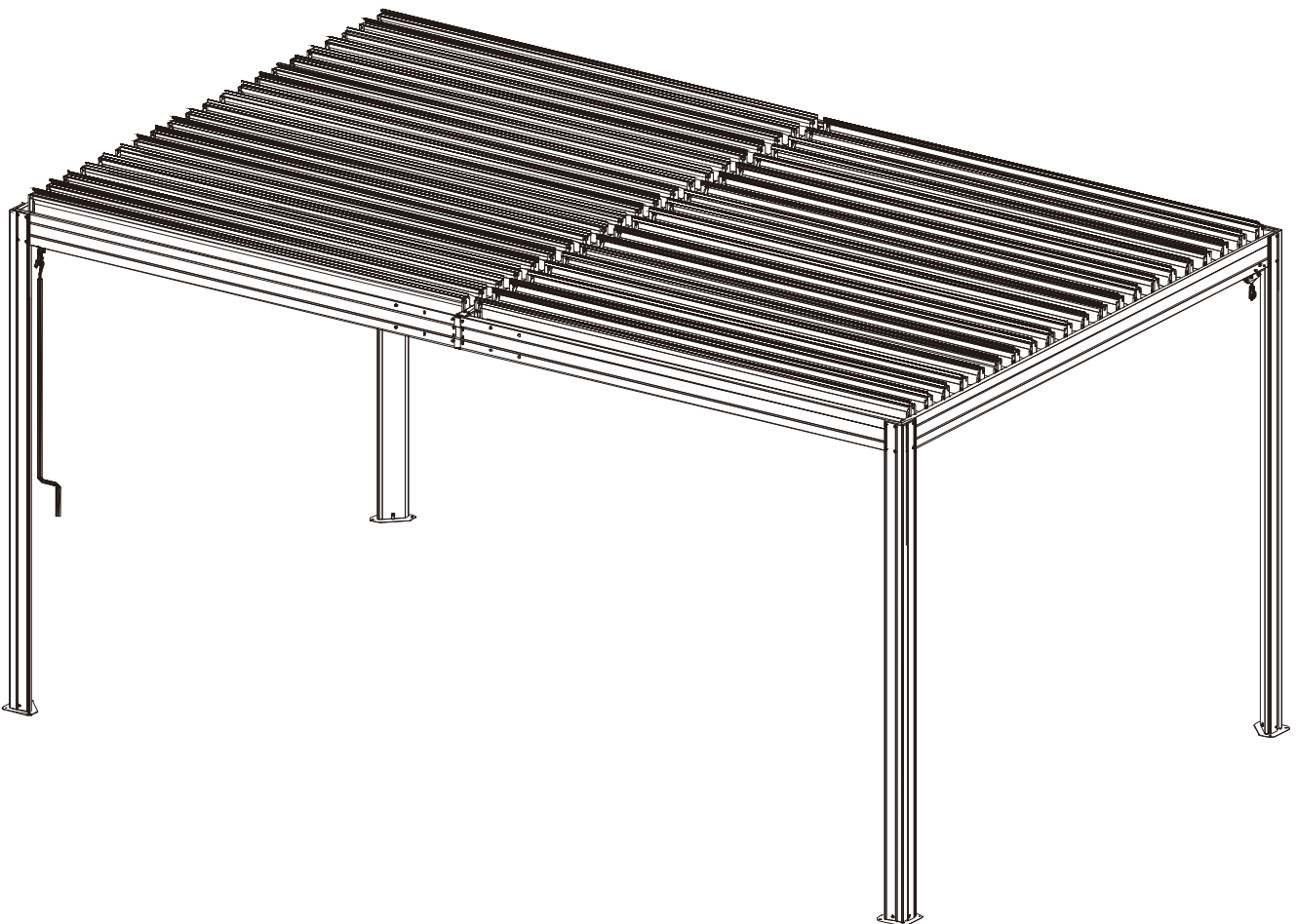
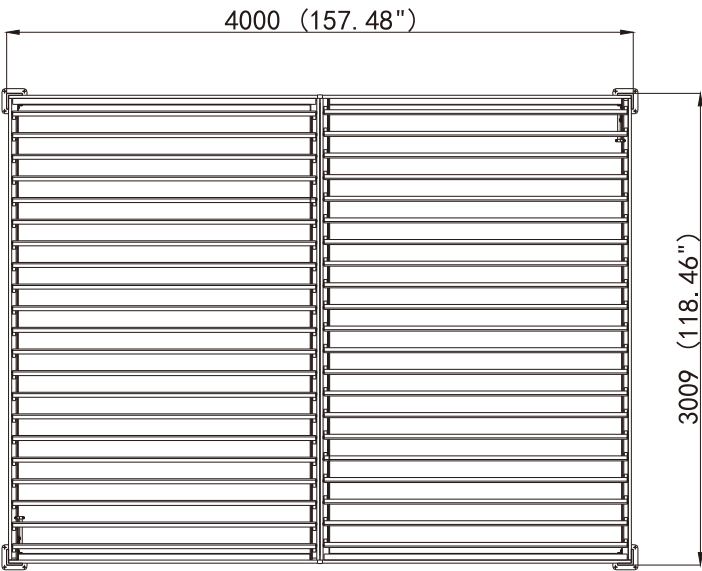
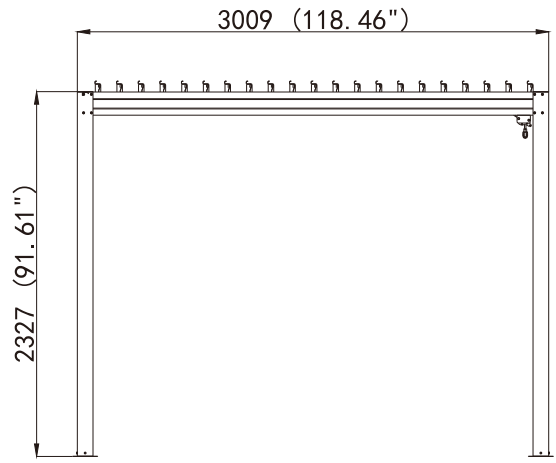
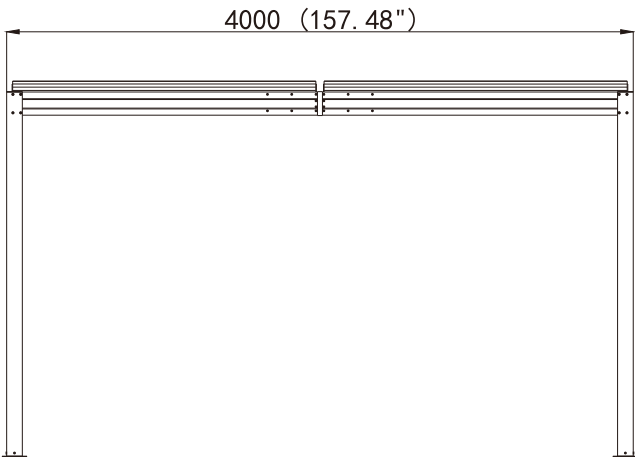
Please don't fully tighten the screws prior to complete assembly.



Please wear a safety hat.



You may need prepare a drill.

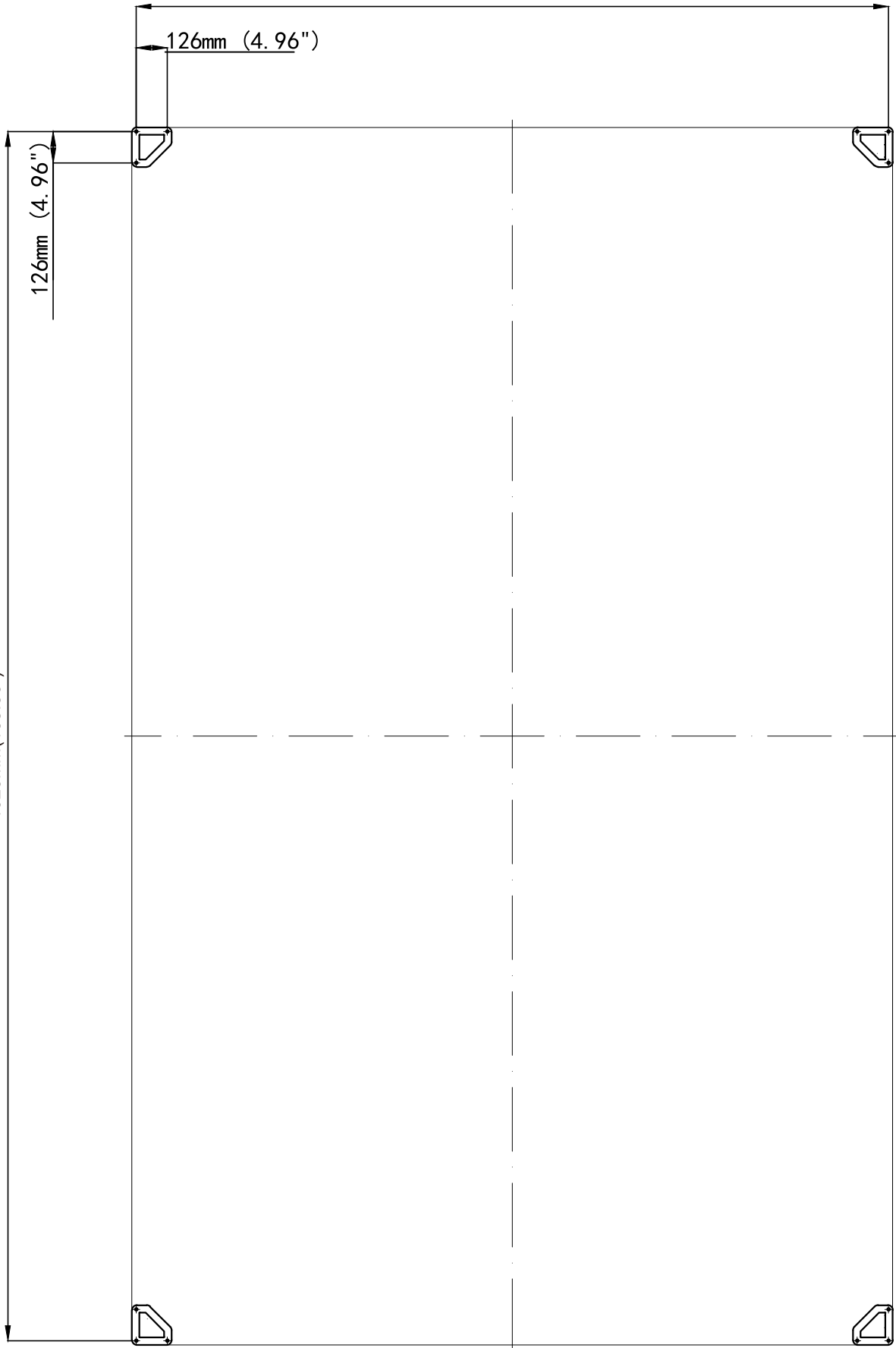


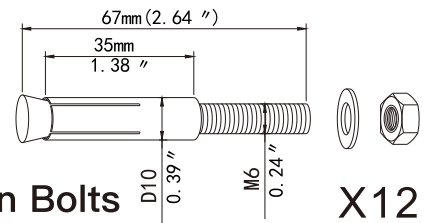
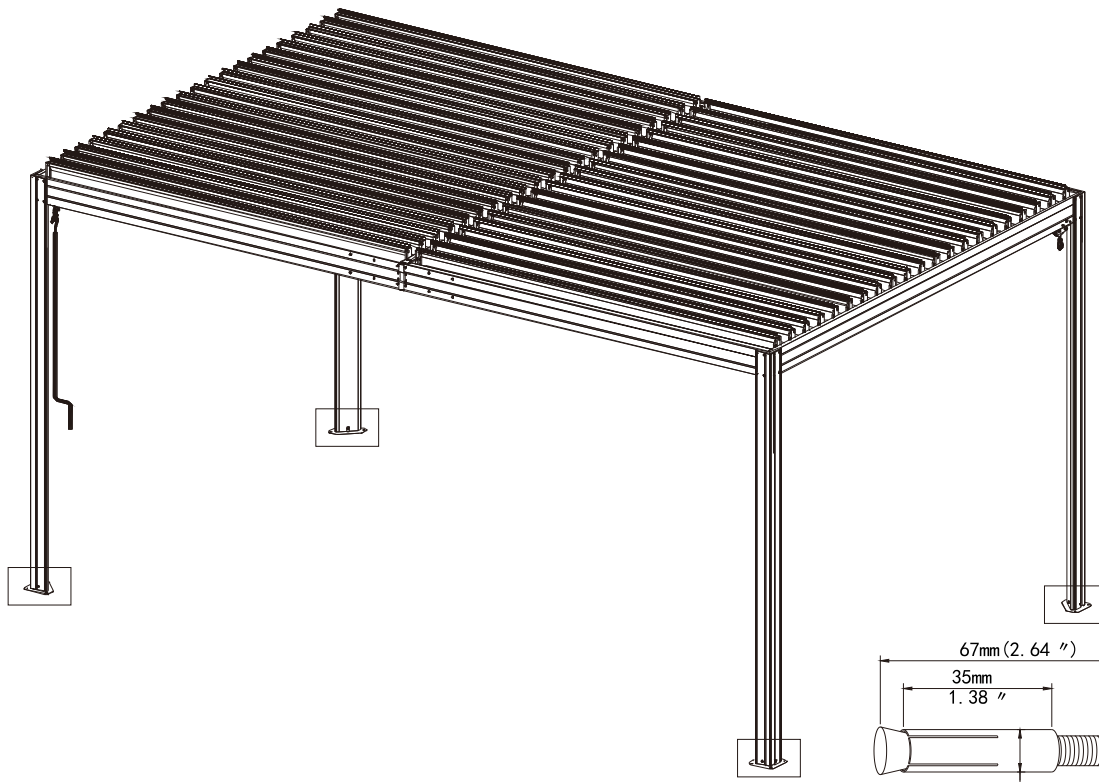
3035mm (119.49")

126mm (4.96")

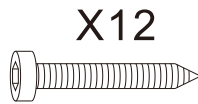
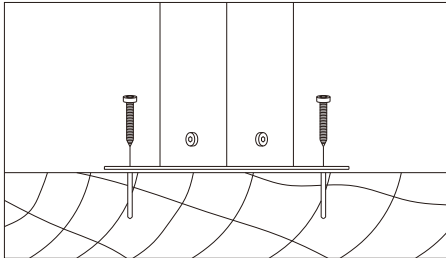
126mm (4.96")

4026mm (158.50")

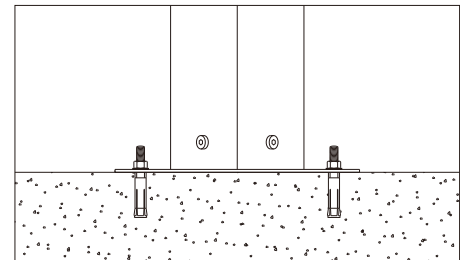




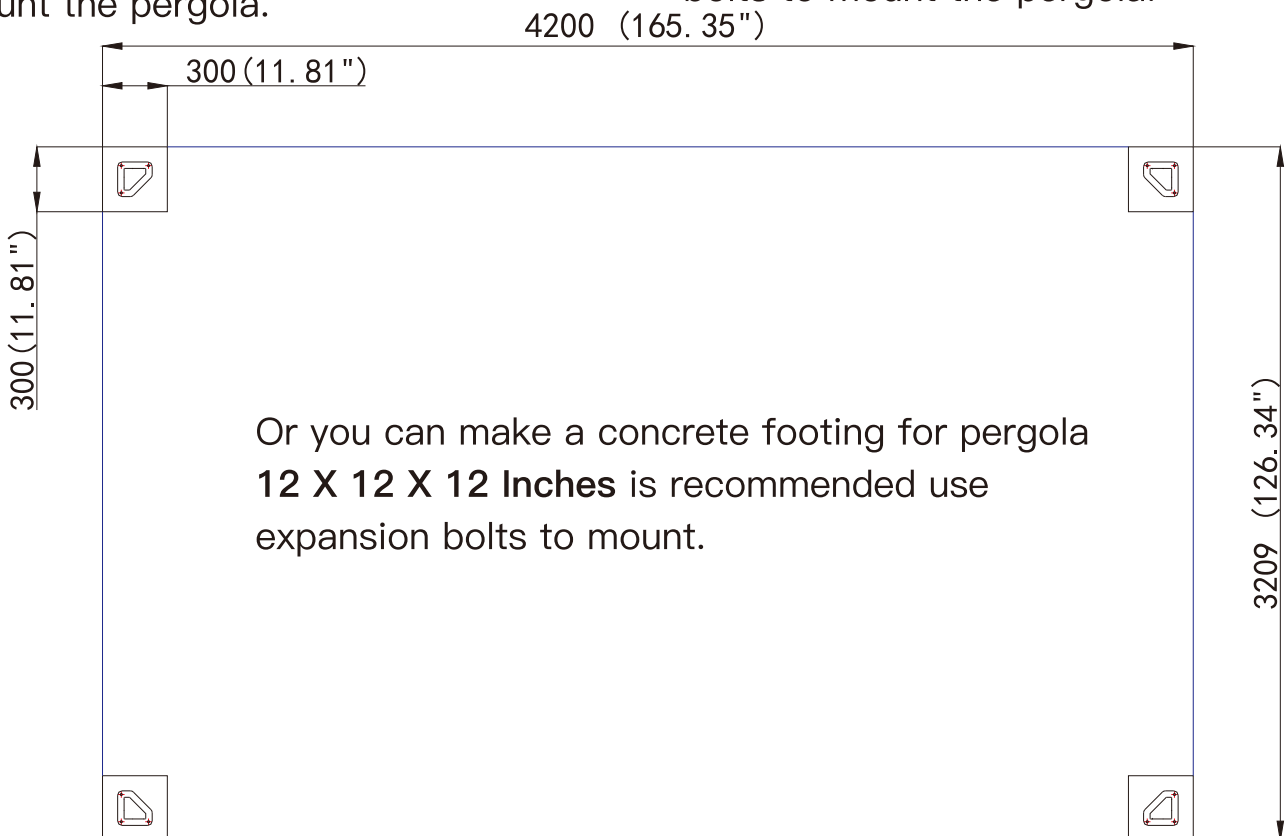
**Expansion Bolts X12**




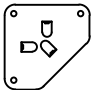
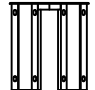


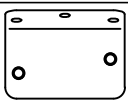
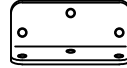

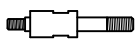
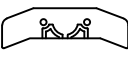
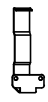
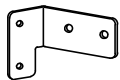
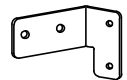
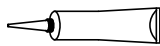
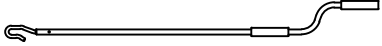

If the deck is hard wood and the depth of it is over 3 inch you can use **5/16 in. x4 in. Structural Wood Screw** to mount the pergola.




If the ground is concreted and the depth of it is over 3 inch you can use expansion bolts to mount the pergola.

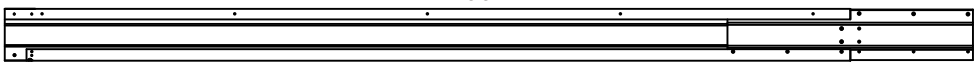


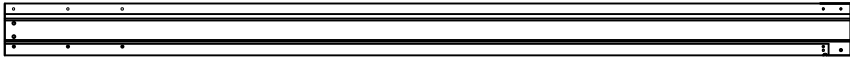
Or you can make a concrete footing for pergola **12 X 12 X 12 Inches** is recommended use expansion bolts to mount.

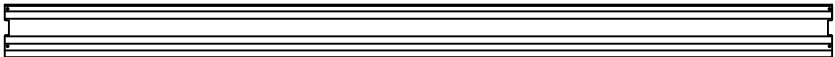
 2323mm	 A1(x4)	 A2(x4)
	 A3(x4)	 A4(x4)
	 F(x2)	 F1(x2)
	 G(x2)	 G1(x2)
	 H(x84)	 P(x2)
	 Q1(x2)	 Q2(x2)
	 Y(x1)	 Z(x1)
	 A(x4)	


 2945mm	B(x1)
--	-------

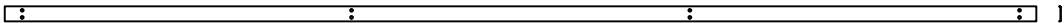
 2943mm	B1(x2)
--	--------


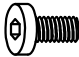

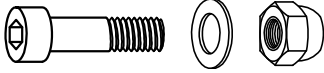

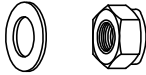



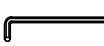

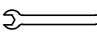
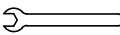
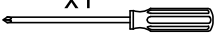
 2337mm	B3(x2)
--	--------

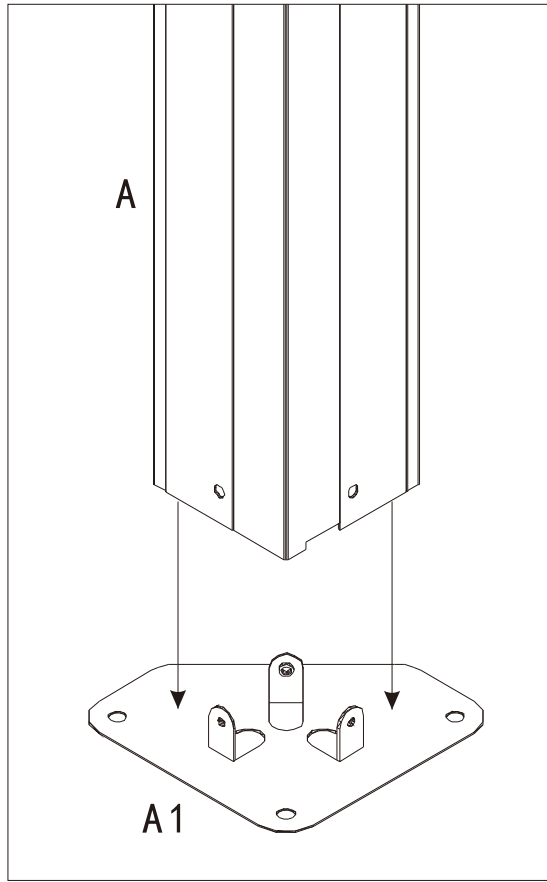
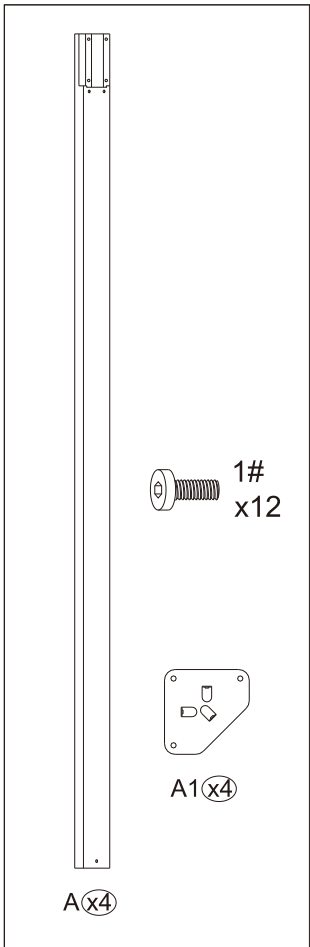
 1987mm	B4(x2)
--	--------

 1935mm	C(x42)
--	--------

 1935mm	D(x2)
--	-------

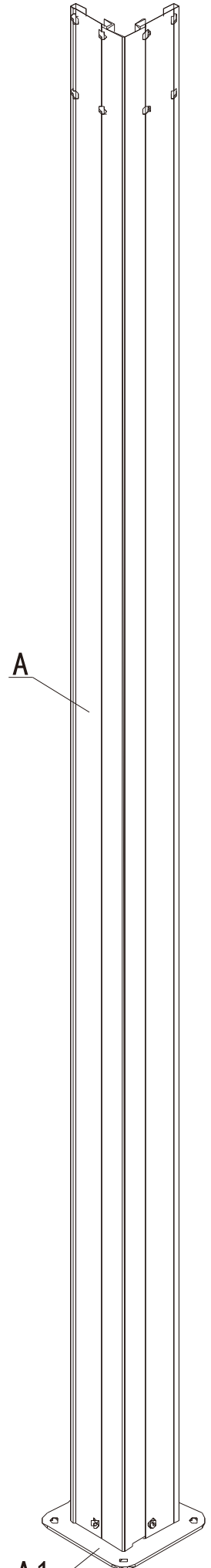
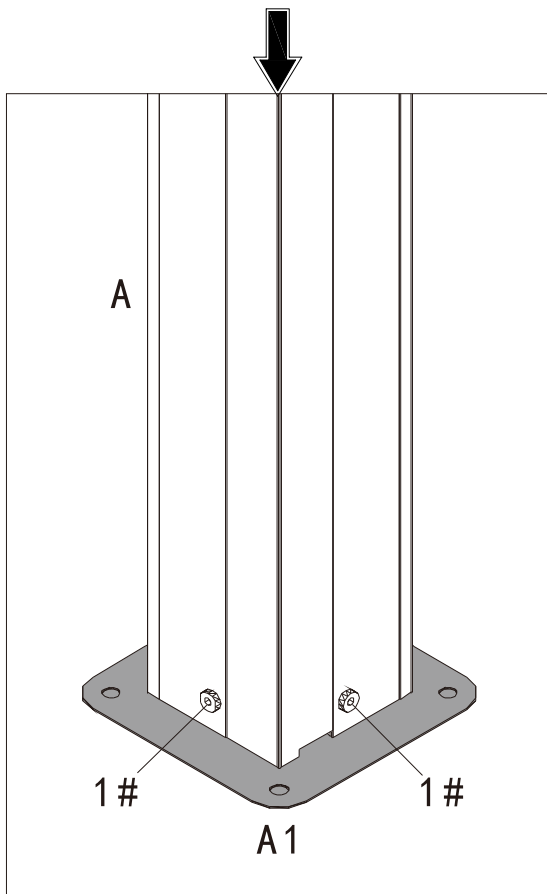
 2943mm	D1(x1)
--	--------

	M6x16	1# x72		
	M6x12	2# x28		
	M5x8	3# x30		
	M8x32	5# x4		
	M6	6# x2		
	M8	7# x2		
	ST3.5x16	8# x168		
	4x6	9# x172		
	M6x16	10# x4		
 S6 x1	 S4 x1	 S10 x1	 S13 x2	 x1

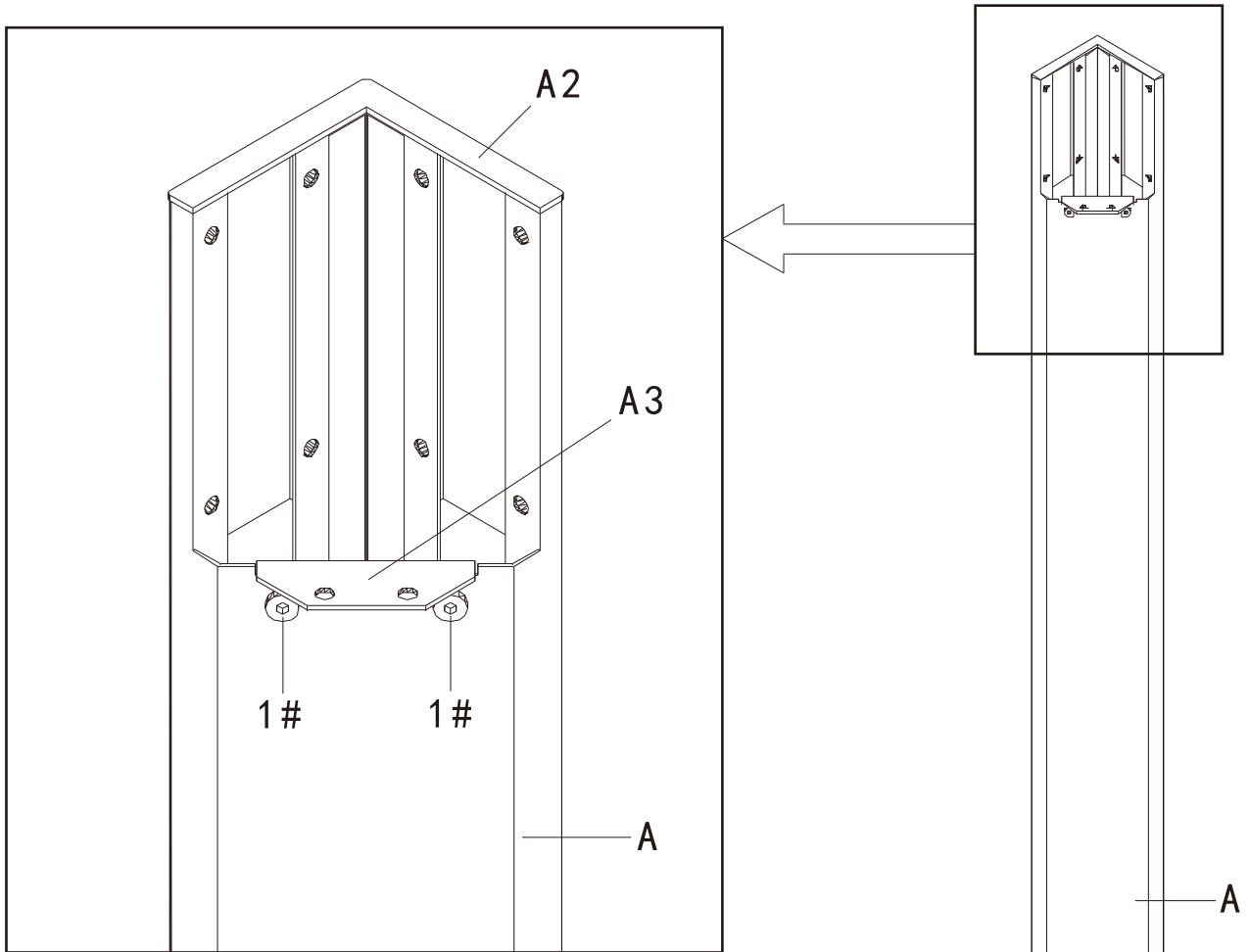
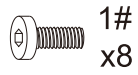
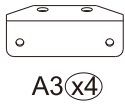


**Step 1:**

Connect Part #A and Part #A1 with 3 Bolts 1# as shown.

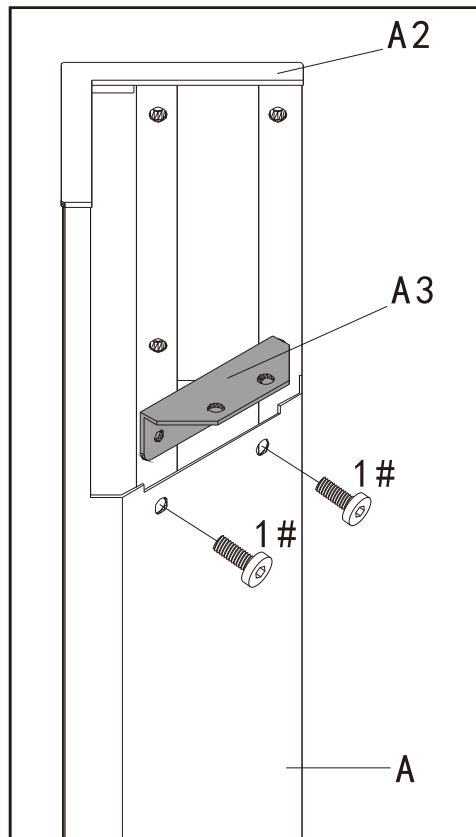
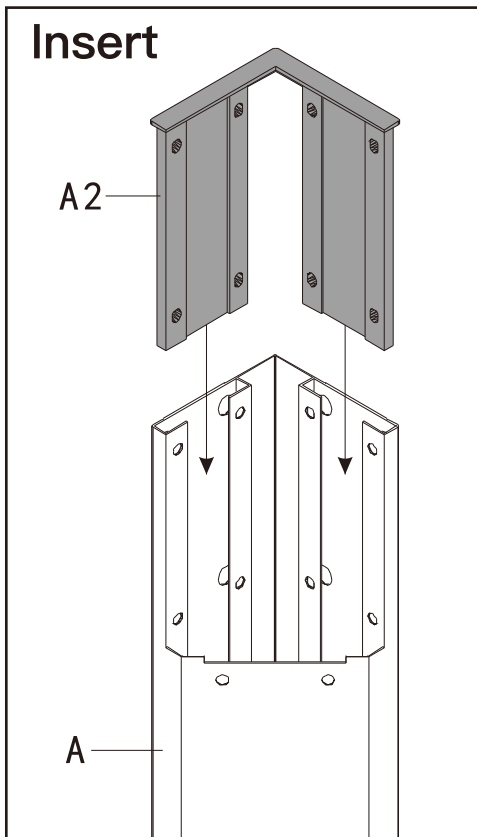


Repeat the above procedures to assemble the other 3 posts.

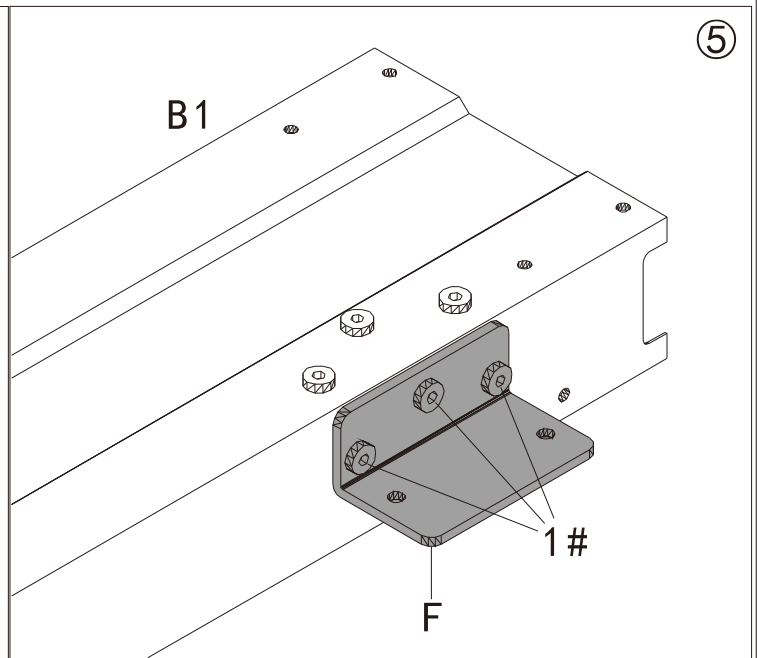
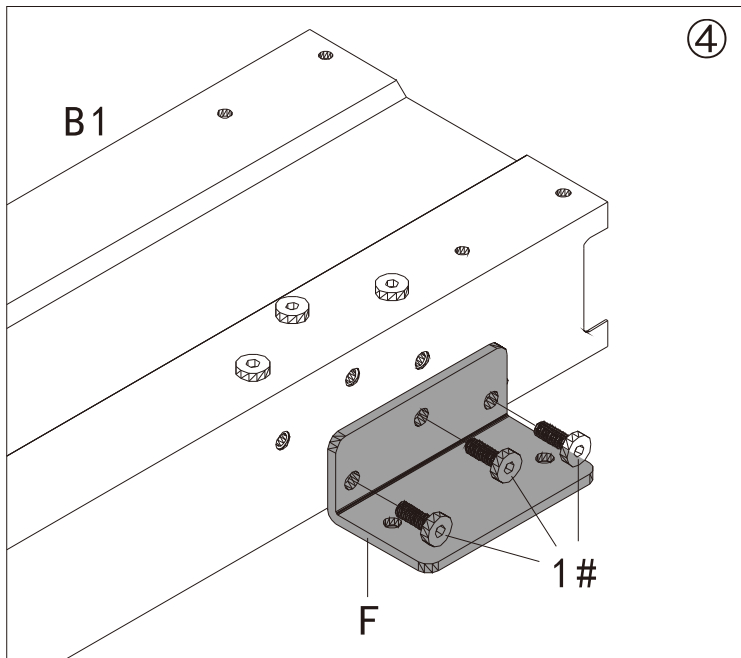
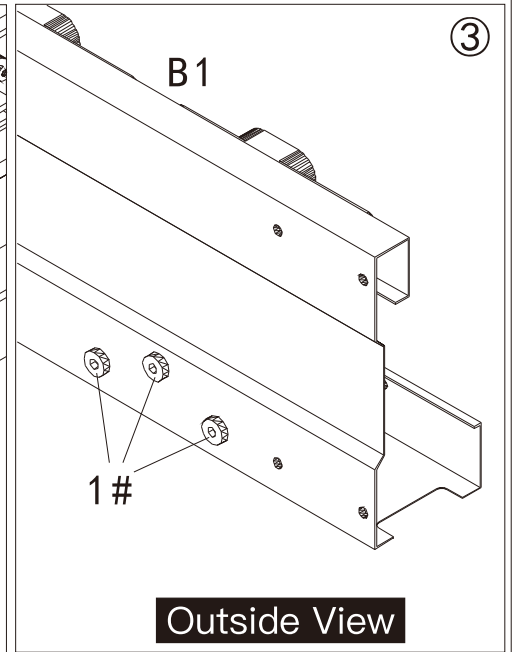
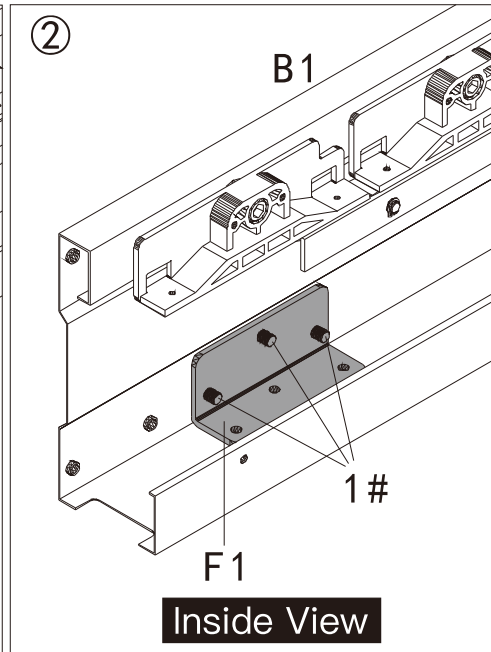
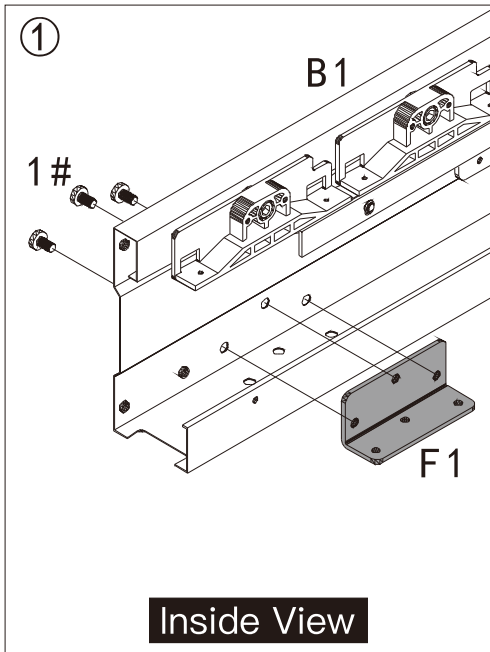
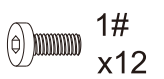
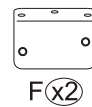


### Step 3:

Insert part #A2, connect part #A3 with 2 bolts #1.

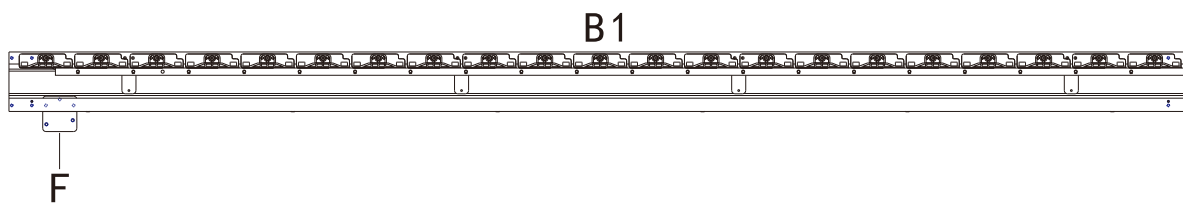
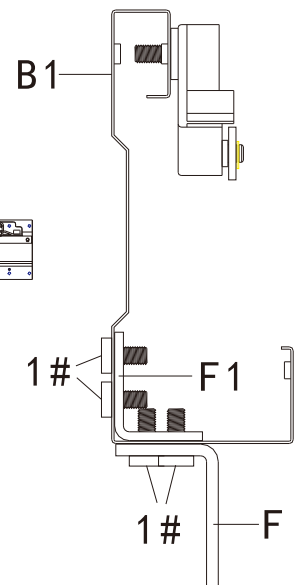


Repeat the above procedures to assemble the other 3 posts.



### Step 4:

Insert Part #F1 into Part #B1. Secure with 3 Bolts 1# as shown.

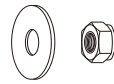


Secure Part #F with 3 bolts #1 as shown in ④, ⑤.

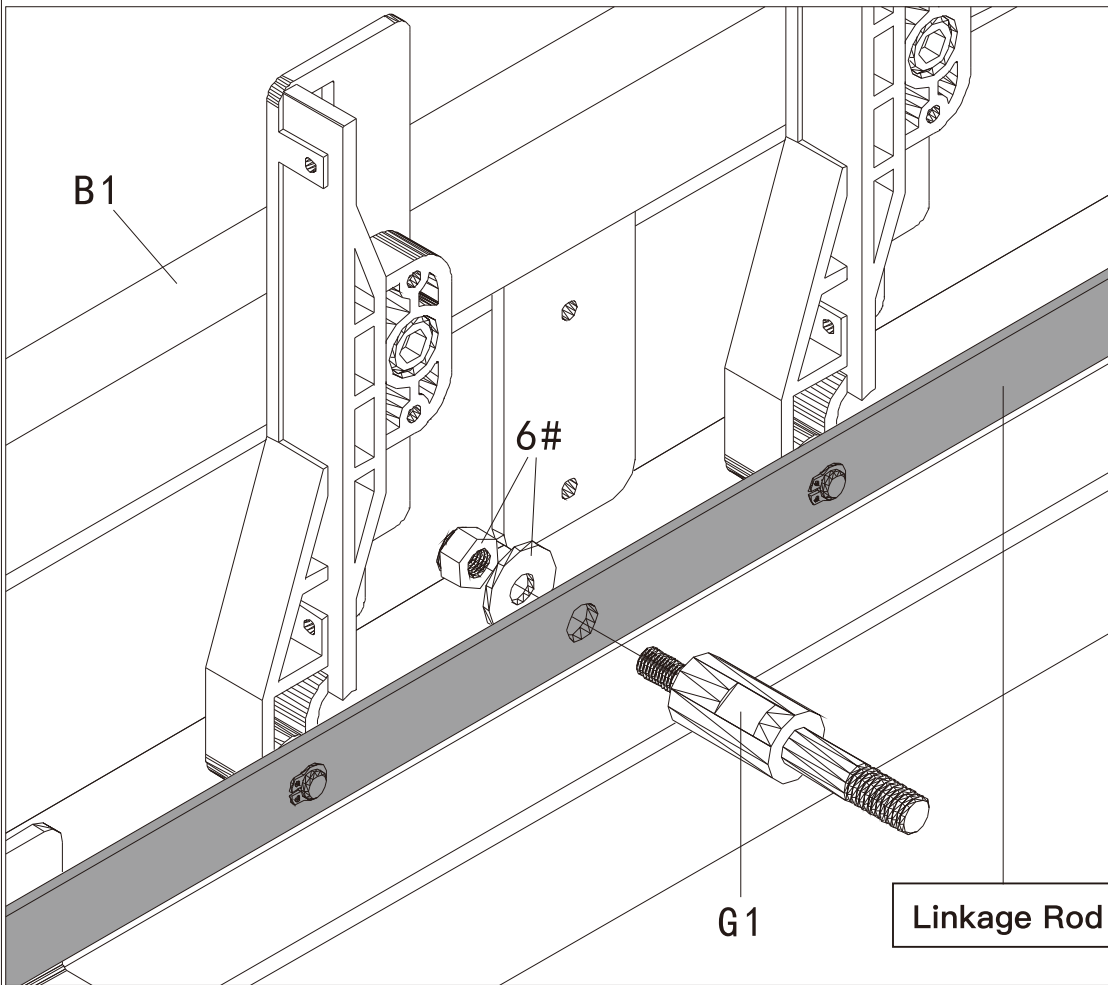
Repeat the above procedures to assemble another beam # B1.



G1 x2



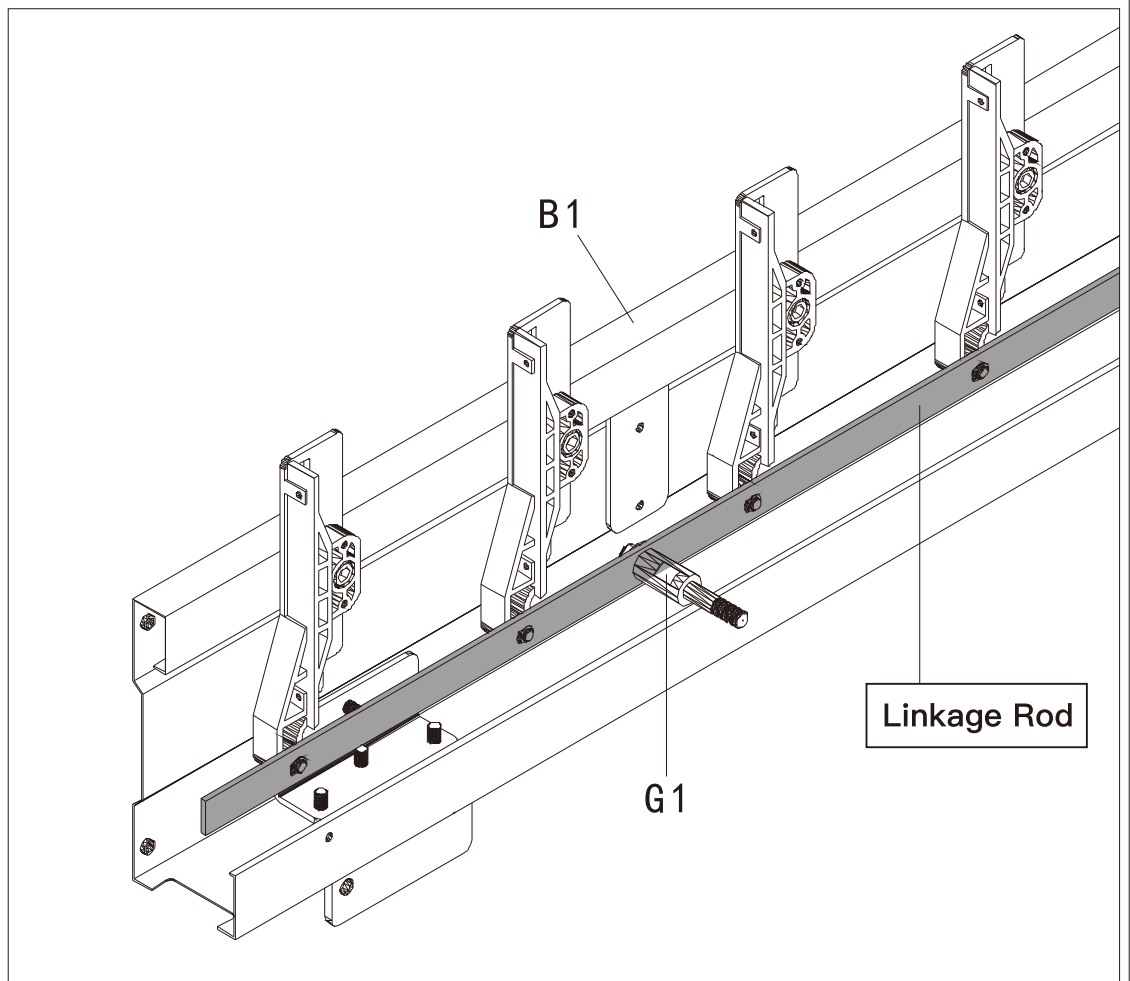
6#  
x2

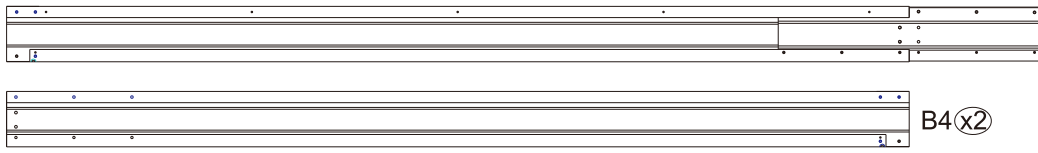


### Step 5:

Insert Part #G1 into the hole on Linkage Rod of Beam #B1. Secure with Nut 6# and gasket as shown.

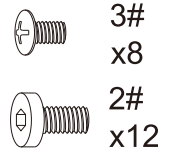
Repeat the above procedures to assemble another beam.





B3(x2)

B4(x2)

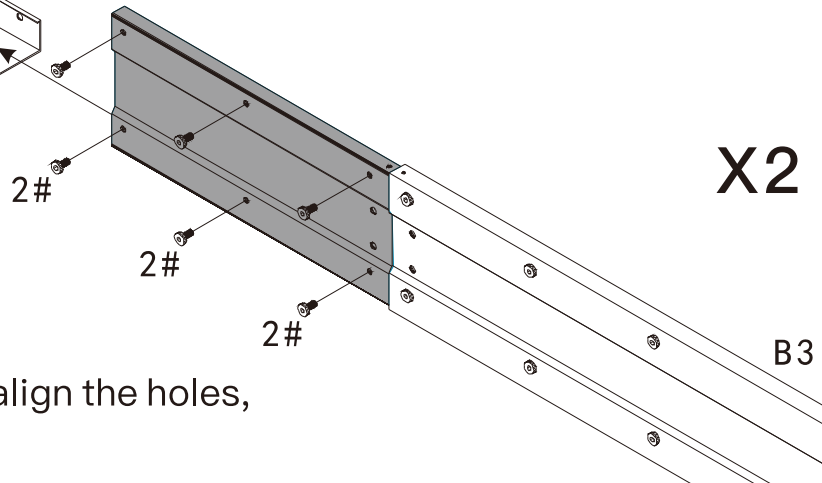


3#  
x8

2#  
x12

B4

# Front View



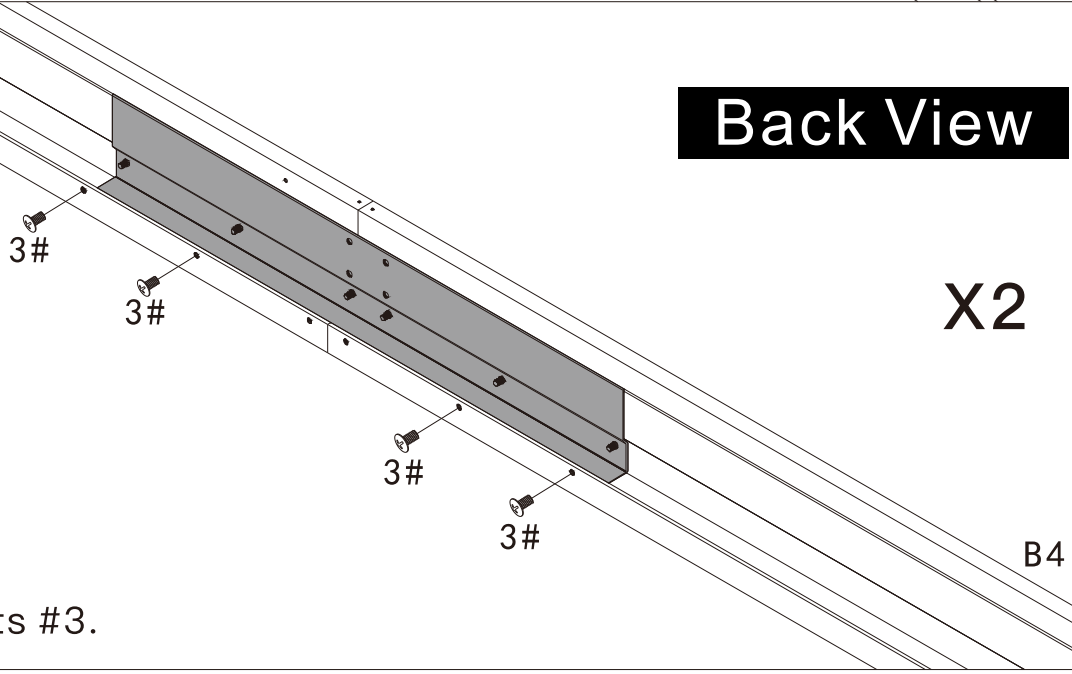
X2

## Step 6:

Insert Part #B3 to Part #B4, align the holes, and secure with 6 Bolts #2.

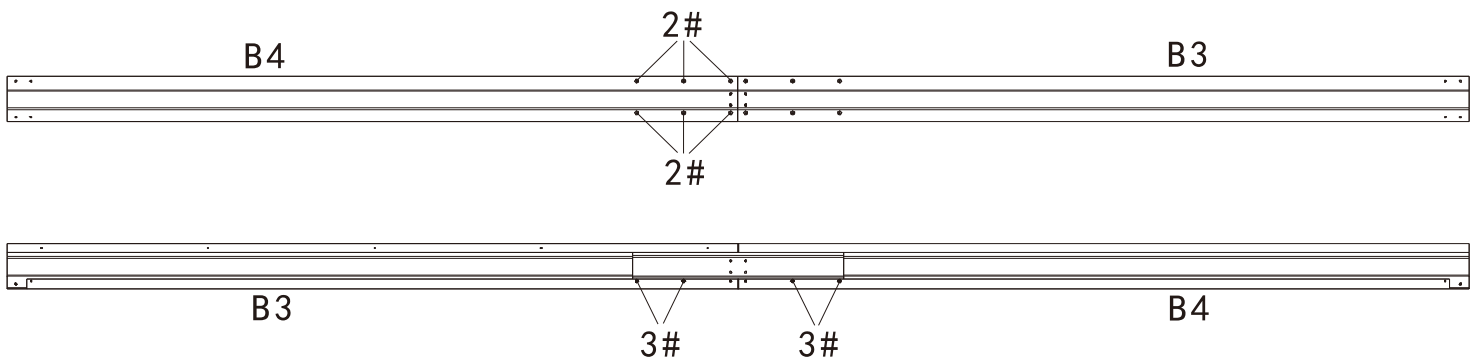
B3

# Back View



X2

Fix with 4 Bolts #3.

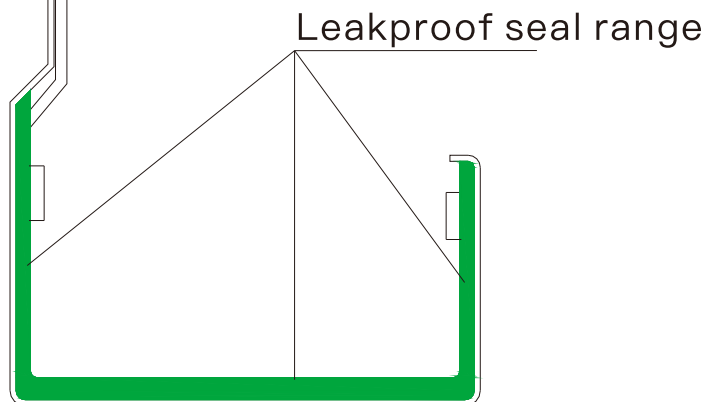
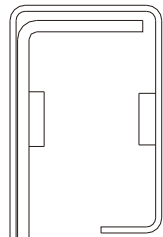
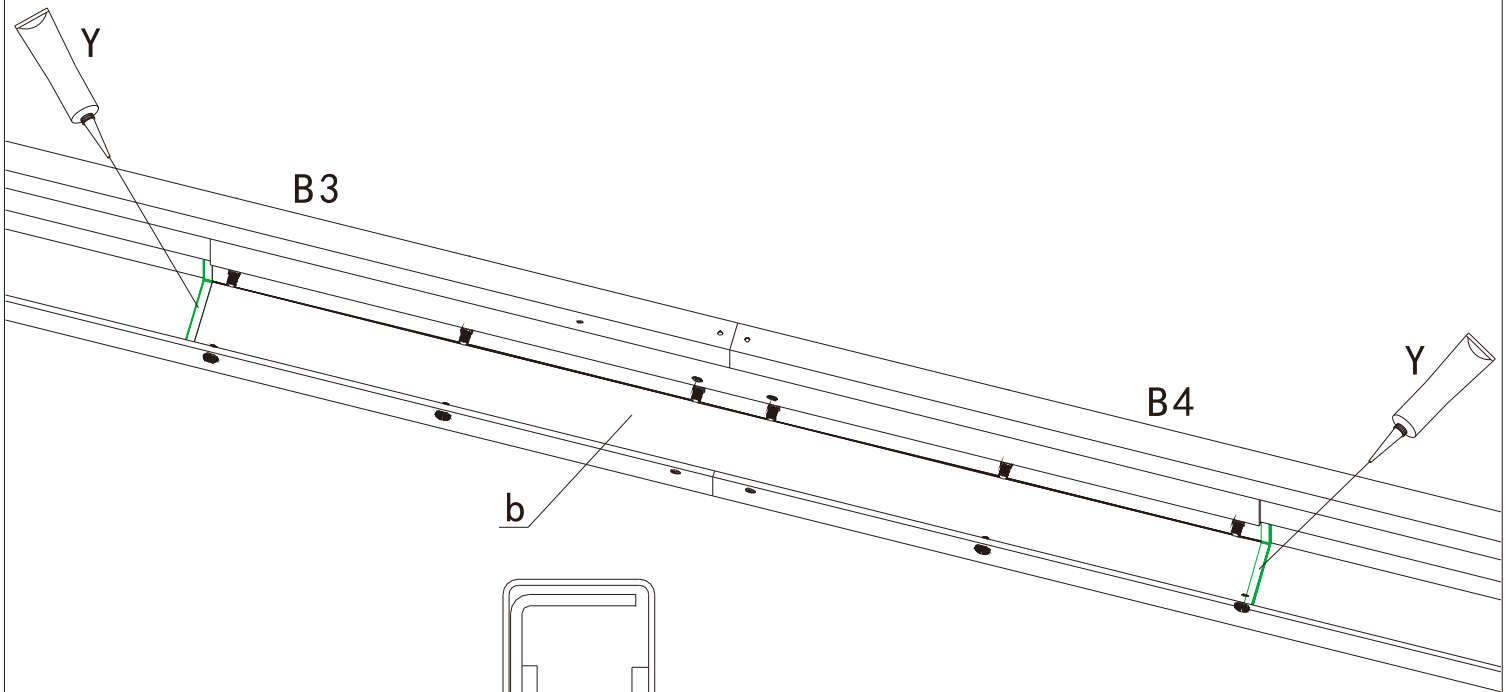


It's an ordinary situation that after the two beams are connected, there will be a little arch at the joint.



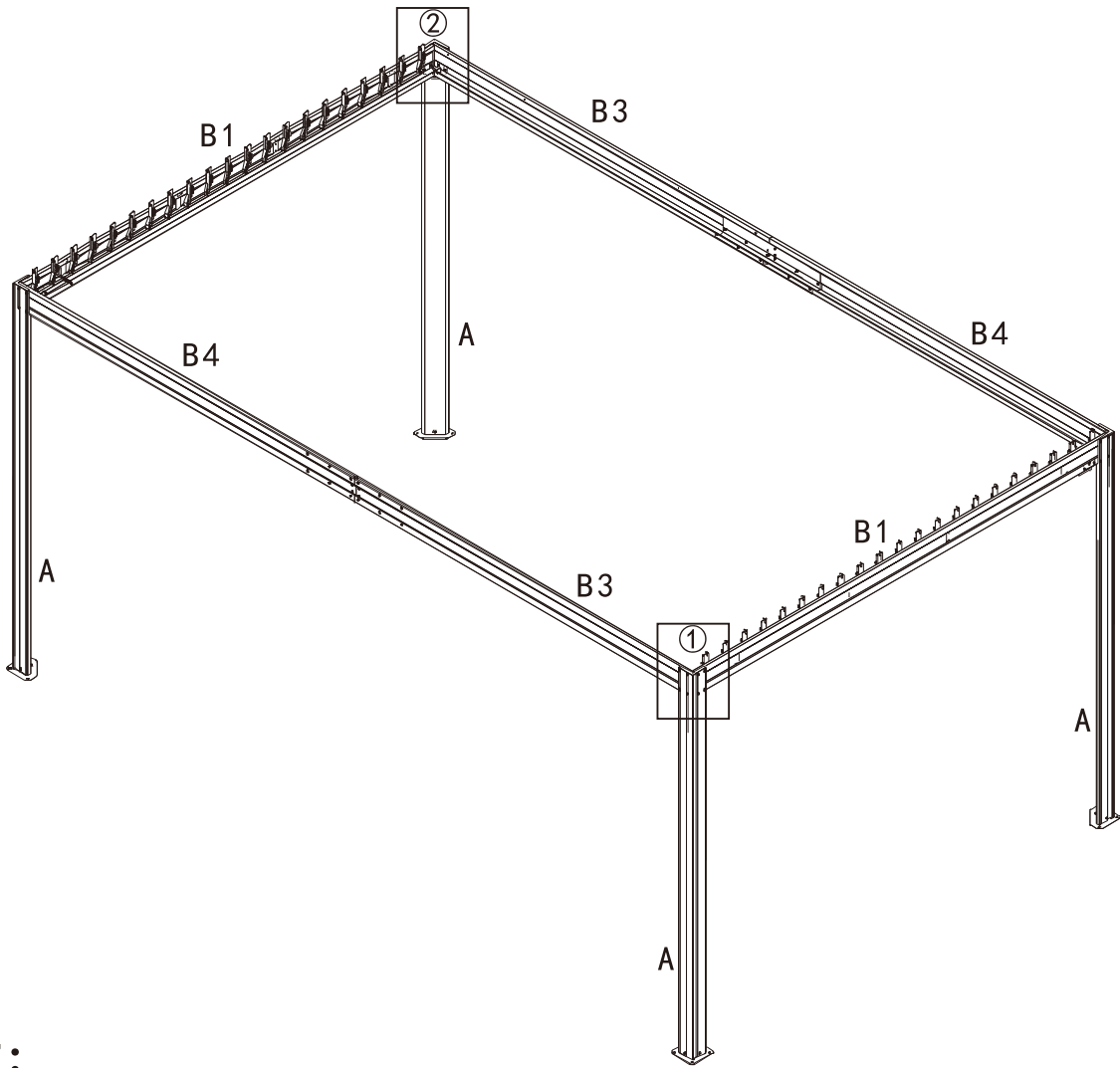
Y(x1)

Seal the joint gap at both ends of the connector #b of beam B3/B4 with leak-proof sealant Y.



⚠ The adhesive can be applied with other tools or fingers during operation. The adhesive is non-toxic after curing at room temperature.

1#  
x32



**Step 7:**

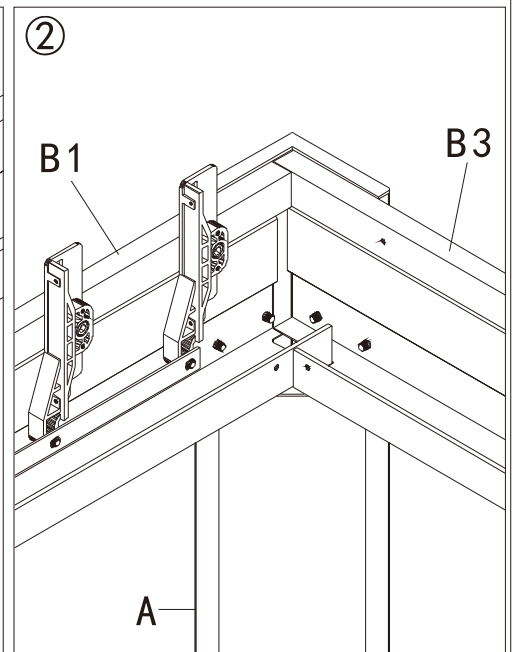
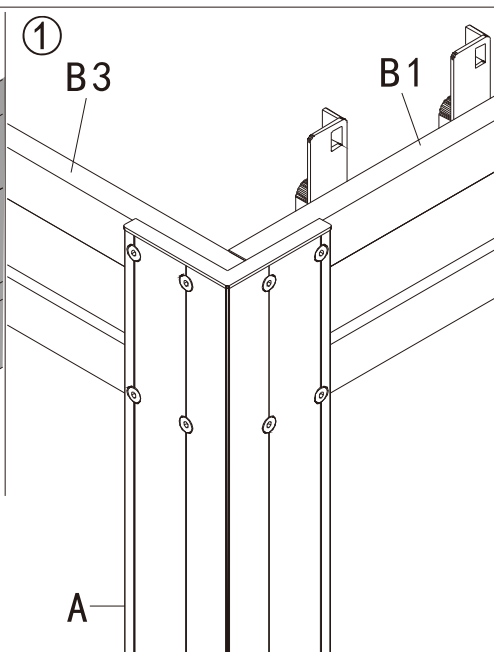
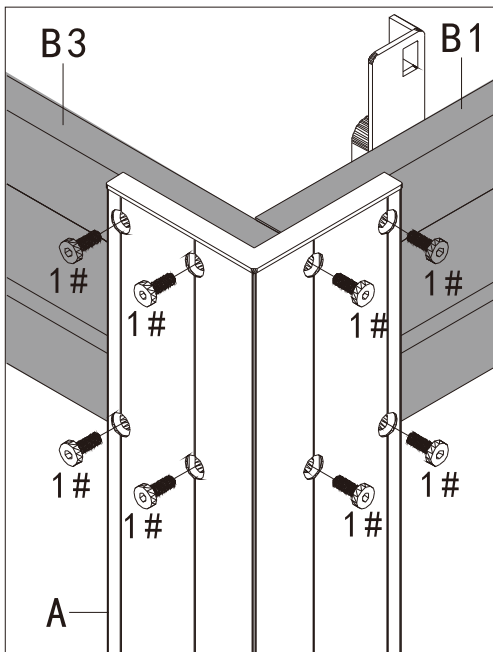
Use 8 Bolts# 1 to install Beam #B1 & #B3 with Post #A.

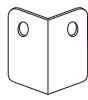
Repeat the above procedures to assemble the other three sides.

**⚠ ATTENTION:** Don't tighten the bolts before all bolts are in the correct place.

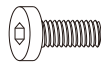
**Outside View**

**Inside View**





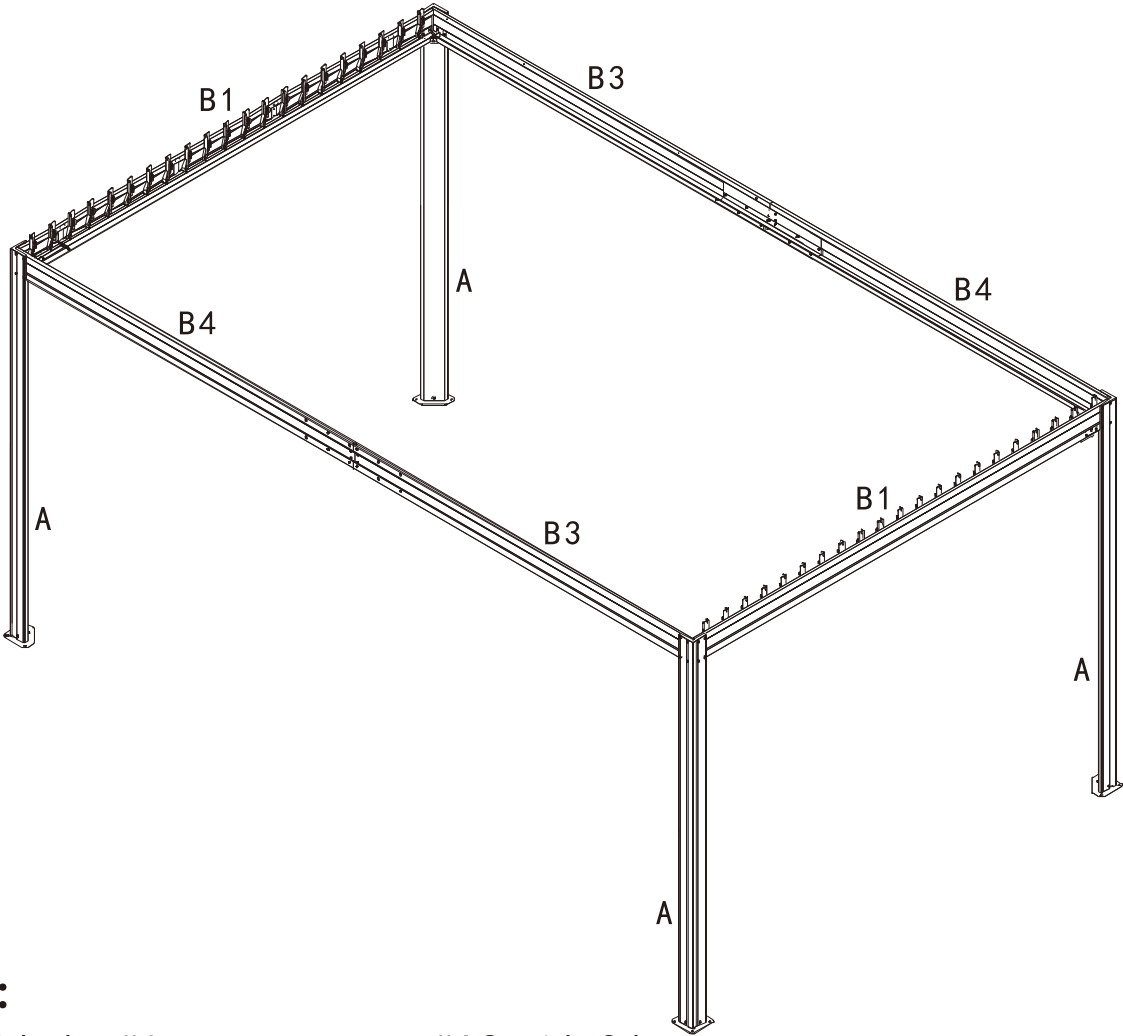
A4 x4



1#  
x8



3#  
x8



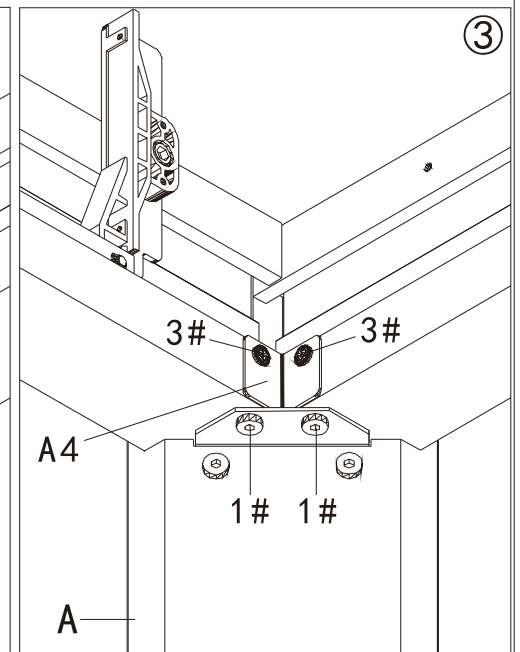
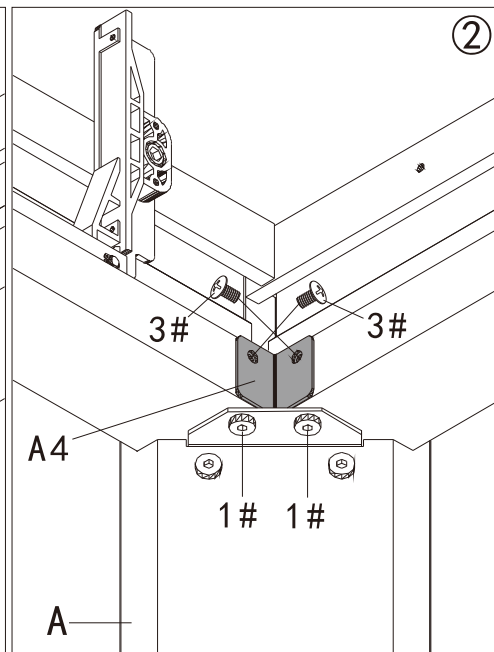
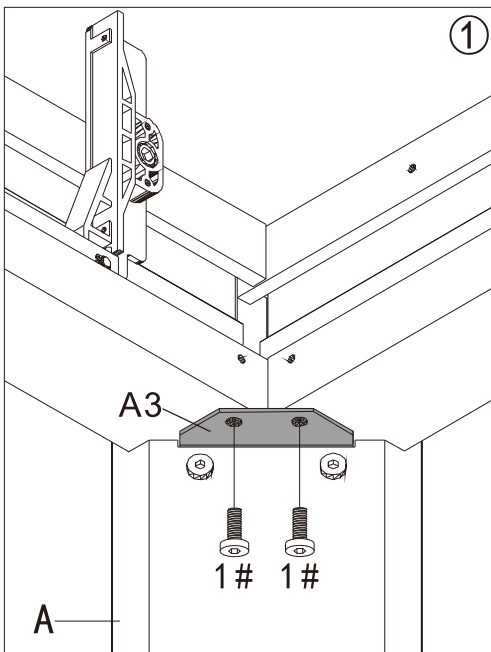
### Step 8:

①: Use 2 bolts #1 to secure part #A3 with 2 beams.

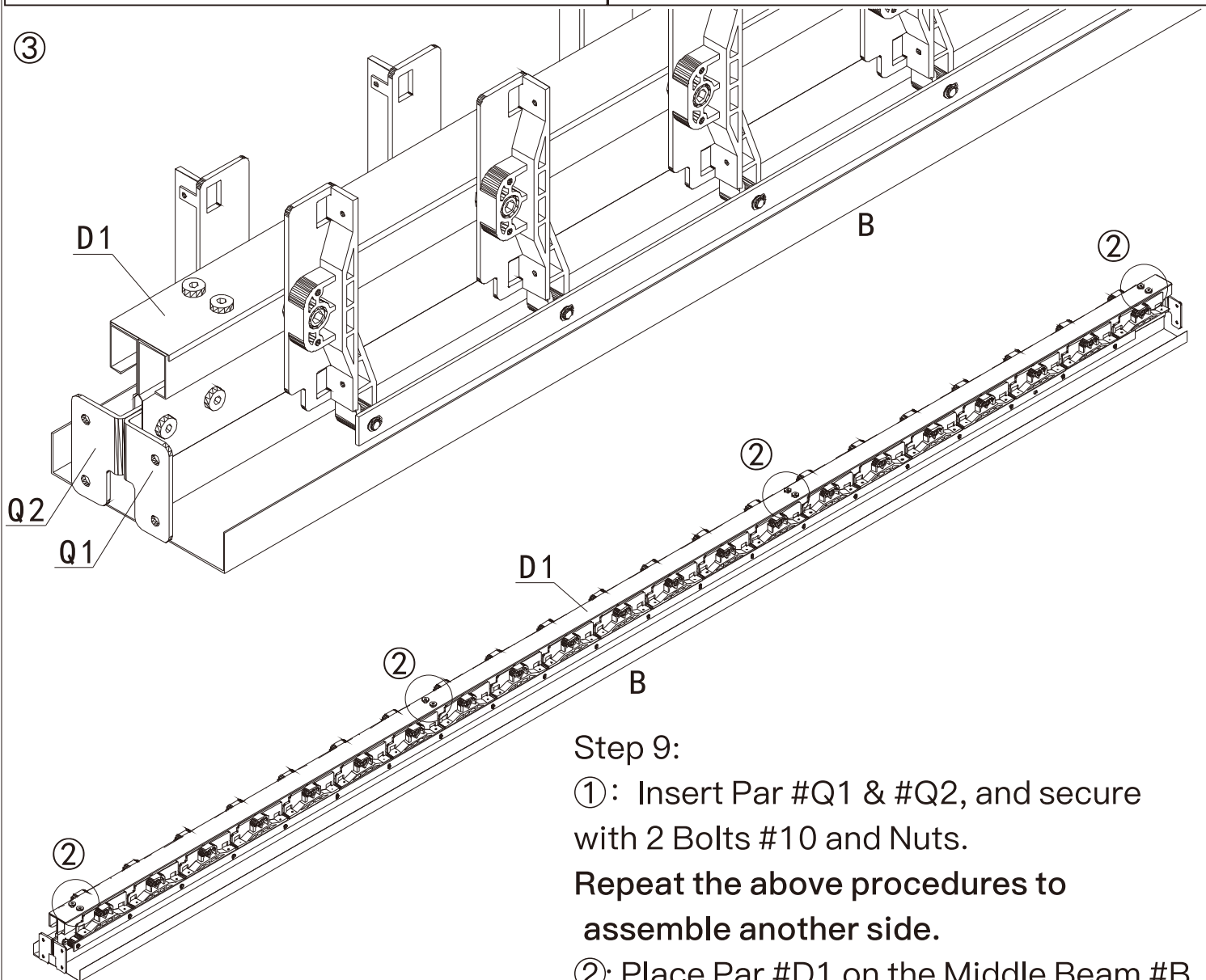
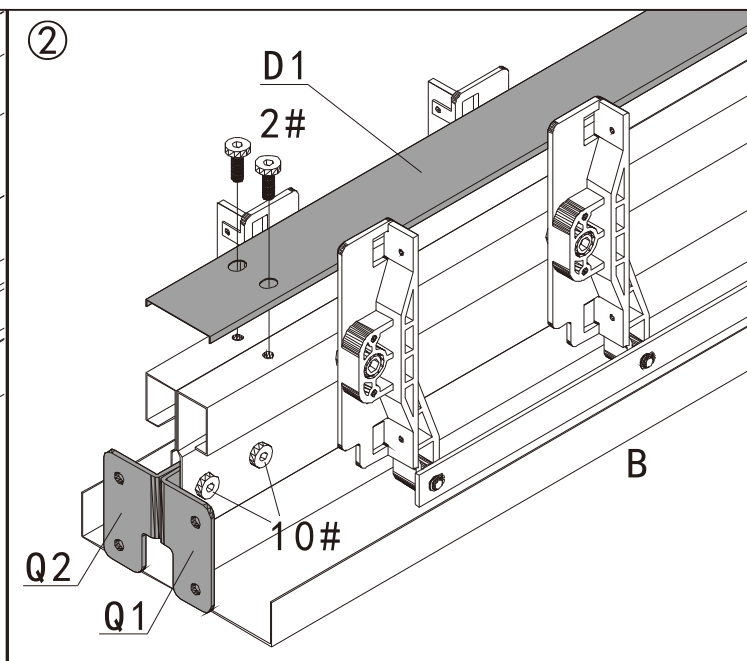
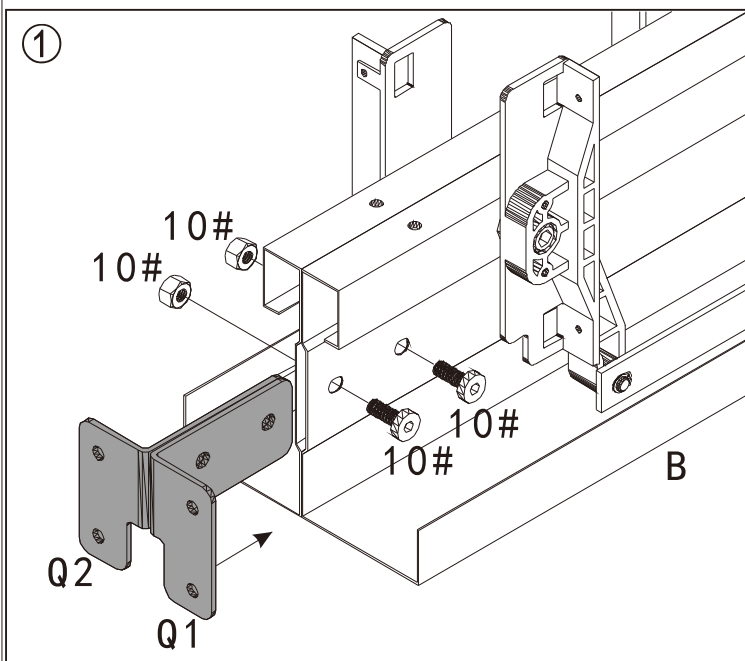
②: Use 2 bolts #3 to secure part #A4 with 2 beams.

Repeat the above procedures to assemble other 3 corners.

**⚠ ATTENTION:** Tighten all the bolts.



Inside View

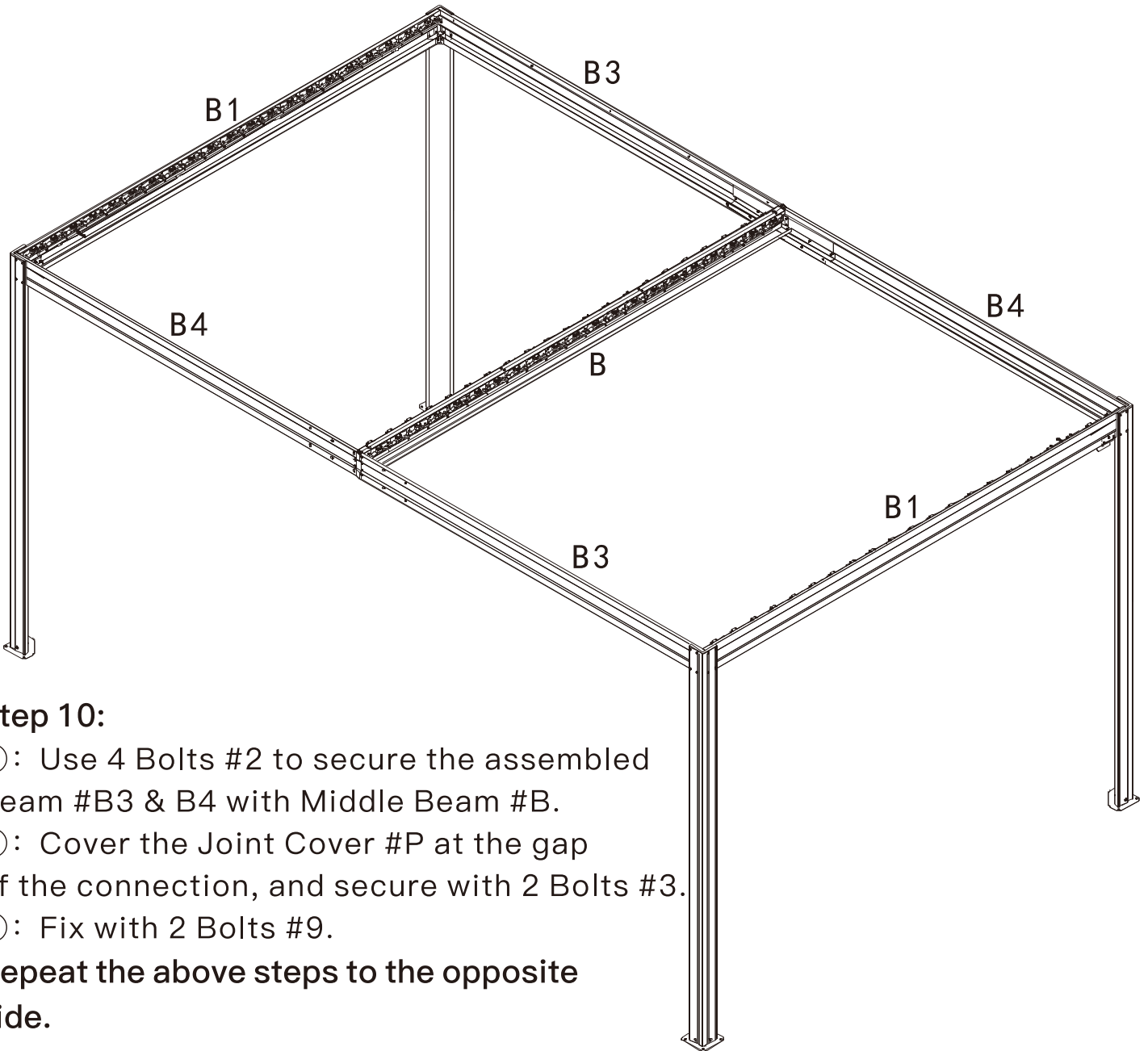
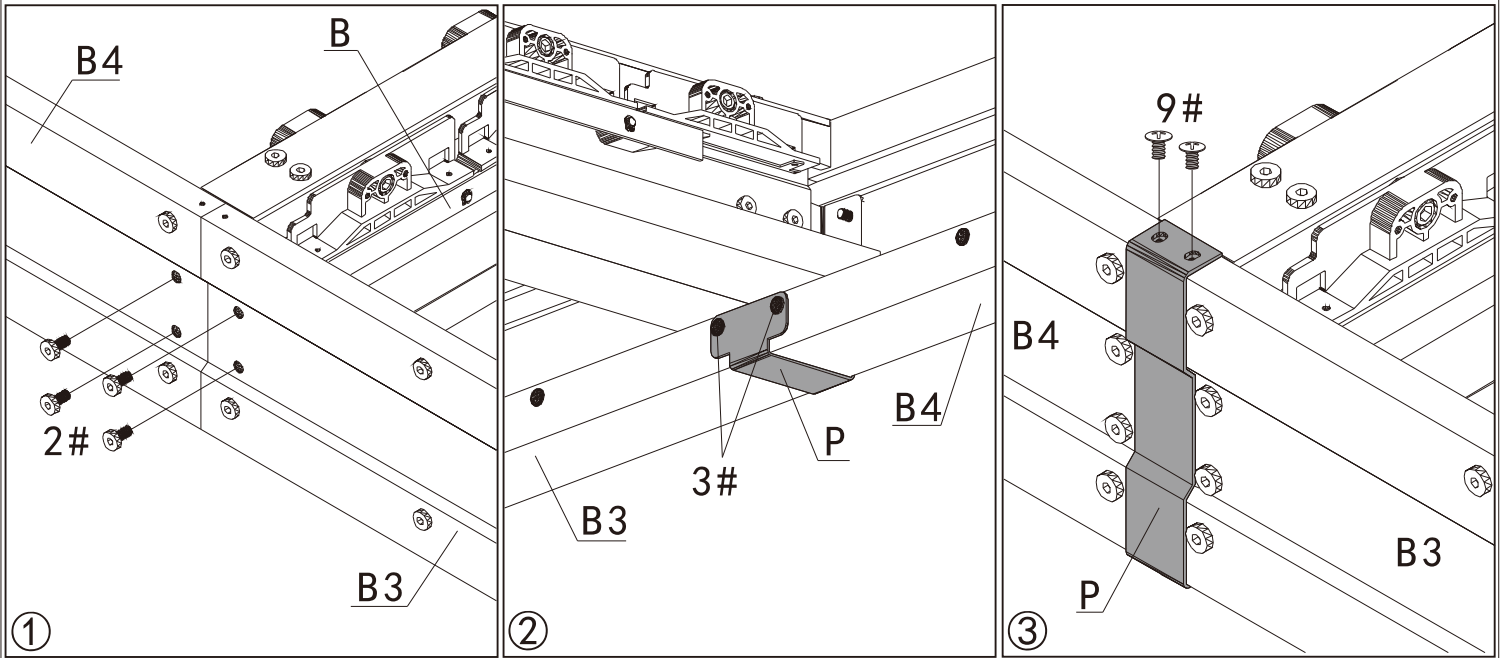
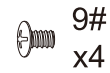
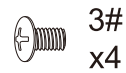
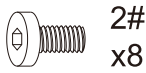


**Step 9:**

①: Insert Par #Q1 & #Q2, and secure with 2 Bolts #10 and Nuts.

Repeat the above procedures to assemble another side.

②: Place Par #D1 on the Middle Beam #B, and secure with 8 Bolts #2.



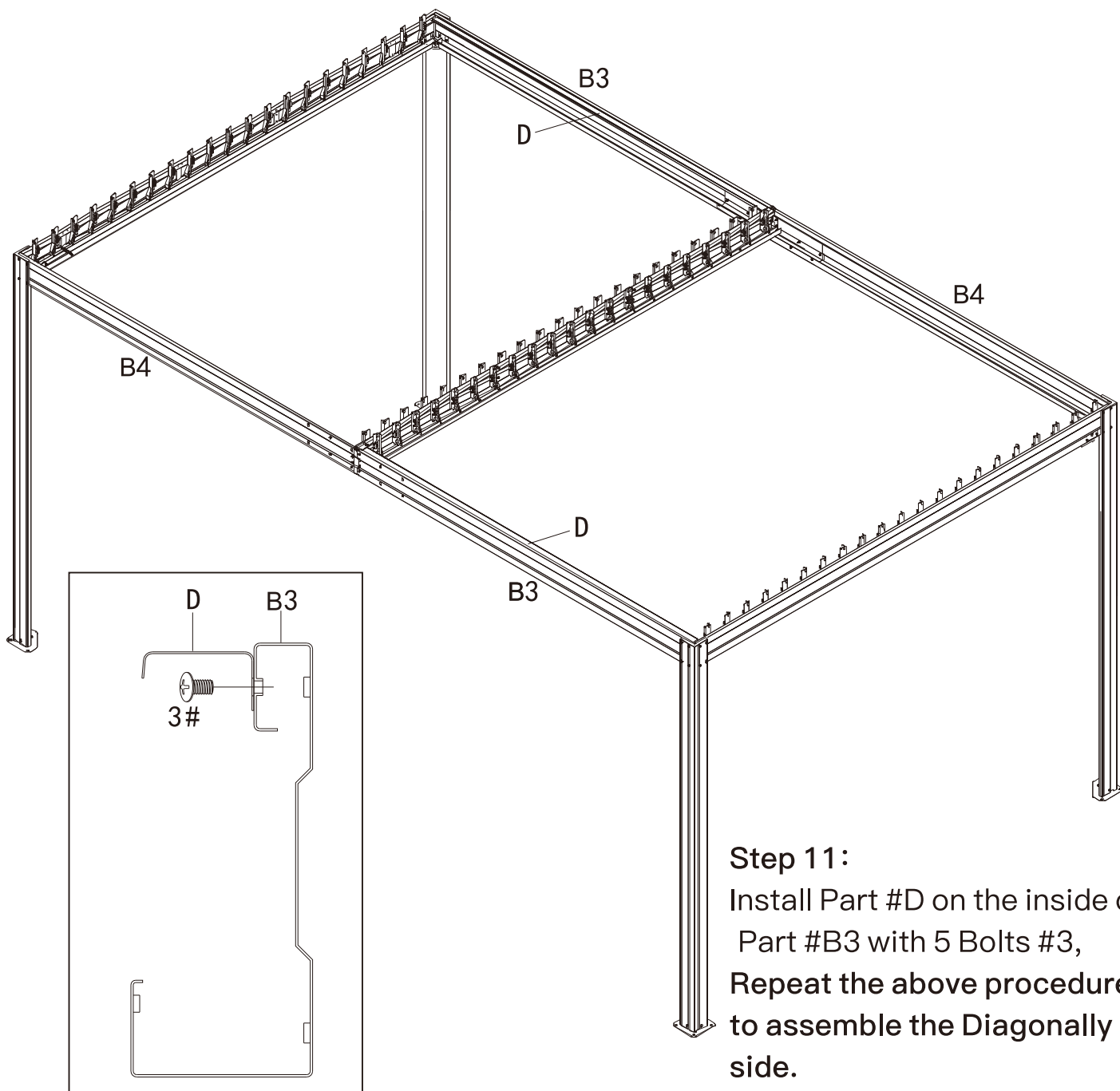
**Step 10:**

- ①: Use 4 Bolts #2 to secure the assembled Beam #B3 & B4 with Middle Beam #B.
- ②: Cover the Joint Cover #P at the gap of the connection, and secure with 2 Bolts #3.
- ③: Fix with 2 Bolts #9.

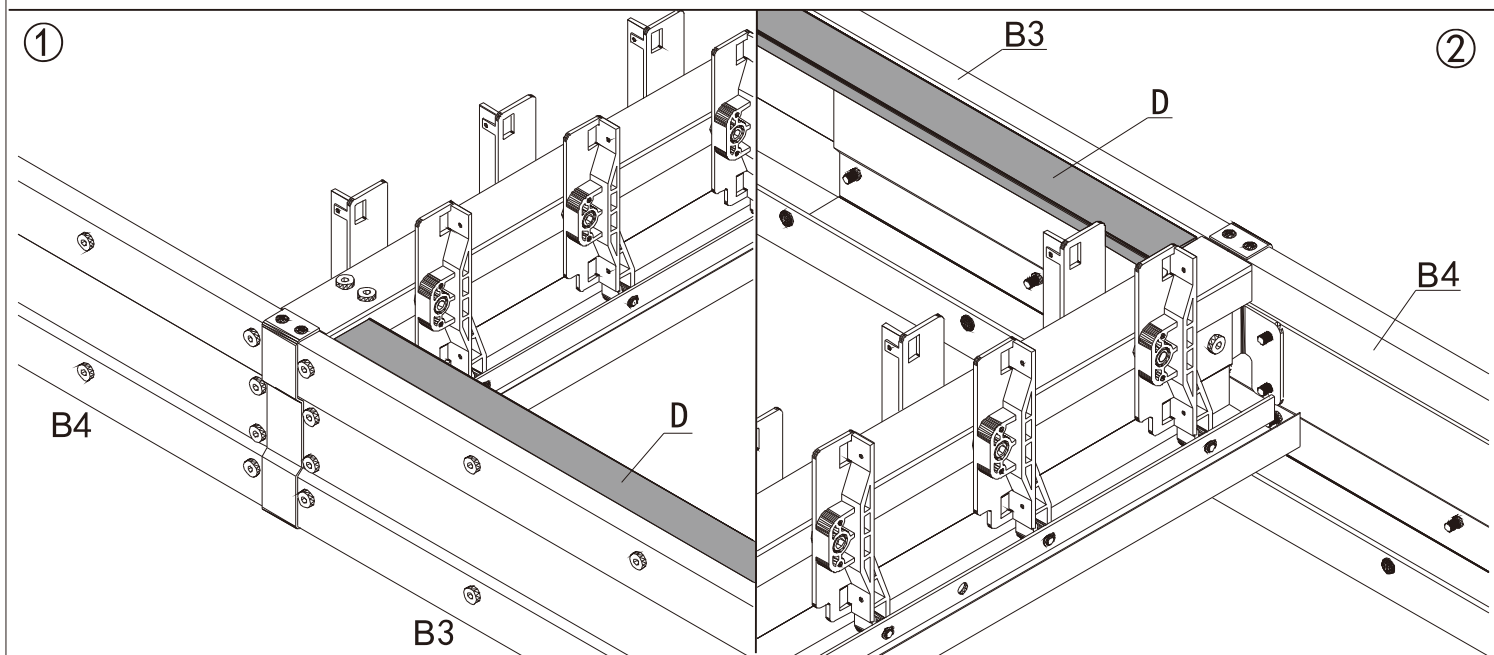
**Repeat the above steps to the opposite side.**

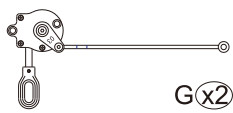
D(x2)

3#  
x10



**Step 11:**  
Install Part #D on the inside of  
Part #B3 with 5 Bolts #3,  
Repeat the above procedures  
to assemble the Diagonally  
side.





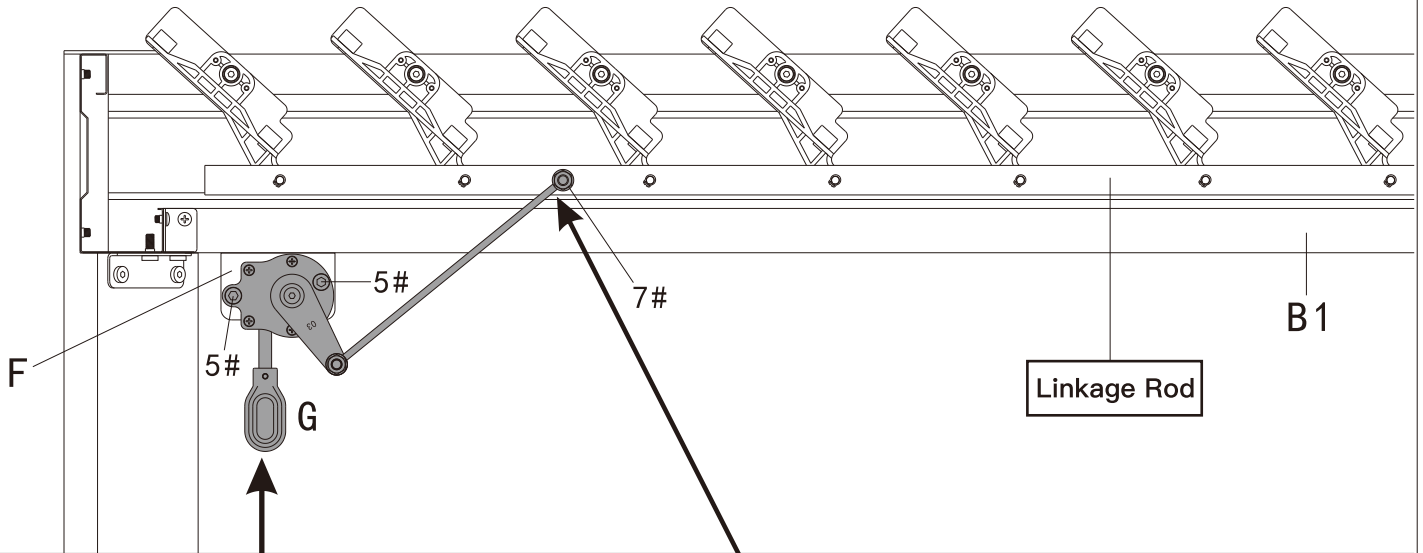
G(x2)



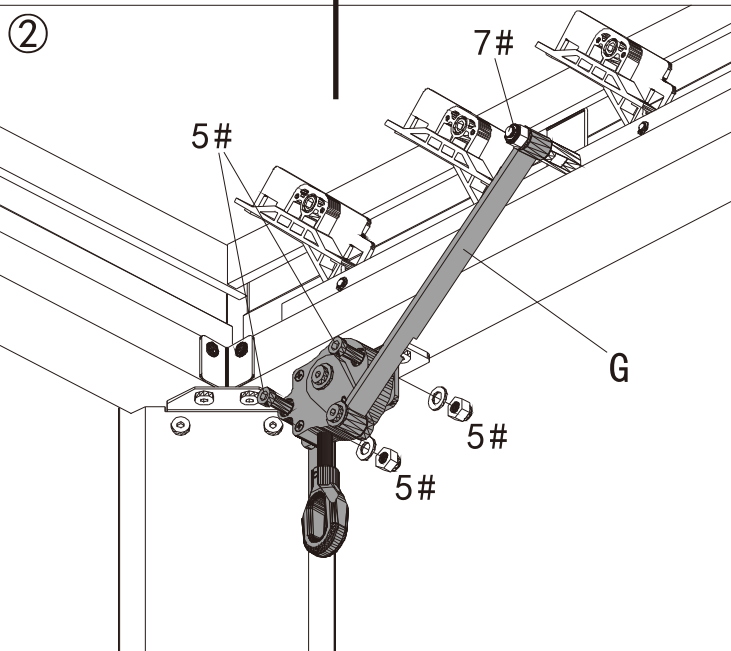
5#  
x4



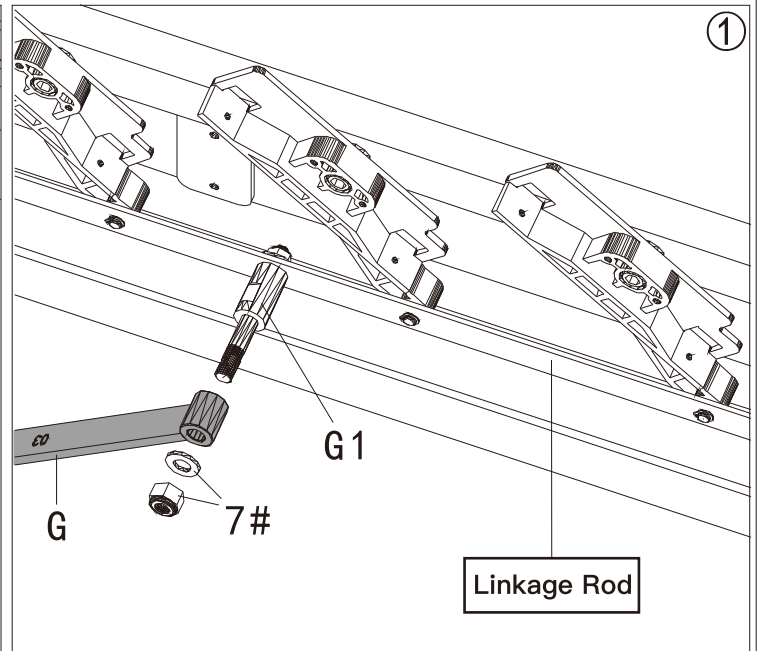
7#  
x2



**Step 12 :**



② Use 2 bolts #5, gaskets and nuts to fix part #G with bracket #F.



① Insert the connecting rod end of Part #G into Part #G1 and secure with 1 Nut 7# and gasket.

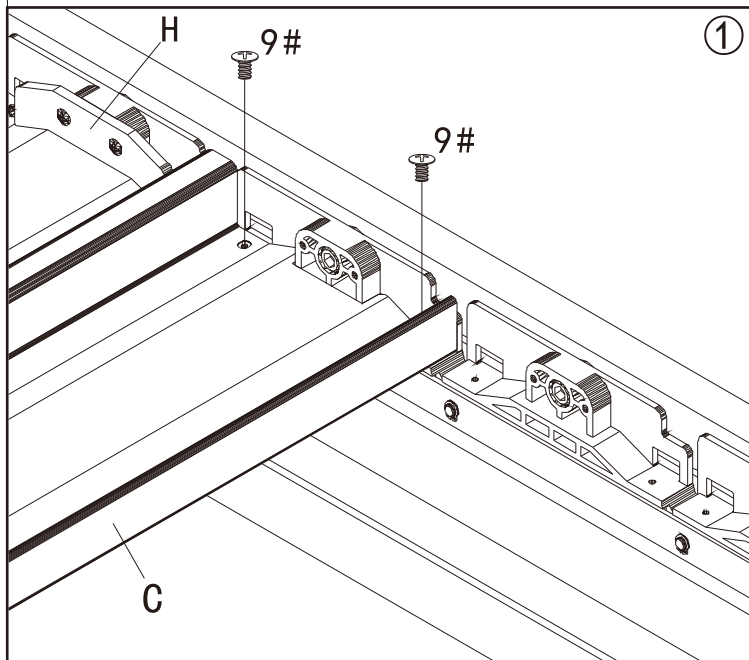
**Repeat the above procedures to assemble another side.**

C(x42)



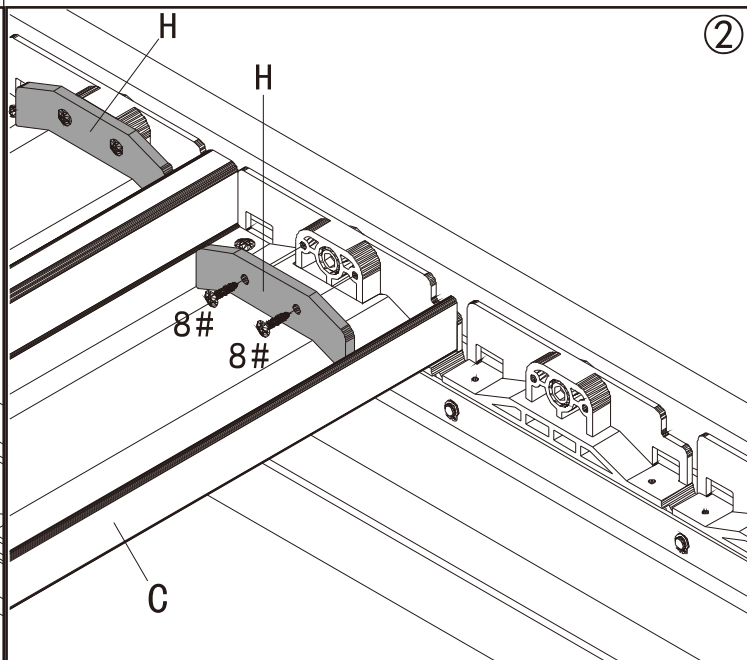
### Step 13:

Place the roof panel, align the holes and fix with bolts 9#.

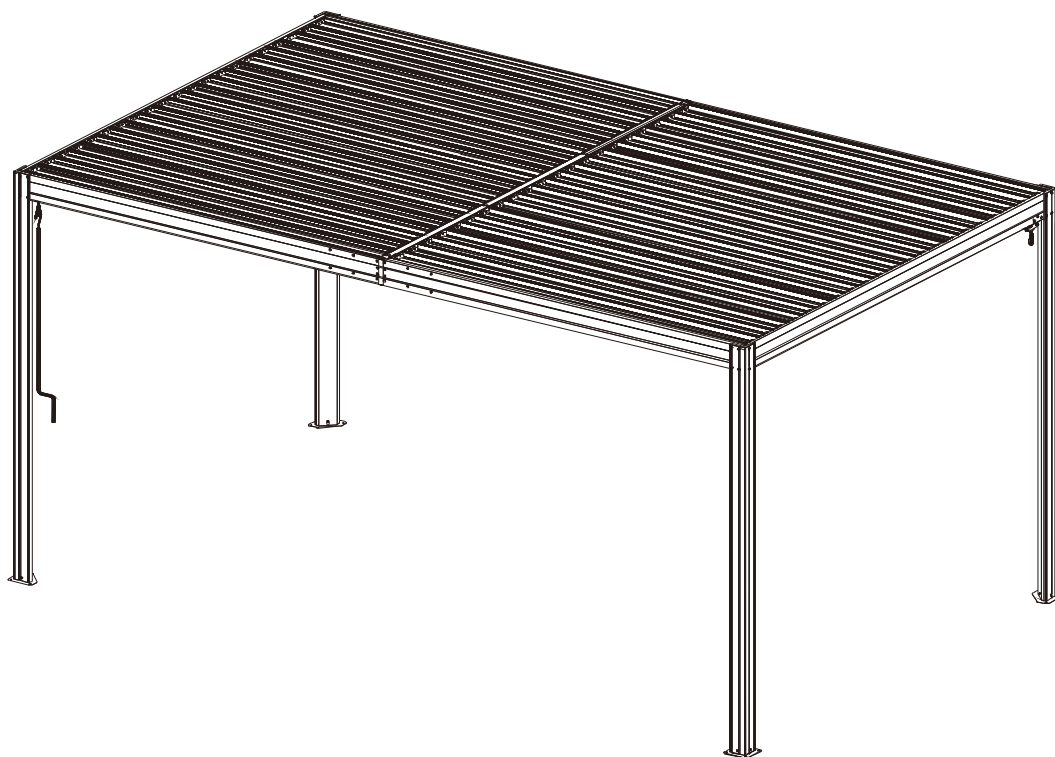


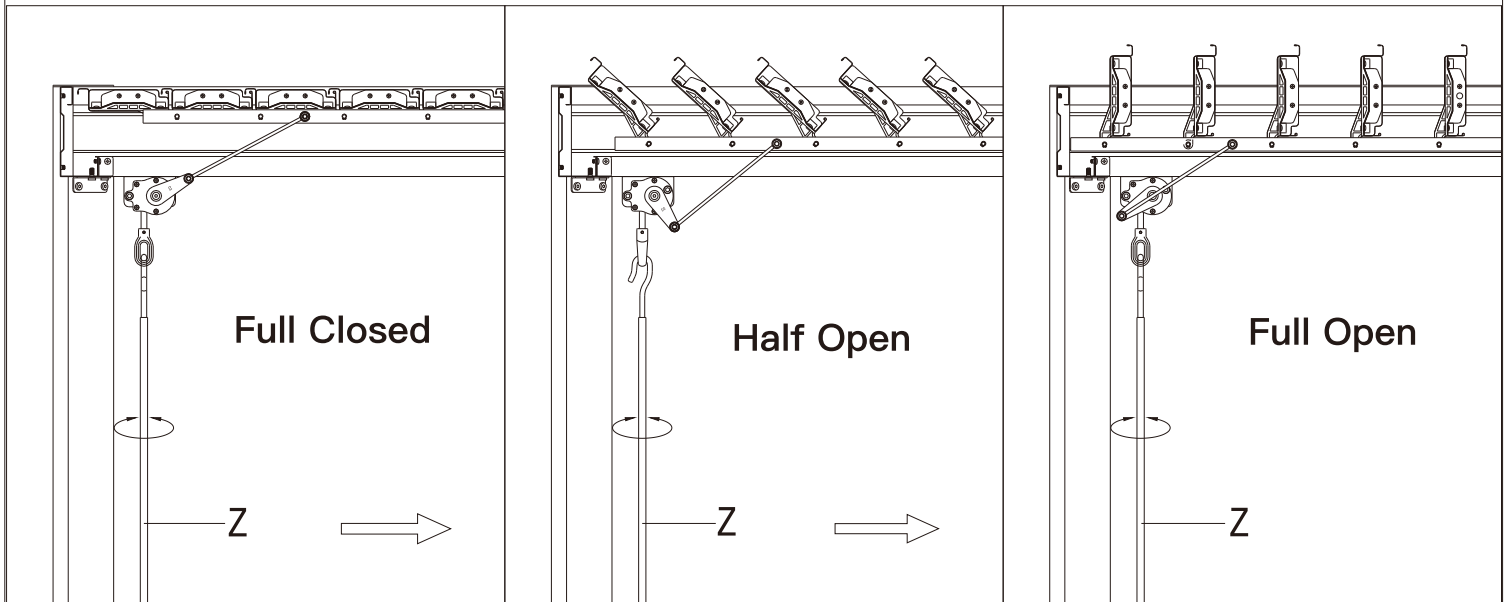
### Step 14:

Insert part #H, and secure with self-tapping bolts 8#.



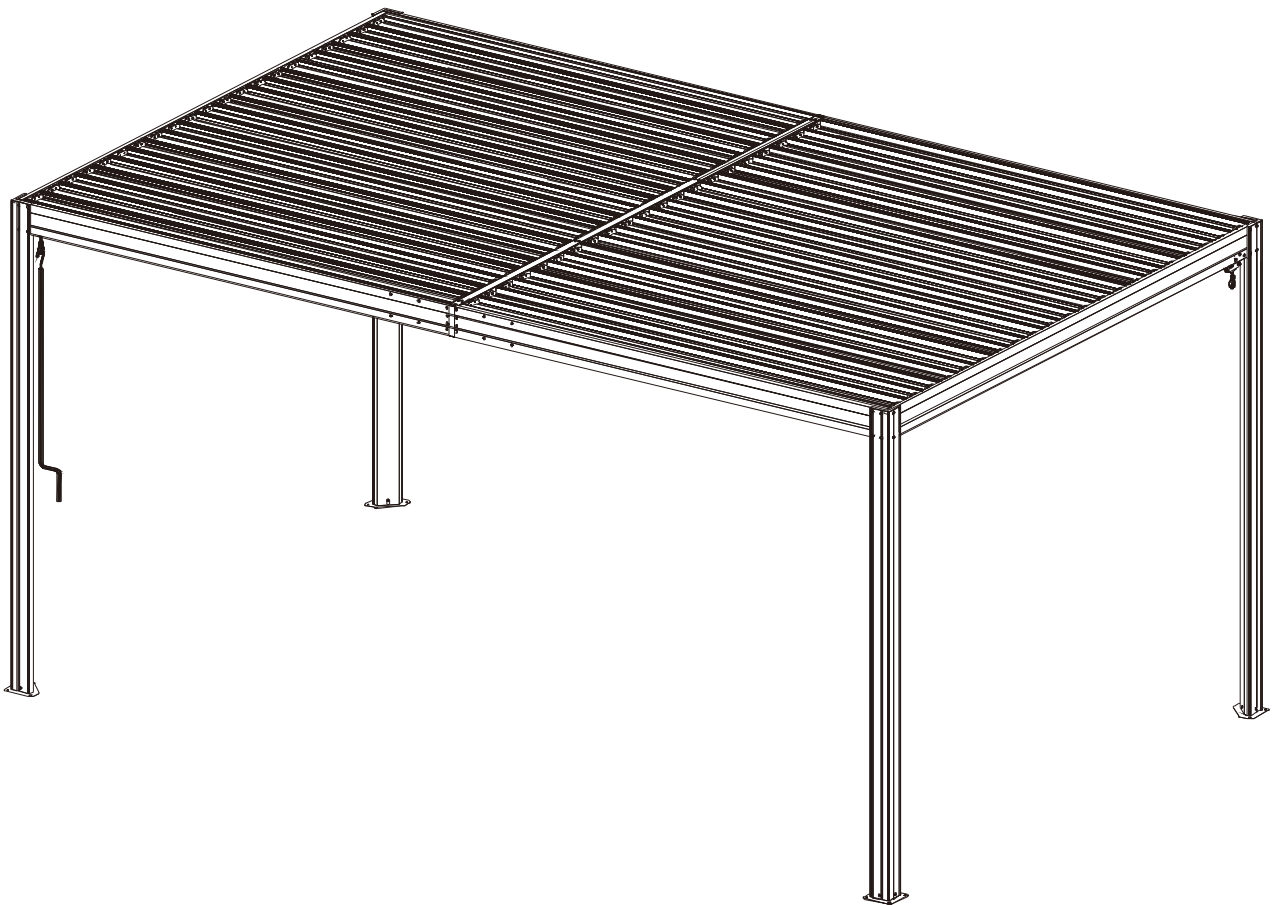
※ If moderate to heavy snow is forecast, pls open the louvers to avoid snow accumulating.





Just shake the roller rod anytime you want let the sun in or block the sunray.

**⚠ (ATTENTION: Louvers can be opened and closed in cycles.)**



**⚠ Please confirm the louvers can be fully closed for waterproofness.**

# Thanks for your purchase.

At domi outdoor living, we believe in our products.

That's why we provide a 12-month warranty and friendly, easy-to-reach after-sales service. So, if you have any questions about our product or assembly, please feel free to contact us. We are here for you.

**Support:**  

**After-sales contact email:**

[service@domioutdoorliving.com](mailto:service@domioutdoorliving.com)

Please have your order ID available if you reach out for support.

If you have damaged parts or product, please send us photos for an immediate response.