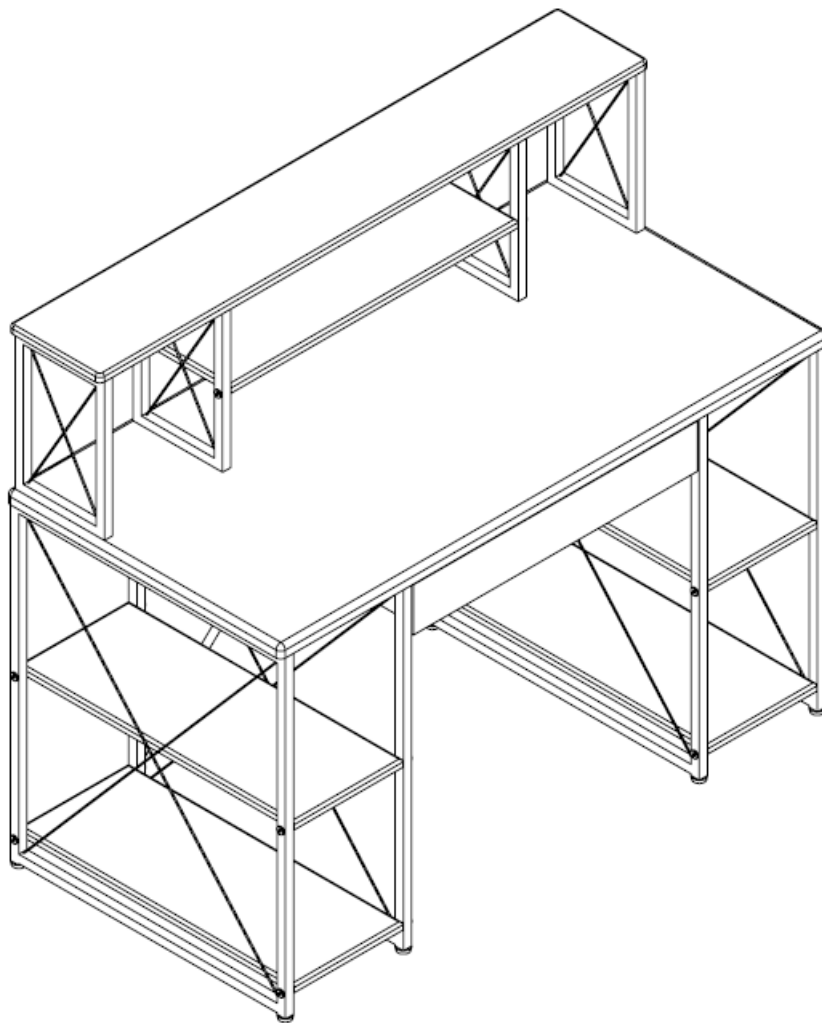
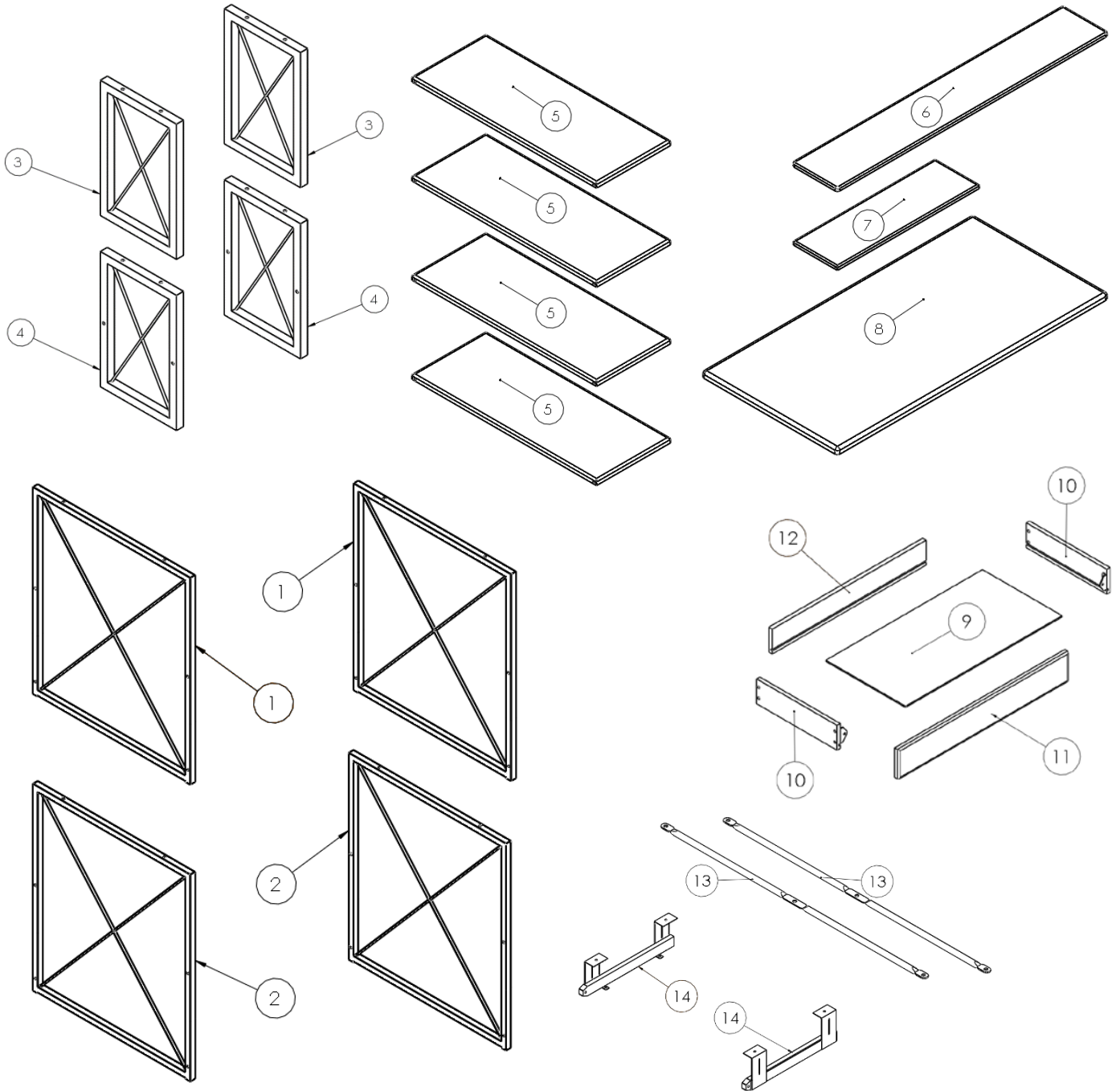






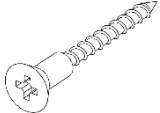
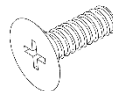




# ASSEMBLY INSTRUCTION

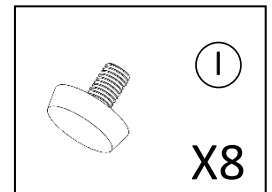
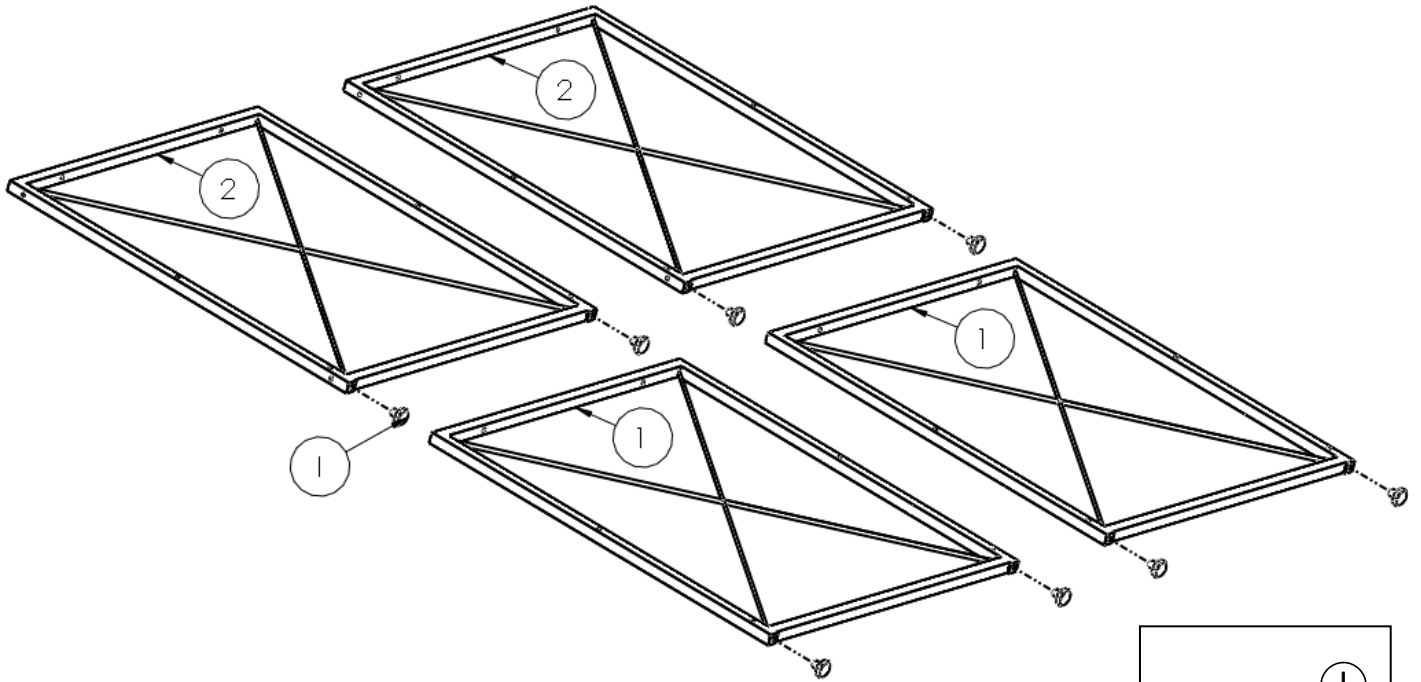


# PARTS

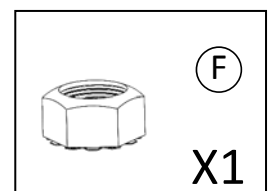
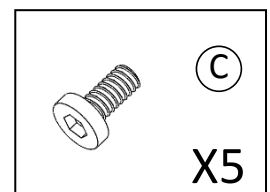
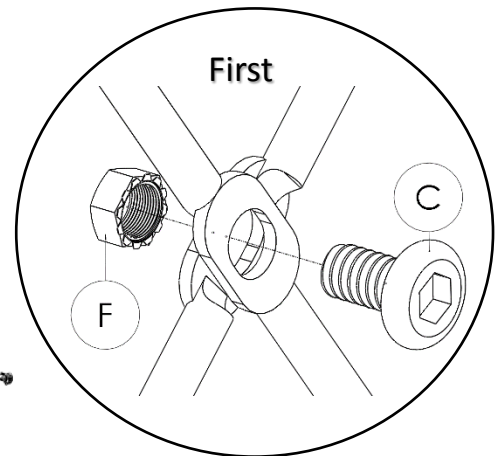
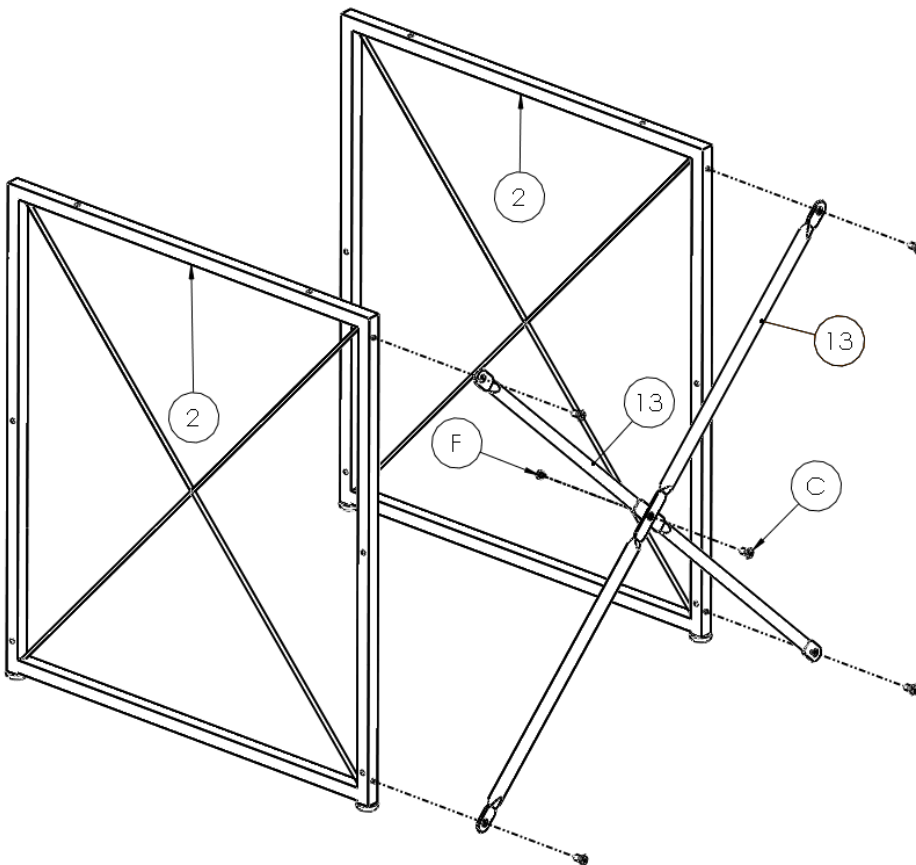


No.		No.		No.		No.					
(A)		4	(B)		12	(C)		9	(D)		20
(E)		4	(F)		1	(G)		4	(H)		2
(I)		8	(J)		1						

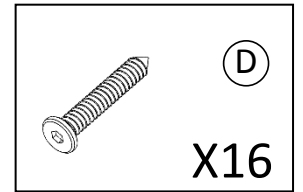
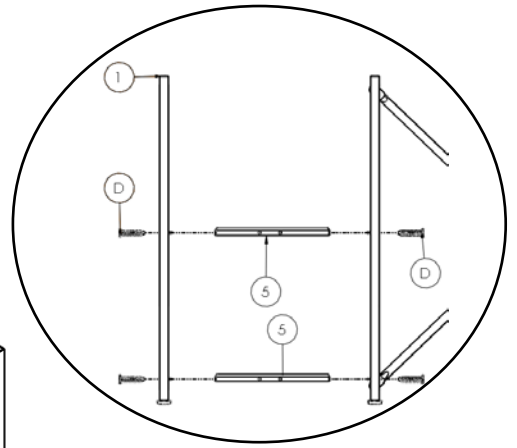
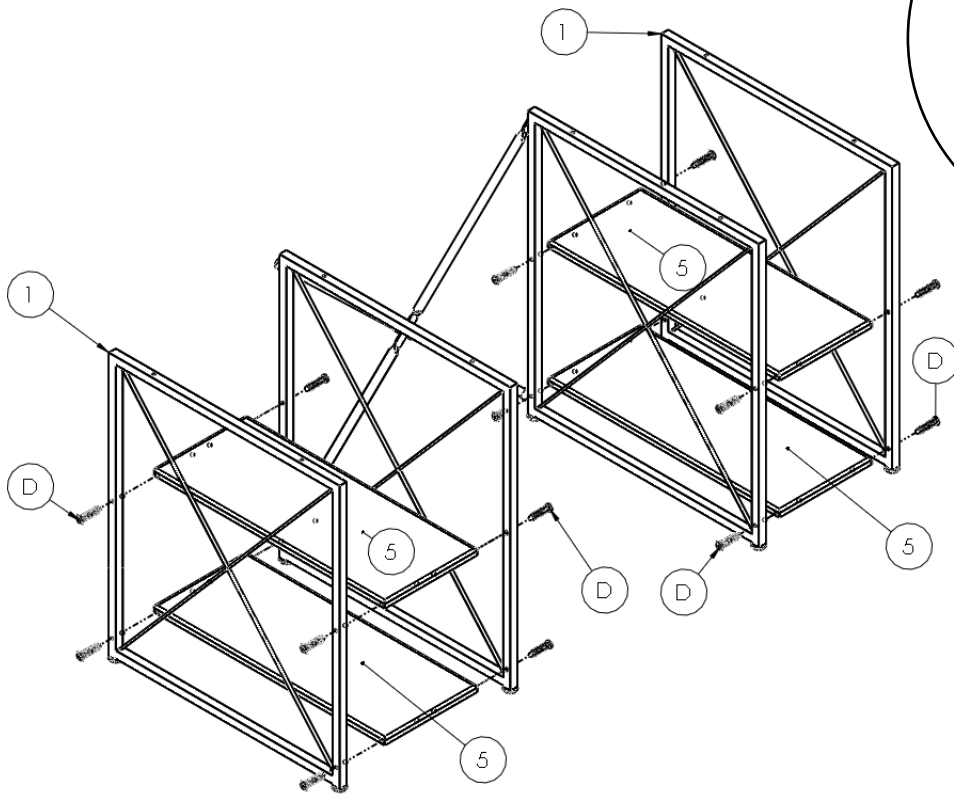
# STEP.1



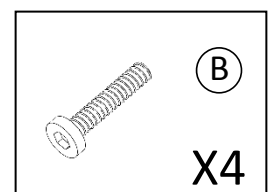
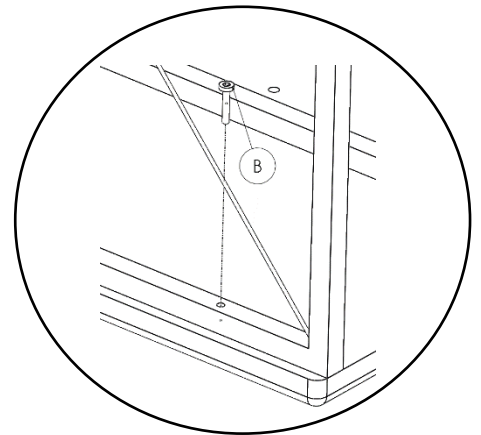
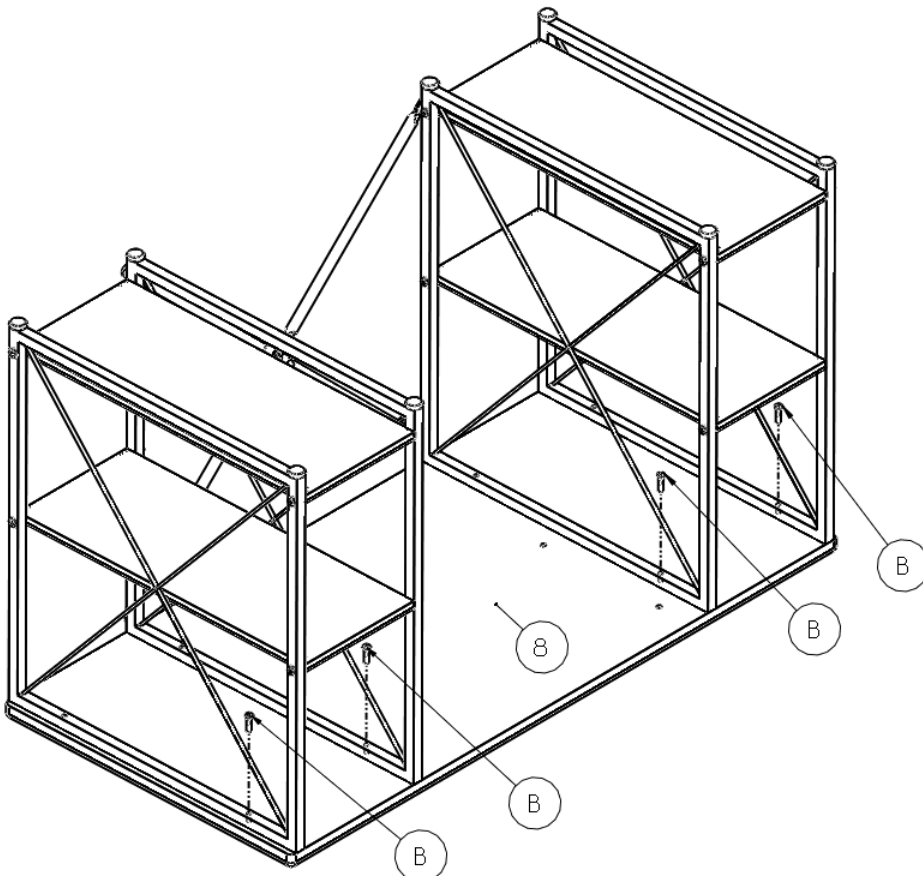
# STEP.2



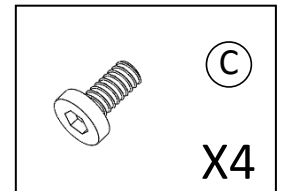
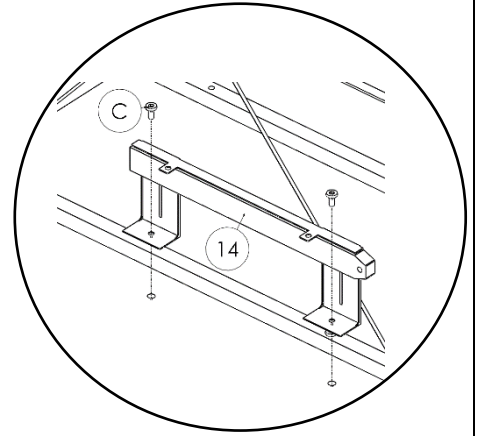
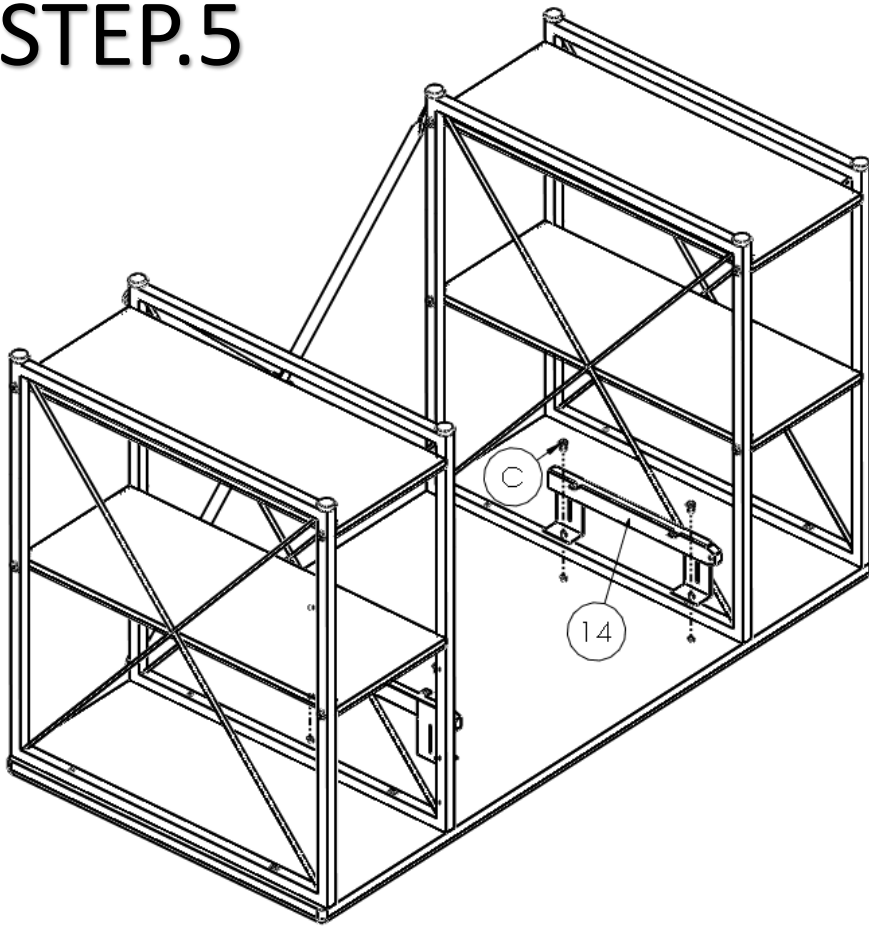
# STEP.3



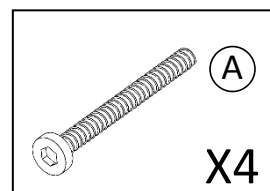
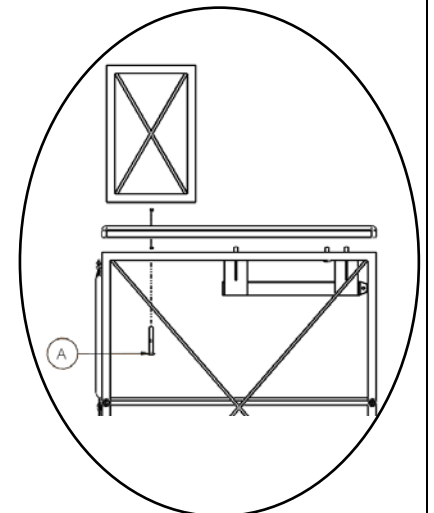
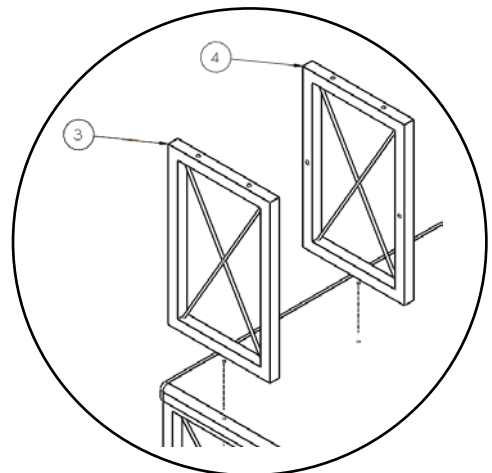
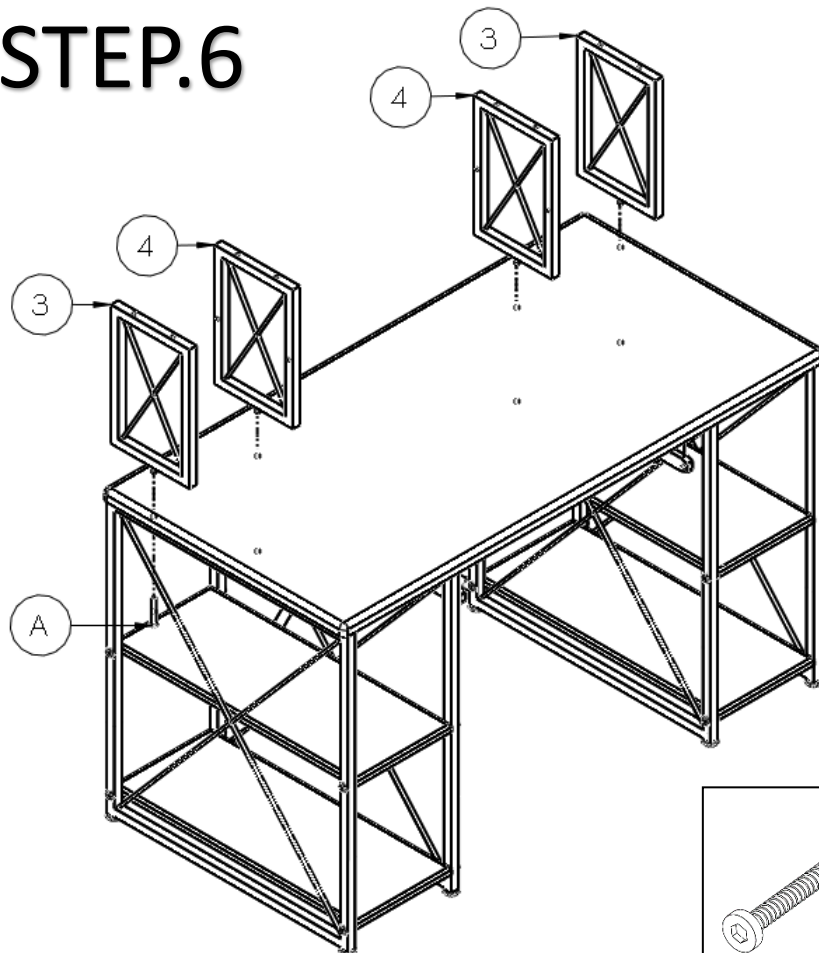
# STEP.4



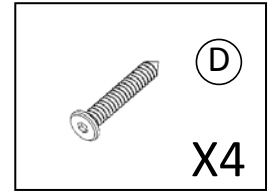
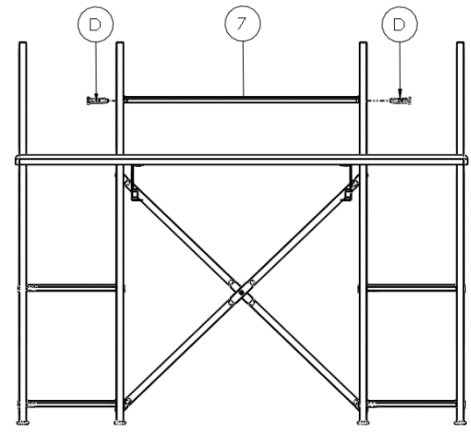
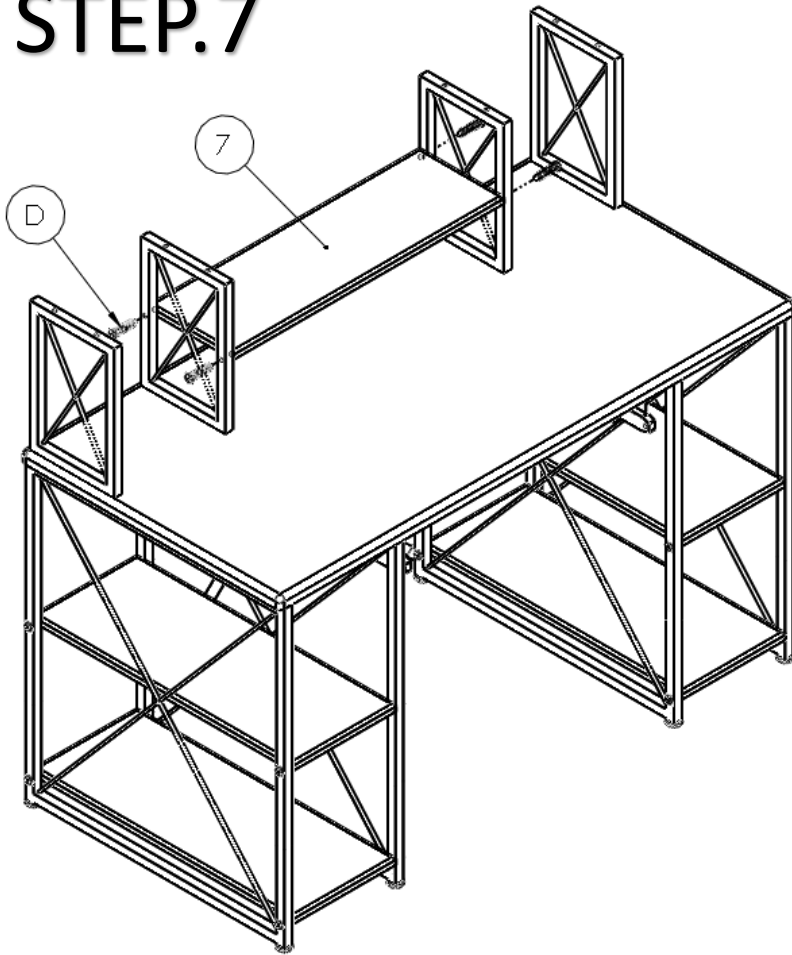
# STEP.5



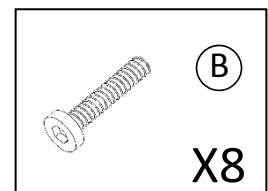
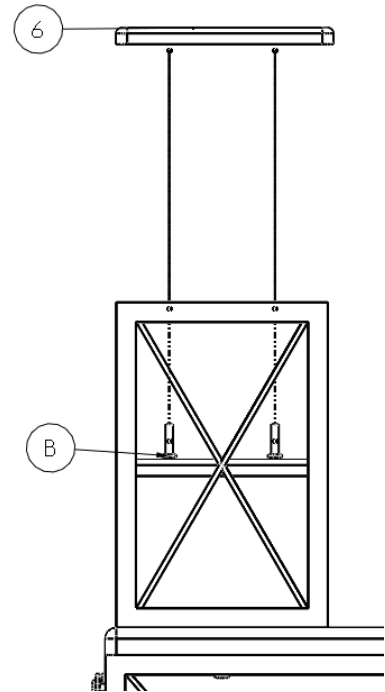
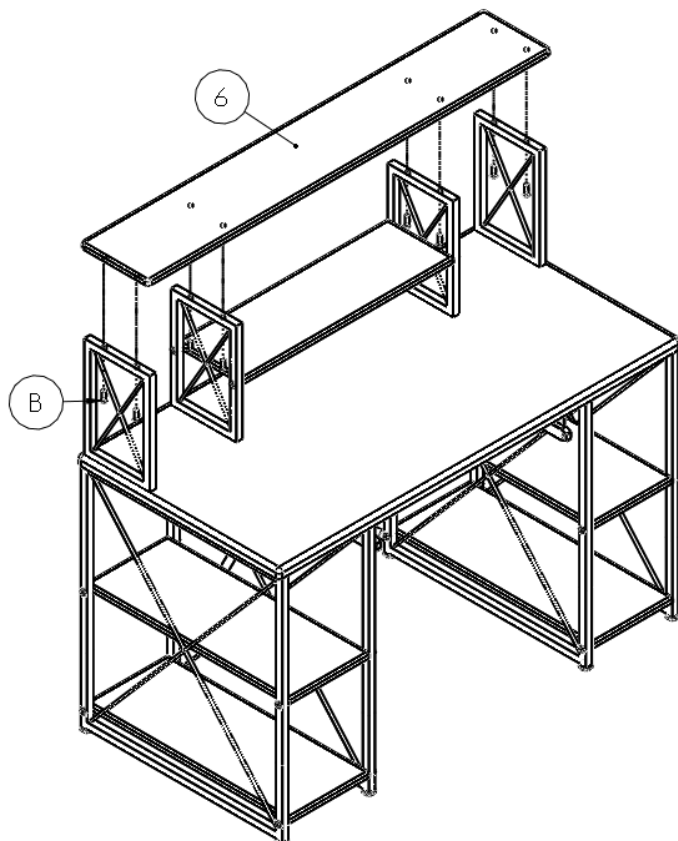
# STEP.6



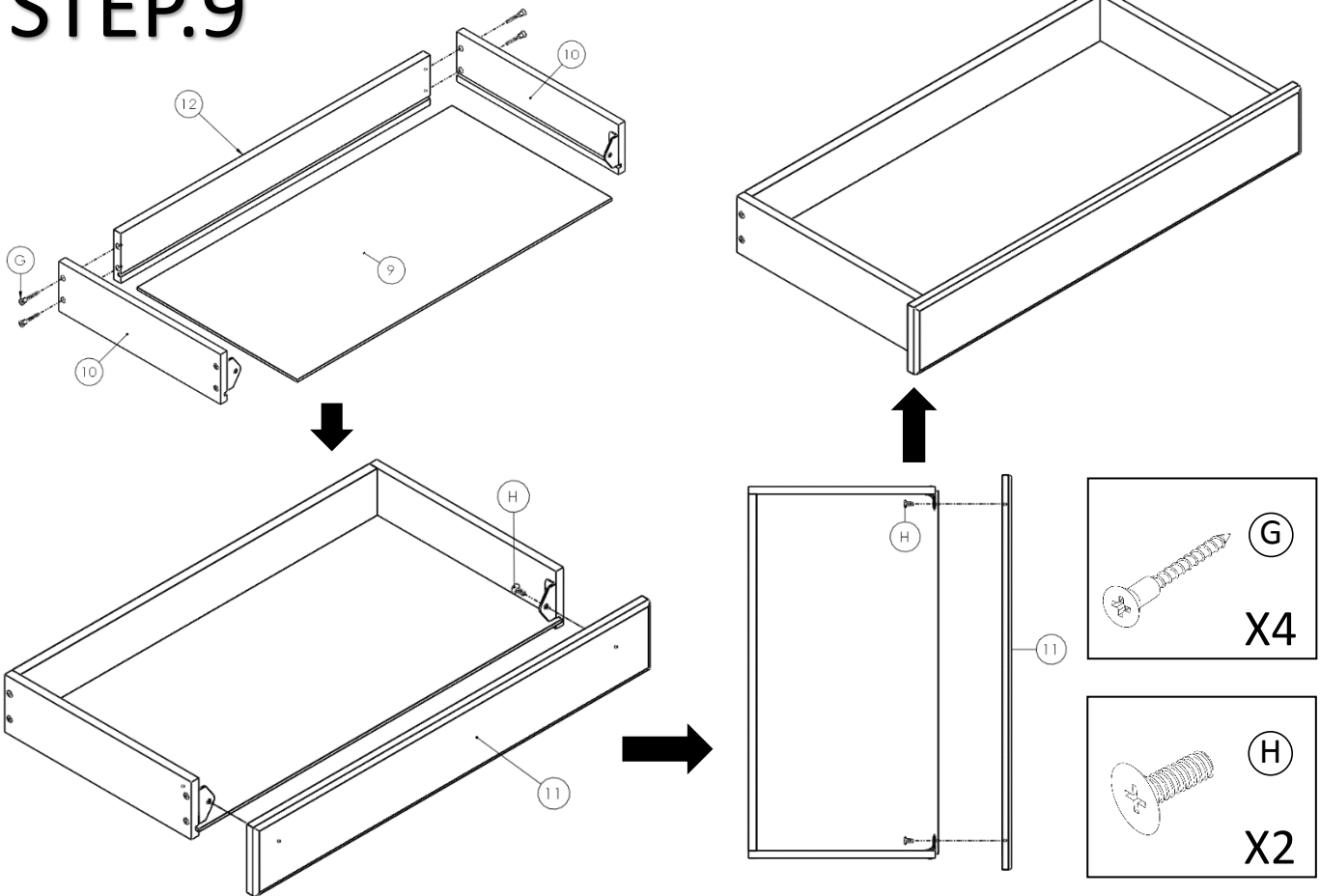
# STEP.7



# STEP.8



# STEP.9



# STEP.10

