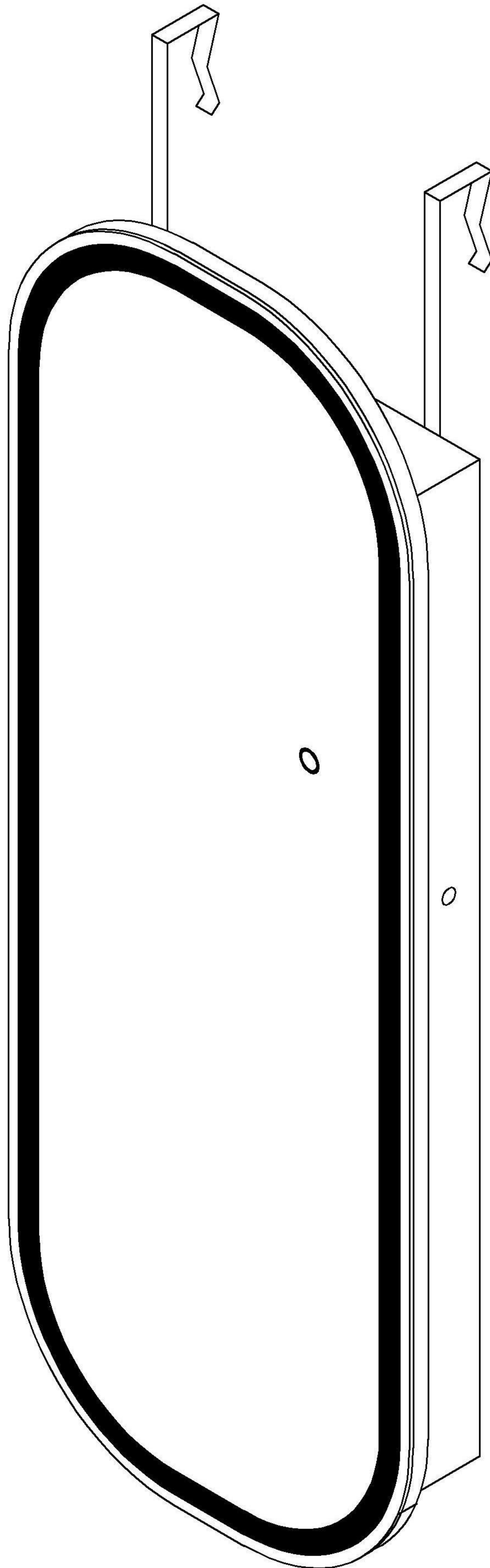


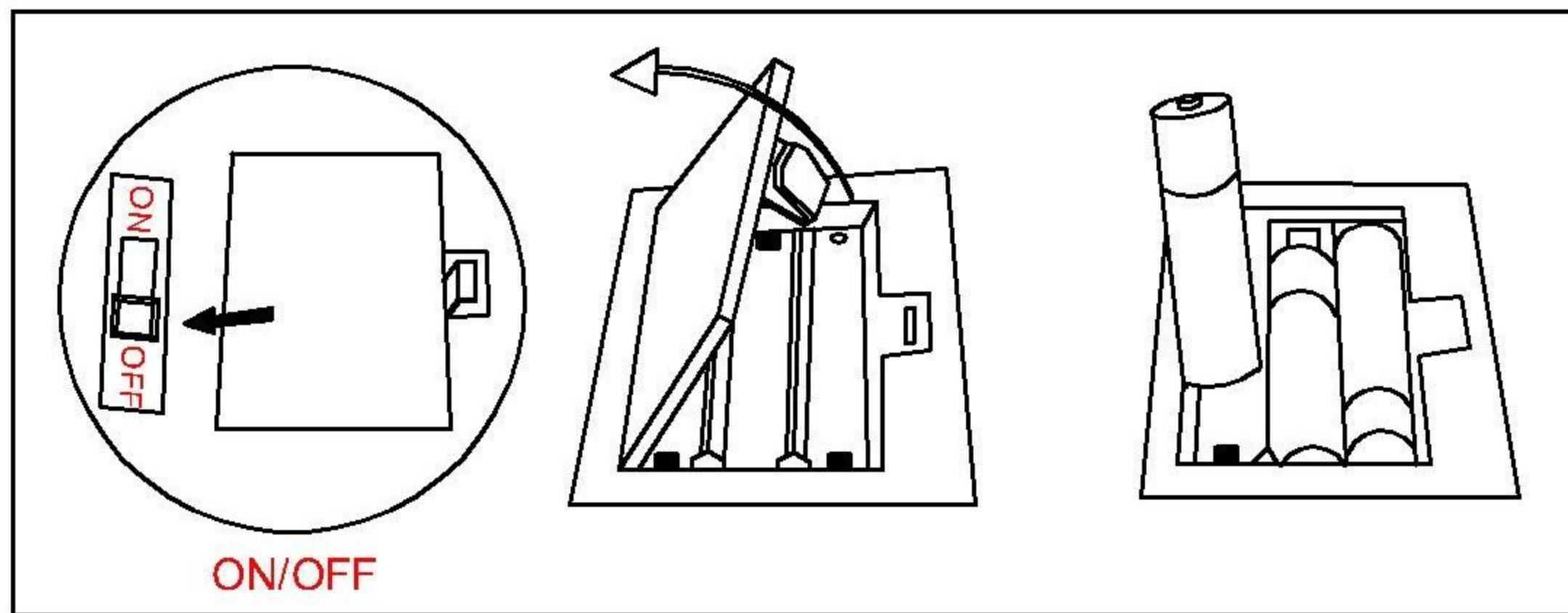
MIRROR JEWELLERY CABINET



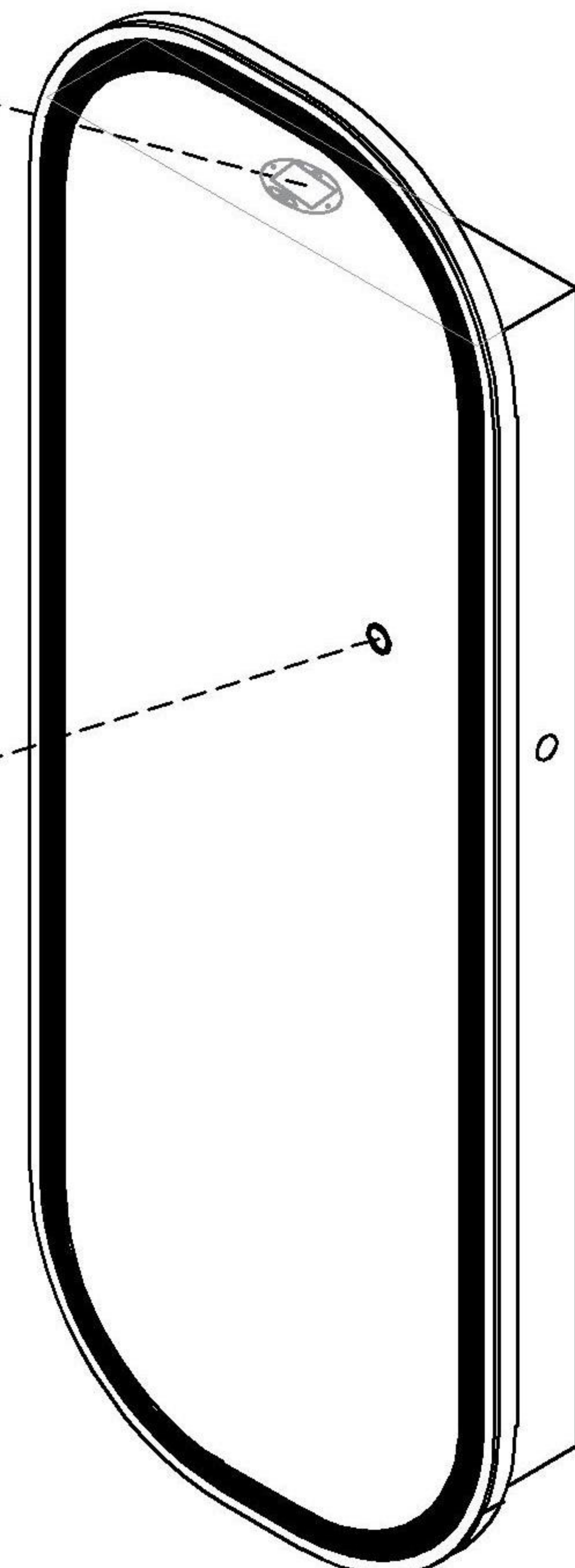
A		Short Screw(6*14mm)	4 Pcs
B		The key	1 Pcs
C		Hook	2 Pcs
D		Long Screw(4x45mm)	2 Pcs
E		Wall Anchors	2 Pcs
F		Sponge gasket	4 Pcs
G		Adhesive Velcro	1 Pcs
H		The power adapter(12V 3A)	1 Pcs

Battery installation



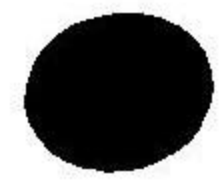
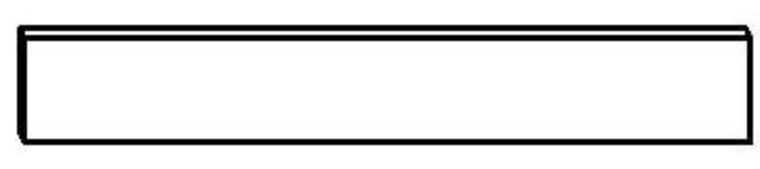
(Tip: use 3 AAA Batteries)

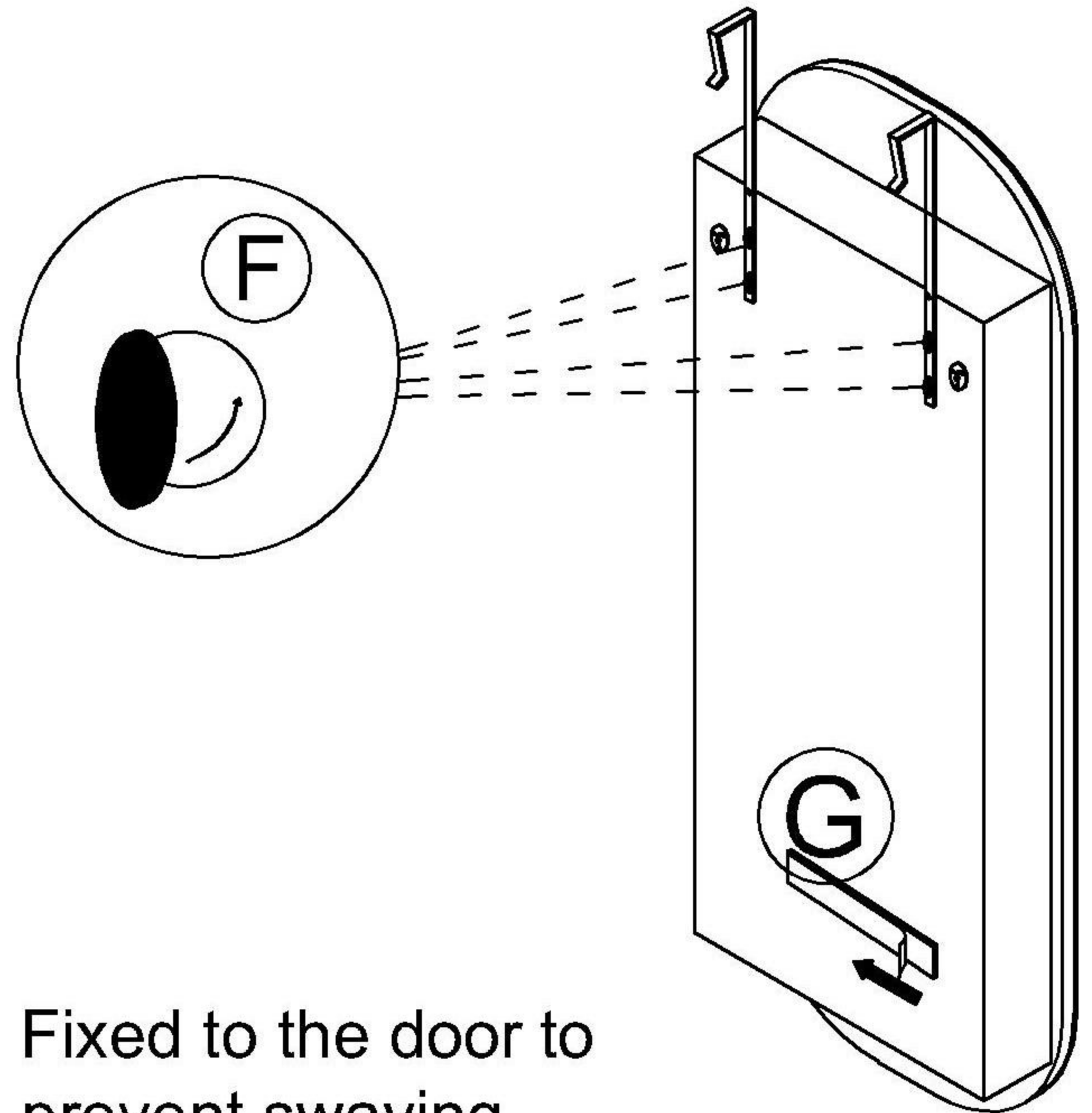
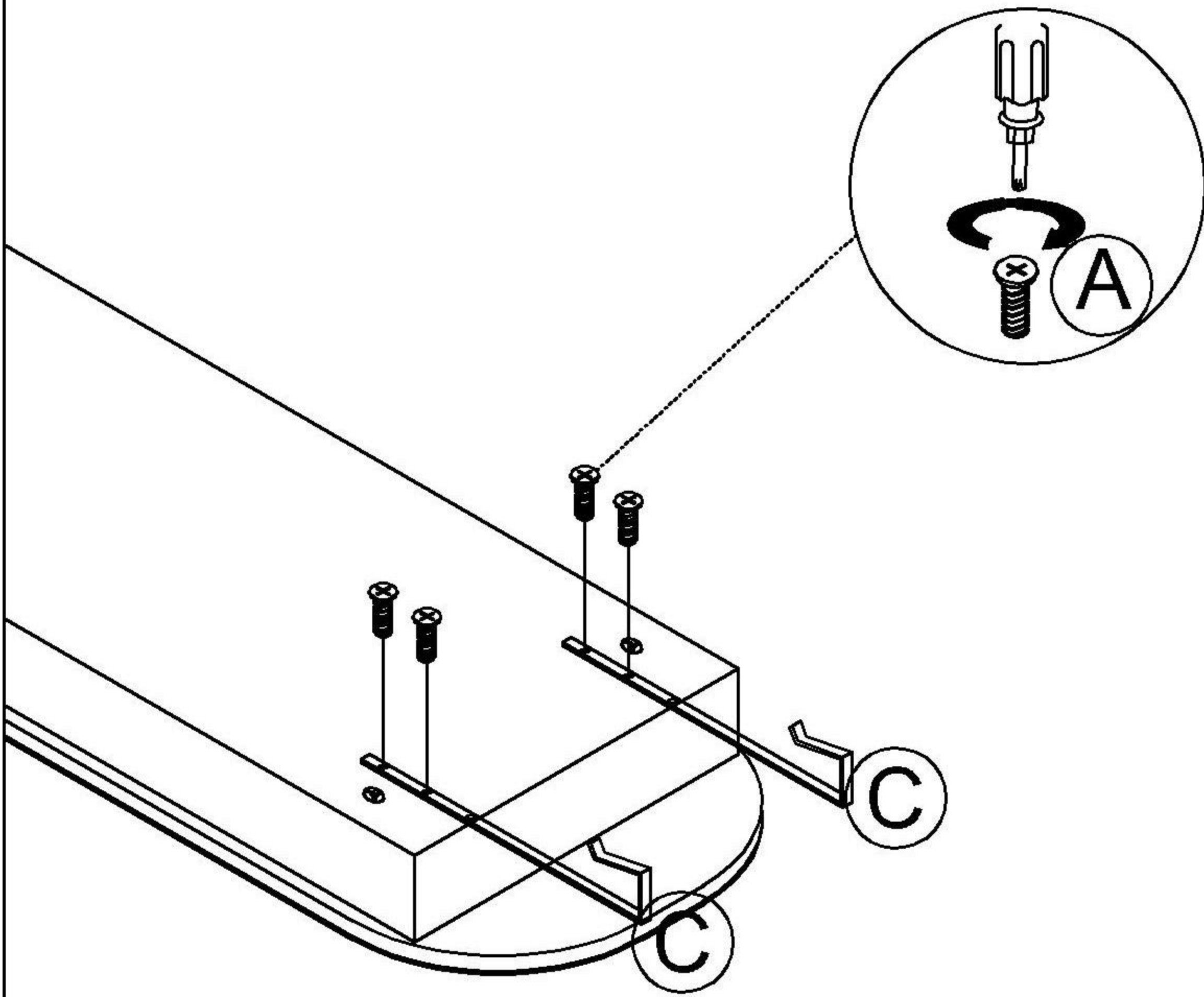


In the light-off state, long press the indicator button to turn off the indicator light.

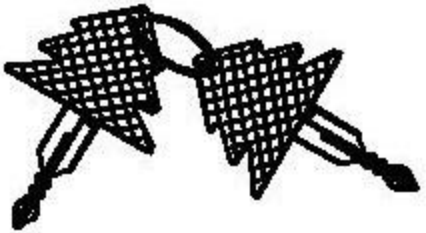
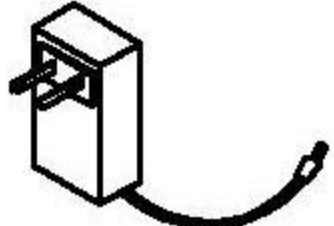


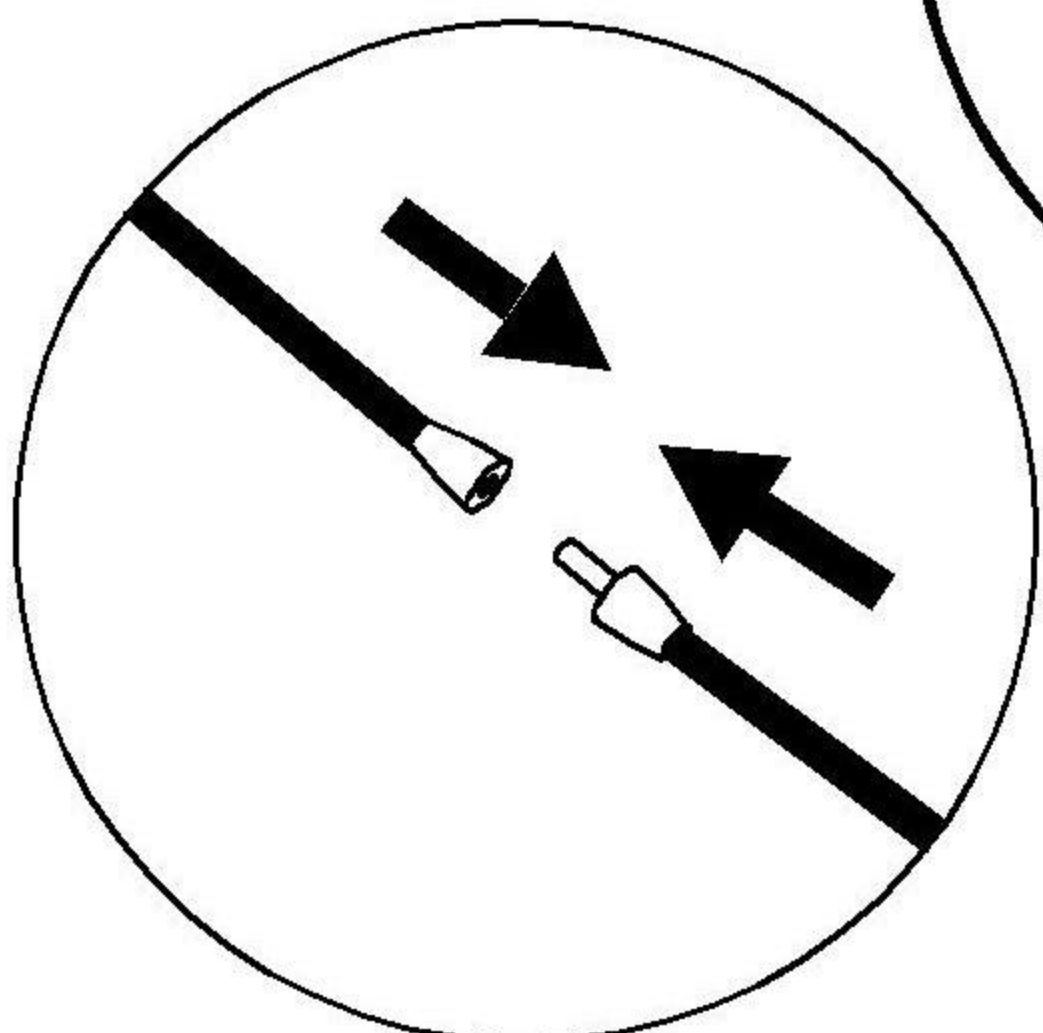
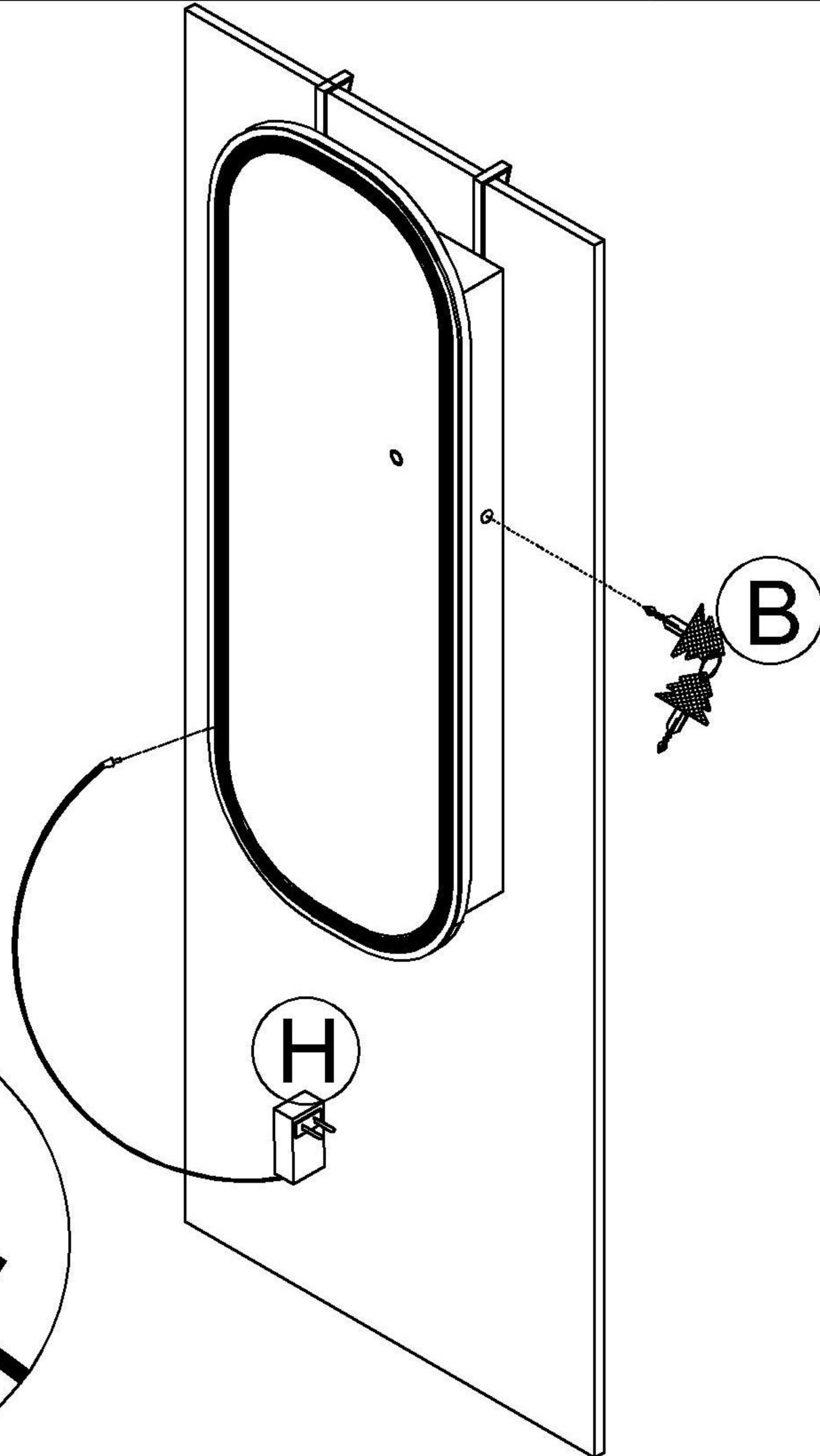
Over The Door

(A)		x 4
(C)		x 2
(F)		x 4
(G)		x 1



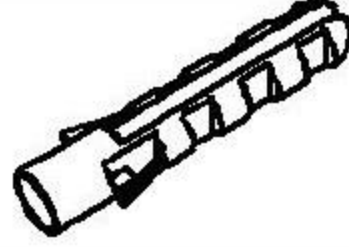
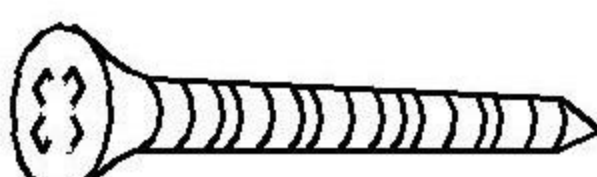
Fixed to the door to prevent swaying.

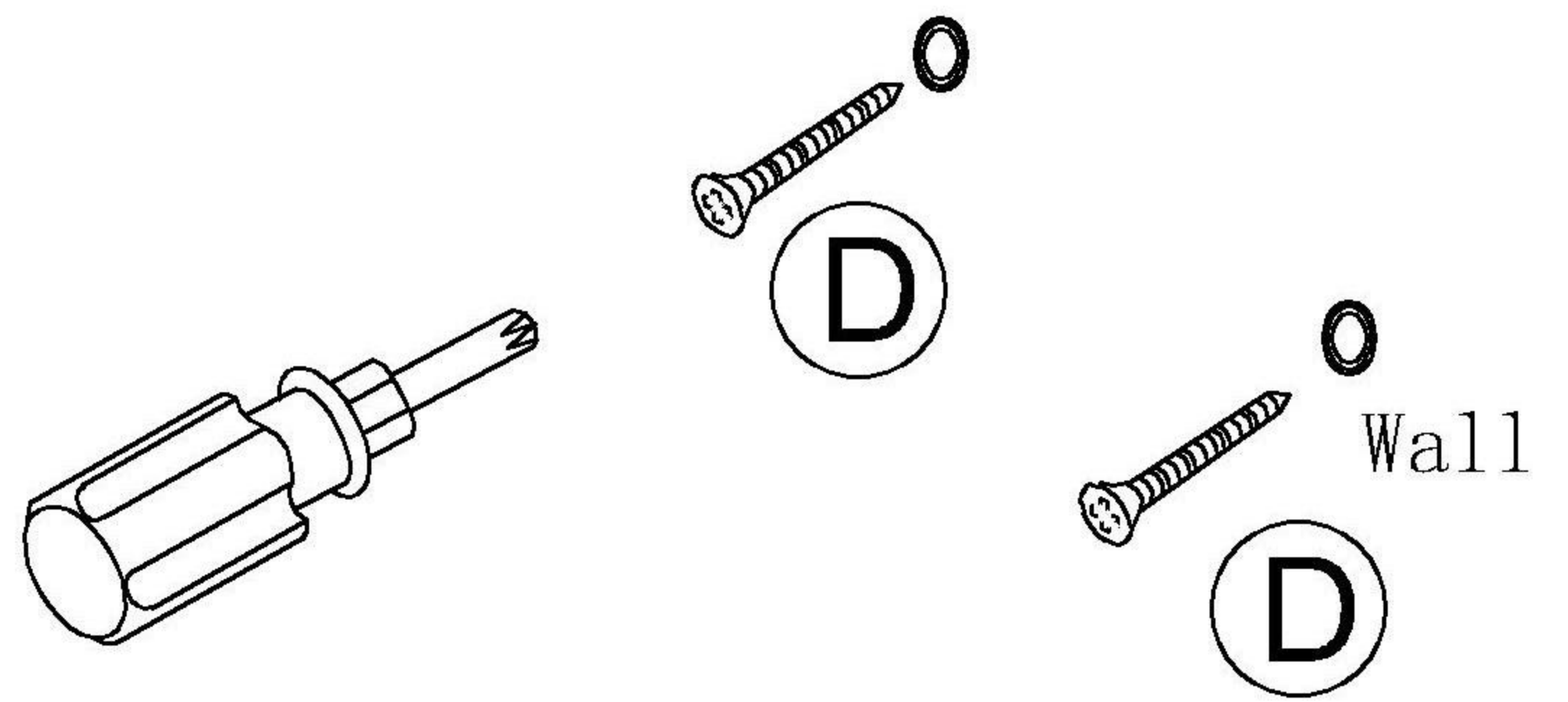
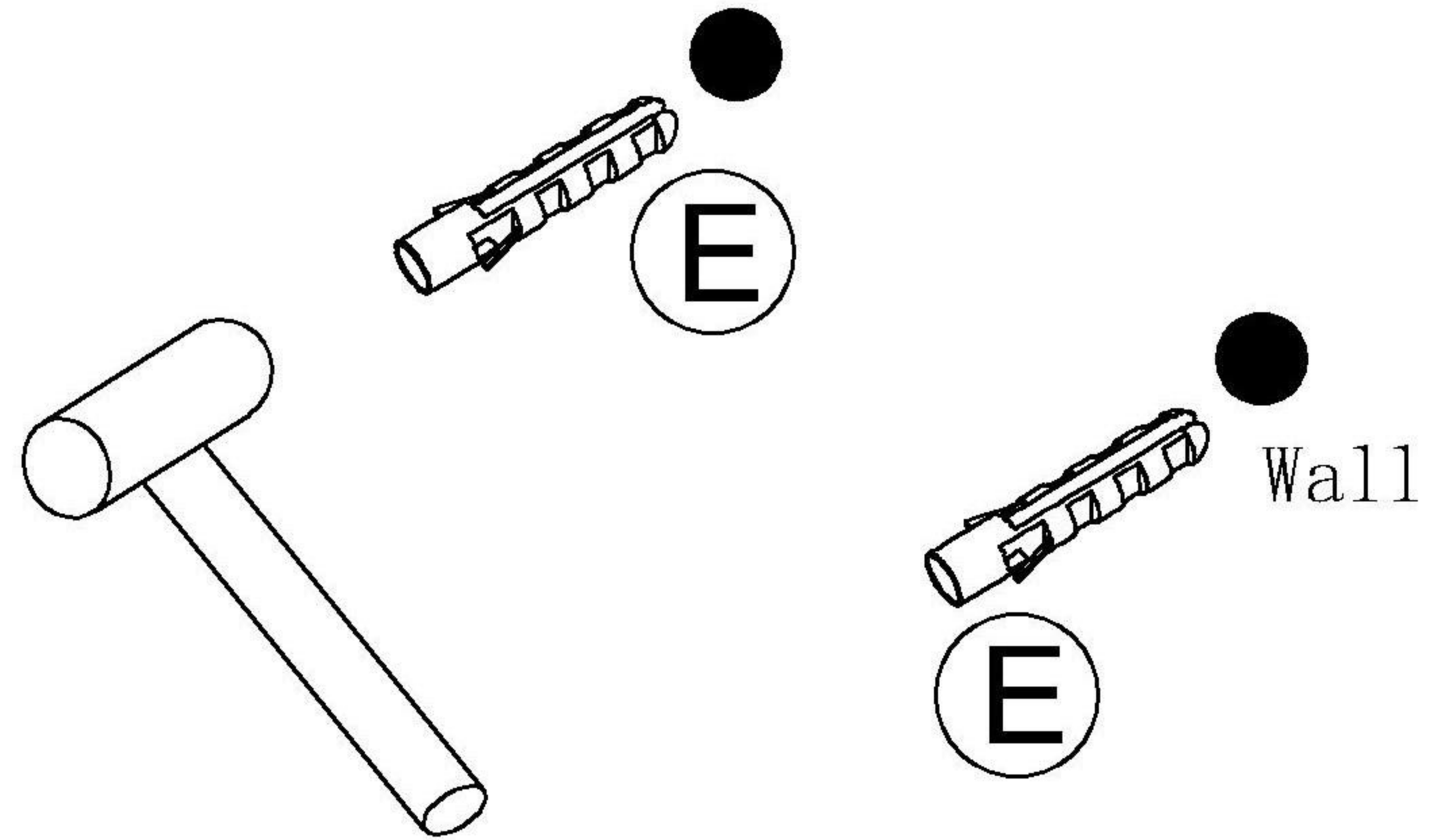
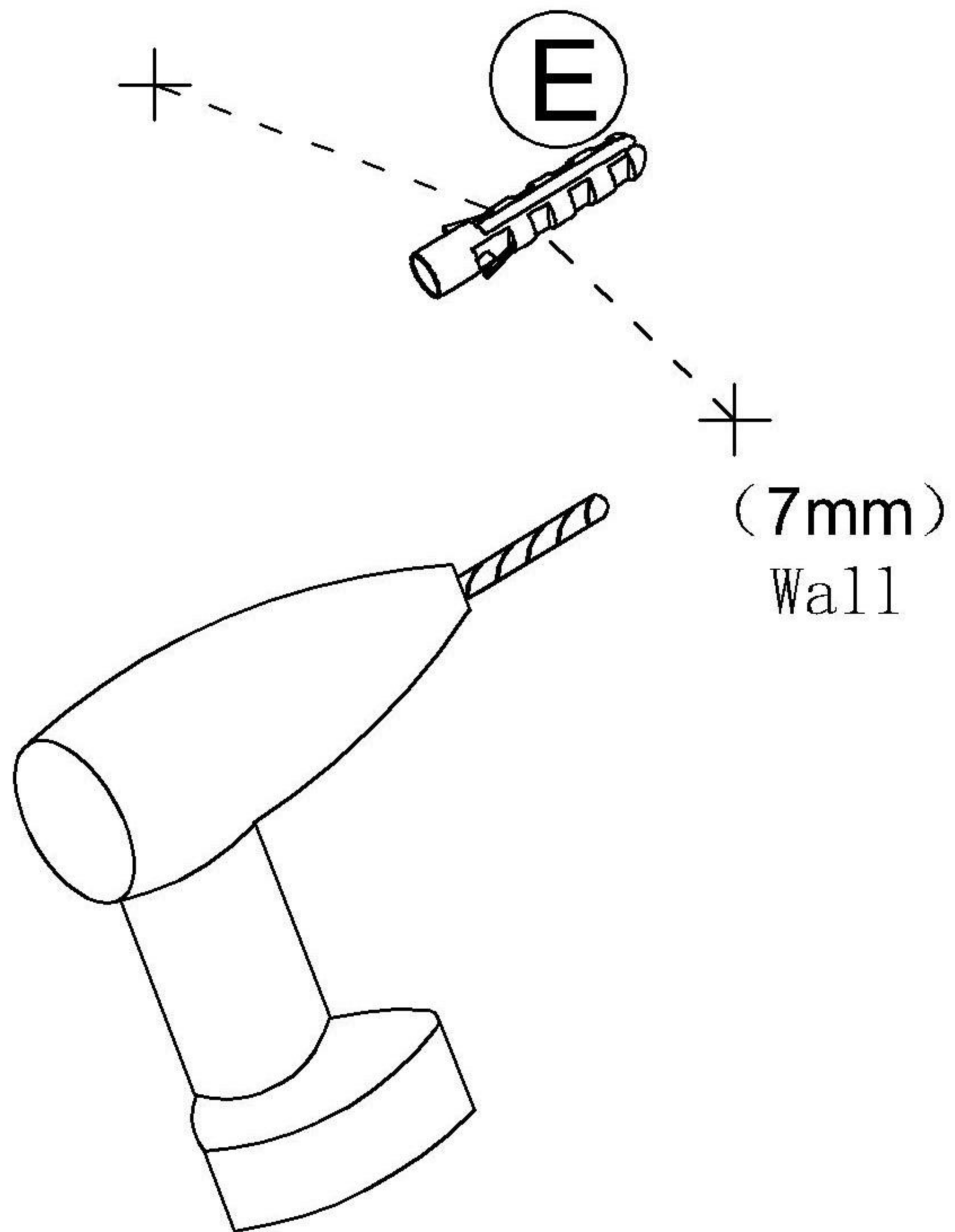
(B)		x 1
(H)		x 1

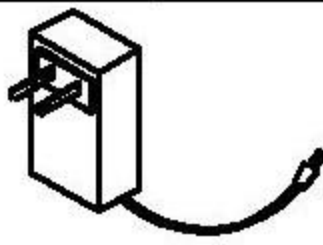
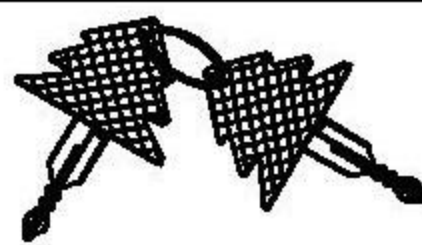
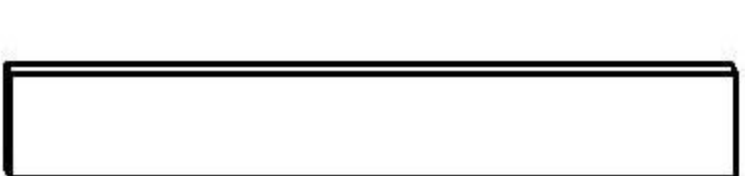


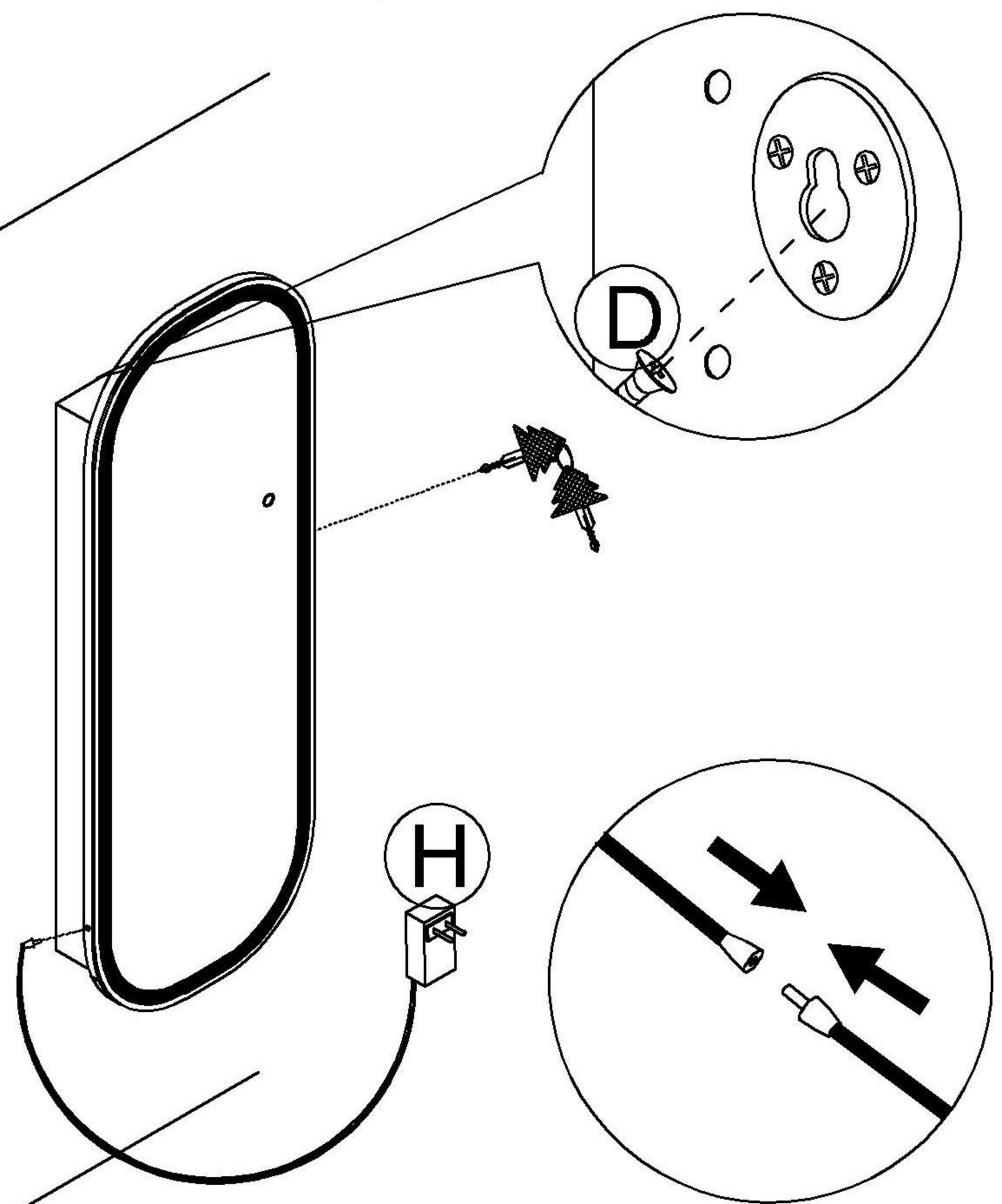
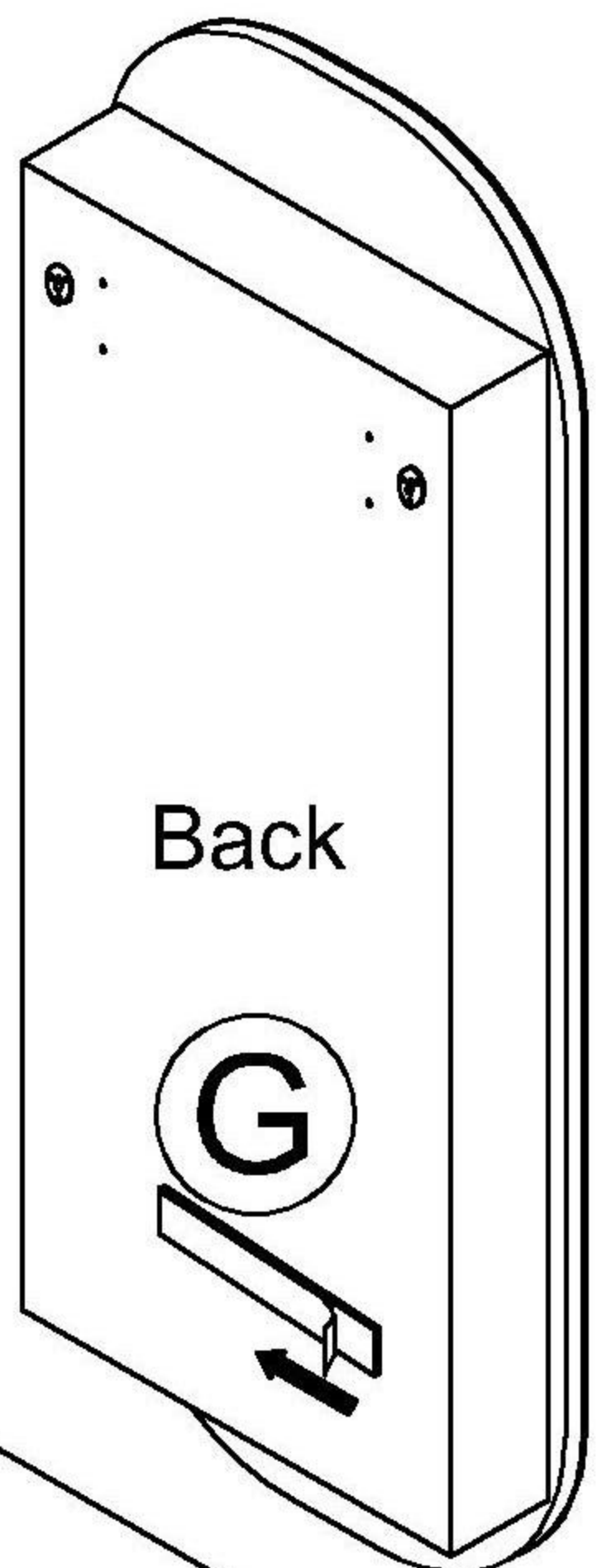
Wall Mount

(Tip: Please use your own tools)

(E)		x 2
(D)		x 2



(H)		x 1	(B)		x 1
			(G)		x 1



Fixed to the wall to prevent shaking