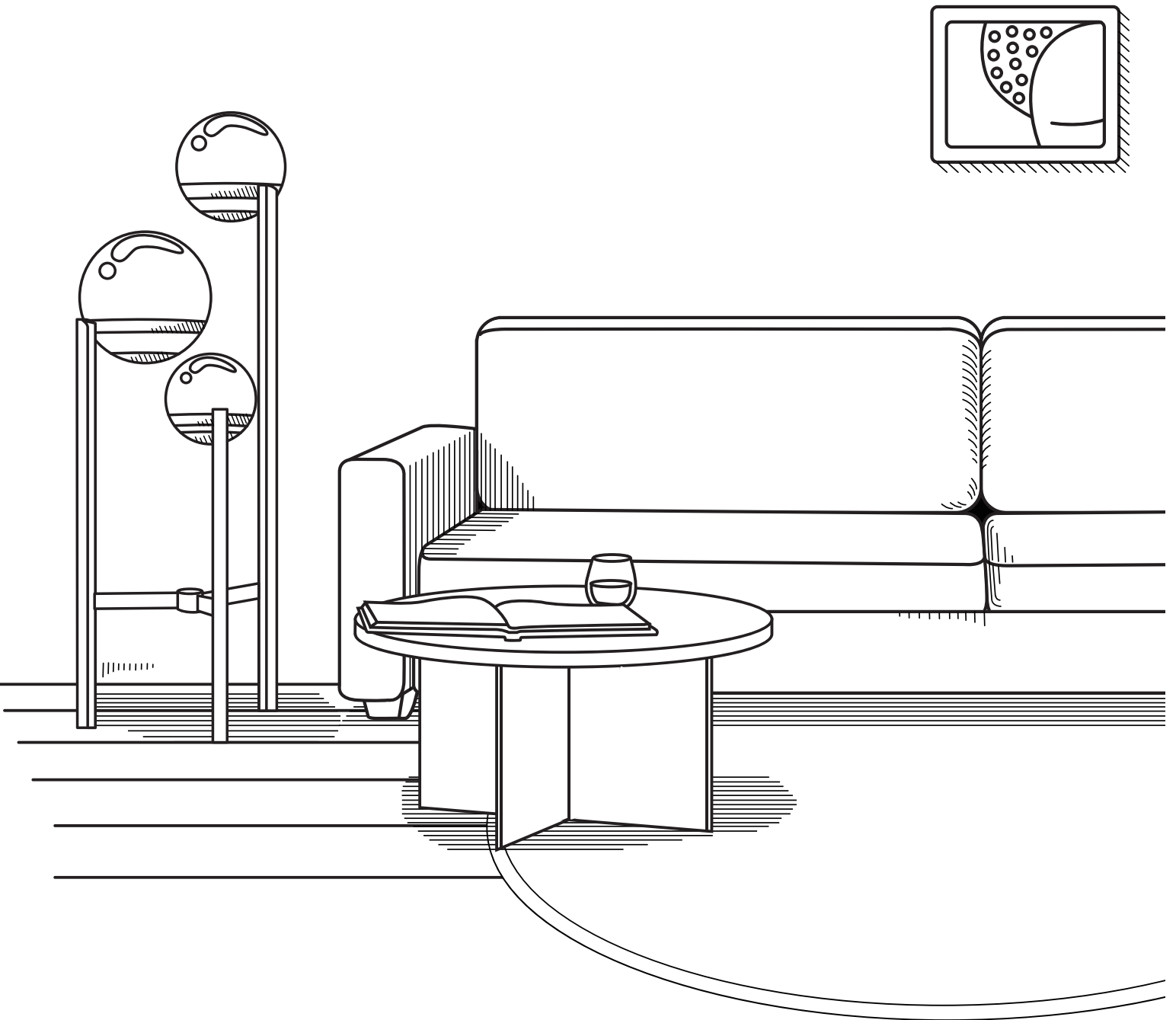


Sofa

Complete drawing display



Model: C003-2

Safety And Care Advice

Important - Please read these instructions carefully before installing

Thank you for choosing our product.

Assemble and operate this product with care. Please read this instruction before beginning the installation, and carefully follow all instructions contained herein.

Use proper safety equipment during installation. Choose a clean, level, spacious assembly area. Avoid hard surfaces that may damage the product.

Take care when lifting. Ensure that you have all required contents for complete assembly.

Please keep the instruction manual properly

For inquiries, technical support, or warranty claims, please contact our customer services team. We hope this manual provides you with all the necessary information to use and maintain your product effectively. Happy life!

Warnings :

Children are not allowed to assemble the product. During assembly, keep all small parts out of the reach of children as they may be fatal if swallowed or inhaled.

Do not place in front of a fire or other heat source.



After-sales
service



Fast installation



Teamwork
Recommended



The product parts are packed in two separate cartons. Please wait to receive both complete cartons before proceeding with the installation.

Maintenance and Cleaning Methods

Regular Wiping: Use a soft, damp cloth to wipe down the PU leather sofa regularly to remove dust and spills. This helps prevent dirt buildup and maintains the sofa's appearance.

Avoid Harsh Chemicals: Refrain from using harsh chemicals or abrasive cleaners on PU leather, as they can damage the material's finish. Stick to mild soap and water for cleaning, and always test any new cleaner on a small, inconspicuous area first.

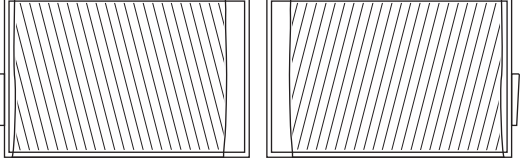
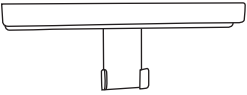
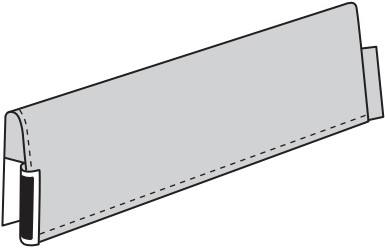
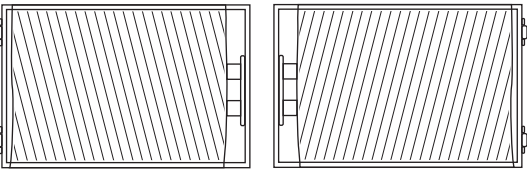


Protect from Sunlight: Position the PU leather sofa away from direct sunlight and heat sources to prevent fading and drying out of the material. Consider using curtains or blinds to shield the sofa from intense sunlight during peak hours.

Handle with Care: Be gentle when using the sofa, avoiding sharp objects or rough surfaces that could scratch or puncture the PU leather. Encourage family members and guests to be mindful of their actions to prevent accidental damage.

Conditioning (Optional): While PU leather doesn't require conditioning like genuine leather, you may choose to use a specialized PU leather conditioner occasionally to maintain its suppleness and prevent cracking. Follow the product instructions carefully and apply sparingly.

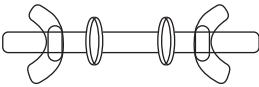
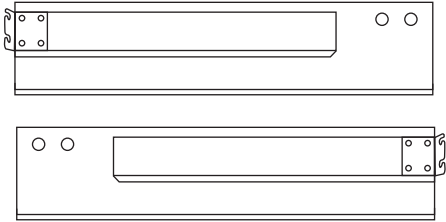

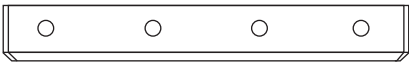
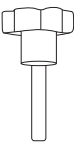
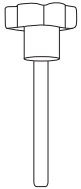
Parts List

The parts list is shown below

illustration	description	quantity
	Backrest	A×1
	Fixed support	B×2
	Backrest cover	C×1
	Seat frame	D×1
	Long support leg	E×1
	Short support leg	F×1

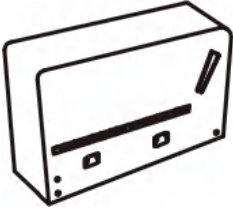
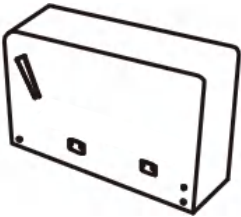
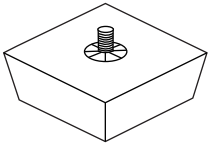
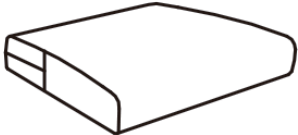
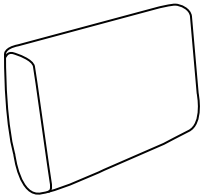
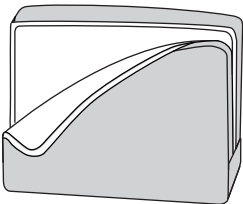
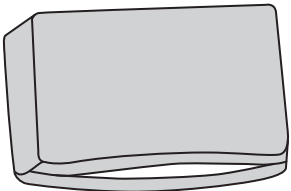
Parts List

The parts list is shown below

illustration	description	quantity
	screw	G×4
	Front panel	H×1
	Front panel cover	I×1
	Connecting rod	J×1
	Short screw	K×4
	Long screw	L×2

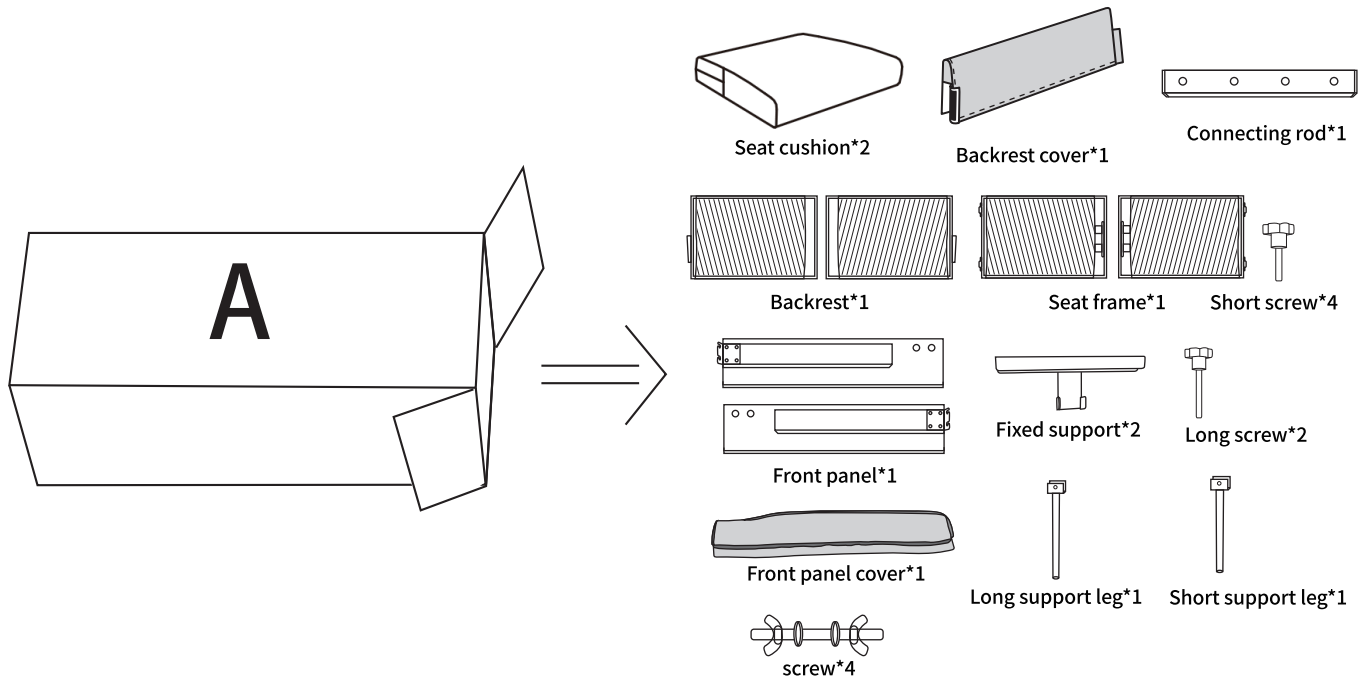
Parts List

The parts list is shown below

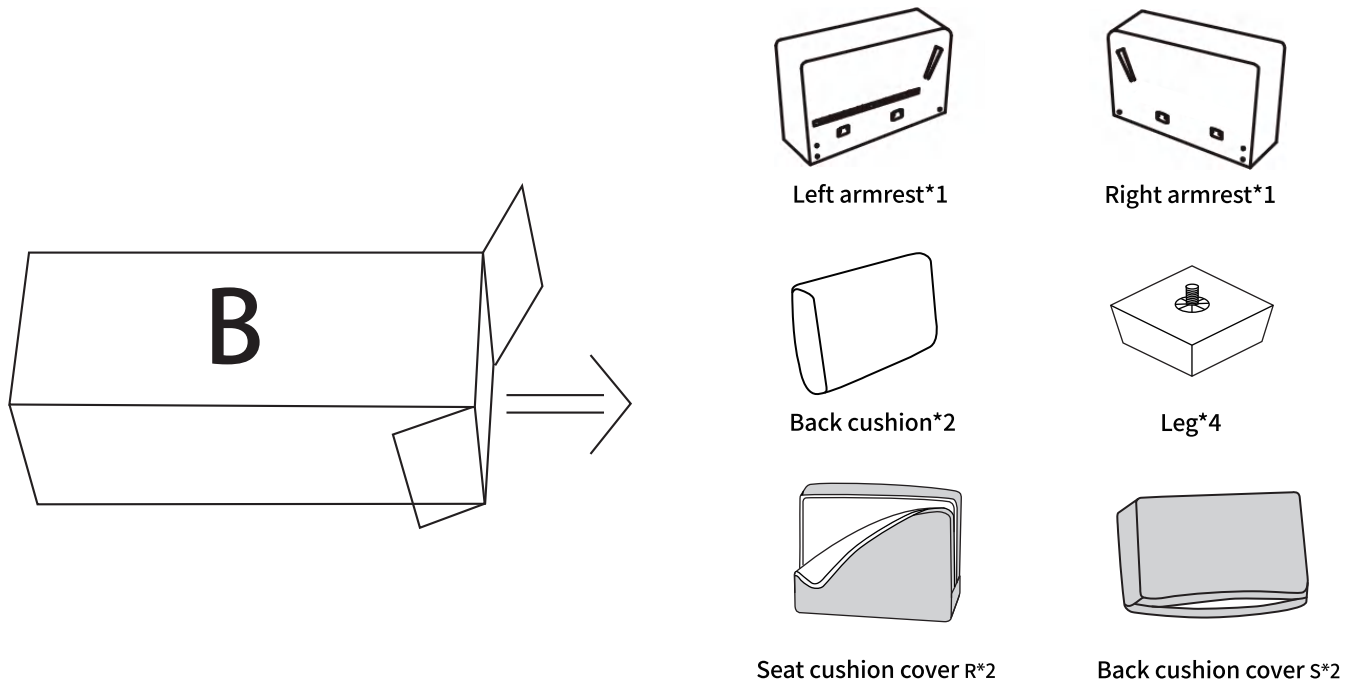
illustration	description	quantity
	Left armrest	M×1
	Right armrest	N×1
	Leg	O×4
	Seat cushion	P×2
	Back cushion	Q×2
	Seat cushion cover	R×2
	Back cushion cover	S×2

Installation Procedure

Specific operations are shown in the following figure



STEP 1: Take out the items from box A

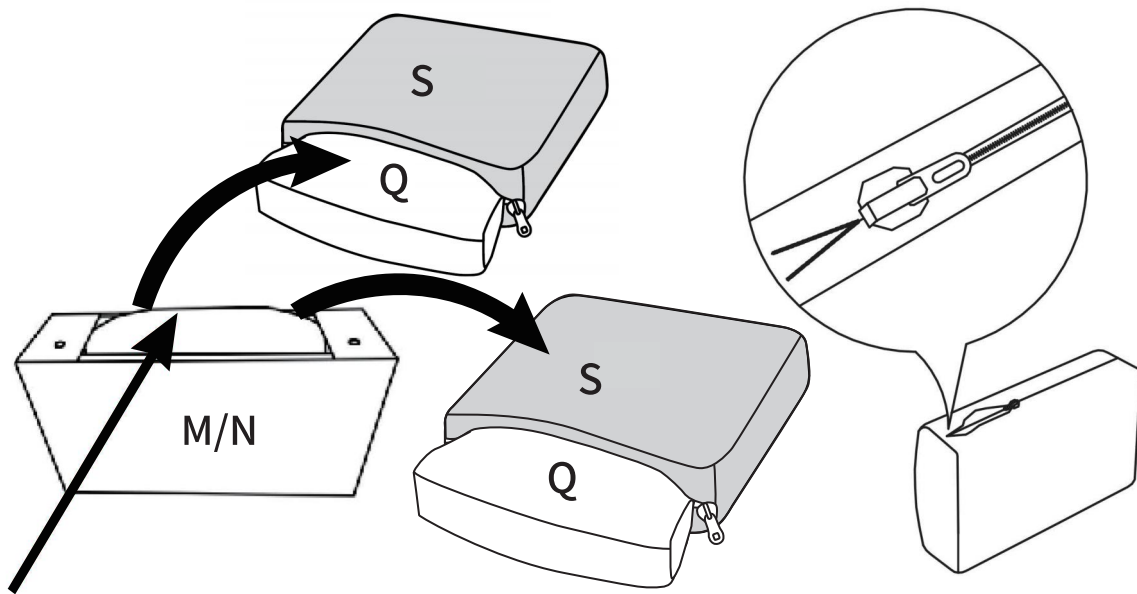


STEP 2: Take out the items from box B

Installation Procedure

Specific operations are shown in the following figure

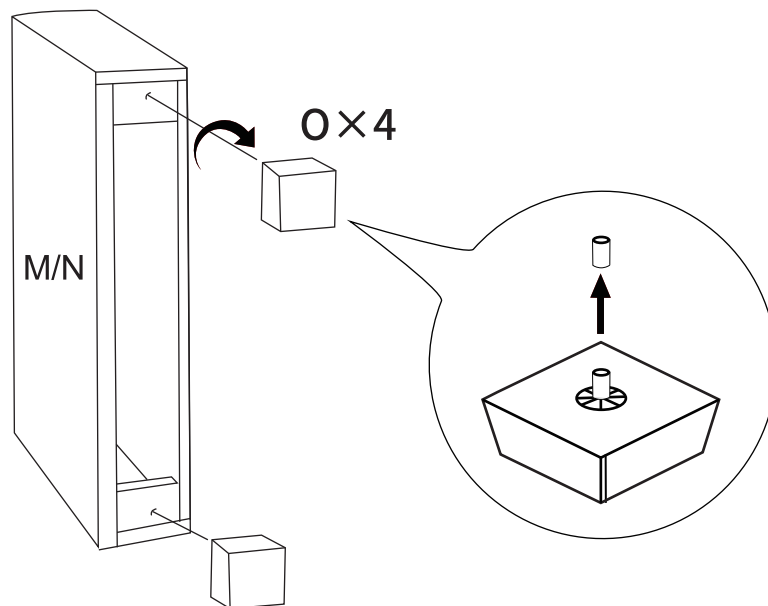
Assmble 2 back cushions



STEP 3: Remove the back cushions from the inside of each arm. Stuff the back cushion into the cover and zip it up.

Note: The back cushion covers are in the arms, there are 2 kinds of covers and the back cushion cover is smaller.

Assmble the 4 legs on the two armrest(M and N)

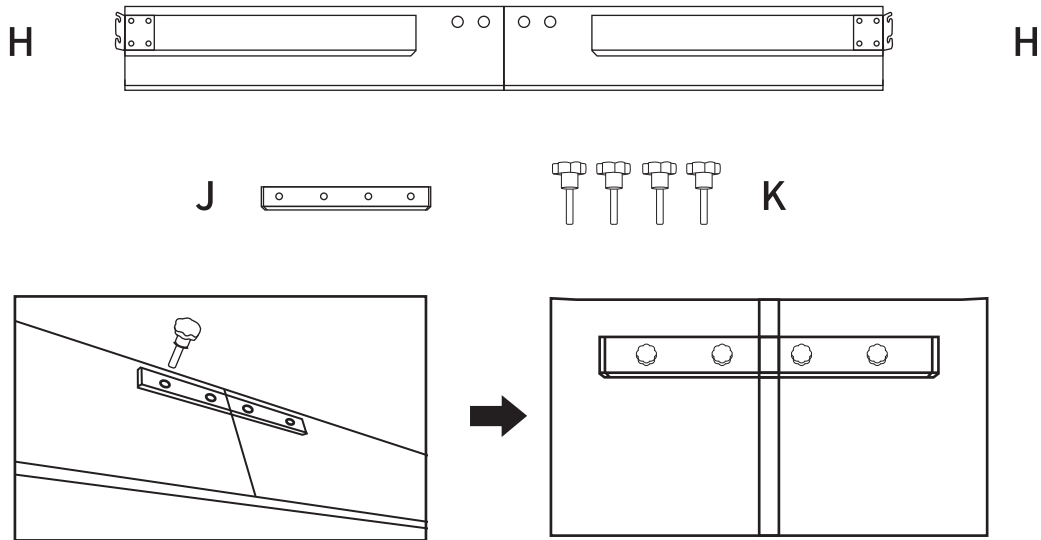


STEP 4: Remove the plastic caps on the bolts of each leg. Flip the arms upside down to screw the legs.

Installation Procedure

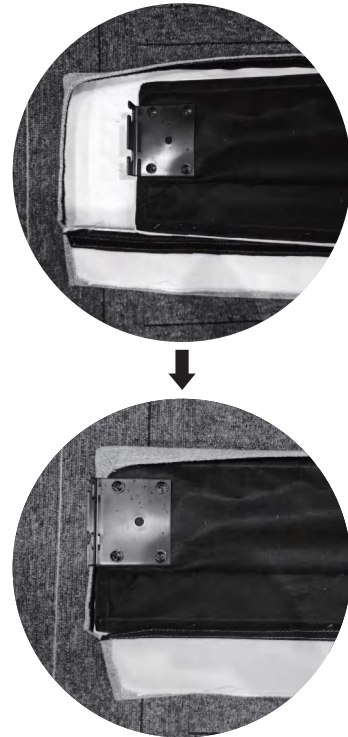
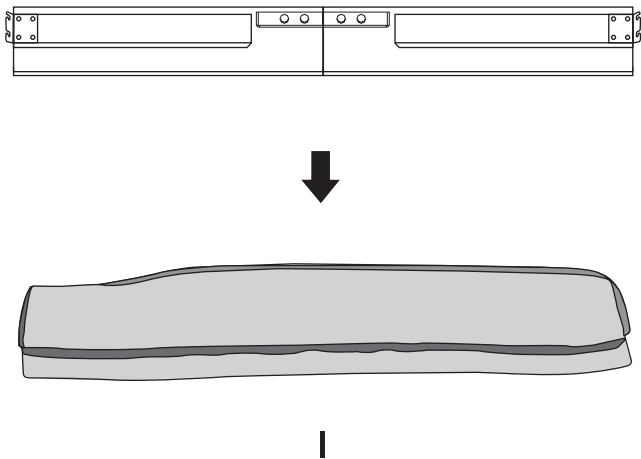
Specific operations are shown in the following figure

Assemble the front panel



STEP 5: Place the connecting rod on the front baffle and align the four short screws with the screw holes

Put on the outer sleeves



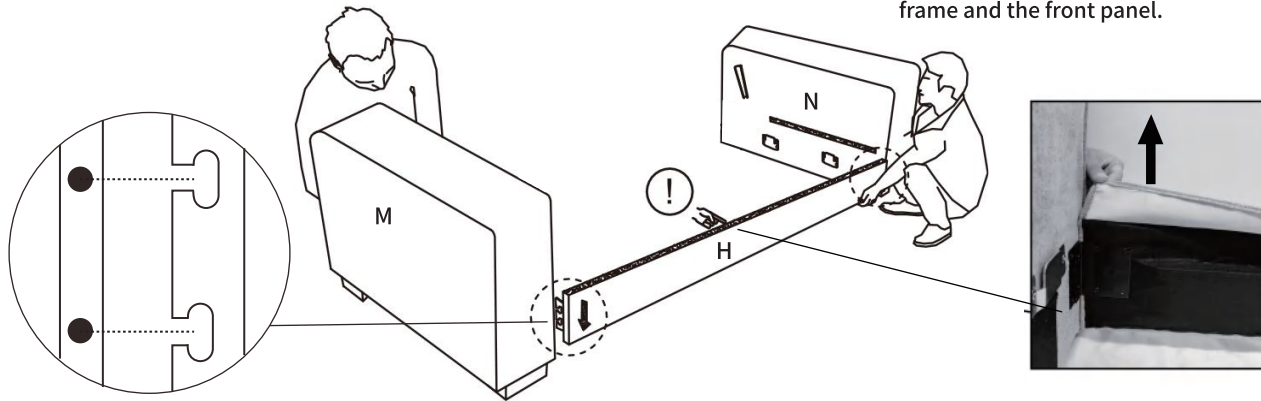
STEP 6: Stuff the Front panel into the cover.

Installation Procedure

Specific operations are shown in the following figure

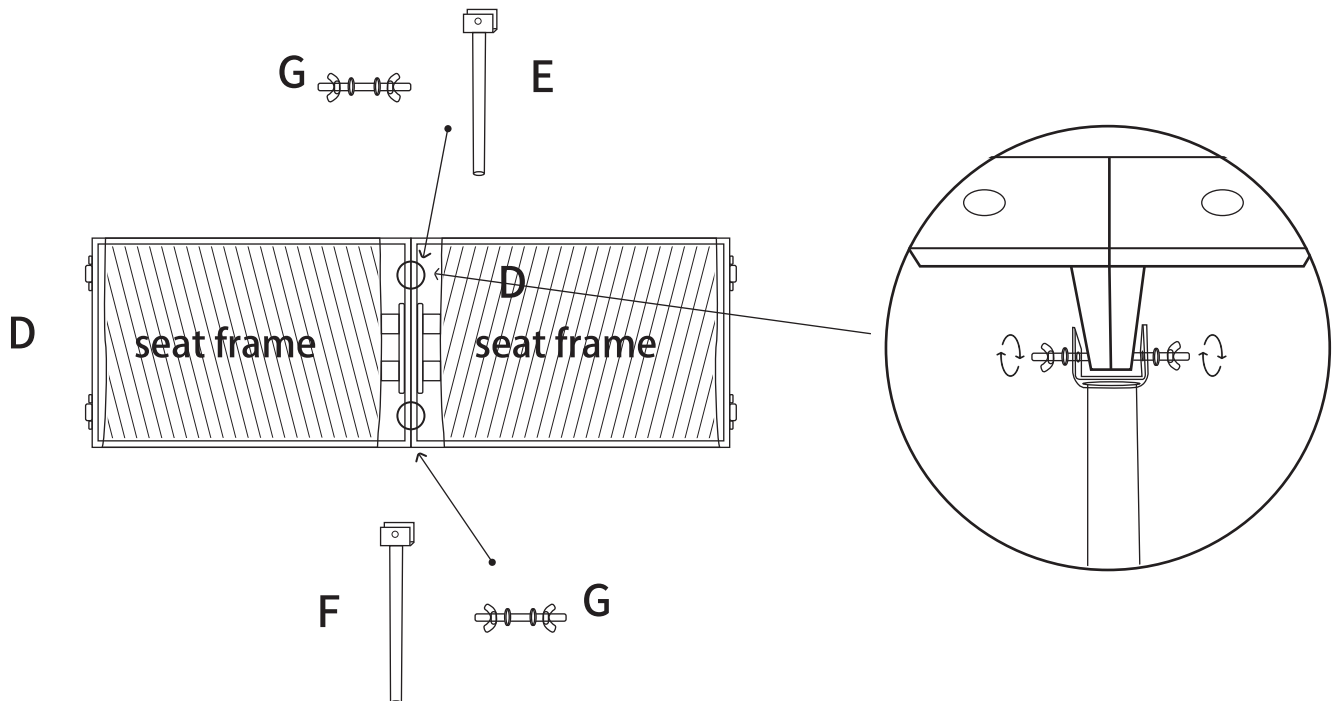
2 arms connect with front panel

NOTICE: When assembling, the longer fabric side is facing up, which is designed for use and aesthetic reasons. The longer fabric will fill the gap between the seat frame and the front panel.



Step 7: To attach the 2 arms with the front panel slide the connectors of the front panel into the armrest's receivers.

Assemble 2 legs of the seat frame

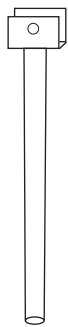
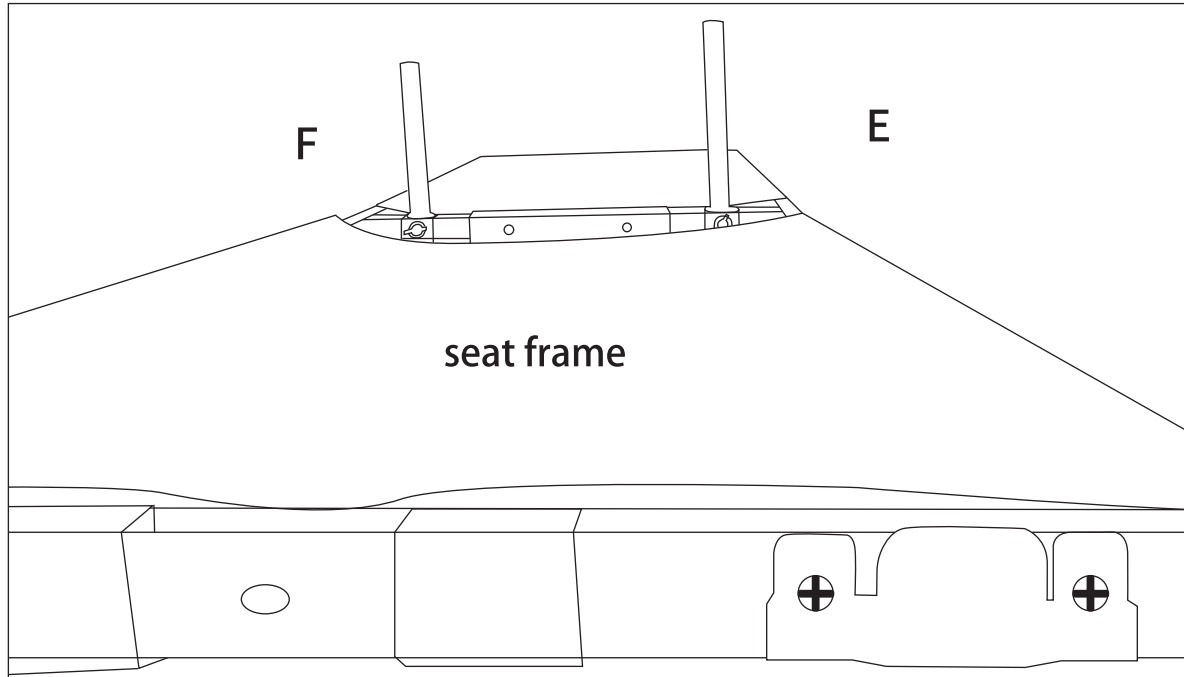


Step 8: Place the support one front and one back in the corresponding position and tighten the screws

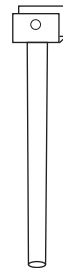
Installation Procedure

Specific operations are shown in the following figure

Details about the assembling of the legs



Long support leg(E)



Short support leg(F)



Attention: The legs are of different lengths

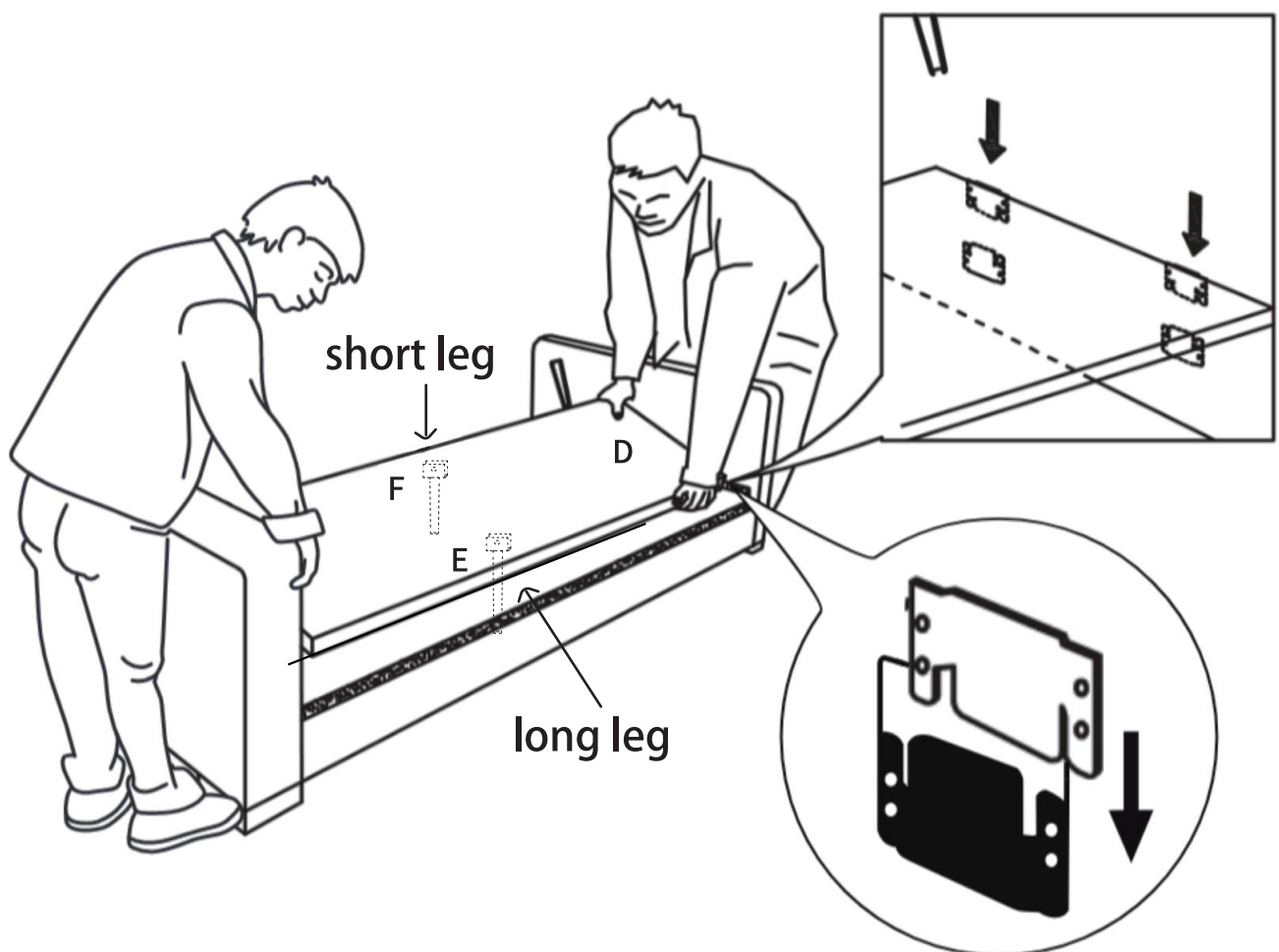
Step 9: To be more ergonomic ,the legs are of different lengths.

When assembling ,in load-bearing position (sit down /butt position) you should use the short leg F.

Installation Procedure

Specific operations are shown in the following figure

Connect the seat frame with the armrest

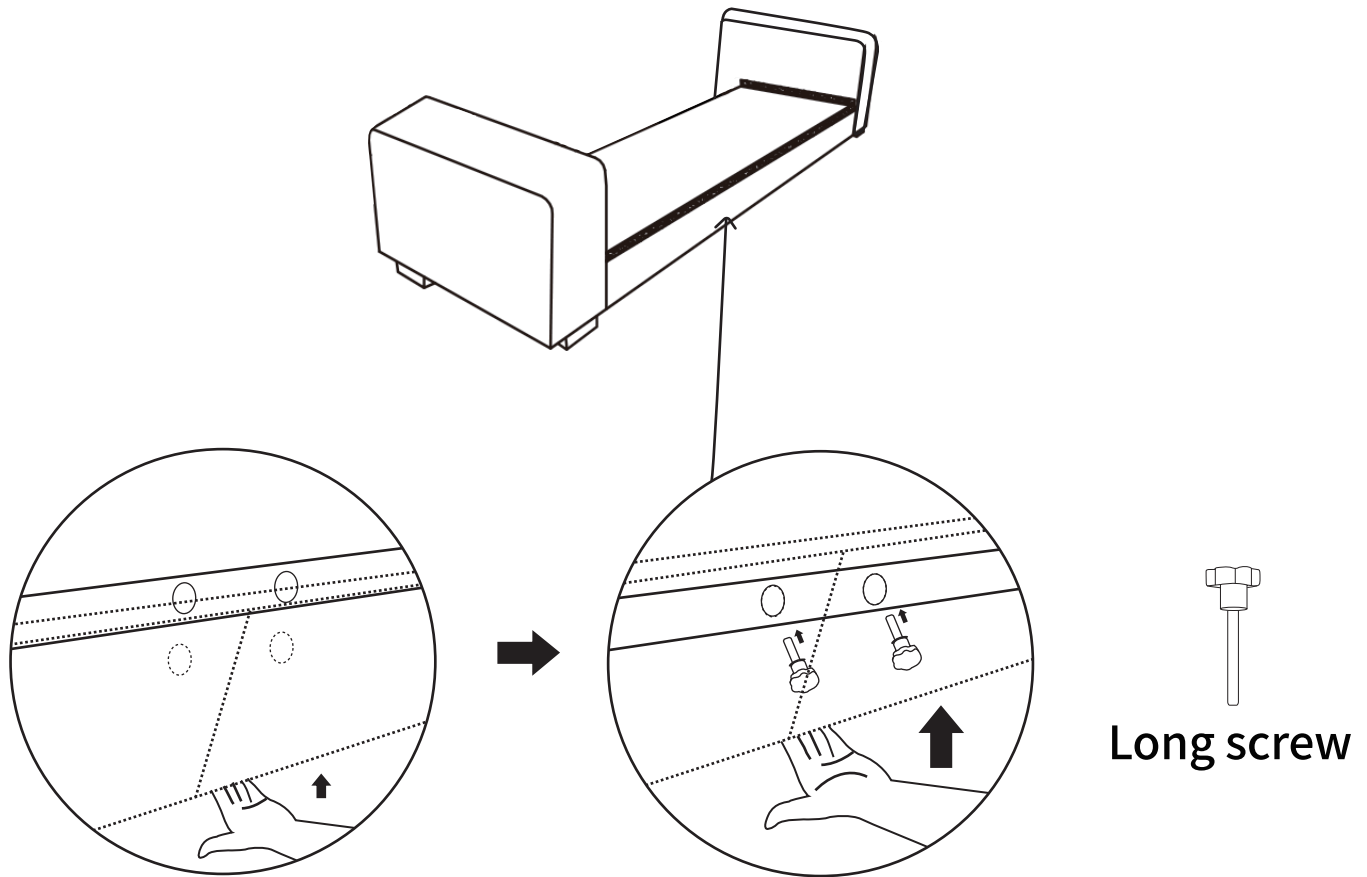


Step 10: To attach the seat base, connect seat's connectors into the arms' receivers. (align, push down to slide into place)

Installation Procedure

Specific operations are shown in the following figure

Connect the front panel with the seat frame

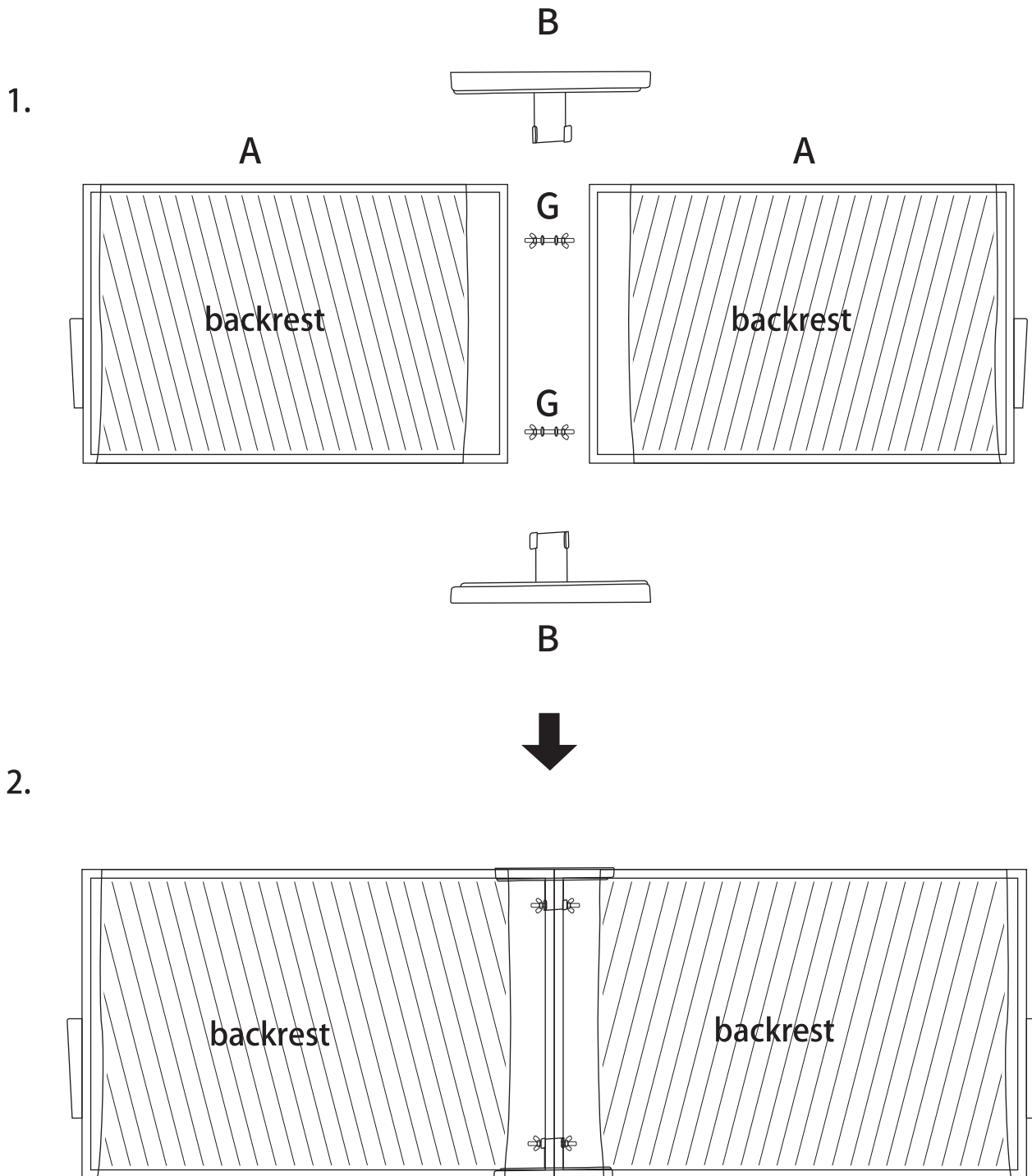


Step 11: Special attention is required in the steps of connecting the front panel with the seat frame. For gravity reasons, the holes in the front panel will not be the same height as the holes in the sofa seat frame. So you need to lift the front panel with your hand, to make sure the 4 holes in the same height, and then tighten it with screws.

Installation Procedure

Specific operations are shown in the following figure

Assemble the backrest

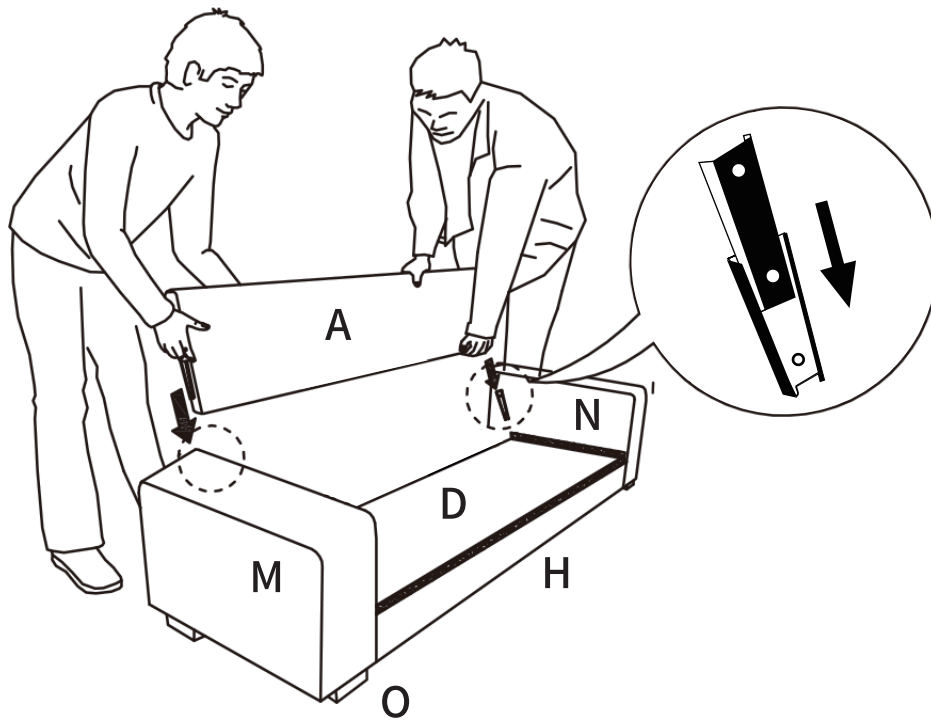


Step 12: When B fastener is connected to A, push the fabric aside. After it is completely stuck, restore it to the original shape and tighten the screws

Installation Procedure

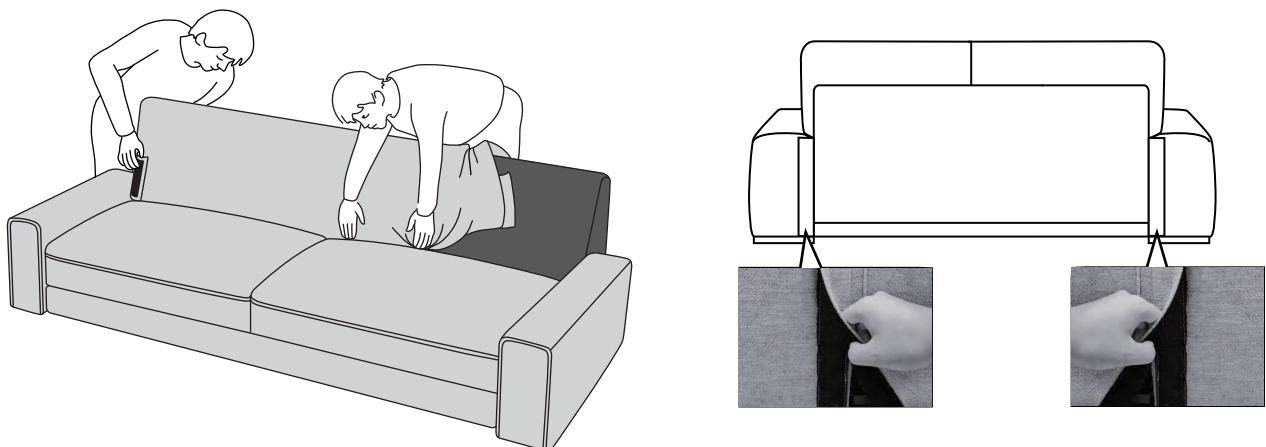
Specific operations are shown in the following figure

Connect the backrest with the armrest



Step 13: To attach the backrest, slide the connectors of the backrest into the arm receivers.

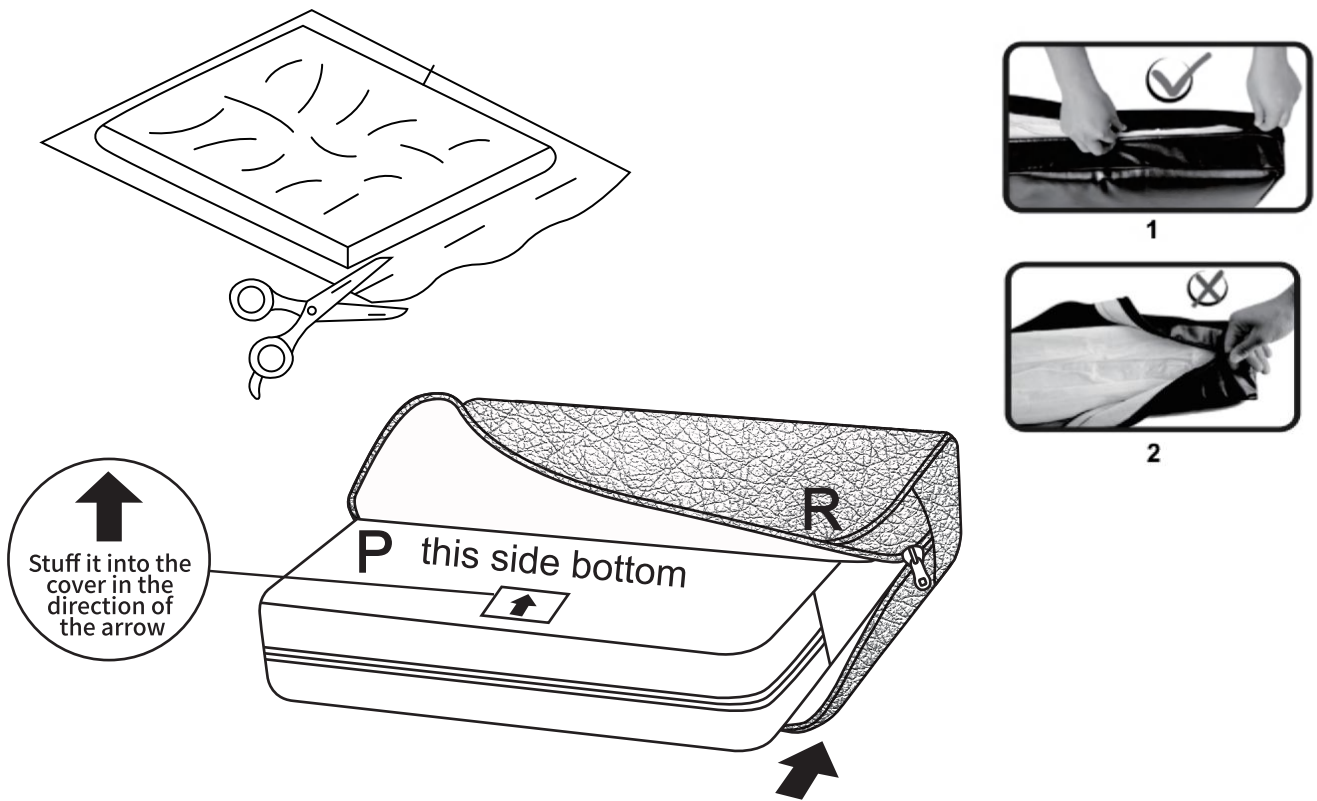
Note: Team work, angle, align and push down slowly.



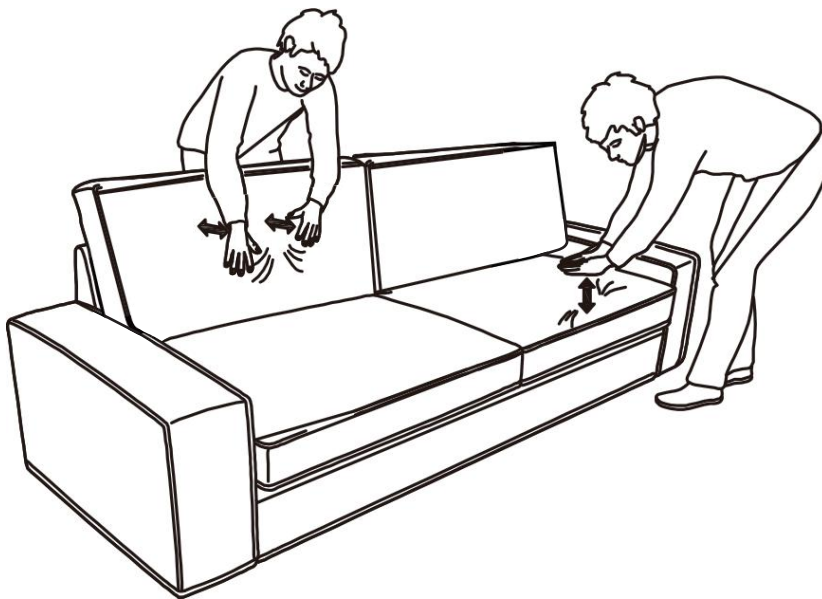
Step 14: Put the cover onto the backrest. Paste the velcro of backrest onto the arms and the bottom

Installation Procedure

Specific operations are shown in the following figure



Step 15: Open the bag and get the seat cushions out. Stuff it into the seat cushion cover in the direction of the arrow. Zip it up as picture 1. Note: It will take about 48 hours for the cushion to expand completely.



Step 16: Place the cushions and pat it to smooth out the wrinkle.

Installation Procedure

Specific operations are shown in the following figure



Should you have any questions,
don't hesitate to reach out to us!

After-Sales Service Support :

Toll Free Hot Line: (+1) 877-716-5001

Monday-Friday (9:00am-6:00pm)

Email: service@energyfic.com



Scan the QR code and register to extend the
warranty to 2 years!

